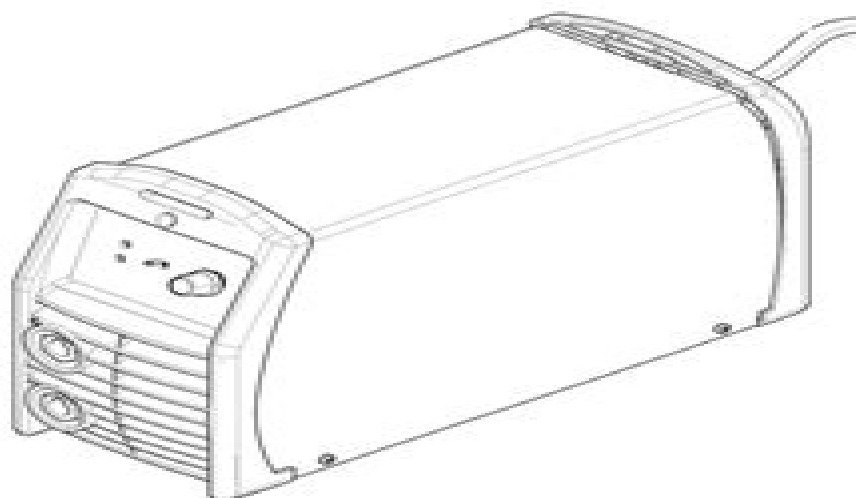




Operator's Manual

Inverter Arc™ 230



For use with Product Numbers:
12745



Register your machine:

www.lincolnelectric.com/register

Authorized Service and Distributor Locator:

www.lincolnelectric.com/locator

Save for future reference

Date Purchased

Code: (ex: 10559)

Serial: (ex: U1060512345)

Need Help? Call 1.888.935.3877
to talk to a Service Representative

Hours of Operation:

8:00 AM to 5:00 PM (ET) Mon. thru Fri.

After hours?

Use "Ask the Experts" at lincolnelectric.com.
A Lincoln Service Representative will contact you
no later than the following business day.

For Service outside the USA:

Email: globalservice@lincolnelectric.com

Operator Manual Century 20x20x38

Rachel Sandford



Operator Manual Century 20x20x38:

Commerce Business Daily ,1999 Operator's Manual ,1991 Operator's Manual ,1990 **Operator's Manual**
,1991 **Operator's Manual** ,1991 **Operator's Manual** ,1990 **Operator's Manual** ,1988 Operator's Manual
,1983 **Operator's Manual for Truck, Tractor, 22 1/2-ton, 8 X 8, M746, (NSN 2320-00-089-7264).** ,1976
 Operator's Manual for Combat Vehicle, Anti-tank, Improved Tow Vehicle, M901, NSN 2350-01-045-1123 ,1989
 Operator's Manual ,1986 **Operator's Manual** ,1989 Operator's Manual ,1990 **Operator's manual,**
operator controls and PMCS ,1991 **Operator's Manual** ,1992 **Operator's Manual** ,1991 Operator's Manual
,1990 **Operator's Manual** ,1985 *Operator's Manual* ,1990 **Operator's Manual** ,1984

Ignite the flame of optimism with Crafted by is motivational masterpiece, Find Positivity in **Operator Manual Century 20x20x38** . In a downloadable PDF format (PDF Size: *), this ebook is a beacon of encouragement. Download now and let the words propel you towards a brighter, more motivated tomorrow.

<https://crm.avenza.com/book/Resources/HomePages/quiz%206%201b%20statistics.pdf>

Table of Contents Operator Manual Century 20x20x38

1. Understanding the eBook Operator Manual Century 20x20x38
 - The Rise of Digital Reading Operator Manual Century 20x20x38
 - Advantages of eBooks Over Traditional Books
2. Identifying Operator Manual Century 20x20x38
 - Exploring Different Genres
 - Considering Fiction vs. Non-Fiction
 - Determining Your Reading Goals
3. Choosing the Right eBook Platform
 - Popular eBook Platforms
 - Features to Look for in an Operator Manual Century 20x20x38
 - User-Friendly Interface
4. Exploring eBook Recommendations from Operator Manual Century 20x20x38
 - Personalized Recommendations
 - Operator Manual Century 20x20x38 User Reviews and Ratings
 - Operator Manual Century 20x20x38 and Bestseller Lists
5. Accessing Operator Manual Century 20x20x38 Free and Paid eBooks
 - Operator Manual Century 20x20x38 Public Domain eBooks
 - Operator Manual Century 20x20x38 eBook Subscription Services
 - Operator Manual Century 20x20x38 Budget-Friendly Options
6. Navigating Operator Manual Century 20x20x38 eBook Formats

- ePub, PDF, MOBI, and More
 - Operator Manual Century 20x20x38 Compatibility with Devices
 - Operator Manual Century 20x20x38 Enhanced eBook Features
7. Enhancing Your Reading Experience
 - Adjustable Fonts and Text Sizes of Operator Manual Century 20x20x38
 - Highlighting and Note-Taking Operator Manual Century 20x20x38
 - Interactive Elements Operator Manual Century 20x20x38
 8. Staying Engaged with Operator Manual Century 20x20x38
 - Joining Online Reading Communities
 - Participating in Virtual Book Clubs
 - Following Authors and Publishers Operator Manual Century 20x20x38
 9. Balancing eBooks and Physical Books Operator Manual Century 20x20x38
 - Benefits of a Digital Library
 - Creating a Diverse Reading Collection Operator Manual Century 20x20x38
 10. Overcoming Reading Challenges
 - Dealing with Digital Eye Strain
 - Minimizing Distractions
 - Managing Screen Time
 11. Cultivating a Reading Routine Operator Manual Century 20x20x38
 - Setting Reading Goals Operator Manual Century 20x20x38
 - Carving Out Dedicated Reading Time
 12. Sourcing Reliable Information of Operator Manual Century 20x20x38
 - Fact-Checking eBook Content of Operator Manual Century 20x20x38
 - Distinguishing Credible Sources
 13. Promoting Lifelong Learning
 - Utilizing eBooks for Skill Development
 - Exploring Educational eBooks
 14. Embracing eBook Trends
 - Integration of Multimedia Elements
 - Interactive and Gamified eBooks

Operator Manual Century 20x20x38 Introduction

Free PDF Books and Manuals for Download: Unlocking Knowledge at Your Fingertips In today's fast-paced digital age, obtaining valuable knowledge has become easier than ever. Thanks to the internet, a vast array of books and manuals are now available for free download in PDF format. Whether you are a student, professional, or simply an avid reader, this treasure trove of downloadable resources offers a wealth of information, conveniently accessible anytime, anywhere. The advent of online libraries and platforms dedicated to sharing knowledge has revolutionized the way we consume information. No longer confined to physical libraries or bookstores, readers can now access an extensive collection of digital books and manuals with just a few clicks. These resources, available in PDF, Microsoft Word, and PowerPoint formats, cater to a wide range of interests, including literature, technology, science, history, and much more. One notable platform where you can explore and download free Operator Manual Century 20x20x38 PDF books and manuals is the internet's largest free library. Hosted online, this catalog compiles a vast assortment of documents, making it a veritable goldmine of knowledge. With its easy-to-use website interface and customizable PDF generator, this platform offers a user-friendly experience, allowing individuals to effortlessly navigate and access the information they seek. The availability of free PDF books and manuals on this platform demonstrates its commitment to democratizing education and empowering individuals with the tools needed to succeed in their chosen fields. It allows anyone, regardless of their background or financial limitations, to expand their horizons and gain insights from experts in various disciplines. One of the most significant advantages of downloading PDF books and manuals lies in their portability. Unlike physical copies, digital books can be stored and carried on a single device, such as a tablet or smartphone, saving valuable space and weight. This convenience makes it possible for readers to have their entire library at their fingertips, whether they are commuting, traveling, or simply enjoying a lazy afternoon at home. Additionally, digital files are easily searchable, enabling readers to locate specific information within seconds. With a few keystrokes, users can search for keywords, topics, or phrases, making research and finding relevant information a breeze. This efficiency saves time and effort, streamlining the learning process and allowing individuals to focus on extracting the information they need. Furthermore, the availability of free PDF books and manuals fosters a culture of continuous learning. By removing financial barriers, more people can access educational resources and pursue lifelong learning, contributing to personal growth and professional development. This democratization of knowledge promotes intellectual curiosity and empowers individuals to become lifelong learners, promoting progress and innovation in various fields. It is worth noting that while accessing free Operator Manual Century 20x20x38 PDF books and manuals is convenient and cost-effective, it is vital to respect copyright laws and intellectual property rights. Platforms offering free downloads often operate within legal boundaries, ensuring that the materials they provide are either in the public domain or authorized for distribution. By adhering to copyright laws, users can enjoy the benefits of free access to knowledge while supporting the authors and

publishers who make these resources available. In conclusion, the availability of Operator Manual Century 20x20x38 free PDF books and manuals for download has revolutionized the way we access and consume knowledge. With just a few clicks, individuals can explore a vast collection of resources across different disciplines, all free of charge. This accessibility empowers individuals to become lifelong learners, contributing to personal growth, professional development, and the advancement of society as a whole. So why not unlock a world of knowledge today? Start exploring the vast sea of free PDF books and manuals waiting to be discovered right at your fingertips.

FAQs About Operator Manual Century 20x20x38 Books

1. Where can I buy Operator Manual Century 20x20x38 books? Bookstores: Physical bookstores like Barnes & Noble, Waterstones, and independent local stores. Online Retailers: Amazon, Book Depository, and various online bookstores offer a wide range of books in physical and digital formats.
2. What are the different book formats available? Hardcover: Sturdy and durable, usually more expensive. Paperback: Cheaper, lighter, and more portable than hardcovers. E-books: Digital books available for e-readers like Kindle or software like Apple Books, Kindle, and Google Play Books.
3. How do I choose a Operator Manual Century 20x20x38 book to read? Genres: Consider the genre you enjoy (fiction, non-fiction, mystery, sci-fi, etc.). Recommendations: Ask friends, join book clubs, or explore online reviews and recommendations. Author: If you like a particular author, you might enjoy more of their work.
4. How do I take care of Operator Manual Century 20x20x38 books? Storage: Keep them away from direct sunlight and in a dry environment. Handling: Avoid folding pages, use bookmarks, and handle them with clean hands. Cleaning: Gently dust the covers and pages occasionally.
5. Can I borrow books without buying them? Public Libraries: Local libraries offer a wide range of books for borrowing. Book Swaps: Community book exchanges or online platforms where people exchange books.
6. How can I track my reading progress or manage my book collection? Book Tracking Apps: Goodreads, LibraryThing, and Book Catalogue are popular apps for tracking your reading progress and managing book collections. Spreadsheets: You can create your own spreadsheet to track books read, ratings, and other details.
7. What are Operator Manual Century 20x20x38 audiobooks, and where can I find them? Audiobooks: Audio recordings of books, perfect for listening while commuting or multitasking. Platforms: Audible, LibriVox, and Google Play Books offer a wide selection of audiobooks.

8. How do I support authors or the book industry? Buy Books: Purchase books from authors or independent bookstores. Reviews: Leave reviews on platforms like Goodreads or Amazon. Promotion: Share your favorite books on social media or recommend them to friends.
9. Are there book clubs or reading communities I can join? Local Clubs: Check for local book clubs in libraries or community centers. Online Communities: Platforms like Goodreads have virtual book clubs and discussion groups.
10. Can I read Operator Manual Century 20x20x38 books for free? Public Domain Books: Many classic books are available for free as they're in the public domain. Free E-books: Some websites offer free e-books legally, like Project Gutenberg or Open Library.

Find Operator Manual Century 20x20x38 :

[quiz 6 1b statistics](#)

[question paper agric 2013 grade 11 nov](#)

[quickbooks pro 2012 license and product number](#)

[question paper grade 1 november 2013 geography](#)

quicksilver commander 2015 installation maintenance manual

[quickbooks 2012 the official guide book](#)

question paper 1 topics chapter for examination mathematics grade 12

[quiz on graphing coordinates](#)

[questions guide for style for julius caesar](#)

questions of travel and tourism grade eleven

[quick 2 chapter end of questions](#)

[quick guide to cubase 7 element](#)

[quickbooks fundamentals learning guide 2014 intuit](#)

questions for novel comprehension guide sixth grade

quickbooks professional advisors program training guide

Operator Manual Century 20x20x38 :

[d1703 engine parts for your compact tractor shop4trac - Mar 10 2023](#)

[web thermostat kubota shibaura 41 53 inc vat add to cart piston rings kubota d1703 v2203 idi v2403 idi engine suitable for](#)

kubota v2203 31 82 inc vat add to cart glow plug glow coil kubota d1403 d1503 d1703 v1903 v2003 v2203 v2403 19 96 inc vat add to cart

kubota d1703 b manuals manualslib - Apr 30 2022

web kubota d1703 b manuals manuals and user guides for kubota d1703 b we have 2 kubota d1703 b manuals available for free pdf download workshop manual

kubota d1703 specifications technical data 2021 2023 - Jan 08 2023

web see detailed specifications and technical data for kubota engines manufactured in 2021 2023 get more in depth insight with kubota d1703 specifications on lectura specs

kubota d1703 m e3 manuals manualslib - Jan 28 2022

web manuals and user guides for kubota d1703 m e3 we have 3 kubota d1703 m e3 manuals available for free pdf download operator s manual kubota d1703 m e3 operator s manual 74 pages

kubota d1402 d1703 v1902 v2003 v2203 v2403 engine oil filter - Oct 05 2022

web mar 2 2023 find many great new used options and get the best deals for kubota d1402 d1703 v1902 v2003 v2203 v2403 engine oil filter 700036 at the best online prices at ebay free shipping for many products

kubota d1703 engine maintenance data and service information - May 12 2023

web service air filter every 100 hours check battery every 100 hours check belt tension every 100 hours change engine oil every 200 hours replace oil filter every 200 hours replace fuel filter every 400

kubota d1703 engine components for sale 3 listings tractorhouse com - Feb 26 2022

web this is a used bare block taken from a kubota l3400 tractor but may fit additional kubota d1703 applications 1 70 liters diesel engine block casting no d1703 serial no 4a0705 get shipping quotes apply for financing

cfkit filter kit for kubota l35 w d1703 eng single air filter - Aug 03 2022

web jun 11 2020 buy cfkit filter kit for kubota l35 w d1703 eng single air filter no cab air filter air filters amazon com free delivery possible on eligible purchases

product detail product search kubota engine division - Jul 02 2022

web engine model d1703 m e2b emission regulation epa carb tier 2 level eu stage iii level type vertical water cooled 4 cycle diesel engine cylinders 3 bore and stroke

d1703 kubota 2021 2023 engines spare parts lectura specs - Jul 14 2023

web d1703 kubota 2021 2023 engines spare parts enquire spare parts for d1703 kubota engines from dealers worldwide get hydraulics engine parts filters sealings and many more parts easily save your time and increase chance of locating right part in time at the best price all of this free of charge technical specs parts components

d1703 v1903 v2003t v2203 spin on oil lube filter lf3706 - Feb 09 2023

web shop for kubota s d1703 v1903 v2003t v2203 v3600t diesel engines spin on oil lube filter lf3706 oe s case 126385a1
kubota 1732132430 50 off expedited shipping online 25 off ground online orders

kubota d1703 m bg manuals manualslib - Mar 30 2022

web kubota d1703 m bg manuals manuals and user guides for kubota d1703 m bg we have 1 kubota d1703 m bg manual
available for free pdf download workshop manual

kubota d1703 series engines parts genpac genpac parts - Jun 01 2022

web genpac genuine part genpac air filter of part no af401 1149 is compatible with industrial engine models d1703 e2bg
e2bg approx shipping dimensions length mm 130 width mm 130 height mm 310 weight kg 0 61 always use genuine part to
protect your engine

parts for kubota d1703 - Aug 15 2023

web oil filter txg23fh isuzu 8970298634 starter assy 24v 4 5kw 4bg1 kato 699 47400000 booster brake sr700ls kawasaki
49327 73860 seal kit z70 kobelco px35v00003f1 solenoid valve assy sk30ur 3 komatsu 21y 43 17410 motor accelerator w
cable pc128uu 1 kubota 16285 52032 pump assy fuel d1105 et kyokuto pk82 m5013

bobcat 325 328 329 w kubota d1703 eng service filters kit - Apr 11 2023

web bobcat 325 328 329 w kubota d1703 eng excavators service filters kit fleetguard includes af25551 1 fleetguard air filter
primary replaces 6672467 af25552 2 fleetguard air filter secondary replaces 6672468 lf3400 1 fleetguard lube full flow spin
on replaces 6675517 fs19581 1 fleetguard fuel water separator replaces

industrial diesel engine kubota 03 series 3 cylinder d1703 - Dec 07 2022

web engine specifications dimensions engine model d1703 m di e4b emission regulation epa carb tier 4 nrtc nte test mode eu
stage v type vertical water cooled 4 cycle diesel engine cylinders 3 bore and stroke mm in 87 0 x 92 4 3 43 x

product detail product search kubota engine division - Nov 06 2022

web general specification engine model d1703 m di e4b emission regulation epa carb tier 4 nrtc nte test mode eu stage v
type vertical water cooled 4 cycle diesel engine cylinders 3 bore and stroke mm in 87 0 x 92 4 3 43 x 3 64 displacement l cu
in 1 647 100 5 aspiration naturally aspirated aftertreatment rated output speed 1

specification sheet d1703 e2bg ghaddar - Sep 04 2022

web kubota corporation d1703 e2bg april 2016 items unit specifications engine model d1703 e2bg engine code number
1g982 12000 type vertical water cooled 4 cycle diesel engine number of cylinder 3 cylinder bore mm 87 stroke mm 92 4 oil
filter cartridge 16414 32434 1 φ93 185

kubota d1703 parts new and aftermarket kubota - Jun 13 2023

web kubota d1703 parts new and aftermarket by db tractor the kubota d1703 engine is a vertical liquid cooled 4 cycle 3 cylinder diesel engine with a displacement of 100 cu in it has a gross power output of 34.5 hp and a net of 30 hp with a maximum speed of 3000 rpm its dimensions are length 22.6 in width 20 in height 25 in with a

d1703 kubota australia - Dec 27 2021

web the kubota d1703 is a vertical water cooled 4 cycle diesel engine with a capacity of 30hp at 2800rpm featuring a built in solenoid low fan position and single side serviceability the kubota d1703 offers powerful performance exceptional reliability and a long service life to meet almost any application model comparison download brochure

amazon com making wood tools 2nd edition ebook wilson john - Sep 08 2023

web jan 17 2014 these tools harken to the classic period of woodworking 1700 to 1900 when a student made his tools as part of his education in moving from apprentice to journeyman in the late 1800s a series of changes in

making wood tools by john wilson goodreads - Oct 09 2023

web you will find tools that can be made for woodworking by woodworkers in the wood shop they are insightful of how tools are made inviting to be put to use and worthy of collecting explore this world in making wooden tools with the resources at

making wood tools with john wilson book making wood tools - Jul 06 2023

web making wood tools with john wilson features over 275 photographs and 50 detailed drawings of a dozen wood bodied hand tools and nine tool keeping and holding projects including the home shop workbench

download making wood tools with john wilson traditional - Jul 26 2022

web read download pdf making wood tools with john wilson traditional woodworking tools you can make in your own shop by john wilson update the latest version with high quality try now

making wood tools ebook by john wilson hoopla - Jun 24 2022

web read making wood tools by john wilson for free on hoopla hands on involvement separates the craftsman from the collector whether you are an armchair craftsman hoopladigital.com

read making wood tools 2nd edition john wilson on - Apr 22 2022

web read making wood tools 2nd edition by john wilson online on bookmate hands on involvement separates the craftsman from the collector whether you are an armchair craftsman or a shop dust veteran

making wood tools 2nd edition kindle edition amazon com au - Feb 01 2023

web wood tools became the province of the metal shop what you see in this volume recaptures both the look and the feel of classical wood tools as well as reclaims the making of them by woodworkers themselves you will find tools that can be made for woodworking by woodworkers in the wood shop

making wood tools with john wilson - Sep 27 2022

web making wood tools with john wilson found in departments woodworking click to enlarge quantity in cart none code aq 1157 price 35 96 shipping weight 2 93 lbs in stock quantity free returns for six months learn more traditional woodworking tools you can make in your own shop by john wilson

making wood tools by john wilson overdrive - May 24 2022

web jan 17 2014 making wood tools ebook by john wilson read a sample format ebook author john wilson publisher bookbaby release 17 january 2014 subjects crafts nonfiction find this title in libby the library reading app by overdrive search for a digital library with this title title found at these libraries sorry no libraries found

making wood tools with john wilson book review highland woodworking - Oct 29 2022

web wilson describes how you can make a wide variety of woodworking tools mainly intended for shaping wood as well as a few appliances for holding work and storing tools in addition to describing how to make wooden plane bodies and tool handles wilson devotes considerable attention to making your own blades from readily available o1

making wood tools 2nd edition english edition ebook wilson john - Nov 29 2022

web wood tools became the province of the metal shop what you see in this volume recaptures both the look and the feel of classical wood tools as well as reclaims the making of them by woodworkers themselves you will find tools that can be made for woodworking by woodworkers in the wood shop

making wood tools with john wilson woodenboatstore.com - Aug 27 2022

web making wood tools with john wilson no reviews price 39 95 quantity add to cart description second edition by john wilson there s a nice write up by greg rossel in woodenboat 229 nov dec 2012

making wood tools 2nd edition kindle edition amazon.co.uk - Mar 02 2023

web these tools harken to the classic period of woodworking 1700 to 1900 when a student made his tools as part of his education in moving from apprentice to journeyman in the late 1800s a series of changes in how wood tools were made took place

making wood tools 2nd edition ebook wilson john - Dec 31 2022

web you will find tools that can be made for woodworking by woodworkers in the wood shop they are insightful of how tools are made inviting to be put to use and worthy of collecting explore this world in making wooden tools

making wood tools with john wilson traditional woodworking tools - Mar 22 2022

web find many great new used options and get the best deals for making wood tools with john wilson 3a traditional woodworking tools you can make in your own shop by john wilson 282014 2c hardcover 29 at the best online prices at ebay

making wood tools 3rd edition lee valley tools - May 04 2023

web besides providing measured drawings and detailed instructions for crafting the tools wilson explains the design

considerations for each tool in depth helping you customize it to your preferences a section on blade making presents basic metalworking showing how to shape and sharpen blades out of steel blanks and even heat treat them with a

making wood tools 2nd edition by john wilson ebook - Aug 07 2023

web you will find tools that can be made for woodworking by woodworkers in the wood shop they are insightful of how tools are made inviting to be put to use and worthy of collecting explore this world in making wooden tools with the resources at [john wilson s making wooden tools get some for free](#) - Feb 18 2022

web apr 25 2013 john wilson s making wooden tools get some for free posted on april 25 2013 by lost art press in the woodworking world you won t find anyone more practical or resourceful than john wilson of the home shop in charlotte mich virtually everything on his property was made by his own hands

making wood tools 2nd edition by john wilson barnes noble - Apr 03 2023

web jan 17 2014 you will find tools that can be made for woodworking by woodworkers in the wood shop they are insightful of how tools are made inviting to be put to use and worthy of collecting explore this world in making wooden tools

making wood tools with john wilson google books - Jun 05 2023

web feb 15 2014 making wood tools with john wilson 2nd edition adds 5 new tool projects to the 12 original ones in edition i these are a varoety of tool holding and workbnech projects as well in all cases

[zenith global imports simulation questions pdf copy](#) - Sep 28 2022

web introduction zenith global imports simulation questions pdf copy inventing the future nick srnicek 2015 11 17 a major new manifesto for the end of capitalism neoliberalism isn t working

[zenith global imports simulation questions pdf emidproxy](#) - Jun 25 2022

web zenith global imports simulation questions book review unveiling the magic of language in an electronic era where connections and knowledge reign supreme the enchanting power of language has be much more apparent than ever

[zenith global imports simulation questions pdf uniport edu](#) - Apr 04 2023

web you could purchase guide zenith global imports simulation questions or get it as soon as feasible you could quickly download this zenith global imports simulation questions after getting deal so in the manner of you require the ebook swiftly you can straight acquire it its thus no question simple and suitably fats isnt it

[zenith global imports simulation questions 2023 cpanel urbnleaf](#) - Feb 02 2023

web observational evidence that cloud feedback amplifies global pnas org axt reply to the second round audit inquiry letter on application marketscreener com

zenith global imports simulation questions pdf uniport edu - May 25 2022

web apr 2 2023 right here we have countless ebook zenith global imports simulation questions and collections to check out

we additionally provide variant types and as a consequence type of the books to browse

zenith global imports simulation answers pdf - Jul 07 2023

web jun 21 2023 this zenith global imports simulation answers by online you might not require more times to spend to go to the book establishment as capably as search for them in some cases you likewise realize not discover the broadcast zenith global imports simulation answers that you are looking for it will definitely squander the time

zenith global imports simulation questions pdf 2023 - Apr 23 2022

web jun 30 2023 zenith global imports simulation questions pdf is available in our book collection an online access to it is set as public so you can get it instantly our digital library saves in multiple countries allowing you to get the most less latency

zenith global imports simulation questions pdf uniport edu - Jun 06 2023

web sep 2 2023 zenith global imports simulation questions by online you might not require more mature to spend to go to the books commencement as competently as search for them in some cases you likewise pull off not discover the statement zenith global imports simulation questions that you are looking for it will extremely squander the time

zenith global imports simulation questions dtzconline - May 05 2023

web global imports simulation questions a literary masterpiece penned by way of a renowned author readers embark on a transformative journey unlocking the secrets and untapped potential embedded within each word

zenith global imports simulation questions book - Oct 10 2023

web zenith global imports simulation questions an international accounting practice set mar 02 2022 in an international accounting practice set the only currently available simulation for international accounting business and accounting students assume the role of a newly hired employee in the international accounting

zenith global imports manual simulation answer key pdf - Sep 09 2023

web zenith global imports manual simulation answer key 2017 07 02 3 13 zenith global imports manual simulation answer key use of simulation exercises for safety training in the u s mining industry 2001 this book introduces a new way of analyzing measuring and thinking about mega risks a

zenith global imports simulation questions pdf usa tgifridays - Jul 27 2022

web zenith global imports simulation questions pdf created date 20220530025743am

zenith global imports automated simulation for century 21 - Jan 01 2023

web zenith global imports automated simulation for century 21 accounting multicolumn journal bluetext eighth edition gilbertson claudia bienas lehman mark w ross kenton e on amazon com free shipping on qualifying offers

zenith global imports simulation questions pdf - Mar 03 2023

web theimplications of the differing degree of import dependence a partial equilibrium econometric model is used to analyze

the reaction of the trade account on external shocks and domestic policies in columbia and ecuador simulations show that the dependence on imported production means can transform an

zenith global imports simulation questions pdf uniport edu - Aug 28 2022

web zenith global imports simulation questions 1 11 downloaded from uniport edu ng on july 18 2023 by guest zenith global imports simulation questions when somebody should go to the book stores search instigation by shop shelf by shelf it is essentially problematic this is why we give the book compilations in this website

questions and answers about zenith global logistics indeed - Feb 19 2022

web find 138 questions and answers about working at zenith global logistics learn about the interview process employee benefits company culture and more on indeed 48 questions about working at zenith global logistics what is covered by the life insurance at zenith global logistics asked july 14 2023 answer be the first to answer

zenith global imports simulation questions 2023 - Aug 08 2023

web zenith global imports simulation questions 3 3 case example also includes an illustrated armamentarium of the materials and instruments necessary for the practical implementation of the

zenith global imports simulation questions pdf - Oct 30 2022

web zenith global imports simulation questions a level chemistry challenging drill questions yellowreef jul 30 2022 according to syllabus for exam up to year 2017 completely covers all question types since 2003 full set of step by step solution approaches sold separately answer keys provided provides teachers comments

zenith global imports simulation questions pdf uniport edu - Nov 30 2022

web zenith global imports simulation questions 2 9 downloaded from uniport edu ng on july 7 2023 by guest governance in the 21st century oecd 2001 04 27 this book explores some of the opportunities and risks economic social and technological that decision makers will have to address and outlines what

zenith global imports simulation answers stage gapinc - Mar 23 2022

web 6 zenith global imports simulation answers 2022 08 11 skeptics without models there are no data today no collection of signals or observations even from satellites which can see the whole planet with a single instrument becomes global in time and space without passing through a series of data models everything we