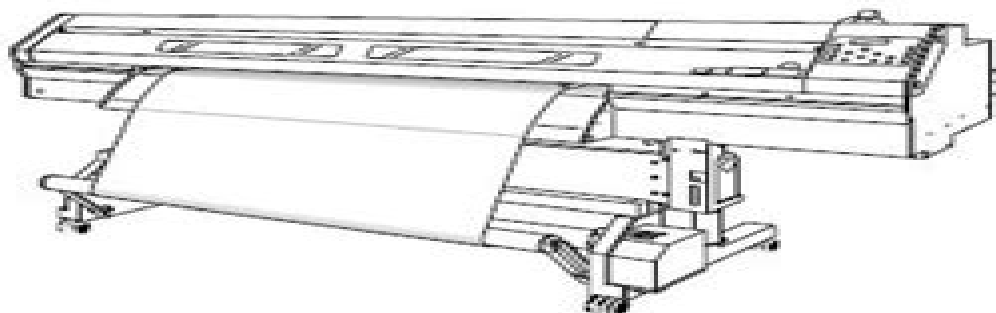


SOLJET PRO III XC-540

SIGN MAKER BY ROLAND DG CORPORATION

Confidential



TERMS OF USE

Users of this Service Note shall be deemed to agree with the following Terms of Use.

1. USERS

This Service Note is only for authorized persons with user ID and password issued by Roland DG Corporation.

2. PURPOSE

Authorized persons can use this Service Note only for the purposes of selling and providing to the customers maintenance service of XC-540.

3. REUSE

Authorized persons shall not disclose, transfer, rent or distribute this Service Note to, or allow this Service Note to be used in any manner by, any third party other than authorized persons.

4. REPRODUCTION

Authorized persons shall not copy, change or alter this Service Note without permission of Roland DG Corporation.

5. EFFECT OF VIOLATION

Regardless of circumstances, we will vigorously respond to any violation hereof, through legal action.

Roland DG Corporation

Copyright © 2012 ROLAND DG CORPORATION

Roland Xc 540 Manual

Richard Bailey



Roland Xc 540 Manual:

Decoding **Roland Xc 540 Manual**: Revealing the Captivating Potential of Verbal Expression

In a time characterized by interconnectedness and an insatiable thirst for knowledge, the captivating potential of verbal expression has emerged as a formidable force. Its power to evoke sentiments, stimulate introspection, and incite profound transformations is genuinely awe-inspiring. Within the pages of "**Roland Xc 540 Manual**," a mesmerizing literary creation penned with a celebrated wordsmith, readers embark on an enlightening odyssey, unraveling the intricate significance of language and its enduring effect on our lives. In this appraisal, we shall explore the book's central themes, evaluate its distinctive writing style, and gauge its pervasive influence on the hearts and minds of its readership.

https://crm.avenza.com/About/scholarship/Download_PDFS/performance%20center%20alm%20user%20guide.pdf

Table of Contents Roland Xc 540 Manual

1. Understanding the eBook Roland Xc 540 Manual
 - The Rise of Digital Reading Roland Xc 540 Manual
 - Advantages of eBooks Over Traditional Books
2. Identifying Roland Xc 540 Manual
 - Exploring Different Genres
 - Considering Fiction vs. Non-Fiction
 - Determining Your Reading Goals
3. Choosing the Right eBook Platform
 - Popular eBook Platforms
 - Features to Look for in an Roland Xc 540 Manual
 - User-Friendly Interface
4. Exploring eBook Recommendations from Roland Xc 540 Manual
 - Personalized Recommendations
 - Roland Xc 540 Manual User Reviews and Ratings
 - Roland Xc 540 Manual and Bestseller Lists

5. Accessing Roland Xc 540 Manual Free and Paid eBooks
 - Roland Xc 540 Manual Public Domain eBooks
 - Roland Xc 540 Manual eBook Subscription Services
 - Roland Xc 540 Manual Budget-Friendly Options
6. Navigating Roland Xc 540 Manual eBook Formats
 - ePub, PDF, MOBI, and More
 - Roland Xc 540 Manual Compatibility with Devices
 - Roland Xc 540 Manual Enhanced eBook Features
7. Enhancing Your Reading Experience
 - Adjustable Fonts and Text Sizes of Roland Xc 540 Manual
 - Highlighting and Note-Taking Roland Xc 540 Manual
 - Interactive Elements Roland Xc 540 Manual
8. Staying Engaged with Roland Xc 540 Manual
 - Joining Online Reading Communities
 - Participating in Virtual Book Clubs
 - Following Authors and Publishers Roland Xc 540 Manual
9. Balancing eBooks and Physical Books Roland Xc 540 Manual
 - Benefits of a Digital Library
 - Creating a Diverse Reading Collection Roland Xc 540 Manual
10. Overcoming Reading Challenges
 - Dealing with Digital Eye Strain
 - Minimizing Distractions
 - Managing Screen Time
11. Cultivating a Reading Routine Roland Xc 540 Manual
 - Setting Reading Goals Roland Xc 540 Manual
 - Carving Out Dedicated Reading Time
12. Sourcing Reliable Information of Roland Xc 540 Manual
 - Fact-Checking eBook Content of Roland Xc 540 Manual
 - Distinguishing Credible Sources
13. Promoting Lifelong Learning

- Utilizing eBooks for Skill Development
 - Exploring Educational eBooks
14. Embracing eBook Trends
- Integration of Multimedia Elements
 - Interactive and Gamified eBooks

Roland Xc 540 Manual Introduction

In today's digital age, the availability of Roland Xc 540 Manual books and manuals for download has revolutionized the way we access information. Gone are the days of physically flipping through pages and carrying heavy textbooks or manuals. With just a few clicks, we can now access a wealth of knowledge from the comfort of our own homes or on the go. This article will explore the advantages of Roland Xc 540 Manual books and manuals for download, along with some popular platforms that offer these resources. One of the significant advantages of Roland Xc 540 Manual books and manuals for download is the cost-saving aspect. Traditional books and manuals can be costly, especially if you need to purchase several of them for educational or professional purposes. By accessing Roland Xc 540 Manual versions, you eliminate the need to spend money on physical copies. This not only saves you money but also reduces the environmental impact associated with book production and transportation. Furthermore, Roland Xc 540 Manual books and manuals for download are incredibly convenient. With just a computer or smartphone and an internet connection, you can access a vast library of resources on any subject imaginable. Whether you're a student looking for textbooks, a professional seeking industry-specific manuals, or someone interested in self-improvement, these digital resources provide an efficient and accessible means of acquiring knowledge. Moreover, PDF books and manuals offer a range of benefits compared to other digital formats. PDF files are designed to retain their formatting regardless of the device used to open them. This ensures that the content appears exactly as intended by the author, with no loss of formatting or missing graphics. Additionally, PDF files can be easily annotated, bookmarked, and searched for specific terms, making them highly practical for studying or referencing. When it comes to accessing Roland Xc 540 Manual books and manuals, several platforms offer an extensive collection of resources. One such platform is Project Gutenberg, a nonprofit organization that provides over 60,000 free eBooks. These books are primarily in the public domain, meaning they can be freely distributed and downloaded. Project Gutenberg offers a wide range of classic literature, making it an excellent resource for literature enthusiasts. Another popular platform for Roland Xc 540 Manual books and manuals is Open Library. Open Library is an initiative of the Internet Archive, a non-profit organization dedicated to digitizing cultural artifacts and making them accessible to the public. Open Library hosts millions of books, including both public domain works and contemporary titles. It also allows users to borrow digital copies of certain books for a limited

period, similar to a library lending system. Additionally, many universities and educational institutions have their own digital libraries that provide free access to PDF books and manuals. These libraries often offer academic texts, research papers, and technical manuals, making them invaluable resources for students and researchers. Some notable examples include MIT OpenCourseWare, which offers free access to course materials from the Massachusetts Institute of Technology, and the Digital Public Library of America, which provides a vast collection of digitized books and historical documents. In conclusion, Roland Xc 540 Manual books and manuals for download have transformed the way we access information. They provide a cost-effective and convenient means of acquiring knowledge, offering the ability to access a vast library of resources at our fingertips. With platforms like Project Gutenberg, Open Library, and various digital libraries offered by educational institutions, we have access to an ever-expanding collection of books and manuals. Whether for educational, professional, or personal purposes, these digital resources serve as valuable tools for continuous learning and self-improvement. So why not take advantage of the vast world of Roland Xc 540 Manual books and manuals for download and embark on your journey of knowledge?

FAQs About Roland Xc 540 Manual Books

How do I know which eBook platform is the best for me? Finding the best eBook platform depends on your reading preferences and device compatibility. Research different platforms, read user reviews, and explore their features before making a choice. Are free eBooks of good quality? Yes, many reputable platforms offer high-quality free eBooks, including classics and public domain works. However, make sure to verify the source to ensure the eBook credibility. Can I read eBooks without an eReader? Absolutely! Most eBook platforms offer webbased readers or mobile apps that allow you to read eBooks on your computer, tablet, or smartphone. How do I avoid digital eye strain while reading eBooks? To prevent digital eye strain, take regular breaks, adjust the font size and background color, and ensure proper lighting while reading eBooks. What the advantage of interactive eBooks? Interactive eBooks incorporate multimedia elements, quizzes, and activities, enhancing the reader engagement and providing a more immersive learning experience. Roland Xc 540 Manual is one of the best book in our library for free trial. We provide copy of Roland Xc 540 Manual in digital format, so the resources that you find are reliable. There are also many Ebooks of related with Roland Xc 540 Manual. Where to download Roland Xc 540 Manual online for free? Are you looking for Roland Xc 540 Manual PDF? This is definitely going to save you time and cash in something you should think about. If you trying to find then search around for online. Without a doubt there are numerous these available and many of them have the freedom. However without doubt you receive whatever you purchase. An alternate way to get ideas is always to check another Roland Xc 540 Manual. This method for see exactly what may be included and

adopt these ideas to your book. This site will almost certainly help you save time and effort, money and stress. If you are looking for free books then you really should consider finding to assist you try this. Several of Roland Xc 540 Manual are for sale to free while some are payable. If you arent sure if the books you would like to download works with for usage along with your computer, it is possible to download free trials. The free guides make it easy for someone to free access online library for download books to your device. You can get free download on free trial for lots of books categories. Our library is the biggest of these that have literally hundreds of thousands of different products categories represented. You will also see that there are specific sites catered to different product types or categories, brands or niches related with Roland Xc 540 Manual. So depending on what exactly you are searching, you will be able to choose e books to suit your own need. Need to access completely for Campbell Biology Seventh Edition book? Access Ebook without any digging. And by having access to our ebook online or by storing it on your computer, you have convenient answers with Roland Xc 540 Manual To get started finding Roland Xc 540 Manual, you are right to find our website which has a comprehensive collection of books online. Our library is the biggest of these that have literally hundreds of thousands of different products represented. You will also see that there are specific sites catered to different categories or niches related with Roland Xc 540 Manual So depending on what exactly you are searching, you will be able to choose ebook to suit your own need. Thank you for reading Roland Xc 540 Manual. Maybe you have knowledge that, people have search numerous times for their favorite readings like this Roland Xc 540 Manual, but end up in harmful downloads. Rather than reading a good book with a cup of coffee in the afternoon, instead they juggled with some harmful bugs inside their laptop. Roland Xc 540 Manual is available in our book collection an online access to it is set as public so you can download it instantly. Our digital library spans in multiple locations, allowing you to get the most less latency time to download any of our books like this one. Merely said, Roland Xc 540 Manual is universally compatible with any devices to read.

Find Roland Xc 540 Manual :

[performance center alm user guide](#)

[performance riding techniques the motogp manual of track riding skills](#)

[perch diagram quiz](#)

[personal finance edition test](#)

[peringkat smk di kebumen 2015](#)

[perdona pero quiero casarme contigo](#)

[perkins operation and maintenance manual 1104d series](#)

[periodic table guide answer sheet](#)

perfectly broken a memoir of rape and redemption

periodic trends test

persephone the daughters of zeus book english edition

percussion only edition an impact soundworks sample

perez fracture mechanics solutions manual

perkins sebu7833 parts names

per una cipolla di tropea italian edition

Roland Xc 540 Manual :

das offizielle instant pot kochbuch weltbild - Nov 29 2022

web apr 16 2018 17 99 instant purchase available on compatible nook devices and the free nook apps want a nook explore now get free ebook sample buy as gift

das offizielle instant pot kochbuch ebook pdf bücher de - Feb 18 2022

web das offizielle instant pot kochbuch 1 st für nur 19 99 bei ihrer online apotheke für deutschland kaufen

kochen mit dem instant pot die 60 besten rezepte amazon de - Jul 26 2022

web das offizielle instant pot kochbuch on amazon com au free shipping on eligible orders das offizielle instant pot kochbuch

das offizielle instant pot kochbuch von coco morante thalia - Sep 08 2023

web das offizielle instant pot kochbuch Über 75 bebilderte rezepte für frühstück hauptgerichte beilagen und desserts für den multifunktionskocher autorisiert von

das offizielle instant pot kochbuch 1 st shop apotheke com - Jan 20 2022

web instant pot kochbuch die besten rezepte für den instant pot eintöpfe curry suppen reis fleisch und fischgerichte zum nachmachen inklusive grundlagen und tipps für

das offizielle instant pot kochbuch Über 75 bebilderte rezepte - Aug 07 2023

web das offizielle instant pot kochbuch Über 75 bebilderte rezepte für frühstück hauptgerichte beilagen und desserts für den multifunktionskocher autorisiert von

das offizielle instant pot kochbuch amazon com au - Jun 24 2022

web isbn 9783742304766 portofrei bestellen bei bucher lüthy das offizielle instant pot kochbuch buch gebunden von morante coco riva verlag besuchen sie uns

das offizielle instant pot kochbuch kotte zeller - May 04 2023

web apr 16 2018 das offizielle instant pot kochbuch morante coco on amazon com free shipping on qualifying offers das

offizielle instant pot kochbuch

das offizielle instant pot kochbuch apple books - Dec 31 2022

web das offizielle instant pot kochbuch Über 75 bebilderte rezepte für frühstück hauptgerichte beilagen und desserts für den multifunktionskocher autorisiert von

das offizielle instant pot kochbuch coco morante eurobuch - Apr 22 2022

web 10 das offizielle instant pot kochbuch einer stunde dampfgaren und eignet sich hervor ragend für festere getreide und bohnen steam dampfgaren im zubehör

das offizielle instant pot kochbuch hardcover april 16 2018 - Apr 03 2023

web das offizielle instant pot kochbuch Über 75 bebilderte rezepte für frühstück hauptgerichte beilagen und desserts für den multifunktionskocher autorisiert von

das offizielle instant pot kochbuch Über 75 bebilderte rezepte - Aug 27 2022

web das offizielle instant pot kochbuch Über 75 bebilderte rezepte für frühstück hauptgerichte beilagen und desserts für den multifunktionskocher autorisiert von

das instant pot kochbuch leichte rezepte für schnelle - Jul 06 2023

web das offizielle instant pot kochbuch Über 75 bebilderte rezepte für frühstück hauptgerichte beilagen und desserts für den multifunktionskocher autorisiert von

das offizielle instant pot kochbuch ebook barnes noble - Oct 29 2022

web der multifunktionskocher instant pot ist schnellkochtopf slow cooker reiskocher bräter warmhalteplatte und dampfgarer in einem man gibt einfach alle zutaten in das

das offizielle instant pot kochbuch Über 75 bebilderte rezepte - Oct 09 2023

web das offizielle instant pot kochbuch Über 75 bebilderte rezepte für frühstück hauptgerichte beilagen und desserts für den multifunktionskocher autorisiert von

amazon com das offizielle instant pot kochbuch Über 75 - Jun 05 2023

web apr 16 2018 buy das offizielle instant pot kochbuch Über 75 bebilderte rezepte für frühstück hauptgerichte beilagen und desserts für den multifunktionskocher

das offizielle instant pot ciando - Mar 22 2022

web ebook epub der multifunktionskocher instant pot ist schnellkochtopf slow cooker reiskocher bräter warmhalteplatte und dampfgarer in einem man gibt einfach alle

das offizielle instant pot kochbuch apple books - Sep 27 2022

web das offizielle instant pot kochbuch Über 75 bebilderte rezepte für frühstück hauptgerichte beilagen und desserts für den

multifunktionskocher autorisiert von

das offizielle instant pot kochbuch morante coco buch - May 24 2022

web das offizielle instant pot kochbuch finden sie alle bücher von coco morante bei der büchersuchmaschine eurobuch com können sie antiquarische und neubücher

das offizielle instant pot kochbuch thalia at - Mar 02 2023

web das offizielle instant pot kochbuch Über 75 bebilderte rezepte für frühstück hauptgerichte beilagen und desserts für den multifunktionskocher autorisiert von

instant pot kochbuch amazon de - Dec 19 2021

instant pot kochbuch die besten rezepte für den instant - Feb 01 2023

web der multifunktionskocher instant pot ist schnellkochtopf slow cooker reiskocher bräter warmhalteplatte und dampfgarer in einem man gibt einfach alle zutaten in das

sample worship service united church of christ - Oct 27 2021

19 free church bulletin templates church programs - Aug 05 2022

web a church institution provides more services to its believers these services include periodically dominicus business weddings funerals baptisms an doctor of clergy etc

free church program template download in word - Jul 16 2023

web church free church program templates rock your design to the perfect tune with free church program templates for your special occasions view the church program

4 church service program templates in pdf doc - Sep 06 2022

web a church institution provides several services for its believers these support contains regular dominicus services weddings funeral baptisms the ordination of clergy etc e

template for church program churchgists com - Apr 01 2022

32 church program examples templates download now - May 02 2022

web sample worship service where is your treasure for 60 years north american churches have joined together in support of the one great hour of sharing offering

16 best church program templates in ai word pages psd - Oct 07 2022

web july 26 2022 sunday church service program sample is an elaborate church order of service template with all the copies

that you need to participate in the greatness of god

4 church service program templates in pdf doc - Mar 12 2023

web 5 steps for creating a church service program 4 church service program templates in pdf doc 1 church children service program 2 church service missionary

church sunday worship event program template vennage - Dec 09 2022

web church program examples church program examples generated 1 free church download comment card 2 free church program 3 church program invitation

92 free church program templates to design and customize for - Jun 15 2023

web worship service program template free template marq home templates booklets church booklets worship worship service program template design eye catching

free 10 church program samples in pdf sample - Feb 11 2023

web 19 free church bulletin templates church programs a church bulletin template is an excellent written tool to communicate what your church is all about through sample

4 church service program templates in pdf doc - Jan 30 2022

worship service program template free template marq - Jan 10 2023

web church service promote your church services on print or social media effectively using professional church service templates from template net

church program template free vectors psds to download - Dec 29 2021

32 church program examples templates download now - Jun 03 2022

web our liberate the program templates are professional designed for you and can help you create amazing sanctuary program in an few clicked

15 best church program examples templates download now - May 14 2023

web create make a light church event program and more with this customizable church sunday worship event program template add a professional color scheme utilize a

4 church service program templates in pdf doc - Feb 28 2022

church program examples 32 templates - Nov 08 2022

web church program examples church programs example templates 1 free pfarrei user comment card 2 free church program

3 church program invited letter 4

free church service program templates adobe express - Aug 17 2023

web view the church program templates and pick the best one they think to tailor for your real needs get free church choose samples on this post as well as tips about how you can

92 free church program templates to design and customize for - Nov 27 2021

free printable customizable church program - Sep 18 2023

web free church service program templates adobe express choose from dozens of online church program template ideas from adobe express to help you easily create your

92 free church program templates to design and customize for - Apr 13 2023

web 1 church christmas program template 2 church funeral program tri fold brochure template 3 church musical program 4 pastors anniversary church program

church service template net - Jul 04 2022

web find download free graphic resources for church program template 97 000 vectors stock photos psd files free for commercial use high quality images you

unsere asiatische zukunft von parag khanna buch 978 3 - Feb 09 2023

web zum portrait 5 5 bewertet buch gebundene ausgabe der inder khanna betrachtet die geschichte die gegenwart und die zukunft aus asiatischer sicht man kann davon ausgehen dass der einfluss asiens auf die wirtschaft und die politik in naher zukunft noch zunehmen wird interessant und aufschlussreich

parag khanna wikipedia - Jan 28 2022

web parag khanna 27 juli 1977 in kanpur ist ein indisch amerikanischer politikwissenschaftler strategieberater und publizist er ist gründer und geschäftsführender partner von futuremap einem daten und szenariobasierten strategieberatungsunternehmen 1 2 inhaltsverzeichnis 1 leben 2 schriften auswahl

deutsch parag khanna - Jul 02 2022

web unsere asiatische zukunft das 19 war das europäische das 20 das amerikanische jahrhundert und das 21 wird das asiatische jahrhundert sein asien heißt heute viereinhalb milliarden menschen zwei drittel der megacitys unseres planeten zwei drittel des weltweiten wirtschaftswachstums tendenz weiter steigend

asien ist mehr als china nzz neue zürcher zeitung - Dec 27 2021

web oct 17 2019 asien ist mehr als china asien ist im umbau die baustelle für eine strecke für hochgeschwindigkeitszüge in indonesien bild willy kurniawan reuters interview china ist weder der

buch rezension unsere asiatische zukunft von parag ifair - Mar 30 2022

web mar 18 2020 das asiatische system sei mehr von stabilität und durchlässigkeit zwischen den subregionen geprägt als von hierarchie bestimmt khanna konstatiert einleuchtend deshalb wird es keine chinesische unipolarität geben weder global noch auf asien begrenzt s 28

parag khanna unsere asiatische zukunft das modell von morgen - May 12 2023

web jan 18 2020 manchmal genügt ein bild um eine ganze kette von argumenten vorwegzunehmen parag khanna stellt seinem buch eine landkarte des asiatischen kontinents voran unkommentiert aber so eng eingefasst

unsere asiatische zukunft khanna parag juraschitz norbert amazon de - Jul 14 2023

web das 19 war das europäische das 20 das amerikanische jahrhundert und das 21 wird das asiatische jahrhundert sein asien heißt heute viereinhalb milliarden menschen zwei drittel der megacitys unseres planeten zwei drittel des weltweiten wirtschaftswachstums tendenz weiter steigend

parag khanna unsere asiatische zukunft youtube - Feb 26 2022

web jun 23 2021 die zukunft der weltordnung aus der sicht von singapur sonntag abend bei ard deutschland asien geopolitik

parag khanna unsere asiatische zukunft perlentaucher - Jun 13 2023

web martin tschechne irritiert der optimismus mit dem parag khanna in seinem buch den abschied vom westen seinen strategien und mustern feiert dass asien der kontinent des 21 jahrhunderts ist daran lässt der autor laut tschechne keinen zweifel

khanna parag unsere asiatische zukunft - Oct 05 2022

web unsere asiatische zukunft von parag khanna Übersetzung norbert juraschitz originaltitel the future is asian global order in the twenty first century verlag rowohlt berlin gebundene ausgabe isbn 978 3 7371 0002 1 auflage neuauflage erschienen am 15 10 2019 sprache deutsch originalsprache englisch format 220 mm h x 153 mm

unsere asiatische zukunft kindle ausgabe amazon de - Mar 10 2023

web asien heißt heute viereinhalb milliarden menschen zwei drittel der megacitys unseres planeten zwei drittel des weltweiten wirtschaftswachstums tendenz weiter steigend die verschiebung der globalen machtverhältnisse wird die welt verändern und wo es nicht schon so weit ist bald alle bereiche unseres lebens beeinflussen

9783737100021 unsere asiatische zukunft parag khanna - Apr 30 2022

web unsere asiatische zukunft finden sie alle bücher von parag khanna bei der büchersuchmaschine eurobuch com können sie antiquarische und neubücher vergleichen und sofort zum bestpreis bestellen 9783737100021 das 19 war das europäische das 20 das amerikanische jahrhundert und das 21 wird das asiatische

zusammenfassung von unsere asiatische zukunft blinkist - Apr 11 2023

web um das zu erkennen genügt es auf eine weltkarte zu schauen unser blick wandert vom persischen golf über große teile russlands im süden folgt er einer kurve von pakistan über indien und china um schließlich in japan zu landen der kontinent das wird dabei klar vereint sehr unterschiedliche kulturen

parag khanna unsere asiatische zukunft swr2 - Sep 04 2022

web jan 27 2020 parag khanna unsere asiatische zukunft stand 27 1 2020 12 31 uhr konstantin sakkas audio herunterladen 3 9 mb mp3 vorherige sendung nächste sendung der indische politikwissenschaftler

unsere asiatische zukunft von parag khanna buch thalia at - Jan 08 2023

web asien heißt heute viereinhalb milliarden menschen zwei drittel der megacitys unseres planeten zwei drittel des weltweiten wirtschaftswachstums weiterlesen details einband gebundene ausgabe erscheinungsdatum 15 10 2019 verlag

global risk briefing unsere asiatische zukunft nzz - Nov 06 2022

web oct 17 2019 global risk briefing unsere asiatische zukunft gerald hosp 17 10 2019 17 15 uhr hören teilen in der heutigen ausgabe des global risk briefings widmen wir uns der zukünftigen globalen rolle

unsere asiatische zukunft by parag khanna overdrive - Aug 03 2022

web oct 15 2019 das 19 war das europäische das 20 das amerikanische jahrhundert und das 21 wird das asiatische jahrhundert sein asien heißt heute viereinhalb milliarden menschen zwei drittel der megacitys unseres planeten zwei drittel des weltweiten wir

unsere asiatische zukunft von parag khanna ebook thalia - Dec 07 2022

web Über 2 000 000 ebooks bei thalia unsere asiatische zukunft von parag khanna weitere ebooks online kaufen direkt downloaden

unsere asiatische zukunft khanna parag juraschitz norbert - Jun 01 2022

web unsere asiatische zukunft khanna parag juraschitz norbert amazon de books

unsere asiatische zukunft parag khanna rowohlt - Aug 15 2023

web sep 28 2019 auf längere sicht geht es so khanna um eine kulturelle und politische synthese von west und ost von liberalismus und holismus demokratie und technokratie ein oft überraschender geopolitisch wie kulturell weitsichtiger blick in