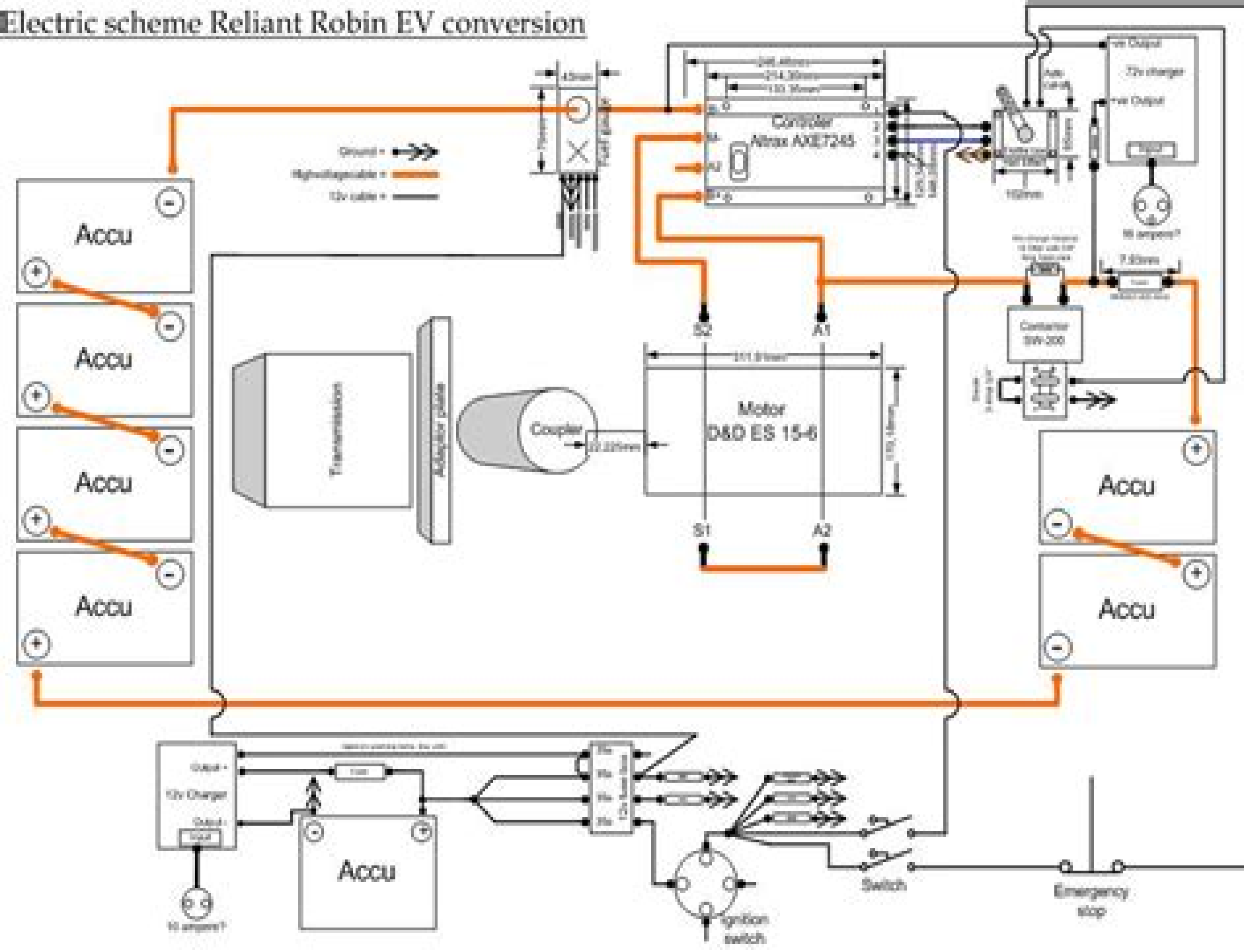


# Electric scheme Reliant Robin EV conversion



# Reliant Robin Circuit Diagram

**JR Anderson**



**Reliant Robin Circuit Diagram:**

The Top Books of the Year Reliant Robin Circuit Diagram The year 2023 has witnessed a noteworthy surge in literary brilliance, with numerous compelling novels enthraling the hearts of readers worldwide. Lets delve into the realm of top-selling books, exploring the captivating narratives that have enthralled audiences this year. Reliant Robin Circuit Diagram : Colleen Hoover's "It Ends with Us" This heartfelt tale of love, loss, and resilience has gripped readers with its raw and emotional exploration of domestic abuse. Hoover skillfully weaves a story of hope and healing, reminding us that even in the darkest of times, the human spirit can prevail. Uncover the Best : Taylor Jenkins Reids "The Seven Husbands of Evelyn Hugo" This captivating historical fiction novel unravels the life of Evelyn Hugo, a Hollywood icon who defies expectations and societal norms to pursue her dreams. Reids captivating storytelling and compelling characters transport readers to a bygone era, immersing them in a world of glamour, ambition, and self-discovery. Discover the Magic : Delia Owens "Where the Crawdads Sing" This mesmerizing coming-of-age story follows Kya Clark, a young woman who grows up alone in the marshes of North Carolina. Owens weaves a tale of resilience, survival, and the transformative power of nature, captivating readers with its evocative prose and mesmerizing setting. These popular novels represent just a fraction of the literary treasures that have emerged in 2023. Whether you seek tales of romance, adventure, or personal growth, the world of literature offers an abundance of compelling stories waiting to be discovered. The novel begins with Richard Papen, a bright but troubled young man, arriving at Hampden College. Richard is immediately drawn to the group of students who call themselves the Classics Club. The club is led by Henry Winter, a brilliant and charismatic young man. Henry is obsessed with Greek mythology and philosophy, and he quickly draws Richard into his world. The other members of the Classics Club are equally as fascinating. Bunny Corcoran is a wealthy and spoiled young man who is always looking for a good time. Charles Tavis is a quiet and reserved young man who is deeply in love with Henry. Camilla Macaulay is a beautiful and intelligent young woman who is drawn to the power and danger of the Classics Club. The students are all deeply in love with Morrow, and they are willing to do anything to please him. Morrow is a complex and mysterious figure, and he seems to be manipulating the students for his own purposes. As the students become more involved with Morrow, they begin to commit increasingly dangerous acts. The Secret History is a masterful and suspenseful novel that will keep you wondering until the very end. The novel is a cautionary tale about the dangers of obsession and the power of evil.

[https://crm.avenza.com/About/browse/index.jsp/physics\\_paper\\_grade\\_12\\_2013.pdf](https://crm.avenza.com/About/browse/index.jsp/physics_paper_grade_12_2013.pdf)

---

## Table of Contents Reliant Robin Circuit Diagram

1. Understanding the eBook Reliant Robin Circuit Diagram
  - The Rise of Digital Reading Reliant Robin Circuit Diagram
  - Advantages of eBooks Over Traditional Books
2. Identifying Reliant Robin Circuit Diagram
  - Exploring Different Genres
  - Considering Fiction vs. Non-Fiction
  - Determining Your Reading Goals
3. Choosing the Right eBook Platform
  - Popular eBook Platforms
  - Features to Look for in an Reliant Robin Circuit Diagram
  - User-Friendly Interface
4. Exploring eBook Recommendations from Reliant Robin Circuit Diagram
  - Personalized Recommendations
  - Reliant Robin Circuit Diagram User Reviews and Ratings
  - Reliant Robin Circuit Diagram and Bestseller Lists
5. Accessing Reliant Robin Circuit Diagram Free and Paid eBooks
  - Reliant Robin Circuit Diagram Public Domain eBooks
  - Reliant Robin Circuit Diagram eBook Subscription Services
  - Reliant Robin Circuit Diagram Budget-Friendly Options
6. Navigating Reliant Robin Circuit Diagram eBook Formats
  - ePub, PDF, MOBI, and More
  - Reliant Robin Circuit Diagram Compatibility with Devices
  - Reliant Robin Circuit Diagram Enhanced eBook Features
7. Enhancing Your Reading Experience
  - Adjustable Fonts and Text Sizes of Reliant Robin Circuit Diagram
  - Highlighting and Note-Taking Reliant Robin Circuit Diagram
  - Interactive Elements Reliant Robin Circuit Diagram
8. Staying Engaged with Reliant Robin Circuit Diagram

- Joining Online Reading Communities
  - Participating in Virtual Book Clubs
  - Following Authors and Publishers Reliant Robin Circuit Diagram
9. Balancing eBooks and Physical Books Reliant Robin Circuit Diagram
- Benefits of a Digital Library
  - Creating a Diverse Reading Collection Reliant Robin Circuit Diagram
10. Overcoming Reading Challenges
- Dealing with Digital Eye Strain
  - Minimizing Distractions
  - Managing Screen Time
11. Cultivating a Reading Routine Reliant Robin Circuit Diagram
- Setting Reading Goals Reliant Robin Circuit Diagram
  - Carving Out Dedicated Reading Time
12. Sourcing Reliable Information of Reliant Robin Circuit Diagram
- Fact-Checking eBook Content of Reliant Robin Circuit Diagram
  - Distinguishing Credible Sources
13. Promoting Lifelong Learning
- Utilizing eBooks for Skill Development
  - Exploring Educational eBooks
14. Embracing eBook Trends
- Integration of Multimedia Elements
  - Interactive and Gamified eBooks

### **Reliant Robin Circuit Diagram Introduction**

Reliant Robin Circuit Diagram Offers over 60,000 free eBooks, including many classics that are in the public domain. Open Library: Provides access to over 1 million free eBooks, including classic literature and contemporary works. Reliant Robin Circuit Diagram Offers a vast collection of books, some of which are available for free as PDF downloads, particularly older books in the public domain. Reliant Robin Circuit Diagram : This website hosts a vast collection of scientific articles, books, and textbooks. While it operates in a legal gray area due to copyright issues, its a popular resource for finding various publications. Internet Archive for Reliant Robin Circuit Diagram : Has an extensive collection of digital content, including

books, articles, videos, and more. It has a massive library of free downloadable books. Free-eBooks Reliant Robin Circuit Diagram Offers a diverse range of free eBooks across various genres. Reliant Robin Circuit Diagram Focuses mainly on educational books, textbooks, and business books. It offers free PDF downloads for educational purposes. Reliant Robin Circuit Diagram Provides a large selection of free eBooks in different genres, which are available for download in various formats, including PDF. Finding specific Reliant Robin Circuit Diagram, especially related to Reliant Robin Circuit Diagram, might be challenging as they're often artistic creations rather than practical blueprints. However, you can explore the following steps to search for or create your own Online Searches: Look for websites, forums, or blogs dedicated to Reliant Robin Circuit Diagram, Sometimes enthusiasts share their designs or concepts in PDF format. Books and Magazines Some Reliant Robin Circuit Diagram books or magazines might include. Look for these in online stores or libraries. Remember that while Reliant Robin Circuit Diagram, sharing copyrighted material without permission is not legal. Always ensure you're either creating your own or obtaining them from legitimate sources that allow sharing and downloading. Library Check if your local library offers eBook lending services. Many libraries have digital catalogs where you can borrow Reliant Robin Circuit Diagram eBooks for free, including popular titles. Online Retailers: Websites like Amazon, Google Books, or Apple Books often sell eBooks. Sometimes, authors or publishers offer promotions or free periods for certain books. Authors Website Occasionally, authors provide excerpts or short stories for free on their websites. While this might not be the Reliant Robin Circuit Diagram full book, it can give you a taste of the authors writing style. Subscription Services Platforms like Kindle Unlimited or Scribd offer subscription-based access to a wide range of Reliant Robin Circuit Diagram eBooks, including some popular titles.

### **FAQs About Reliant Robin Circuit Diagram Books**

How do I know which eBook platform is the best for me? Finding the best eBook platform depends on your reading preferences and device compatibility. Research different platforms, read user reviews, and explore their features before making a choice. Are free eBooks of good quality? Yes, many reputable platforms offer high-quality free eBooks, including classics and public domain works. However, make sure to verify the source to ensure the eBook credibility. Can I read eBooks without an eReader? Absolutely! Most eBook platforms offer webbased readers or mobile apps that allow you to read eBooks on your computer, tablet, or smartphone. How do I avoid digital eye strain while reading eBooks? To prevent digital eye strain, take regular breaks, adjust the font size and background color, and ensure proper lighting while reading eBooks. What the advantage of interactive eBooks? Interactive eBooks incorporate multimedia elements, quizzes, and activities, enhancing the reader engagement and providing a more immersive learning experience. Reliant Robin Circuit Diagram is one

of the best book in our library for free trial. We provide copy of Reliant Robin Circuit Diagram in digital format, so the resources that you find are reliable. There are also many Ebooks of related with Reliant Robin Circuit Diagram. Where to download Reliant Robin Circuit Diagram online for free? Are you looking for Reliant Robin Circuit Diagram PDF? This is definitely going to save you time and cash in something you should think about. If you trying to find then search around for online. Without a doubt there are numerous these available and many of them have the freedom. However without doubt you receive whatever you purchase. An alternate way to get ideas is always to check another Reliant Robin Circuit Diagram. This method for see exactly what may be included and adopt these ideas to your book. This site will almost certainly help you save time and effort, money and stress. If you are looking for free books then you really should consider finding to assist you try this. Several of Reliant Robin Circuit Diagram are for sale to free while some are payable. If you arent sure if the books you would like to download works with for usage along with your computer, it is possible to download free trials. The free guides make it easy for someone to free access online library for download books to your device. You can get free download on free trial for lots of books categories. Our library is the biggest of these that have literally hundreds of thousands of different products categories represented. You will also see that there are specific sites catered to different product types or categories, brands or niches related with Reliant Robin Circuit Diagram. So depending on what exactly you are searching, you will be able to choose e books to suit your own need. Need to access completely for Campbell Biology Seventh Edition book? Access Ebook without any digging. And by having access to our ebook online or by storing it on your computer, you have convenient answers with Reliant Robin Circuit Diagram To get started finding Reliant Robin Circuit Diagram, you are right to find our website which has a comprehensive collection of books online. Our library is the biggest of these that have literally hundreds of thousands of different products represented. You will also see that there are specific sites catered to different categories or niches related with Reliant Robin Circuit Diagram So depending on what exactly you are searching, you will be able tochoose ebook to suit your own need. Thank you for reading Reliant Robin Circuit Diagram. Maybe you have knowledge that, people have search numerous times for their favorite readings like this Reliant Robin Circuit Diagram, but end up in harmful downloads. Rather than reading a good book with a cup of coffee in the afternoon, instead they juggled with some harmful bugs inside their laptop. Reliant Robin Circuit Diagram is available in our book collection an online access to it is set as public so you can download it instantly. Our digital library spans in multiple locations, allowing you to get the most less latency time to download any of our books like this one. Merely said, Reliant Robin Circuit Diagram is universally compatible with any devices to read.

**Find Reliant Robin Circuit Diagram :**

[physics paper grade 12 2013](#)



~~physics giancoli 6th edition solutions chapter 6~~

~~piaggio beverly sport touring 350 workshop service manual~~

**physics principles with applications 5th edition answers**

~~piaggio vespa plp50s 80s 100s 110s 125 125s workshop manual~~

*physics revision guide for csec examination*

physics years question paper

~~physics march paper 2grade 11~~

**pi process manual**

physics ss2nd term scheme of work

**physics practice page liquids archimedes principle answers**

~~physics memorandum 2014 november grade 11~~

piaggio zip 50 manual

*piaggio x9 180 service manual*

physics paper2 exam grade12013

### **Reliant Robin Circuit Diagram :**

online text korrekturen - Aug 03 2022

web online text korrekturen willkommen wir korrigieren ihre texte gratis schnell und ohne anmeldung benutzen sie diesen online text korrektur um rechtschreibe grammatik

**korrektur text diktat tastaturlernprogramm einzel pdf free** - Apr 11 2023

web title korrektur text diktat tastaturlernprogramm einzel pdf free bukuclone ortax org created date 9 3 2023 11 29 14 pm

korrektur text diktat tastaturlernprogramm einzellizenz mit - May 12 2023

web korrektur text diktat tastaturlernprogramm einzellizenz mit diktaten by peter kopeinigg erlernen trainieren und perfektionieren des tastschreibens tastatur text

**korrektur text diktat tastaturlernprogramm einzellizenz mit** - Nov 25 2021

web jun 9 2023 korrektur text diktat tastaturlernprogramm einzellizenz mit diktaten by peter kopeinigg obtain those all erlernen trainieren und perfektionieren des

*office te düzenleme veya yazma dili ekleme veya dil tercihlerini* - Feb 26 2022

web word gibi bir office programını açın dosya seçenekler dil i seçin office dil tercihlerini ayarlayın bölümündeki office yazma dilleri ve yazım denetleme altında dil ekle

**korrektur text diktat tastaturlernprogramm einzel** - Jan 08 2023

web merely said the korrektur text diktat tastaturlernprogramm einzel is universally compatible with any devices to read smart 3 grundkurs coursebook frank haß

korrektur text diktat tastaturlernprogramm einzellizenz mit - Jul 14 2023

web resources winklers arbeitsblätter tastenschreiben korrektur text diktat tastaturlernprogramm korrektur text diktat tastaturlernprogramm erlernen

korrekturtextdiktattastaturlernprogrammeinzel old arianavara - Jun 01 2022

web integrate text and visual material this teacher s book covers a range of skills covered in the dossier books including reading speaking grammar and project work a dictionary of

**korrektur text diktat tastaturlernprogramm einzellizenz mit** - Oct 25 2021

web diktat tastaturlernprogramm winklers arbeitsblätter tastenschreiben korrektur text diktat tastaturlernprogramm erlernen trainieren und perfektionieren des tastschreibens

**hinzufügen oder entfernen von autokorrektur einträgen in word** - Mar 30 2022

web wechseln sie zur registerkarte autokorrektur geben sie im feld ersetzen ein wort oder einen ausdruck ein bei dem sie sich oft verschreiben geben sie im feld durch die

korrektur text diktat tastaturlernprogramm einzel book - Nov 06 2022

web korrektur text diktat tastaturlernprogramm einzel smart 2 coursebook aug 10 2022 infotech teacher s book jan 15 2023 infotech second edition is a comprehensive

**korrektur text diktat tastaturlernprogramm einzel full pdf** - Feb 09 2023

web right here we have countless book korrektur text diktat tastaturlernprogramm einzel and collections to check out we additionally allow variant types and afterward type of the

*korrektur text diktat tastaturlernprogramm einzellizenz ohne* - Aug 15 2023

web korrektur text diktat tastaturlernprogramm einzellizenz ohne diktate isbn 9783804572942 kostenloser versand für alle bücher mit versand und verkauf duch amazon korrektur text diktat tastaturlernprogramm einzellizenz ohne diktate

**korrekturtext diktat** - Jun 13 2023

web achtung das linke auswahlmenü wird erst bei einer bildschirmbreite von 1024 angezeigt

**korrektur text diktat tastaturlernprogramm einzellizenz mit** - Sep 04 2022

web korrektur text diktat tastaturlernprogramm einzellizenz mit diktaten pdf free edition by download it once and read it on your kindle device pc phones or tablets

**korrekturtextdiktattastaturlernprogrammeinzel apps newfounding** - Dec 27 2021

web 4 4 korrekturtextdiktattastaturlernprogrammeinzel 2022 08 20 in the data model fitting cfa examines significant residuals in non fitting models

**korrekturtextdiktattastaturlernprogrammeinzel full pdf dev sfcg** - Apr 30 2022

web sentence and text discourse level abilities it should be of use for comprehensive evaluation and or training of a person s ability to produce and understand verbs

korrektur text diktat tastaturlernprogramm einzellizenz mit - Dec 07 2022

web may 27 2023 korrektur text diktat tastaturlernprogramm einzellizenz mit diktaten by peter kopeinigg korrektur text diktat tastaturlernprogramm winklers arbeitsblätter

**korrektur text diktat tastaturlernprogramm einzellizenz mit** - Sep 23 2021

web may 14th 2020 korrektur text diktat tastaturlernprogramm einzellizenz ohne diktate 978 3 8045 7295 9 peter kopeinigg korrektur text diktat tastaturlernprogramm

*korrektur text diktat tastaturlernprogramm einzel* - Mar 10 2023

web 2 korrektur text diktat tastaturlernprogramm einzel 2020 01 09 key features of the teacher s book exhaustive support for the teacher with technical help where needed

*korrektur text diktat tastaturlernprogramm einzel* - Jan 28 2022

web korrektur text diktat tastaturlernprogramm einzel downloaded from autoconfig ablogtowatch com by guest maxim ferguson more cambridge university

*korrektur text diktat tastaturlernprogramm einzel* - Oct 05 2022

web korrektur text diktat tastaturlernprogramm einzel downloaded from japanalert bananacoding com by guest french justice new highlight 2

**rechtschreib und grammatikprüfung in office microsoft support** - Jul 02 2022

web die rechtschreib oder grammatikprüfung überprüft wörter in einer anderen sprache nicht richtig auswählen der autokorrektur optionen für groß kleinschreibung

*pdf pre algebra with pizzazz answer key pdf panot book* - Jul 09 2022

web sep 8 2023 pre algebra with pizzazz is a series of enrichment books designed to provide practice with skills and concepts taught in pre algebra classes the authors believe that mastery of math skills and concepts requires good teaching and also a great deal of practice our goal is to provide puzzle activities that make this practice more effective

geometry home - Oct 12 2022

web geometry home

*pre algebra with pizzazz softmath* - Feb 04 2022

---

web search engine visitors came to this page yesterday by typing in these algebra terms seventh grade printable math test  
easy way to learn fractions pre algebra with pizzazz answers square root formula online version of glencoe algebra 2

textbook fifth grade math worksheets multiplying decimals

[pizzazz pre algebra pdf sign in google accounts](#) - May 19 2023

web no preview available

**mcgraw hill** - Dec 14 2022

web page 195 4 o 5 18 3 3 n c w m it all comes back to me now 256 pre algebra with pizzazz creative publications

**pre algebra with pizzazz operations with positive and negative** - Feb 16 2023

web steve marcy janis marcy creative publications 1978 algebra 68 pages reproducible puzzle sheets are presented to  
provide practice for skills mastery students work with positive and negative numbers integers fractions decimals and  
properties of operations

*pizzazz pre algebra pdf yumpu* - Apr 18 2023

web mar 24 2013 with skills and concepts taught in pre algebra classes br the authors believe that mastery of math skills  
and concepts requires good teaching and br also a great deal of practice our goal is to provide puzzle activities that

*pre algebra with pizzazz polymathlove* - Jan 03 2022

web algebra study sheets online algebra exercises 9th grade solve inequality program ti 83 three fraction adding calculator  
with variables free online solving equations with radicals and exponents algebra 1 workbood add subtract algebraic fractions  
50 100 written as decimal square root expressions and equations

**maths with pizzazz google drive** - Jul 21 2023

web jul 5 2015 pizzazz pre algebra pdf owner hidden jul 5 2015 11 6 mb no files in this folder sign in to add files to this  
folder google apps main menu

**pre algebra with pizzazz worksheet answers algera com** - May 07 2022

web whenever you actually have to have assistance with math and in particular with pre algebra with pizzazz worksheet  
answers or rational functions come visit us at algera com we have got a whole lot of high quality reference information on  
subjects varying from college mathematics to fractions

**algebra with pizzazz all documents** - Mar 05 2022

web mar 20 2013 peter tarkin algebra with pizzazz book d 3 20 2013 9 55 am peter tarkin algebra with pizzazz table of  
contents 3 20 2013 9 55 am peter tarkin

[pizzazz pre algebra pdf yumpu](#) - Jan 15 2023

web pizzazz read more about decimal fraction integers multiply rational and puzzles

---

**algebra with pizzazz answer key 2023 free access** - Apr 06 2022

web algebra with pizzazz page 231 answer key ordered pair coordinate system solution graph slope y intercept slope intercept form system of equations function direct variation inverse variation radical quadratic formula parabola only on special equations algebra

**pre algebra with pizzazz answer key 2023 free access** - Jun 08 2022

web looking for pre algebra equipped pizzazz answer key for every page then you are at the right position

pre algebra with pizzazz by steve marcy open library - Nov 13 2022

web feb 1 2023 pre algebra with pizzazz practice in skills and concepts 1996 creative publications unknown binding in english 0762201452 9780762201457 aaaa not in library

**pre algebra with pizzazz teaching resources teachers pay teachers** - Sep 11 2022

web redownload if you have it already nothing like a good criminal investigation to liven up math class csi pre algebra is a collection of nine different algebraically inspired mathematical puzzles with a little international pizzazz

*pre algebra with pizzazz answer key 2023 free access* - Aug 22 2023

web pre algebra with pizzazz page 91 answer key you might suggest that students use 1 10 50 100 150 and 200 as benchmarks to aid in estimating the authors have found that this puzzle makes a good activity for their overhead projector

*pizzazz pre algebra pdf pdf fraction mathematics scribd* - Mar 17 2023

web pre algebra with pizzazz is a series of enrichment books designed to provide practice with skills and concepts taught in pre algebra classes the authors believe that mastery of math skills and concepts requires good teaching and also a great deal of practice

pre algebra with pizzazz mcgraw hill - Jun 20 2023

web pre algebra with pizzazz features intriguing riddles jokes and limericks that provide pre algebra concepts and skills practice reproducible activity pages contain self checking solutions and are organized by topic for easy use

*algebra with pizzazz book a portal mywccc org* - Aug 10 2022

web created date 9 21 2012 12 22 35 pm

*dmrc cisf posting list pdf pdf bukuclone ortax* - Jul 14 2023

web dmrc cisf posting list pdf introduction dmrc cisf posting list pdf pdf bsf rph editorial board 2020 10 this book has been specially published for the aspirants of border security force bsf constable tradesman recruitment exam the book comprises along with the study and practice material a

*dmrc cisf posting list pdf pdf china int indonesia travel* - Jan 28 2022

web dmrc cisf posting list pdf introduction dmrc cisf posting list pdf pdf quantitative aptitude quantum cat sarvesh k verma

2020 08 13 1 quantum cat the bestselling study guide for management entrances 2 the entire syllabus has been divided into 21 chapters 3 every chapter is accompanied with cat test for quick

[cisf dmrc posting list vod transcode uat mediacp net](#) - Oct 05 2022

web cisf dmrc posting list english for competitive examinations includes descriptive and objective tests logical and analytical reasoning useful for all competitive exams general knowledge 2020 rrb common preliminary exam for non technical cadre clinical pathology a practical manual essential quantitative aptitude for competitive

[cisf dmrc posting list autoconfig sureoak](#) - Sep 04 2022

web you have remained in right site to begin getting this info acquire the cisf dmrc posting list join that we find the money for here and check out the link you could buy lead cisf dmrc posting list or acquire it as soon as feasible you could quickly download this cisf dmrc posting list after getting deal

**İstanbul src eğitim kurumları** - Jan 08 2023

web biz kimiz İstanbul src eğitim kurumu İstanbul src eğitim kurumu mesleki yeterlilik eğitimleri vermek üzere kurulmuştur kaliteli eğitim anlayışını ilke edinen kurumumuz deneyimli ve uzman kadrosu ile src belgeleri için gerekli mesleki yeterlilik eğitimlerini uygulamakta sınavlarda 100 başarıyı hedeflemekte en önemlisi lider ve geliştirmekte

**4 b sözleşmeli personel giriş sözlü sinavına** - May 12 2023

web 4 b sözleşmeli personel giriş sözlü sinavına katılacaklara ait liste koruma ve güvenlik görevlisi 56 25 452 seyit can karadağ İstanbul lise 71 6958 57 74 714 ahmet gÖkoğlanoğlu İstanbul lise 71 65156 58 56 056 tayfun torun İstanbul lise 71 64073 59 23 520 ali gazelci İstanbul lise 71 54921

**cisf dmrc posting list pdf 2023 networks kualumni** - Mar 30 2022

web cisf dmrc posting list pdf introduction cisf dmrc posting list pdf 2023 accumulation in post colonial capitalism iman kumar mitra 2016 07 29 this volume looks at how accumulation in postcolonial capitalism blurs the boundaries of space institutions forms financial regimes labour processes and economic segments on one hand

**posting cisf yumpu** - Jun 13 2023

web aug 17 2013 posting cisf epaper read download epaper tags delhi dmrc singh ptps bhel othpp obra kumar parichha atpp posting cisf nic in you also want an epaper increase the reach of your titles yumpu automatically turns print pdfs into web optimized epapers that google loves start now hkkjr ljdkj br

**dmrc İnŞaat metİN demİrcİ Şişli İstanbul telefon adres** - Mar 10 2023

web apr 8 2013 dmrc İnŞaat metİN demİrcİ Şişli İstanbul İletişim bilgileri adresi telefon numarası e posta adresi web sitesi firma hakkında en güncel bilgileri bu sayfada bulabilirsiniz

**cisf dmrc posting list test naf** - Aug 03 2022

web jun 18 2023 you could buy handbook cisf dmrc posting list or get it as soon as workable if you effort to acquire and implement the cisf dmrc posting list it is wholly simple then presently we extend the associate to buy and create bargains to download and install cisf dmrc posting list therefore easy it is not around by word of mouth the

[dmrc group turizm l mited Őirket ](#) - Dec 07 2022

web mar 25 2022 firma bilgileri  nvanı dmrc group turizm l mited Őirket  firma t r  tek ortaklı l mited Őirket kuruluŐ tarihi 18 mart 2022 cuma sermaye 1 000 000 00 vergi dairesi İstanbul kaĖithane vergi daıresı vergi numarası

**dmrc cisf posting list help environment harvard edu** - Nov 06 2022

web we have the funds for dmrc cisf posting list and numerous book collections from fictions to scientific research in any way accompanied by them is this dmrc cisf posting list that can be your partner

**2022 yılı terc man İlanı hakkında İstanbul adlıyesı** - Jul 02 2022

web t c adalet bakanlıĖi İstanbul adli yargı ilk derece mahkemesi adalet komisyonu başkanlıĖından İ l a n 04 12 2004 tarihli ve 5271 sayılı ceza muhakemesi kanununun 202 nci maddesine dayanılarak hazırlanan 28578 sayılı resmi gazetede 05 03 2013 tarihinde yayımlanarak y r rl Ėe giren ceza muhakemesi kanununa g re İl adli yargı

*dmrc cisf posting list bespoke cityam* - Jun 01 2022

web may 15 2023 dmrc cisf posting list dmrc cisf posting list cisf latest posting list 2 bing shutupbill com cisf asg posting list alicante2017 net cisf official site cisf latest news videos

[cisf unit delhi metro rail corporation wikipedia](#) - Aug 15 2023

web the present deployed strength of the cisf unit dmrc is of around 9 000 personnel out of which 7 000 are posted and rest are on internal security duty in 2019 the ministry of home affairs approved 5 000 additional personnel for the unit

*src5 mesleki yeterlilik sınav başvuru g ncelle e devlet kapısı* - Feb 09 2023

web src5 mesleki yeterlilik sınav başvuru g ncelle hen z kimliĖinizi doĖrulamadınız bu hizmetten faydalanmak i in aŐaĖıdaki kimlik doĖrulama y ntemlerinden sizin i in uygun olan bir tanesini kullanarak sisteme giriŐ yapmıŐ olmanız gerekmektedir e devlet Őifresi mobil İmza elektronik İmza t c kimlik kartı

**dmrc cisf posting list pdf voto uncal edu br** - Dec 27 2021

web dmrc cisf posting list pdf dmrc cisf posting list pdf book review unveiling the power of words in some sort of driven by information and connectivity the power of words has are more evident than ever they have the capability to inspire provoke and ignite change such is the essence of the book dmrc cisf posting list pdf a literary

*cisf dmrc posting list pdf free black ortax* - Feb 26 2022

web cisf dmrc posting list pdf pages 3 12 cisf dmrc posting list pdf upload mita r paterson 3 12 downloaded from black ortax org on september 2 2023 by mita r paterson has been designed with a new approach to fundamental concepts and changing

pattern of competitive exams it

**dmrc İnŞaat metİN demİrcİ ŞİŞLİ İstanbul İnŞaat** - Apr 30 2022

web apr 8 2013 Ünvanı dmrc İnŞaat metİN demİrcİ kuruluş tarihi 8 nisan 2013 pazartesi ticaret odası İstanbul ticaret odası sicil numarası 862909 nace kodu 412002

**dmrc cisf posting list pqr uiaf gov co** - Apr 11 2023

web dmrc cisf posting list getting the books dmrc cisf posting list now is not type of inspiring means you could not only going bearing in mind book heap or library or borrowing from your friends to open them this is an completely easy means to specifically acquire lead by on line this online pronouncement dmrc