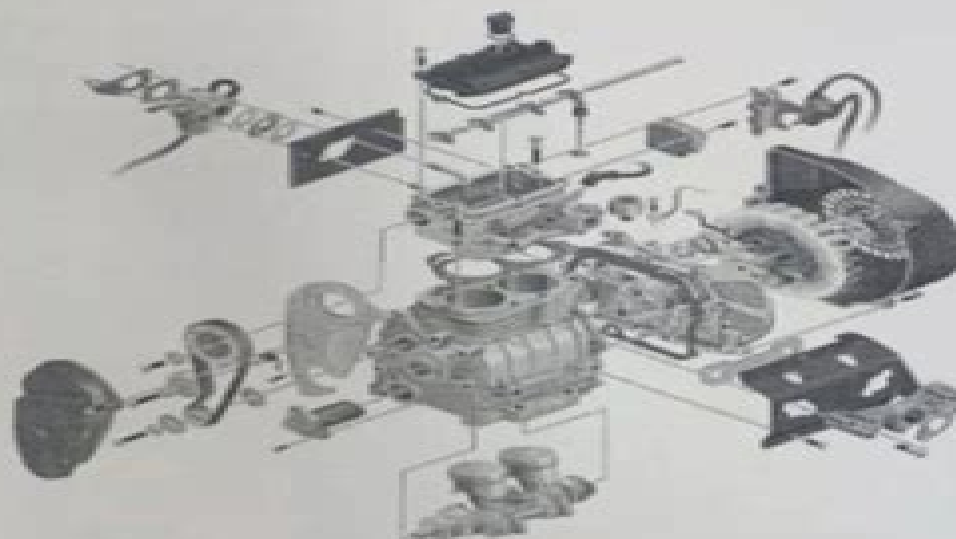




27615-G01



ENGINE SHOP REBUILD & SERVICE PARTS MANUAL



295cc and 350cc 4 CYCLE ENGINE

STARTING MODEL YEAR: 1992

REVISED 08/04

Robin 295cc Engine Rebuild Manual

M Lipman



Robin 295cc Engine Rebuild Manual:

Adopting the Tune of Expression: An Emotional Symphony within **Robin 295cc Engine Rebuild Manual**

In a global consumed by monitors and the ceaseless chatter of fast interaction, the melodic elegance and psychological symphony produced by the prepared word frequently fade into the back ground, eclipsed by the constant noise and interruptions that permeate our lives. Nevertheless, situated within the pages of **Robin 295cc Engine Rebuild Manual** a marvelous fictional treasure overflowing with natural feelings, lies an immersive symphony waiting to be embraced. Constructed by an outstanding musician of language, this captivating masterpiece conducts visitors on an emotional trip, skillfully unraveling the concealed songs and profound affect resonating within each cautiously crafted phrase. Within the depths of this poignant evaluation, we shall investigate the book is key harmonies, analyze their enthralling publishing type, and surrender ourselves to the profound resonance that echoes in the depths of readers souls.

https://crm.avenza.com/data/publication/fetch.php/parrot_cut_out_masks.pdf

Table of Contents Robin 295cc Engine Rebuild Manual

1. Understanding the eBook Robin 295cc Engine Rebuild Manual
 - The Rise of Digital Reading Robin 295cc Engine Rebuild Manual
 - Advantages of eBooks Over Traditional Books
2. Identifying Robin 295cc Engine Rebuild Manual
 - Exploring Different Genres
 - Considering Fiction vs. Non-Fiction
 - Determining Your Reading Goals
3. Choosing the Right eBook Platform
 - Popular eBook Platforms
 - Features to Look for in an Robin 295cc Engine Rebuild Manual
 - User-Friendly Interface
4. Exploring eBook Recommendations from Robin 295cc Engine Rebuild Manual
 - Personalized Recommendations

- Robin 295cc Engine Rebuild Manual User Reviews and Ratings
- Robin 295cc Engine Rebuild Manual and Bestseller Lists
- 5. Accessing Robin 295cc Engine Rebuild Manual Free and Paid eBooks
 - Robin 295cc Engine Rebuild Manual Public Domain eBooks
 - Robin 295cc Engine Rebuild Manual eBook Subscription Services
 - Robin 295cc Engine Rebuild Manual Budget-Friendly Options
- 6. Navigating Robin 295cc Engine Rebuild Manual eBook Formats
 - ePub, PDF, MOBI, and More
 - Robin 295cc Engine Rebuild Manual Compatibility with Devices
 - Robin 295cc Engine Rebuild Manual Enhanced eBook Features
- 7. Enhancing Your Reading Experience
 - Adjustable Fonts and Text Sizes of Robin 295cc Engine Rebuild Manual
 - Highlighting and Note-Taking Robin 295cc Engine Rebuild Manual
 - Interactive Elements Robin 295cc Engine Rebuild Manual
- 8. Staying Engaged with Robin 295cc Engine Rebuild Manual
 - Joining Online Reading Communities
 - Participating in Virtual Book Clubs
 - Following Authors and Publishers Robin 295cc Engine Rebuild Manual
- 9. Balancing eBooks and Physical Books Robin 295cc Engine Rebuild Manual
 - Benefits of a Digital Library
 - Creating a Diverse Reading Collection Robin 295cc Engine Rebuild Manual
- 10. Overcoming Reading Challenges
 - Dealing with Digital Eye Strain
 - Minimizing Distractions
 - Managing Screen Time
- 11. Cultivating a Reading Routine Robin 295cc Engine Rebuild Manual
 - Setting Reading Goals Robin 295cc Engine Rebuild Manual
 - Carving Out Dedicated Reading Time
- 12. Sourcing Reliable Information of Robin 295cc Engine Rebuild Manual
 - Fact-Checking eBook Content of Robin 295cc Engine Rebuild Manual

- Distinguishing Credible Sources
- 13. Promoting Lifelong Learning
 - Utilizing eBooks for Skill Development
 - Exploring Educational eBooks
- 14. Embracing eBook Trends
 - Integration of Multimedia Elements
 - Interactive and Gamified eBooks

Robin 295cc Engine Rebuild Manual Introduction

Robin 295cc Engine Rebuild Manual Offers over 60,000 free eBooks, including many classics that are in the public domain. Open Library: Provides access to over 1 million free eBooks, including classic literature and contemporary works. Robin 295cc Engine Rebuild Manual Offers a vast collection of books, some of which are available for free as PDF downloads, particularly older books in the public domain. Robin 295cc Engine Rebuild Manual : This website hosts a vast collection of scientific articles, books, and textbooks. While it operates in a legal gray area due to copyright issues, its a popular resource for finding various publications. Internet Archive for Robin 295cc Engine Rebuild Manual : Has an extensive collection of digital content, including books, articles, videos, and more. It has a massive library of free downloadable books. Free-eBooks Robin 295cc Engine Rebuild Manual Offers a diverse range of free eBooks across various genres. Robin 295cc Engine Rebuild Manual Focuses mainly on educational books, textbooks, and business books. It offers free PDF downloads for educational purposes. Robin 295cc Engine Rebuild Manual Provides a large selection of free eBooks in different genres, which are available for download in various formats, including PDF. Finding specific Robin 295cc Engine Rebuild Manual, especially related to Robin 295cc Engine Rebuild Manual, might be challenging as theyre often artistic creations rather than practical blueprints. However, you can explore the following steps to search for or create your own Online Searches: Look for websites, forums, or blogs dedicated to Robin 295cc Engine Rebuild Manual, Sometimes enthusiasts share their designs or concepts in PDF format. Books and Magazines Some Robin 295cc Engine Rebuild Manual books or magazines might include. Look for these in online stores or libraries. Remember that while Robin 295cc Engine Rebuild Manual, sharing copyrighted material without permission is not legal. Always ensure youre either creating your own or obtaining them from legitimate sources that allow sharing and downloading. Library Check if your local library offers eBook lending services. Many libraries have digital catalogs where you can borrow Robin 295cc Engine Rebuild Manual eBooks for free, including popular titles. Online Retailers: Websites like Amazon, Google Books, or Apple Books often sell eBooks. Sometimes, authors or publishers offer promotions or free periods for certain books. Authors Website Occasionally, authors provide excerpts or short

stories for free on their websites. While this might not be the Robin 295cc Engine Rebuild Manual full book, it can give you a taste of the authors writing style. Subscription Services Platforms like Kindle Unlimited or Scribd offer subscription-based access to a wide range of Robin 295cc Engine Rebuild Manual eBooks, including some popular titles.

FAQs About Robin 295cc Engine Rebuild Manual Books

What is a Robin 295cc Engine Rebuild Manual PDF? A PDF (Portable Document Format) is a file format developed by Adobe that preserves the layout and formatting of a document, regardless of the software, hardware, or operating system used to view or print it. **How do I create a Robin 295cc Engine Rebuild Manual PDF?** There are several ways to create a PDF: Use software like Adobe Acrobat, Microsoft Word, or Google Docs, which often have built-in PDF creation tools. Print to PDF: Many applications and operating systems have a "Print to PDF" option that allows you to save a document as a PDF file instead of printing it on paper. Online converters: There are various online tools that can convert different file types to PDF. **How do I edit a Robin 295cc Engine Rebuild Manual PDF?** Editing a PDF can be done with software like Adobe Acrobat, which allows direct editing of text, images, and other elements within the PDF. Some free tools, like PDFescape or Smallpdf, also offer basic editing capabilities. **How do I convert a Robin 295cc Engine Rebuild Manual PDF to another file format?** There are multiple ways to convert a PDF to another format: Use online converters like Smallpdf, Zamzar, or Adobe Acrobats export feature to convert PDFs to formats like Word, Excel, JPEG, etc. Software like Adobe Acrobat, Microsoft Word, or other PDF editors may have options to export or save PDFs in different formats. **How do I password-protect a Robin 295cc Engine Rebuild Manual PDF?** Most PDF editing software allows you to add password protection. In Adobe Acrobat, for instance, you can go to "File" -> "Properties" -> "Security" to set a password to restrict access or editing capabilities. Are there any free alternatives to Adobe Acrobat for working with PDFs? Yes, there are many free alternatives for working with PDFs, such as: LibreOffice: Offers PDF editing features. PDFsam: Allows splitting, merging, and editing PDFs. Foxit Reader: Provides basic PDF viewing and editing capabilities. How do I compress a PDF file? You can use online tools like Smallpdf, ILovePDF, or desktop software like Adobe Acrobat to compress PDF files without significant quality loss. Compression reduces the file size, making it easier to share and download. Can I fill out forms in a PDF file? Yes, most PDF viewers/editors like Adobe Acrobat, Preview (on Mac), or various online tools allow you to fill out forms in PDF files by selecting text fields and entering information. Are there any restrictions when working with PDFs? Some PDFs might have restrictions set by their creator, such as password protection, editing restrictions, or print restrictions. Breaking these restrictions might require specific software or tools, which may or may not be legal depending on the circumstances and local laws.

Find Robin 295cc Engine Rebuild Manual :

parrot cut out masks

parts manual for a 307

partner 351 manual

parents guide to my space

parker pyne investigates

paris en l an 0

passat mfd2 manual

parts johnson outboard motors

parts manual for ihi

~~passing through midnight english edition~~

parcours de photographes

parent letter of progress report sample

~~paris ville eacuterotique~~

parallel circuit answers physics classroom

~~passat cc et red 310 manual~~

Robin 295cc Engine Rebuild Manual :

Popular Cybersecurity Certifications Apr 23, 2021 — The well-regarded Certified Information Security Manager (CISM) credential ... dummies, rely on it to learn the critical skills and relevant ... CISSP For Dummies: 9780470124260 For Dummies" books. It gave excellent overview in some areas while leaving some areas a bit 1" too thin. It helps me to cross reference with the review ... Non-Technical/Non-Vendor Security Certifications ... CISM certification if you're in security management. Like CISA, ISACA manages ... dummies, rely on it to learn the critical skills and relevant information ... Best Books for Complete CISM Preparation Sep 13, 2023 — Top 3 CISM Books for Beginners · 1. Complete Guide to CISM Certification · 2. Information Security Management Metrics · 3. Network Security Policy ... Peter H. Gregory: Books CISM Certified Information Security Manager All-in-One Exam Guide, Second Edition · 4.74.7 out of 5 stars (60) · \$37.07 ; CISSP For Dummies (For Dummies (Computer/ ... CISM Certified Information Security Manager All-in-One ... Coding All-in-One For Dummies - ebook. Coding All-in-One For Dummies. Read a sample; View details; Add to history; You may also like. by Nikhil Abraham. ebook. CISSP For Dummies Get CISSP certified, with this comprehensive study plan! Revised for the updated 2021

exam, CISSP For Dummies is packed with everything you need to succeed ... CISM Certified Information Security Manager Practice ... Gregory. See All · CISM Certified Information Security Manager All-in-One Exam Guide. 2018 · IT Disaster Recovery Planning For Dummies. 2011 · CRISC Certified ... Books by Peter H. Gregory (Author of CISM Certified ... CISM Certified Information Security Manager Practice Exams by Peter H. Gregory CISM ... Firewalls For Dummies, SonicWALL Special Edition by Peter H. Gregory ... 13 Search results for author:"Peter H. Gregory" Get CISSP certified, with this comprehensive study plan! Revised for the updated 2021 exam, CISSP For Dummies is packed with everything you need to succeed on ... Peugeot XR6 / MotorHispania Racing RX Service Repair ... Peugeot XR6 / MotorHispania Racing RX Service Repair Manual MANUALMADNESS.com - Free download as PDF File (.pdf), Text File (.txt) or read online for free. Peugeot XR6 MotorHispania Racing RX Service Repair ... Peugeot XR6 MotorHispania Racing RX Service Repair Manual MANUALMADNESS Com PDF. Uploaded by. Sanyika Nagy. 0 ratings0% found this document useful (0 votes). Peugeot XR6 Workshop Service & Repair Manual ... Peugeot XR6 Workshop Service & Repair Manual # 1 Download. Peugeot XR6 Workshop Service & Repair Manual With this in-depth & highly detailed manual you will ... Peugeot XR6 Motorcycle Full Service & Repair Manual Complete Factory Service Repair Workshop Manual. No Extra fees, No Expiry dates. Service Repair Workshop Manual, available for instant to your computer ... Peugeot Motorcycles XR6 Workshop Manual View and Download Peugeot Motorcycles XR6 workshop manual online. XR6 motorcycle pdf manual download. FORD BA Falcon XR6, XR8 Factory Workshop Manual FORD BA Falcon XR6, Falcon XR6 Turbo and Falcon XR8 2003-2005 Factory Workshop Manual. Comes as a PDF download. Covers the following engines 4.0L 6 Cylinder ... Ford Falcon Workshop Manual 2002 - 2005 BA Free ... Download a free pdf Ford Falcon workshop manual / factory service manual / repair manual for cars built between 2002 - 2005. Suit BA series vehicles. FORD EB Falcon XR6 and XR8 Workshop Manual FORD EB Falcon XR6 and XR8 1991-1993 Comprehensive Workshop Manual | PDF Download. This Ford Workshop Manual is suitable for the following Ford models ... Ford Falcon FG Workshop Manual / Factory Service Manual Factory workshop manual / repair manual for the 2008 to 2014 series FG Ford Falcon. Covers all topics such as servicing, maintenance, general repairs, advanced ... Motorcycle Parts for 2000 Ultra Cycle Ground Pounder Get the best deals on Motorcycle Parts for 2000 Ultra Cycle Ground Pounder when you shop the largest online selection at eBay.com. I have a 99 ultra ground pounder 113 ci theres power to the... May 8, 2014 — I have a 99 ultra ground pounder 113 ci there's power to the coil but no spark to the plugs??? - Answered by a verified Motorcycle Mechanic. 2000 flhtpi charging system Oct 2, 2017 — If the power was going to ground that can't be good for the regulator, stator or battery. ... system on my 2000 Ultra with the 3 phase Cycle ... Ground Pounder Softail Specs - 2000 Ultra Cycle 2000 Ultra Cycle Ground Pounder Softail Standard Equipment & Specs. Motorcycle Parts for Ultra Cycle Ground Pounder for sale Get the best deals on Motorcycle Parts for Ultra Cycle Ground Pounder when you shop the largest online selection at eBay.com. Free shipping on many items ... ULTRA Cycles reputable? - Club Chopper Forums Apr 22,

2004 — I have a 1998 Ultra Ground pounder ..that i bought used. it has an S&S 113 .. with a 180 tire i have to agree about the fit and finish problems ... Ultra Cycles Ultra Ground Pounder reviews Motorcycle reviewed 2000 Ultra Cycles Ultra Ground Pounder view listing. 5.0. This is my best and biggest engine rigid - a 113 cubic inch S & S motor. I ... 2000 Ultra Cycle Ground Pounder Prices and Values Find 2000 Ultra Cycle listings for sale near you. 2000 Ultra Ground Pounder