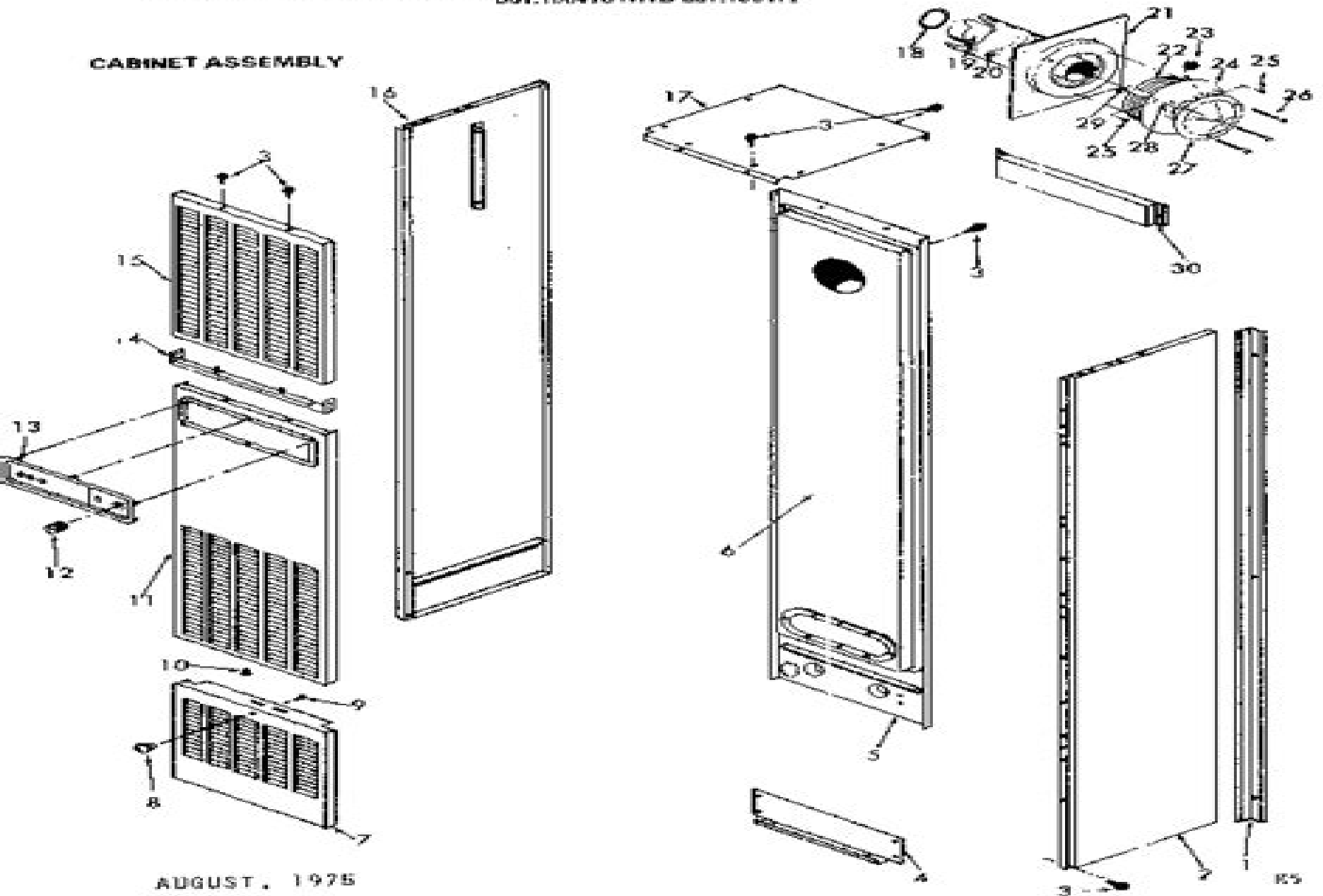


CABINET ASSEMBLY



AUGUST, 1975

QUALITY INFORMATION: OBTAIN THE CODE NUMBER  
OF QUALITY CERTIFICATE F642-3575A FROM THE  
FIRST PAGE OF THE 0742 STANDARD SEARS MODEL  
NUMBER INDEX.

# Sears Gas Furnace Instructions

**SA Dillow**



## **Sears Gas Furnace Instructions:**

## Enjoying the Melody of Expression: An Psychological Symphony within **Sears Gas Furnace Instructions**

In a world used by monitors and the ceaseless chatter of instantaneous interaction, the melodic elegance and emotional symphony created by the written term frequently fade into the backdrop, eclipsed by the persistent sound and distractions that permeate our lives. Nevertheless, situated within the pages of **Sears Gas Furnace Instructions** a stunning literary prize filled with organic feelings, lies an immersive symphony waiting to be embraced. Crafted by a masterful musician of language, that charming masterpiece conducts readers on a mental journey, skillfully unraveling the hidden tunes and profound affect resonating within each carefully crafted phrase. Within the depths of the emotional review, we will investigate the book is key harmonies, analyze their enthralling writing model, and submit ourselves to the profound resonance that echoes in the depths of readers souls.

[https://crm.avenza.com/book/uploaded-files/fetch.php/peugeot\\_306\\_cabriolet\\_repair\\_manual.pdf](https://crm.avenza.com/book/uploaded-files/fetch.php/peugeot_306_cabriolet_repair_manual.pdf)

### **Table of Contents Sears Gas Furnace Instructions**

1. Understanding the eBook Sears Gas Furnace Instructions
  - The Rise of Digital Reading Sears Gas Furnace Instructions
  - Advantages of eBooks Over Traditional Books
2. Identifying Sears Gas Furnace Instructions
  - Exploring Different Genres
  - Considering Fiction vs. Non-Fiction
  - Determining Your Reading Goals
3. Choosing the Right eBook Platform
  - Popular eBook Platforms
  - Features to Look for in an Sears Gas Furnace Instructions
  - User-Friendly Interface
4. Exploring eBook Recommendations from Sears Gas Furnace Instructions
  - Personalized Recommendations

- Sears Gas Furnace Instructions User Reviews and Ratings
- Sears Gas Furnace Instructions and Bestseller Lists
- 5. Accessing Sears Gas Furnace Instructions Free and Paid eBooks
  - Sears Gas Furnace Instructions Public Domain eBooks
  - Sears Gas Furnace Instructions eBook Subscription Services
  - Sears Gas Furnace Instructions Budget-Friendly Options
- 6. Navigating Sears Gas Furnace Instructions eBook Formats
  - ePub, PDF, MOBI, and More
  - Sears Gas Furnace Instructions Compatibility with Devices
  - Sears Gas Furnace Instructions Enhanced eBook Features
- 7. Enhancing Your Reading Experience
  - Adjustable Fonts and Text Sizes of Sears Gas Furnace Instructions
  - Highlighting and Note-Taking Sears Gas Furnace Instructions
  - Interactive Elements Sears Gas Furnace Instructions
- 8. Staying Engaged with Sears Gas Furnace Instructions
  - Joining Online Reading Communities
  - Participating in Virtual Book Clubs
  - Following Authors and Publishers Sears Gas Furnace Instructions
- 9. Balancing eBooks and Physical Books Sears Gas Furnace Instructions
  - Benefits of a Digital Library
  - Creating a Diverse Reading Collection Sears Gas Furnace Instructions
- 10. Overcoming Reading Challenges
  - Dealing with Digital Eye Strain
  - Minimizing Distractions
  - Managing Screen Time
- 11. Cultivating a Reading Routine Sears Gas Furnace Instructions
  - Setting Reading Goals Sears Gas Furnace Instructions
  - Carving Out Dedicated Reading Time
- 12. Sourcing Reliable Information of Sears Gas Furnace Instructions
  - Fact-Checking eBook Content of Sears Gas Furnace Instructions

- Distinguishing Credible Sources
- 13. Promoting Lifelong Learning
  - Utilizing eBooks for Skill Development
  - Exploring Educational eBooks
- 14. Embracing eBook Trends
  - Integration of Multimedia Elements
  - Interactive and Gamified eBooks

## **Sears Gas Furnace Instructions Introduction**

In today's digital age, the availability of Sears Gas Furnace Instructions books and manuals for download has revolutionized the way we access information. Gone are the days of physically flipping through pages and carrying heavy textbooks or manuals. With just a few clicks, we can now access a wealth of knowledge from the comfort of our own homes or on the go. This article will explore the advantages of Sears Gas Furnace Instructions books and manuals for download, along with some popular platforms that offer these resources. One of the significant advantages of Sears Gas Furnace Instructions books and manuals for download is the cost-saving aspect. Traditional books and manuals can be costly, especially if you need to purchase several of them for educational or professional purposes. By accessing Sears Gas Furnace Instructions versions, you eliminate the need to spend money on physical copies. This not only saves you money but also reduces the environmental impact associated with book production and transportation. Furthermore, Sears Gas Furnace Instructions books and manuals for download are incredibly convenient. With just a computer or smartphone and an internet connection, you can access a vast library of resources on any subject imaginable. Whether you're a student looking for textbooks, a professional seeking industry-specific manuals, or someone interested in self-improvement, these digital resources provide an efficient and accessible means of acquiring knowledge. Moreover, PDF books and manuals offer a range of benefits compared to other digital formats. PDF files are designed to retain their formatting regardless of the device used to open them. This ensures that the content appears exactly as intended by the author, with no loss of formatting or missing graphics. Additionally, PDF files can be easily annotated, bookmarked, and searched for specific terms, making them highly practical for studying or referencing. When it comes to accessing Sears Gas Furnace Instructions books and manuals, several platforms offer an extensive collection of resources. One such platform is Project Gutenberg, a nonprofit organization that provides over 60,000 free eBooks. These books are primarily in the public domain, meaning they can be freely distributed and downloaded. Project Gutenberg offers a wide range of classic literature, making it an excellent resource for literature enthusiasts. Another popular platform for Sears Gas Furnace Instructions books and manuals is Open Library. Open Library is an initiative of the

Internet Archive, a non-profit organization dedicated to digitizing cultural artifacts and making them accessible to the public. Open Library hosts millions of books, including both public domain works and contemporary titles. It also allows users to borrow digital copies of certain books for a limited period, similar to a library lending system. Additionally, many universities and educational institutions have their own digital libraries that provide free access to PDF books and manuals. These libraries often offer academic texts, research papers, and technical manuals, making them invaluable resources for students and researchers. Some notable examples include MIT OpenCourseWare, which offers free access to course materials from the Massachusetts Institute of Technology, and the Digital Public Library of America, which provides a vast collection of digitized books and historical documents. In conclusion, Sears Gas Furnace Instructions books and manuals for download have transformed the way we access information. They provide a cost-effective and convenient means of acquiring knowledge, offering the ability to access a vast library of resources at our fingertips. With platforms like Project Gutenberg, Open Library, and various digital libraries offered by educational institutions, we have access to an ever-expanding collection of books and manuals. Whether for educational, professional, or personal purposes, these digital resources serve as valuable tools for continuous learning and self-improvement. So why not take advantage of the vast world of Sears Gas Furnace Instructions books and manuals for download and embark on your journey of knowledge?

## **FAQs About Sears Gas Furnace Instructions Books**

1. Where can I buy Sears Gas Furnace Instructions books? Bookstores: Physical bookstores like Barnes & Noble, Waterstones, and independent local stores. Online Retailers: Amazon, Book Depository, and various online bookstores offer a wide range of books in physical and digital formats.
2. What are the different book formats available? Hardcover: Sturdy and durable, usually more expensive. Paperback: Cheaper, lighter, and more portable than hardcovers. E-books: Digital books available for e-readers like Kindle or software like Apple Books, Kindle, and Google Play Books.
3. How do I choose a Sears Gas Furnace Instructions book to read? Genres: Consider the genre you enjoy (fiction, non-fiction, mystery, sci-fi, etc.). Recommendations: Ask friends, join book clubs, or explore online reviews and recommendations. Author: If you like a particular author, you might enjoy more of their work.
4. How do I take care of Sears Gas Furnace Instructions books? Storage: Keep them away from direct sunlight and in a dry environment. Handling: Avoid folding pages, use bookmarks, and handle them with clean hands. Cleaning: Gently dust the covers and pages occasionally.

5. Can I borrow books without buying them? Public Libraries: Local libraries offer a wide range of books for borrowing. Book Swaps: Community book exchanges or online platforms where people exchange books.
6. How can I track my reading progress or manage my book collection? Book Tracking Apps: Goodreads, LibraryThing, and Book Catalogue are popular apps for tracking your reading progress and managing book collections. Spreadsheets: You can create your own spreadsheet to track books read, ratings, and other details.
7. What are Sears Gas Furnace Instructions audiobooks, and where can I find them? Audiobooks: Audio recordings of books, perfect for listening while commuting or multitasking. Platforms: Audible, LibriVox, and Google Play Books offer a wide selection of audiobooks.
8. How do I support authors or the book industry? Buy Books: Purchase books from authors or independent bookstores. Reviews: Leave reviews on platforms like Goodreads or Amazon. Promotion: Share your favorite books on social media or recommend them to friends.
9. Are there book clubs or reading communities I can join? Local Clubs: Check for local book clubs in libraries or community centers. Online Communities: Platforms like Goodreads have virtual book clubs and discussion groups.
10. Can I read Sears Gas Furnace Instructions books for free? Public Domain Books: Many classic books are available for free as they're in the public domain. Free E-books: Some websites offer free e-books legally, like Project Gutenberg or Open Library.

## **Find Sears Gas Furnace Instructions :**

**peugeot 306 cabriolet repair manual**

[persuasive speech outline on domestic violence](#)

*[persuasive essay about food](#)*

**persuasive essay ideas for kids**

[pettibone 445e parts manual](#)

**personnel department of kern written examination**

[petrel user guide](#)

[personnel training nexam papers](#)

*[pert math test study guide](#)*

[petersons guide to selective colleges](#)

[peugeot 307 manual 2003](#)



[peugeot 207 hdi workshop manual](#)  
[petit traiteacute des sauces](#)  
[pes2013 for nokia asha 200 dualsim](#)  
[peugeot 206 gti 2015 workshop manual](#)

## **Sears Gas Furnace Instructions :**

*vietnamese cooking made easy simple flavorful and quick meals* - Aug 27 2022

web delicate soups and stir fries and well seasoned grilled foods served with rice or noodles are packed with fresh herbs and spices stunning photography and simple step by step instructions make vietnamese cooking made easy the perfect introduction to the world of vietnamese cuisine

**21 simple vietnamese recipes insanely good** - Aug 07 2023

web sep 20 2022 looking for vietnamese recipes to create a feast for the family from the popular street food banh mi to the nutrient dense spring rolls all the best vietnamese dishes are right here vietnamese cuisine features lots of vegetables herbs and fruits making it one of the world s healthiest cuisines

**21 easy vietnamese recipes you can whip up at home** - Jul 26 2022

web sep 15 2022 switch up your usual dishes and enjoy fresh and flavorful bites with these 21 vietnamese recipes they re healthy easy and heavenly

**14 easy vietnamese dinner recipes delightful plate** - May 04 2023

web oct 28 2020 easy vietnamese dinner recipes for a quick and filling meal you can make for your family after a busy day these recipes are perfect for weeknight meals as they can be either cooked in an hour or prepared ahead the list has a mix of main and side dishes you can choose and combine to create a tasty and nourishing meal

12 essential vietnamese recipes to know taste of home - Feb 01 2023

web apr 12 2021 bún bò huế with notes of lemongrass shrimp paste chili and rock sugar this spicy noodle soup features vermicelli noodles with an assortment of beef and pork cuts garnished with onions scallions vietnamese coriander and banana blossoms this dish is characteristic of the imperial cuisine of huế 8 12 baoquang getty images

**vietnamese cooking made easy simple flavorful and quick meals** - Apr 03 2023

web mar 13 2012 from chapters introducing basic vietnamese ingredients to sections devoted to appetizers noodles seafood and poultry this handy little book features a spiral binding making it an easy to use addition to your cookbook library

**vietnamese cooking made easy simple flavorful and quick** - Nov 17 2021

web from chapters introducing essential vietnamese ingredients to sections devoted to appetizers noodles seafood and

poultry this handy little book features a spiral binding making it an

**vietnamese cooking made easy overdrive** - Oct 29 2022

web mar 13 2012 perfect for beginning cooks this beautifully illustrated vietnamese cookbook provides easy to follow directions for quick and delicious vietnamese dishes famous for its lively fresh flavors and artfully composed meals vietnamese cooking is the

*vietnamese cooking made easy simple flavorful and quick* - Feb 18 2022

web buy vietnamese cooking made easy simple flavorful and quick meals vietnamese cookbook 50 recipes by periplus editors editor online at alibris we have new and used copies available in 1 editions starting at 1 49 shop now

**vietnamese cooking made easy simple flavorful and quick** - Oct 17 2021

web at its best when its flavors are balanced between salty sweet sour and hot vietnamese cooks strive for a balance of flavors so no one taste outranks any other vietnamese cooking made easy features over 50 recipes from delicate soups and stir fries to well seasoned grilled foods served with rice or noodles and are packed with fresh herbs and

**vietnamese cooking made easy simple flavorful and quick** - Jun 24 2022

web delicate soups and stir fries and well seasoned grilled foods served with rice or noodles are packed with fresh herbs and spices stunning photography and simple step by step instructions make vietnamese cooking made easy the perfect introduction to the world of vietnamese cuisine

*a taste of vietnam from hearty sour broths to fragrantly spiced* - Mar 22 2022

web 1 day ago must try dishes 1 bun rieu this popular soup from northern vietnam is known for its rich blend of flavours the red hued broth is made with crab tomatoes tofu and aromatic spices and is

[vietnamese cooking made easy simple flavorful and quick meals](#) - Apr 22 2022

web vietnamese cooking made easy simple flavorful and quick meals ebook written by periplus editors read this book using google play books app on your pc android ios devices download for

**6 easy vietnamese recipes you can make at home simply recipes** - Oct 09 2023

web may 14 2019 6 easy vietnamese recipes you can make at home have a hankering for vietnamese food we ve got 6 easy recipes you can totally make at home from a quick wok kissed beef pho to lettuce wraps by simply

*vietnamese cooking made easy simple flavorful and quick* - Jun 05 2023

web apr 1 2005 perfect for beginning cooks this beautifully illustrated vietnamese cookbook provides easy to follow directions for quick and delicious vietnamese dishes famous for its lively fresh flavors and artfully composed meals vietnamese cooking is the true healthy cuisine of asia

[15 vietnamese inspired recipes to try at home purewow](#) - Dec 31 2022

web feb 25 2019 17 korean inspired recipes to try at home the modern proper pork banh mi burger packed with raw and pickled veggies cilantro and lime and paired with marinated pork fish sauce and spicy chili sign us up get the recipe pinch of yum vietnamese chicken salad fresh tangy and crunchy this is exactly what we want when it s hot

**vietnamese cooking made easy by periplus editors used wob** - Dec 19 2021

web buy vietnamese cooking made easy simple flavorful and quick meals vietnamese cookbook 50 recipes by periplus editors available in used condition with free delivery in the uk isbn 9780794603472

vietnamese cooking made easy simple flavorful and quick meals - May 24 2022

web an icon used to represent a menu that can be toggled by interacting with this icon

*vietnamese cooking made easy simple flavorful and quick* - Nov 29 2022

web vietnamese cooking made easy simple flavorful and quick meals vietnamese cookbook 50 recipes learn to cook series periplus editors amazon com tr kitap

**vietnamese cooking made easy simple flavorful and quick** - Sep 27 2022

web abebooks com vietnamese cooking made easy simple flavorful and quick meals vietnamese cookbook 50 recipes learn to cook series 9780794603472 and a great selection of similar new used and collectible books available now at great prices

vietnamese cooking made easy simple flavorful and quick - Jan 20 2022

web jul 1 2005 buy vietnamese cooking made easy simple flavorful and quick meals vietnamese cookbook 50 recipes spiral book by periplus editors from as low as 4 98 it takes about 4 hours and 48 minutes on average for a reader to read

vietnamese cooking made easy simple flavorful and quick meals vietnamese cookbook 50

*vietnamese cooking made easy simple flavorful and quick* - Jul 06 2023

web at its best when its flavors are balanced between salty sweet sour and hot vietnamese cooks strive for a balance of flavors so no one taste outranks any other vietnamese cooking made easy

*25 easy vietnamese recipes the kitchen community* - Sep 08 2023

web jul 22 2023 vietnamese cooking focuses more on using fresh ingredients and doesn t rely much on oil or dairy products this distinction creates some intriguing textures and tastes below we ve found 22 easy vietnamese recipes you can make at home source vickypham com 1 vietnamese soup with stuffed cabbage

*vietnamese cooking made easy simple flavorful and quick* - Mar 02 2023

web apr 15 2005 booktopia has vietnamese cooking made easy simple flavorful and quick meals vietnamese cookbook 50 recipes by periplus editions buy a discounted spiral ringed book of vietnamese cooking made easy online from australia s leading online bookstore

**wooldridge j 2002 econometric analysis of cross section** - Oct 05 2022

web wooldridge j 2002 econometric analysis of cross section and panel data mit press author joe created date 4 4 2007 8 18 47 pm

**econometric analysis of cross section and panel data on jstor** - Dec 27 2021

web jun 24 2011 student s solutions manual and supplementary materials for econometric analysis of cross section and panel data second edition jeffrey m wooldridge mit press jun 24 2011

wooldridge econometric analysis of cross section and panel - Apr 30 2022

web oct 8 2023 by jeffrey wooldridge the mit press 2010 list price 90 00 estima s price 75 00 wooldridge s book is intended as a second semester graduate text it examines the special problems that the econometrician must face in applying linear regression instrumental variables gmm and sur estimators to cross section and panel data

**student s solutions manual and supplementary materials for** - Sep 04 2022

web student s solutions manual and supplementary materials for econometric analysis of cross section and panel data second edition by jeffrey m wooldridge 9780262731836 penguinrandomhouse com books this is the essential companion to the second edition of jeffrey wooldridge s widely used graduate econometrics text

**solutions manual and supplementary materials for** - May 12 2023

web this is the essential companion to jeffrey wooldridge s widely used graduate text econometric analysis of cross section and panel data mit press 2001 already established as a leading

econometric analysis of cross section and panel data - Mar 30 2022

web we would like to show you a description here but the site won t allow us

econpapers solutions manual and supplementary materials for - Feb 09 2023

web solutions manual and supplementary materials for econometric analysis of cross section and panel data vol 1 jeffrey wooldridge wooldri1 msu edu in mit press books from the mit press abstract this is the essential companion to the second edition of jeffrey wooldridge s widely used graduate econometrics text

**simple solutions to the initial conditions problem in dynamic** - Nov 06 2022

web feb 3 2005 simple solutions to the initial conditions problem in dynamic nonlinear panel data models with unobserved heterogeneity corresponding author professor jeffrey m wooldridge wooldri1 msu edu department of economics michigan state university usa department of economics michigan state university east lansing mi 48824

**econpapers solutions manual and supplementary materials for** - Mar 10 2023

web solutions manual and supplementary materials for econometric analysis of cross section and panel data vol 1 jeffrey wooldridge in mit press books from the mit press abstract this is the essential companion to jeffrey wooldridge s widely used graduate text econometric analysis of cross section and panel data mit press 2001 already

*solutions manual and supplementary materials for econometric* - Apr 11 2023

web aug 29 2003 solutions manual and supplementary materials for econometric analysis of cross section and panel data by jeffrey m wooldridge paperback 219 pp 9 x 11 in paperback 9780262232333 published august 29 2003 publisher the mit press out of print request permissions description author s

**solutions manual and supplementary materials for econometric** - Jul 02 2022

web solutions manual and supplementary materials for econometric analysis of cross section and panel data by jeffrey m wooldridge z lib university of bradford msc dissertation mal7012 e 2020 2021 to post comments topic 1 test rough material journals for research n a guest speaker 3 n a guest speaker 2 n a revision for labs introchem

**solutions manual and supplementary materials for** - Dec 07 2022

web jeffrey m wooldridge 2010 solutions manual and supplementary materials for econometric analysis of cross section and panel data mit press books the mit press edition 2 volume 1 number 0262731835 february handle repec mtp titles 0262731835

wooldridge solutions student solutions manual jeffrey - Jun 01 2022

web solution manual for wooldridge student solutions manual jeffrey wooldridge introductory econometrics modern approach 4e contents preface iv chapter skip to document chapter 14 advanced panel data methods 78 chapter 15 instrumental variables estimation and two stage 85 least squares

*credo introduces hiwire pluggable patch panel p3 to* - Oct 25 2021

web this is the essential companion to jeffrey wooldridge s widely used graduate text econometric analysis of cross section and panel data mit press 2001 already established as a leading graduate econometrics text the book offers an intuitive yet rigorous treatment of two methods used in econometric research cross section and panel data

**student s solutions manual and supplementary materials for** - Nov 25 2021

web 22 hours ago our connectivity solutions are optimized for optical and electrical ethernet applications including the emerging 100g or gigabits per second 200g 400g 800g and the emerging 1 6t terabits

**solutions manual and supplementary materials for econometric** - Feb 26 2022

web solutions manual and supplementary materials for econometric analysis of cross section and panel data year of publication 2003 authors wooldridge jeffrey m econometric analysis of cross section and panel data hauptbd wooldridge jeffrey m 2002 analysis of microdata with 41 tables

*solutions manual and supplementary materials for econometric* - Sep 23 2021

**jeffrey m wooldridge solutions manual and supplementary** - Aug 03 2022

web jeffrey m wooldridge solutions manual and supplementary materials for econometric analysis of cross section and panel data 2003 free download as pdf file pdf text file txt or read online for free

**jeffrey m wooldridge instructor s solutions manual for** - Sep 16 2023

web jeffrey m wooldridge instructor s solutions manual for econometric analysis of cross section and panel data the mit press 2011 pdf

**duke university** - Jan 08 2023

web do you want to learn how to apply econometric methods to cross section and panel data download this pdf file by wooldridge a renowned expert in the field and get access to his comprehensive and rigorous textbook that covers both theory and applications

**wooldridge solutions manual econometrics** - Jan 28 2022

web the second edition of this acclaimed graduate text provides a unified treatment of two methods used in contemporary econometric research cross section and data panel methods by focusing on assumptions that can be given behavioral content the book maintains an appropriate level of rigor while emphasizing intuitive thinking

econometric analysis of cross section and panel data ipc ig - Jun 13 2023

web 7 8 the linear panel data model revisited 169 7 8 1 assumptions for pooled ols 170 7 8 2 dynamic completeness 173 7 8 3 a note on time series persistence 175 7 8 4 robust asymptotic variance matrix 175 7 8 5 testing for serial correlation and heteroskedasticity after pooled ols 176 7 8 6 feasible gls estimation under strict

student s solutions manual and supplementary materials for - Jul 14 2023

web jun 24 2011 home business economics student s solutions manual and supplementary materials for econometric analysis of cross section and panel data second edition by jeffrey m wooldridge 40 00 paperback ebook rent etextbook 392 pp 9 x 11 in paperback 9780262731836 published june 24 2011 publisher the mit

*student solutions manual* - Aug 15 2023

web 2 v the sample contains 252 women the number of observations with female 1 and 274 men c1 3 i the largest is 100 the smallest is 0 iii 17 iv the average of math4 is about 71 9 and the average of read4 is about 60 1 so at

**foreigners buying property in singapore eligibility criteria and 6** - Jan 29 2022

web jun 6 2023 a post shared by propertyguru propertyguru for condominiums you will need to put down an option fee of 1 of the purchase price secure financing and pay the remaining option fee of 4 within a month after this you will need to pay the downpayment of 25 for foreigners you will need to pay the downpayment in cash

**antonio leone per fare affari con le aste** - Sep 17 2023

web le aste giudiziarie sono uno strumento per attuare la vendi ta forzata di un bene in queste circostanze è possibile

acquistare un immobile ad un prezzo inferiore a quello di mercato ma è necessario conoscere bene alcuni aspetti per non incorrere in brutte sorprese diventerai capace di comprendere come e quando investire

*amazon com br ebooks kindle le 11 regole per fare affari con le aste* - Aug 04 2022

web compre o ebook le 11 regole per fare affari con le aste immobiliari acquista a sconto e quasi non paghi tasse manuali per investitori immobiliari italian edition de leone antonio scarpetta francesca na loja ebooks kindle encontro ofertas os livros mais vendidos e dicas de leitura na amazon brasil

**come riuscire a fare veri affari con le aste immobiliari i trucchi** - Mar 11 2023

web jul 4 2023 i trucchi per una buona asta immobiliare designmag it news e curiosità grazie alle aste immobiliari è possibile fare dei grandi affari ecco tutti i trucchi che dovresti conoscere

the 2022 guide for foreigners buying property in singapore - Jun 02 2022

web jun 10 2022 the 2022 guide for foreigners buying property in singapore bluenest blog 65 3138 2554 singapore is an attractive place for foreigners to put down roots find out about the rules and potential pitfalls for foreign buyers of real estate

*come fare affari con le aste immobiliari* - May 13 2023

web dec 14 2022 in base alla normativa che regola gli esperimenti di vendita di un immobile all'asta ad ogni nuovo esperimento il prezzo viene ribassato di un 25 pertanto se un immobile è andato all'asta 3 o 4 volte senza successo dobbiamo chiederci come mai

**amazon com customer reviews le 11 regole per fare affari con le aste** - Oct 06 2022

web find helpful customer reviews and review ratings for le 11 regole per fare affari con le aste immobiliari acquista a sconto e quasi non paghi tasse manuali per investitori immobiliari italian edition at amazon com read

le 11 regole per fare affari con le aste immobiliari pdf - Oct 18 2023

web le 11 regole per fare affari con le aste immobiliari ritiro spirituale per impiegare in bene dell'anima otto o dieci giorni nella considerazione delle verità eterne all'idea degli esercizi spirituali di sant'ignazio loiola etc dec 22 2021

leadership nell'era della incertezza le nuove regole per fare le cose giuste in tempi

**buying property in singapore as a foreigner 99 co** - Dec 28 2021

web apr 27 2023 additional taxes for foreigners when buying property in singapore besides the usual taxes most foreigners will have to pay an added stamp duty in the form of the additional buyer's stamp duty (ABSD) for every residential property purchased this is an added tax of 6% of your property price up from 3% starting from 27 april 2023

**buying property in singapore as a foreigner what you need to** - May 01 2022

web a simplified mathematic formula to calculate the buyer's stamp duty are as follows purchase price or market value of the property sgd 1m or below 3 x price 5 400 purchase price or market value of the property above sgd 1m 4 x price 15 400

additional buyer s stamp duty rate table profile of buyer

come fare affari con le aste immobiliari guida introduttiva - Dec 08 2022

web ecco dunque spiegato in cinque semplici punti come fare affari con le aste immobiliari procedure che con i giusti accorgimenti si possono rivelare un ottima soluzione in tempo di crisi per rendere gli investimenti nel mattone ancor più vantaggiosi buona asta a tutti

**singapore property rules for foreigners sg home investment** - Mar 31 2022

web mar 31 2023 conditions for foreigners buying properties in sentosa cove under the singapore property rules since august 2004 foreigners are allowed to buy land parcels and completed bungalows in sentosa cove although approval is still needed from the land dealings approval unit ldao the conditions are less stringent

amazon com le 11 regole per fare affari con le aste immobiliari - Jun 14 2023

web feb 2 2017 le 11 regole per fare affari con le aste immobiliari acquista a sconto e quasi non paghi tasse manuali per investitori immobiliari italian edition kindle edition by leone antonio scarpetta francesca download it once and read it on your kindle device pc phones or tablets

aste immobiliari le regole d oro per fare affari thewam - Sep 05 2022

web aste immobiliari le regole d oro per fare affari aste immobiliari vediamo quali sono le regole d oro per fare affari a cosa fare attenzione e quali sono i rischi i vantaggi e gli svantaggi per i cittadini le strategie da adottare per

le 11 regole per fare affari con le aste immobiliari acquista a - Jan 09 2023

web achetez et téléchargez ebook le 11 regole per fare affari con le aste immobiliari acquista a sconto e quasi non paghi tasse manuali per investitori immobiliari italian edition boutique kindle ouvrages de référence amazon fr

**le 11 regole per fare affari con le aste immobiliari acquista a** - Jul 03 2022

web lee ahora en digital con la aplicación gratuita kindle le 11 regole per fare affari con le aste immobiliari acquista a sconto e quasi non paghi tasse manuali per investitori immobiliari italian edition ebook leone antonio scarpetta francesca amazon es tienda

**le 11 regole per fare affari con le aste immobiliari acquista a** - Apr 12 2023

web le 11 regole per fare affari con le aste immobiliari acquista a sconto e quasi non paghi tasse manuali per investitori immobiliari italian edition ebook leone antonio scarpetta francesca amazon com au kindle store

le 11 regole per fare affari con le aste immobili pdf - Feb 10 2023

web le 11 regole per fare affari con le aste immobili reti marittime come fattori dell integrazione europea maritime networks as a factor in european integration feb 08 2023 this wide ranging theme takes braudel s concept of the mediterranean as its starting point braudel s



fare affari con le aste immobiliari sarpi immobiliare - Nov 07 2022

web fare affari con le aste immobiliari contro di comprare casa all asta tempistiche lunghe sia per diventare il proprietario effettivo sia per la liberazione dell immobile se non sai come gestire il post asta in base al tribunale di riferimento

le 11 regole per fare affari con le aste immobiliari acquista a - Aug 16 2023

web le 11 regole per fare affari con le aste immobiliari acquista a sconto e quasi non paghi tasse manuali per investitori immobiliari ebook leone antonio scarpetta francesca amazon it kindle store

**antonio tajani rigore su spesa e debito serve un fondo per** - Feb 27 2022

web nov 17 2023 spingiamo per la tassa sui giganti del web per l uguaglianza di genere per i giovani e l innovazione dall inizio della guerra in ucraina l italia è riuscita a diversificare velocemente buona parte dei suoi approvvigionamenti energetici l energia rimane una necessità cruciale per tutto il sistema italiano

**le 11 regole per fare affari con le aste immobiliari** - Jul 15 2023

web È naturale chiedersi se sia possibile imparare a fiutare un vero affare immobiliare come si impara a conoscere il mercato e quali siano le strategie appropriate per imparare a saperlo dominare questa guida ti avvinca al mondo immobiliare ed in particolare a come poter acquistare alle aste immobiliari