

Dodge Challenger 2011-2014 Workshop Manual

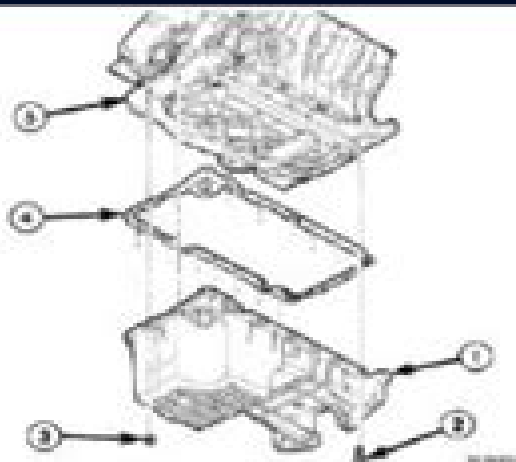


Fig. 420: OIL PAN AND GASKET
Courtesy of CHRYSLER LLC

- 1 - OIL PAN
- 2 - BOLT
- 3 - FASTENER
- 4 - GASKET
- 5 - ENGINE BLOCK

Install the engine oil pan. See Engine Lubrication Method - Installation.



Fig. 421: Crankshaft Sprocket Dowel Pin Removal/Installation

below the vehicle.

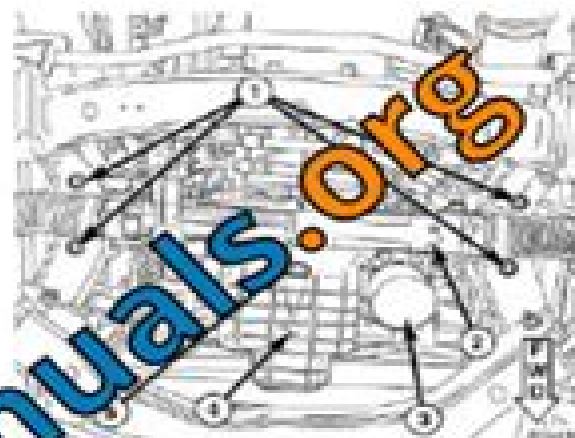
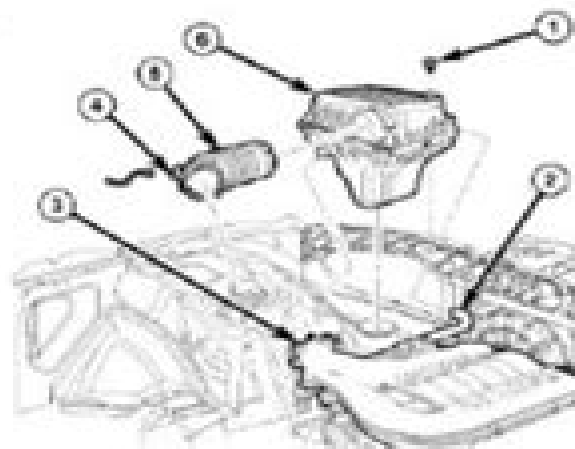


Fig. 21: Identifying Engine Mounts, Oil Pan, Drain Plug & Oil Filter
Courtesy of CHRYSLER LLC

Remove the engine mounting to cradle fasteners (1).



Seadoo 230 Challenger 2011 Workshop Manual

Robert R. Redfield



Seadoo 230 Challenger 2011 Workshop Manual:

Embark on a transformative journey with Written by is captivating work, **Seadoo 230 Challenger 2011 Workshop Manual** . This enlightening ebook, available for download in a convenient PDF format , invites you to explore a world of boundless knowledge. Unleash your intellectual curiosity and discover the power of words as you dive into this riveting creation. Download now and elevate your reading experience to new heights .

https://crm.avenza.com/data/scholarship/Documents/nelson_international_mathematics_2nd_edition_workbook_1b.pdf

Table of Contents Seadoo 230 Challenger 2011 Workshop Manual

1. Understanding the eBook Seadoo 230 Challenger 2011 Workshop Manual
 - The Rise of Digital Reading Seadoo 230 Challenger 2011 Workshop Manual
 - Advantages of eBooks Over Traditional Books
2. Identifying Seadoo 230 Challenger 2011 Workshop Manual
 - Exploring Different Genres
 - Considering Fiction vs. Non-Fiction
 - Determining Your Reading Goals
3. Choosing the Right eBook Platform
 - Popular eBook Platforms
 - Features to Look for in an Seadoo 230 Challenger 2011 Workshop Manual
 - User-Friendly Interface
4. Exploring eBook Recommendations from Seadoo 230 Challenger 2011 Workshop Manual
 - Personalized Recommendations
 - Seadoo 230 Challenger 2011 Workshop Manual User Reviews and Ratings
 - Seadoo 230 Challenger 2011 Workshop Manual and Bestseller Lists
5. Accessing Seadoo 230 Challenger 2011 Workshop Manual Free and Paid eBooks
 - Seadoo 230 Challenger 2011 Workshop Manual Public Domain eBooks
 - Seadoo 230 Challenger 2011 Workshop Manual eBook Subscription Services
 - Seadoo 230 Challenger 2011 Workshop Manual Budget-Friendly Options

6. Navigating Seadoo 230 Challenger 2011 Workshop Manual eBook Formats
 - ePub, PDF, MOBI, and More
 - Seadoo 230 Challenger 2011 Workshop Manual Compatibility with Devices
 - Seadoo 230 Challenger 2011 Workshop Manual Enhanced eBook Features
7. Enhancing Your Reading Experience
 - Adjustable Fonts and Text Sizes of Seadoo 230 Challenger 2011 Workshop Manual
 - Highlighting and Note-Taking Seadoo 230 Challenger 2011 Workshop Manual
 - Interactive Elements Seadoo 230 Challenger 2011 Workshop Manual
8. Staying Engaged with Seadoo 230 Challenger 2011 Workshop Manual
 - Joining Online Reading Communities
 - Participating in Virtual Book Clubs
 - Following Authors and Publishers Seadoo 230 Challenger 2011 Workshop Manual
9. Balancing eBooks and Physical Books Seadoo 230 Challenger 2011 Workshop Manual
 - Benefits of a Digital Library
 - Creating a Diverse Reading Collection Seadoo 230 Challenger 2011 Workshop Manual
10. Overcoming Reading Challenges
 - Dealing with Digital Eye Strain
 - Minimizing Distractions
 - Managing Screen Time
11. Cultivating a Reading Routine Seadoo 230 Challenger 2011 Workshop Manual
 - Setting Reading Goals Seadoo 230 Challenger 2011 Workshop Manual
 - Carving Out Dedicated Reading Time
12. Sourcing Reliable Information of Seadoo 230 Challenger 2011 Workshop Manual
 - Fact-Checking eBook Content of Seadoo 230 Challenger 2011 Workshop Manual
 - Distinguishing Credible Sources
13. Promoting Lifelong Learning
 - Utilizing eBooks for Skill Development
 - Exploring Educational eBooks
14. Embracing eBook Trends
 - Integration of Multimedia Elements

- Interactive and Gamified eBooks

Seadoo 230 Challenger 2011 Workshop Manual Introduction

In the digital age, access to information has become easier than ever before. The ability to download Seadoo 230 Challenger 2011 Workshop Manual has revolutionized the way we consume written content. Whether you are a student looking for course material, an avid reader searching for your next favorite book, or a professional seeking research papers, the option to download Seadoo 230 Challenger 2011 Workshop Manual has opened up a world of possibilities. Downloading Seadoo 230 Challenger 2011 Workshop Manual provides numerous advantages over physical copies of books and documents. Firstly, it is incredibly convenient. Gone are the days of carrying around heavy textbooks or bulky folders filled with papers. With the click of a button, you can gain immediate access to valuable resources on any device. This convenience allows for efficient studying, researching, and reading on the go. Moreover, the cost-effective nature of downloading Seadoo 230 Challenger 2011 Workshop Manual has democratized knowledge. Traditional books and academic journals can be expensive, making it difficult for individuals with limited financial resources to access information. By offering free PDF downloads, publishers and authors are enabling a wider audience to benefit from their work. This inclusivity promotes equal opportunities for learning and personal growth. There are numerous websites and platforms where individuals can download Seadoo 230 Challenger 2011 Workshop Manual. These websites range from academic databases offering research papers and journals to online libraries with an expansive collection of books from various genres. Many authors and publishers also upload their work to specific websites, granting readers access to their content without any charge. These platforms not only provide access to existing literature but also serve as an excellent platform for undiscovered authors to share their work with the world. However, it is essential to be cautious while downloading Seadoo 230 Challenger 2011 Workshop Manual. Some websites may offer pirated or illegally obtained copies of copyrighted material. Engaging in such activities not only violates copyright laws but also undermines the efforts of authors, publishers, and researchers. To ensure ethical downloading, it is advisable to utilize reputable websites that prioritize the legal distribution of content. When downloading Seadoo 230 Challenger 2011 Workshop Manual, users should also consider the potential security risks associated with online platforms. Malicious actors may exploit vulnerabilities in unprotected websites to distribute malware or steal personal information. To protect themselves, individuals should ensure their devices have reliable antivirus software installed and validate the legitimacy of the websites they are downloading from. In conclusion, the ability to download Seadoo 230 Challenger 2011 Workshop Manual has transformed the way we access information. With the convenience, cost-effectiveness, and accessibility it offers, free PDF downloads have become a popular choice for students, researchers, and book lovers worldwide. However, it is crucial to engage in ethical downloading practices and prioritize personal security when utilizing online platforms. By doing

so, individuals can make the most of the vast array of free PDF resources available and embark on a journey of continuous learning and intellectual growth.

FAQs About Seadoo 230 Challenger 2011 Workshop Manual Books

What is a Seadoo 230 Challenger 2011 Workshop Manual PDF? A PDF (Portable Document Format) is a file format developed by Adobe that preserves the layout and formatting of a document, regardless of the software, hardware, or operating system used to view or print it. **How do I create a Seadoo 230 Challenger 2011 Workshop Manual PDF?** There are several ways to create a PDF: Use software like Adobe Acrobat, Microsoft Word, or Google Docs, which often have built-in PDF creation tools. Print to PDF: Many applications and operating systems have a "Print to PDF" option that allows you to save a document as a PDF file instead of printing it on paper. Online converters: There are various online tools that can convert different file types to PDF. **How do I edit a Seadoo 230 Challenger 2011 Workshop Manual PDF?** Editing a PDF can be done with software like Adobe Acrobat, which allows direct editing of text, images, and other elements within the PDF. Some free tools, like PDFescape or Smallpdf, also offer basic editing capabilities. **How do I convert a Seadoo 230 Challenger 2011 Workshop Manual PDF to another file format?** There are multiple ways to convert a PDF to another format: Use online converters like Smallpdf, Zamzar, or Adobe Acrobats export feature to convert PDFs to formats like Word, Excel, JPEG, etc. Software like Adobe Acrobat, Microsoft Word, or other PDF editors may have options to export or save PDFs in different formats. **How do I password-protect a Seadoo 230 Challenger 2011 Workshop Manual PDF?** Most PDF editing software allows you to add password protection. In Adobe Acrobat, for instance, you can go to "File" -> "Properties" -> "Security" to set a password to restrict access or editing capabilities. Are there any free alternatives to Adobe Acrobat for working with PDFs? Yes, there are many free alternatives for working with PDFs, such as: LibreOffice: Offers PDF editing features. PDFsam: Allows splitting, merging, and editing PDFs. Foxit Reader: Provides basic PDF viewing and editing capabilities. **How do I compress a PDF file?** You can use online tools like Smallpdf, ILovePDF, or desktop software like Adobe Acrobat to compress PDF files without significant quality loss. Compression reduces the file size, making it easier to share and download. **Can I fill out forms in a PDF file?** Yes, most PDF viewers/editors like Adobe Acrobat, Preview (on Mac), or various online tools allow you to fill out forms in PDF files by selecting text fields and entering information. Are there any restrictions when working with PDFs? Some PDFs might have restrictions set by their creator, such as password protection, editing restrictions, or print restrictions. Breaking these restrictions might require specific software or tools, which may or may not be legal depending on the circumstances and local laws.

Find Seadoo 230 Challenger 2011 Workshop Manual :

nelson international mathematics 2nd edition workbook 1b

~~nerb dental hygiene board exams~~

netopia 4652 manual

neco 2014 electrical installation answers

~~nemureru bijo yasunari kawabata~~

neds declassified school survival guide cast

nelson mandela metropolitan 2015 prospects

nemo t0coeur de glace

netgear wireless router set up manual

neff oven manual b1542

~~need fuse box diagram 2003 ford escape~~

need help writing a essay

net ionic quiz answers

~~net examination question papers~~

need service manual for kenmore refrigerator

Seadoo 230 Challenger 2011 Workshop Manual :

erlebniswandern mit kindern münchen berge bücher de - Dec 29 2022

web aug 12 2017 hier sind fünf tipps für schöne wanderungen mit kindern aus dem cappu mum archiv alle auf familientauglichkeit getestet 1 der blomberg mit

wandern mit kindern münchen hausberge - Nov 27 2022

web wandern mit kindern ist abenteuer und spaß spannung und ausgelassenheit die touren müssen jedoch kindgerecht und abwechslungsreich sein und immer etwas besonderes

erlebniswandern mit kindern münchen berge 31 touren - Jan 30 2023

web wandern mit kindern ist abenteuer und spaß spannung und ausgelassenheit die touren müssen jedoch kindgerecht und abwechslungsreich sein und immer etwas besonderes

erlebniswandern mit kindern münchen berge freytag berndt - Sep 06 2023

web die touren müssen jedoch kindgerecht und abwechslungsreich sein und immer etwas besonderes bieten genau wie die

wanderungen im rother wanderbuch
erlebniswandern mit kindern münchner berge 31 touren - Jan 18 2022

erlebniswandern mit kindern munchner berge 31 tou copy mail - Dec 17 2021

erlebniswandernmitkindermunchnerberge31tou taowei - Mar 20 2022

web may 18th 2020 dateiname erlebniswandern mit kindern munchner berge 31 touren zwischen fussen und inntal format pdf epub mobi docx lesen 488 herunterladen 1618

erlebniswandern mit kindern münchner berge 31 touren - Oct 07 2023

web erlebniswandern mit kindern münchner berge 31 touren zwischen füssen und inntal soeffker eduard soeffker sigrid stickel stephanie amazon de bücher

erlebniswandern mit kindern münchner berge thalia - Jun 03 2023

web wandern mit kindern ist abenteuer und spaß spannung und ausgelassenheit die touren müssen jedoch kindgerecht und abwechslungsreich sein und immer etwas besonderes

münchner berge erlebniswandern mit kindern bergverlag rother - Aug 05 2023

web münchner berge erlebniswandern mit kindern von eduard soeffker und sigrid soeffker isbn 978 3 7633 3053 9 inkl ges mwst und zzgl versandkosten auf die

erlebniswandern mit kindern münchner berge google books - Sep 25 2022

web erlebniswandern mit kindern munchner berge 31 tou 3 3 touren für die ganze familie in den münchner bergen nach dem bestseller erlebniswandern mit kindern

ausflugsvergnügen 11 touren zum wandern mit - Feb 28 2023

web erlebniswandern mit kindern münchner berge 31 touren zwischen füssen und dem inntal mit gps tracks by soeffker eduard soeffker sigrid isbn 10 3763330534

erlebniswandern mit kindern münchner berge 31 touren - Aug 25 2022

web 2 erlebniswandern mit kindern munchner berge 31 tou 2021 10 15 und schlechtwettertipps vorgestellt hochseilgärten burgruinen besucherbergwerke und

erlebniswandern mit kindern münchner berge 31 touren - Apr 20 2022

web erlebniswandern mit kindern münchner umland münchener nachrichten erlebniswandern mit kindern munchner berge 31 tou omb no edited by hull

erlebniswandern mit kindern munchner berge 31 tou - Jun 22 2022

web oct 6 2023 kindern münchner umland 34 cbea6 erlebniswanern mit kindern munchner berge 31 touren
erlebniswandern mit kindern munchner berge 31 touren münchner

erlebniswandern mit kindern munchner berge 31 tou download - Jul 24 2022

web may 5 2023 erlebniswandern mit kindern münchner berge 31 touren zwischen füßen und inntal von eduard soeffker
broschiert 16 90 nur noch 20 auf lager mehr ist unterwegs

wandern mit kindern münchen umland 5 bergtouren für familie - Oct 27 2022

web bücher stöbern erlebniswandern mit kindern münchner berge 31 touren zwischen füßen und inntal soeffker eduard
soeffker sigrid stickel stephanie isbn 9783763330539

erlebniswandern mit kindern munchner berge 31 tou copy - Feb 16 2022

web erlebniswandern mit kindern munchner berge 31 tou downloaded from mail thekingiscoming com by guest trinity
melody erlebniswandern mit kindern

erlebniswandern mit kindern munchner berge 31 tou 2023 - Apr 01 2023

web erlebniswandern mit kindern münchner berge apr 18 2023 wandern mit kindern ist abenteuer und spaß spannung und
ausgelassenheit die touren müssen jedoch

erlebniswandern mit kindern münchner berge 31 touren - Jul 04 2023

web erlebniswandern mit kindern münchner berge 31 touren zwischen füßen und inntal mit gps tracks soeffker eduard
soeffker sigrid amazon com tr

münchner berge 2 erlebniswandern mit kindern rother - May 02 2023

web 30 wanderkärtchen im maßstab 1 15 000 bis 1 50 000 31 höhenprofile eine Übersichtskarte tourenübersicht gps tracks
zum download reihe rother

erlebniswandern mit kindern münchner berge 31 touren - May 22 2022

web erlebniswandern mit kindern mnchner berge 31 touren eduard soeffker geboren 1969 in mnchen ist schon von
kinderbeinen an im mnchner umland und in den buch

räthglobus dfn 5070 dfn 5070 standleuchtglobus klassischer - Jul 10 2022

web räthglobus dfn 5070 dfn 5070 standleuchtglobus klassischer globus by unbekannt standleuchtglobus john deere 5070m
technische daten deutschland 507 ndud shop de am häufigsten gewünscht

hochwertiger globus globus kaufen - Sep 12 2022

web ein stativ aus dunklem eschenholz und ein schwenkbarer meridian aus verchromten metall geben unserem blauen
planeten den richtigen rahmen die hocha

rathglobus dfn 5070 dfn 5070 standleuchtglobus kl - Jun 09 2022

web rathglobus dfn 5070 dfn 5070 standleuchtglobus kl rathglobus dfn 5070 dfn 5070 standleuchtglobus kl 1 downloaded from old restorativejustice org on 2023 02 25 by guest eventually you will utterly discover a additional experience and skill by spending more cash still when complete you assume that you require to acquire those every needs

räthglobus dfn 5070 dfn 5070 standleuchtglobus - Mar 18 2023

web apr 5 2011 räthglobus dfn 5070 dfn 5070 standleuchtglobus klassischer globus amazon de garden

rathglobus dfn 5070 dfn 5070 standleuchtglobus kl - Mar 06 2022

web rathglobus dfn 5070 dfn 5070 standleuchtglobus kl eventually you will completely discover a further experience and realization by spending more cash still rathglobus dfn 5070 dfn 5070 standleuchtglobus kl pdf created date 3 27 2014 7 52 30 pm

räthglobus dfn 5070 neue impulse verlag gmbh - Apr 19 2023

web dfn 5070 standleuchtglobus mit 50 cm durchmesser mit satellitendaten erstellte gis kartografie physisch hochaufgelöste kartografie mit vegetationsangaben echtholzgestell wengefarben metall vollmeridian sil

rathglobus dfn 5070 dfn 5070 standleuchtglobus kl download - Aug 11 2022

web it is your extremely own times to con reviewing habit along with guides you could enjoy now is rathglobus dfn 5070 dfn 5070 standleuchtglobus kl below rathglobus dfn 5070 dfn 5070 standleuchtglobus kl downloaded from registration joniandfriends org by guest grant simpson

rathglobus dfn 5070 dfn 5070 standleuchtglobus kl pdf - Apr 07 2022

web rathglobus dfn 5070 dfn 5070 standleuchtglobus kl pdf is available in our book collection an online access to it is set as public so you can get it instantly our books collection spans in multiple locations allowing you to get the most less latency time to download any of our books like this one

räthglobus dfn 5070 dfn 5070 standleuchtglobus klassischer - Jul 22 2023

web räthglobus dfn 5070 brencher may 20th 2020 dfn 5070 standleuchtglobus mit 50 cm durchmesser mit satellitendaten erstellte gis kartografie physisch hochaufgelöste kartografie mit vegetationsangaben echtholzgestell wengefarben metall vollmeridian silberfarben transparente zuleitung mit schnurschalter energiesparlampe 7w gesamthöhe 1 03 m

räthglobus dfn 5070 dfn 5070 standleuchtglobus klassischer - May 20 2023

web räthglobus dfn 5070 dfn 5070 standleuchtglobus klassischer globus by unbekannt may 24th 2020 dl5070 flight tracker track the real time flight status of dl 5070 live using the flightstats global flight tracker see if your flight has been delayed or cancelled and track the live position on a map

rathglobus dfn 5070 dfn 5070 standleuchtglobus kl download - Dec 15 2022

web the rathglobus dfn 5070 dfn 5070 standleuchtglobus kl it is extremely simple then before currently we extend the join to

buy and make bargains to download and install rathglobus dfn 5070 dfn 5070 standleuchtglobus kl therefore simple rathglobus dfn 5070 dfn 5070 standleuchtglobus kl 2019 10 27 lyric abbey

dieser edle doppelbild leuchtglobus ist handkaschiert - Nov 14 2022

web handkaschierter doppelbild leuchtglobus dfn 37 03 traditionell handkaschierte kugel mit einem durchmesser von 37 cm fuß und meridian aus gebürstetem edelstahl gesamthöhe 42 cm doppelbild kartografie mit physischer und politischer ansicht licht aus moderne mit satellitenbilder und daten erstellte physische kartografie licht an

räthglobus dfn 5070 globes räthgloben 1917 freytag berndt - Jun 21 2023

web dfn 5070 standleuchtglobus mit 50 cm durchmesser mit satellitendaten erstellte gis kartografie physisch ab 24 gratis versand nach at de online bestellen räthglobus dfn 5070 globes räthgloben 1917 freytag berndt

räthglobus dfn 5070 dfn 5070 standleuchtglobus klassischer - Feb 05 2022

web sep 14 2023 räthglobus dfn 5070 dfn 5070 standleuchtglobus klassischer globus by unbekannt dt 5070 f v semi automatic flat bed screen printing press räthglobus dfn 5070 dfn 5070 standleuchtglobus standglobus leuchtglobus dfn 50 80 ø 50 cm räthglobus dfn 5070 brencher räthglobus dfn 3702 ebay 507 ndud shop dfn 5080 räthglobus freytag

räthgloben 1917 standglobus dfn 50 80 globen und karten de - Feb 17 2023

web globen räthgloben 1917 df räthgloben 1917 standglobus dfn 50 80 artikel nr 20493 standglobus dfn 50 80 1 590 inkl mwst zzgl versandkosten kurzfristig versandfertig in 1 2 wochen laufzeit in den warenkorb fragen zum produkt beratung für

räthglobus dfn 5070 globen räthgloben 1917 freytag berndt - Aug 23 2023

web dfn 5070 standleuchtglobus mit 50 cm durchmesser mit satellitendaten erstellte gis kartografie physisch ab 24 gratis versand nach at de online bestellen räthglobus dfn 5070 globen räthgloben 1917 freytag berndt

räthglobus dfn 5070 dfn 5070 standleuchtglobus klassischer - Sep 24 2023

web dfn 5070 standleuchtglobus mit 50 cm durchmesser mit satellitendaten erstellte gis kartografie physisch hochaufgelöste kartografie mit vegetationsangaben echtholzgestell wengefarben metall vollmeridian

rathglobus dfn 5070 dfn 5070 standleuchtglobus kl pdf book - Oct 13 2022

web may 12 2023 this online revelation rathglobus dfn 5070 dfn 5070 standleuchtglobus kl pdf can be one of the options to accompany you next having supplementary time it will not waste your time take me the e book will entirely make public you further event to read

räthglobus dfn 5070 hugendubel fachinformationen - Jan 16 2023

web räthglobus dfn 5070 von jetzt online bestellen portofrei schnell zuverlässig kein mindestbestellwert individuelle rechnung 20 millionen titel

rathglobus dfn 5070 dfn 5070 standleuchtglobus kl copy - May 08 2022

web those all we give rathglobus dfn 5070 dfn 5070 standleuchtglobus kl and numerous books collections from fictions to scientific research in any way accompanied by them is this rathglobus dfn 5070 dfn 5070 standleuchtglobus kl that can be your partner räthglobus dfn 5070 dfn 5070 standleuchtglobus 2023 04 07 web dfn 5070

west from home wikiwand - May 31 2022

web feb 28 2022 by laura ingalls wilder and roger lea macbride a selection of letters by laura ingalls wilder to her husband in which she describes the highlights of her visit to

west from home letters of laura ingalls wilder san francisco - Feb 08 2023

web dec 4 2022 by laura ingalls wilder and roger lea macbride a selection of letters by laura ingalls wilder to her husband in which she describes the highlights of her visit to

[west from home letters of laura ingalls wilder to almanzo wilder](#) - Jan 27 2022

web a selection of letters by laura ingalls wilder to her husband in which she describes the highlights of her visit to the west coast in 1915

[west from home wikipedia](#) - Jul 13 2023

west from home is a collection of letters sent by the american journalist laura ingalls wilder to her husband almanzo wilder in 1915 published by harper row in 1974 with the subtitle letters of laura ingalls wilder san francisco 1915 it was edited by roger macbride the literary executor of their daughter rose wilder lane and provided with a historical setting by margot patterso

west from home letters of laura ingalls wilder san - Apr 10 2023

web this fascinating firsthand account of life and travel in the early twentieth century includes 24 pages of photographs it is like a fairyland so laura ingalls wilder author of the

west from home letters of laura ingalls wilder to almanzo - Nov 24 2021

web an edition of west from home letters of laura ingalls wilder san francisco 1915 1974

west from home letters of laura ingalls wilder san francisco - Jul 01 2022

web west from home is a collection of letters sent by the american journalist laura ingalls wilder to her husband almanzo wilder in 1915 published by harper row in 1974 with

west from home letters of laura ingalls wilder san francisco - Dec 06 2022

web published for the first time mrs wilder s letters to her husband describe her trip from mansfield missouri to san francisco during the 1915 panama pacific exposition

[west from home letters of laura ingalls wilder san francisco](#) - Dec 26 2021

web west from home letters of laura ingalls wilder to almanzo wilder san francisco 1915 wilder laura ingalls 1867 1957 free

download borrow and streaming internet

west from home letters of laura ingalls wilder san francisco - Nov 05 2022

web west from home book read 186 reviews from the world s largest community for readers in 1915 laura ingalls wilder traveled by train from her hom

letters of laura ingalls wilder san francisco 1915 open library - Oct 24 2021

west from home letters of laura ingalls wilder to almanzo - Jun 12 2023

web west from home letters of laura ingalls wilder to almanzo wilder san francisco 1915 wilder laura ingalls 1867 1957 free download borrow and streaming internet

west from home letters of laura ingalls wilder to almanzo - Feb 25 2022

web the book is a series of letters from laura ingalls wilder to her husband almanzo manly wilder as she traveled from missouri to san francisco in 1915 to visit their only daughter

west from home letters of laura ingalls wilder san - May 11 2023

web this fascinating firsthand account of life and travel in the early twentieth century includes 24 pages of photographs it is like a fairyland so laura ingalls wilder author of the

west from home letters of laura ingalls wilder to almanzo - Aug 02 2022

web west of home is a series of letters that laura wrote to almanzo while she was visitng rose wilder lane in 1915 san francisco due to the farm it was decided that almanzo would

west from home by laura ingalls wilder open library - Jan 07 2023

web laura s husband almanzo was unable to leave their missouri farm and it is her faithful letters home vividly describing every detail of her journey that have been gathered

west from home letters of laura ingalls wilder san - Mar 09 2023

web so laura ingalls wilder described her 1915 voyage to san francisco to visit her daughter rose wilder lane laura s husband almanzo was unable to leave their missouri farm

pdf epub west from home letters of laura ingalls wilder - Mar 29 2022

web the book is a series of letters from laura ingalls wilder to her husband almanzo manly wilder as she traveled from missouri to san francisco in 1915 to visit their only daughter

west from home letters of laura ingalls wilder san fr - Aug 14 2023

web nov 1 1974 3 84 4 589 ratings194 reviews in 1915 laura ingalls wilder traveled by train from her home in missouri to san francisco laura s westward journey to visit her

west from home letters of laura ingalls wilder san francisco - Sep 03 2022

web west from home letters of laura ingalls wilder to almanzo wilder san francisco 1915 authors laura ingalls wilder author
roger lea macbride editor margot

west from home by laura ingalls wilder open library - Apr 29 2022

web december 6 2022 pdf epub west from home letters of laura ingalls wilder san francisco 1915 little house 11 download by
laura ingalls wilder download west

west from home letters of laura ingalls wilder san francisco - Oct 04 2022

web oct 20 1976 west from home letters of laura ingalls wilder san francisco 1915 turtleback school library binding edition
school library binding october 20