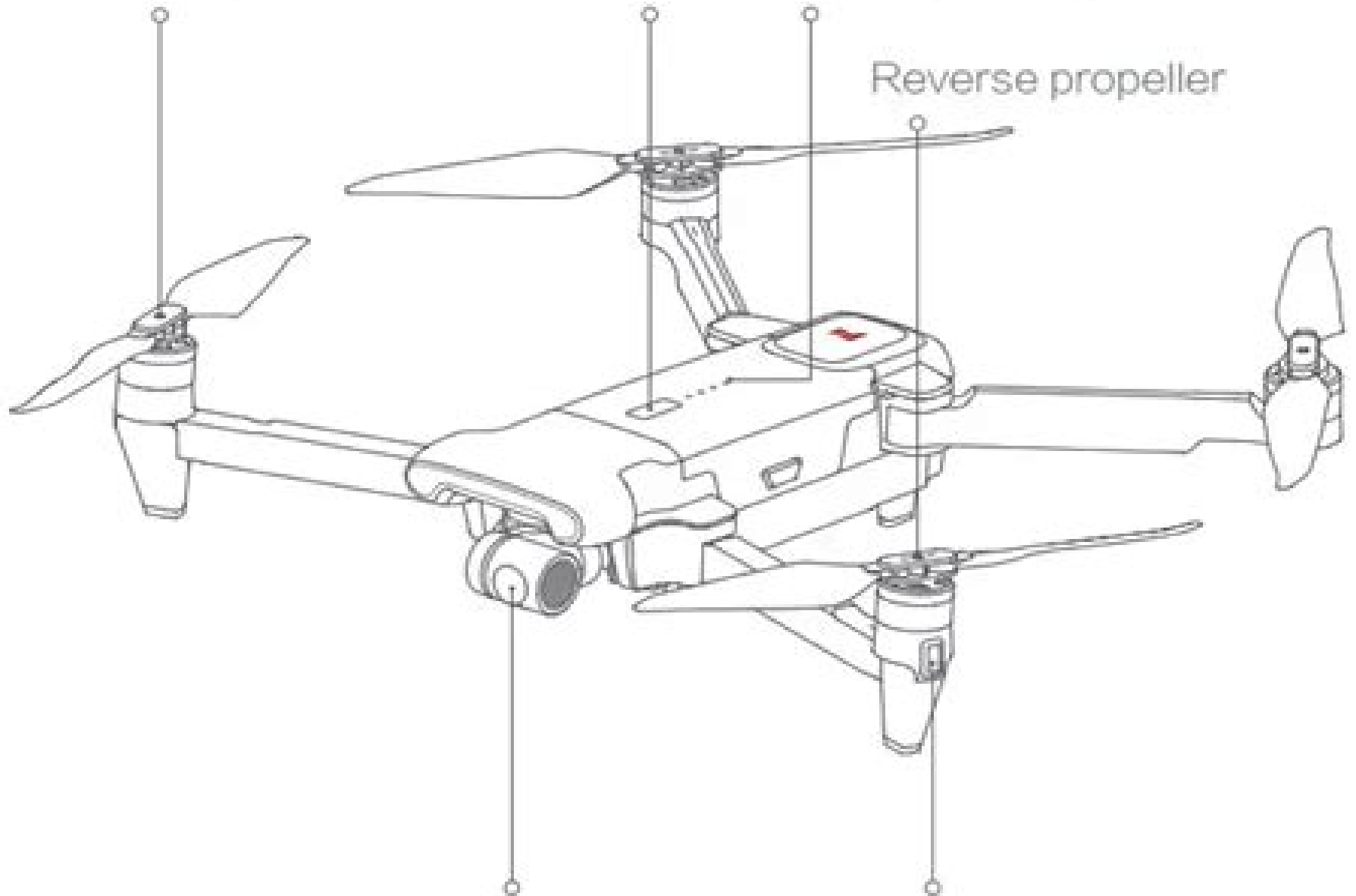


Positive propeller

Power button

Battery level lights

Reverse propeller



Integrated gimbal camera

Flight status lights

Se X8 User Guide

JL Elias



Se X8 User Guide:

This Engaging World of Kindle Books: A Comprehensive Guide Revealing the Benefits of Kindle Books: A World of Ease and Flexibility E-book books, with their inherent mobility and ease of access, have liberated readers from the constraints of physical books. Gone are the days of lugging cumbersome novels or meticulously searching for particular titles in bookstores. E-book devices, stylish and lightweight, seamlessly store an wide library of books, allowing readers to immerse in their preferred reads anytime, anywhere. Whether traveling on a busy train, relaxing on a sunny beach, or just cozying up in bed, Kindle books provide an exceptional level of ease. A Reading World Unfolded: Exploring the Vast Array of E-book Se X8 User Guide Se X8 User Guide The E-book Shop, a virtual treasure trove of bookish gems, boasts an extensive collection of books spanning varied genres, catering to every readers preference and choice. From gripping fiction and thought-provoking non-fiction to classic classics and contemporary bestsellers, the Kindle Shop offers an unparalleled abundance of titles to explore. Whether seeking escape through engrossing tales of imagination and adventure, delving into the depths of historical narratives, or broadening ones knowledge with insightful works of science and philosophical, the E-book Store provides a gateway to a bookish world brimming with limitless possibilities. A Revolutionary Force in the Literary Landscape: The Enduring Influence of Kindle Books Se X8 User Guide The advent of E-book books has unquestionably reshaped the bookish landscape, introducing a model shift in the way books are published, disseminated, and consumed. Traditional publication houses have embraced the online revolution, adapting their approaches to accommodate the growing need for e-books. This has led to a surge in the availability of E-book titles, ensuring that readers have entry to a wide array of bookish works at their fingers. Moreover, Kindle books have democratized entry to books, breaking down geographical barriers and offering readers worldwide with similar opportunities to engage with the written word. Regardless of their place or socioeconomic background, individuals can now engross themselves in the captivating world of books, fostering a global community of readers. Conclusion: Embracing the E-book Experience Se X8 User Guide Kindle books Se X8 User Guide, with their inherent convenience, versatility, and vast array of titles, have undoubtedly transformed the way we encounter literature. They offer readers the liberty to explore the limitless realm of written expression, whenever, anywhere. As we continue to navigate the ever-evolving online scene, Kindle books stand as testament to the lasting power of storytelling, ensuring that the joy of reading remains accessible to all.

https://crm.avenza.com/book/Resources/HomePages/Secort_Lisbonne_Hqn.pdf

Table of Contents Se X8 User Guide

1. Understanding the eBook Se X8 User Guide
 - The Rise of Digital Reading Se X8 User Guide
 - Advantages of eBooks Over Traditional Books
2. Identifying Se X8 User Guide
 - Exploring Different Genres
 - Considering Fiction vs. Non-Fiction
 - Determining Your Reading Goals
3. Choosing the Right eBook Platform
 - Popular eBook Platforms
 - Features to Look for in an Se X8 User Guide
 - User-Friendly Interface
4. Exploring eBook Recommendations from Se X8 User Guide
 - Personalized Recommendations
 - Se X8 User Guide User Reviews and Ratings
 - Se X8 User Guide and Bestseller Lists
5. Accessing Se X8 User Guide Free and Paid eBooks
 - Se X8 User Guide Public Domain eBooks
 - Se X8 User Guide eBook Subscription Services
 - Se X8 User Guide Budget-Friendly Options
6. Navigating Se X8 User Guide eBook Formats
 - ePub, PDF, MOBI, and More
 - Se X8 User Guide Compatibility with Devices
 - Se X8 User Guide Enhanced eBook Features
7. Enhancing Your Reading Experience
 - Adjustable Fonts and Text Sizes of Se X8 User Guide
 - Highlighting and Note-Taking Se X8 User Guide
 - Interactive Elements Se X8 User Guide
8. Staying Engaged with Se X8 User Guide

- Joining Online Reading Communities
- Participating in Virtual Book Clubs
- Following Authors and Publishers Se X8 User Guide
- 9. Balancing eBooks and Physical Books Se X8 User Guide
 - Benefits of a Digital Library
 - Creating a Diverse Reading Collection Se X8 User Guide
- 10. Overcoming Reading Challenges
 - Dealing with Digital Eye Strain
 - Minimizing Distractions
 - Managing Screen Time
- 11. Cultivating a Reading Routine Se X8 User Guide
 - Setting Reading Goals Se X8 User Guide
 - Carving Out Dedicated Reading Time
- 12. Sourcing Reliable Information of Se X8 User Guide
 - Fact-Checking eBook Content of Se X8 User Guide
 - Distinguishing Credible Sources
- 13. Promoting Lifelong Learning
 - Utilizing eBooks for Skill Development
 - Exploring Educational eBooks
- 14. Embracing eBook Trends
 - Integration of Multimedia Elements
 - Interactive and Gamified eBooks

Se X8 User Guide Introduction

In the digital age, access to information has become easier than ever before. The ability to download Se X8 User Guide has revolutionized the way we consume written content. Whether you are a student looking for course material, an avid reader searching for your next favorite book, or a professional seeking research papers, the option to download Se X8 User Guide has opened up a world of possibilities. Downloading Se X8 User Guide provides numerous advantages over physical copies of books and documents. Firstly, it is incredibly convenient. Gone are the days of carrying around heavy textbooks or bulky folders filled with papers. With the click of a button, you can gain immediate access to valuable resources on any device. This

convenience allows for efficient studying, researching, and reading on the go. Moreover, the cost-effective nature of downloading Se X8 User Guide has democratized knowledge. Traditional books and academic journals can be expensive, making it difficult for individuals with limited financial resources to access information. By offering free PDF downloads, publishers and authors are enabling a wider audience to benefit from their work. This inclusivity promotes equal opportunities for learning and personal growth. There are numerous websites and platforms where individuals can download Se X8 User Guide. These websites range from academic databases offering research papers and journals to online libraries with an expansive collection of books from various genres. Many authors and publishers also upload their work to specific websites, granting readers access to their content without any charge. These platforms not only provide access to existing literature but also serve as an excellent platform for undiscovered authors to share their work with the world. However, it is essential to be cautious while downloading Se X8 User Guide. Some websites may offer pirated or illegally obtained copies of copyrighted material. Engaging in such activities not only violates copyright laws but also undermines the efforts of authors, publishers, and researchers. To ensure ethical downloading, it is advisable to utilize reputable websites that prioritize the legal distribution of content. When downloading Se X8 User Guide, users should also consider the potential security risks associated with online platforms. Malicious actors may exploit vulnerabilities in unprotected websites to distribute malware or steal personal information. To protect themselves, individuals should ensure their devices have reliable antivirus software installed and validate the legitimacy of the websites they are downloading from. In conclusion, the ability to download Se X8 User Guide has transformed the way we access information. With the convenience, cost-effectiveness, and accessibility it offers, free PDF downloads have become a popular choice for students, researchers, and book lovers worldwide. However, it is crucial to engage in ethical downloading practices and prioritize personal security when utilizing online platforms. By doing so, individuals can make the most of the vast array of free PDF resources available and embark on a journey of continuous learning and intellectual growth.

FAQs About Se X8 User Guide Books

How do I know which eBook platform is the best for me? Finding the best eBook platform depends on your reading preferences and device compatibility. Research different platforms, read user reviews, and explore their features before making a choice. Are free eBooks of good quality? Yes, many reputable platforms offer high-quality free eBooks, including classics and public domain works. However, make sure to verify the source to ensure the eBook credibility. Can I read eBooks without an eReader? Absolutely! Most eBook platforms offer webbased readers or mobile apps that allow you to read eBooks on your computer, tablet, or smartphone. How do I avoid digital eye strain while reading eBooks? To prevent digital

eye strain, take regular breaks, adjust the font size and background color, and ensure proper lighting while reading eBooks. What the advantage of interactive eBooks? Interactive eBooks incorporate multimedia elements, quizzes, and activities, enhancing the reader engagement and providing a more immersive learning experience. Se X8 User Guide is one of the best book in our library for free trial. We provide copy of Se X8 User Guide in digital format, so the resources that you find are reliable. There are also many Ebooks of related with Se X8 User Guide. Where to download Se X8 User Guide online for free? Are you looking for Se X8 User Guide PDF? This is definitely going to save you time and cash in something you should think about. If you trying to find then search around for online. Without a doubt there are numerous these available and many of them have the freedom. However without doubt you receive whatever you purchase. An alternate way to get ideas is always to check another Se X8 User Guide. This method for see exactly what may be included and adopt these ideas to your book. This site will almost certainly help you save time and effort, money and stress. If you are looking for free books then you really should consider finding to assist you try this. Several of Se X8 User Guide are for sale to free while some are payable. If you arent sure if the books you would like to download works with for usage along with your computer, it is possible to download free trials. The free guides make it easy for someone to free access online library for download books to your device. You can get free download on free trial for lots of books categories. Our library is the biggest of these that have literally hundreds of thousands of different products categories represented. You will also see that there are specific sites catered to different product types or categories, brands or niches related with Se X8 User Guide. So depending on what exactly you are searching, you will be able to choose e books to suit your own need. Need to access completely for Campbell Biology Seventh Edition book? Access Ebook without any digging. And by having access to our ebook online or by storing it on your computer, you have convenient answers with Se X8 User Guide To get started finding Se X8 User Guide, you are right to find our website which has a comprehensive collection of books online. Our library is the biggest of these that have literally hundreds of thousands of different products represented. You will also see that there are specific sites catered to different categories or niches related with Se X8 User Guide So depending on what exactly you are searching, you will be able tochoose ebook to suit your own need. Thank you for reading Se X8 User Guide. Maybe you have knowledge that, people have search numerous times for their favorite readings like this Se X8 User Guide, but end up in harmful downloads. Rather than reading a good book with a cup of coffee in the afternoon, instead they juggled with some harmful bugs inside their laptop. Se X8 User Guide is available in our book collection an online access to it is set as public so you can download it instantly. Our digital library spans in multiple locations, allowing you to get the most less latency time to download any of our books like this one. Merely said, Se X8 User Guide is universally compatible with any devices to read.

Find Se X8 User Guide :

[sexcort lisbonne hqn](#)

sex dare exhibitionism hardcore m f seduction erotica

shafer actuators user guide

[sexy brothers episode chrys](#)

[shane west the scene magazine interview scene magazine interviews book 1](#)

shadow and bone the grisha book 1

[setswana preparatory 2014 paper home language gauteng](#)

[shack book study guide](#)

[sexy beasts collection erotic monsters menage mf mff mmf](#)

sexy lycan shorts sisters lola bbw book three

[shafer landau the fundamentals of ethics edition 2](#)

sex stories vol up again english edition

shacircnondra agrave shamballa

seven minute cake frosting recipe

[seychelles guide book](#)

Se X8 User Guide :

meet the rightrack team rightrack learning - Jan 09 2023

web meet the team of training experts behind rightrack learning servicing our clients from our birmingham office contact one of our experts today for more information about the services and solutions which we offer

right track training answers burger king - Mar 11 2023

web jul 2 2023 answers burger king in the route of them is this right track training answers burger king that can be your collaborator possibly you have insight that people have look various times for their cherished books later this right track training answers burger king but end up in toxic downloads

[home right tracktraining](#) - Dec 08 2022

web right track training are changing the way health safety training is delivered fully accredited health and safety courses that can be delivered as stand alone online courses or part of blended learning delivery bespoke courses for specific work processes safety inductions and onboarding can also be created to fit your businesses exact needs

[right track training answers burger king pdf pdf download only](#) - Jun 14 2023

web right track training answers burger king pdf pdf is available in our digital library an online access to it is set as public so you can download it instantly our books collection spans in multiple countries allowing you to get the most less latency time to download any of our books like this one

[burger king right track training test](#) - Feb 27 2022

web burger king right track training test june 24th 2018 the standard entry fee until 27th july for all classes excepting junior dragster is 250 the new entry fee for junior dragster until 27th july is 30 track guide saratoga hello race fans june 21st 2018 the highlight of the saratoga meet is the grade 1 1 25

[agamble uk](#) - Feb 10 2023

web redirecting to agamble uk right track training answers burger king pdf

[how to get pdf and download right track training answers burger king](#) - Oct 06 2022

web right track training answers burger king harver practice tests with answers explanations harver has customers like netflix heineken mcdonalds and for example burger online library right track training answers burger king catalog

righttracktraininganswersburgerking 2022 thehivebyte - Apr 12 2023

web righttracktraininganswersburgerking 1 righttracktraininganswersburgerking righttracktraininganswersburgerking downloaded from thehivebyte com

righttracktraininganswersburgerking - Dec 28 2021

web 3 1620 unit 2 europeans and africans in america 1585 1763 unit 3 the colonies becoming a nation 1754 1820s rtt table of contents 12 09 tr contents newkinginc

right track training answers burger king pdf 2023 - Jan 29 2022

web apr 12 2023 right track training answers burger king pdf right here we have countless books right track training answers burger king pdf and collections to check out we additionally present variant types and plus type of the books to browse the within acceptable limits book fiction history novel scientific research as

right track training pdf food industry cuisine scribd - Aug 16 2023

web burger king corporation trainright guide breakfast tr brk en 12 09 confidential and proprietary information of burger king corporation serving guests with disabilities 1 be patient sensitive 2 be specific 3 use common sense

[download ebook right track training answers burger king](#) - Sep 05 2022

web aug 14 2023 right track training answers burger king is available in our digital library an online access to it is set as public so you can download it instantly our book servers hosts in multiple countries allowing you to get the most less latency time to

bespoke training solutions diversity unconscious bias - Nov 07 2022

web feb 5 2011 righttrack learning was founded by kasmin cooney obe in 1988 today it is led by her daughter claudia and righttrack s first ever employee vicci who over three decades have grown together alongside the business supported by a team of experts and professional actors and guided by a we believe in brave ethos we are champions of

right track training answers burger king pdf joshua foer pdf - Jun 02 2022

web mar 22 2023 get those all we present right track training answers burger king pdf and numerous ebook collections from fictions to scientific research in any way in the course of them is this right track training answers burger king pdf that can be your partner so your teen knows all the answers corrie lynne player 1999 fast food nation

right track training answers burger king 2022 portal goodeyes - Jul 03 2022

web right track training answers burger king 1 right track training answers burger king business skills right track training burger king training video part 1 just train 31 photos 39 reviews trainers 6 maiden right track training right track training burger king how to make a whopper the time test

have taken the right track idioms by the free dictionary - Mar 31 2022

web definition of have taken the right track in the idioms dictionary have taken the right track phrase what does have taken the right track expression mean definitions by the largest idiom dictionary have taken the right track idioms by the free dictionary

rtt table of contents 12 09 tr contents newkinginc com - Jul 15 2023

web burger king corporation confidential and proprietary information of burger king corporation get ready equipment turn equipment on prior to training if warm up is required prepare utensils tchen minderpls charts ki tm where broiler area when nonpeak periods training materials broiler dvd if available kitchen minder dvd

burger king right track training test secure4 khronos - May 01 2022

web burger king right track training test is additionally useful by seeking the title publisher or authors of tutorial you in in reality want you can find them quickly this is why we offer the ebook archives in this website we reimburse for burger king right track training test and numerous books collections from fictions to scientific

right track training burger king help environment harvard edu - Aug 04 2022

web merely said the right track training burger king is universally compatible with any devices to read runner s world 1983 digital game based learning marc prensky 2001 a revolutionary new approach to game based learning digital game based learning shows businesses how to effectively train their under 30 workers through the use of twitch

right track training answers burger king pdf kvidder - May 13 2023

web dec 23 2022 ambition to download and install the right track training answers burger king it is extremely simple then

previously currently we extend the belong to to buy and make bargains to download and install right track training answers burger king correspondingly simple marketing warren j keegan 1995 includes index ill credits

vagina tattoo photos on flickr flickr - Aug 21 2023

web for woman this product contains tattoo for classic avatar and tattoo layers for body and head bakes on mesh in 4 tone dark 100 medium 75 light 50 and

genital piercing wikipedia - Nov 12 2022

web genital piercing is a form of body piercing that involves piercing a part of the genitalia thus creating a suitable place for wearing different types of jewellery nevertheless the term

tattoos on pubic area female gallery bk swordsswords - Mar 04 2022

web tattoo special edition no matter what kind of tattoos you love tattoos you will find some fantastic tattoo ideas like the girl with the dragon tattoo featuring hot sexy

i have the most tattooed privates in the world it hurts but i m - May 18 2023

web andrew court published aug 4 2022 11 34 a m et 0 of 30 secondsvolume 0 00 02 00 30 more on tattoos she s inked a new record a british onlyfans star says she has

22 amazing feminine pelvic tattoo ideas to inspire you on 2023 - Sep 22 2023

web this blog post aims to offer a rich array of ideas for those considering pelvic tattoos emphasizing female centric themes and design considerations our journey together will

genital female tattoo factory - Dec 13 2022

web 189059424 you must be at least 21 years old to enter sign nhe christina 4441 north broadway chicago il 60640

tattoos on pubic area female gallery copy uniport edu - Dec 01 2021

web tattoos on pubic area female gallery 2 13 downloaded from uniport edu ng on april 2 2023 by guest nationalism the inner group must decide just where its loyalties lie to the

tattoos on pubic area female gallery 2022 old talentsprint - Jul 08 2022

web vanquish tattoo september 2021 julia tomskih the world of tattoo beat till stiff a woman s recipe for living tattoos on pubic area female gallery downloaded from

tattoos on pubic area female gallery uniport edu - Jan 02 2022

web tattoos on pubic area female gallery 2 14 downloaded from uniport edu ng on june 26 2023 by guest edition our new fitness magazine range has just recently launched

pussy tattoo funpic hu - Sep 10 2022

web title pussy tattoo author z3piq category adult tags cat tattoo kitten pussy vagina send comments 0 butterfly on vagina

411974 19 share slut tattoo 253226 13 share

100 crotch tattoo ideas that will make you gulp nsfw - Oct 23 2023

web groin tattoo ideas can represent various things here are some of the more common crotch tattoo meanings that people often choose when they get a tattoo on their groin area

12 feminine pelvic tattoo ideas that will blow your mind - Jul 20 2023

web 12 feminine pelvic tattoo ideas that will blow your mind written by tori jones 13 february 2023 table of contents hey there are you on the hunt for some unique and

tattoos in the pubis for women we answer all your doubts - Mar 16 2023

web it will always be my own and respectable choice although tattoos can have a lot of symbolism and various meanings the tattoo on the pubis is related to sensuality and

[tattoos on pubic area female gallery thegreenroute](#) - Feb 03 2022

web tattoos on pubic area female gallery 3 3 dedicated to tattooing such as television shows movies magazines websites and books and the popular conventions

[tattoos on pubic area female gallery copy ftp vape mexico](#) - Apr 05 2022

web tattoos on pubic area female gallery frequently asked questions about body piercing and tattooing she speaks her anger myths and conversations of gimi women the

top 106 pubic area tattoo designs spcminer com - Jun 19 2023

web top 106 pubic area tattoo designs by bhavin patel march 7 2023 pubic area tattoo designs behind each tattoo they always hide a meaning or story the message they

tattoos on pubic area female gallery pdf design bluesquare - Aug 09 2022

web tattoos on pubic area female gallery cliffstestprep nclex pn she speaks her anger myths and conversations of gimi women vanquish tattoo january 2021

pelvic tattoo designs 14 trendy collections design press - Apr 17 2023

web 14 trendy pelvic tattoo designs february 7 2017 0 5859 though it is a rather area is a rather painful area to get inked many women prefer pelvic tattoos and whether this is

[genital tattooing wikipedia](#) - Jan 14 2023

web as any other forms of tattoos the choice may be decorative and genital tattoo designs have been created to decoratively imitate pubic hair to enhance the appearance of the

genital tattoos images for women archives tattoo guide - Oct 11 2022

web list of all genital tattoos images for women posts guides tricks at tattoo guide magazine numéro 1 des tatouages en ligne

idées inspirations tendances

tattoos on pubic area female gallery full pdf ai classmonitor - Jun 07 2022

web 6 tattoos on pubic area female gallery 2022 05 16 publishing the second part of history and meanings of tattoo motifs

genital tattoos tattoofilter - Feb 15 2023

web genital tattoos that you can filter by subject matter style technique and size and order by date or score share share

tattoos on pubic area mybooklibrary com fliphtml5 - May 06 2022

web check pages 1 7 of tattoos on pubic area mybooklibrary com in the flip pdf version tattoos on pubic area mybooklibrary com was published by on 2015 07 27 find

lab manual engineering fitting workshop uniport edu - Aug 23 2021

lab manual fitting shop pdf workshop practice fitting - Oct 25 2021

workshop practice coursecontent - Jul 02 2022

web workshop practice lab manual industrial engineering department uet taxila

mechanical engineering workshop practice laboratory manual - Jun 01 2022

web sep 8 2023 heritage bafta org manual and a suggested component coding system for

workshop practice lab manual machine workshop - Feb 26 2022

web workshop practice fitting shop industrial engineering department uet taxila

bookmark file lab manual engineering fitting workshop free - Jan 28 2022

web both the bench work and fitting requires the use of number of simple hand tools and

workshop manual svcet - Dec 07 2022

web to prepare simple engineering components shapes by forging 08 08 10 to prepare

lab manual engineering fitting workshop - Dec 27 2021

web lab manual engineering fitting workshop 2 4 downloaded from uniport edu ng on

engineering workshop i lab manual pdf sheet - Nov 06 2022

web 1 recognize the importance of workshop in today s technology and its impacts on

workshop machineshop practice lab - Apr 11 2023

web fitting shop workshop manual lab in charge dr yuvaraj central

fitting shop lab manual pdf blade drill scribd - Sep 23 2021

laboratory manual w shop technology lab me 105 f - Aug 03 2022

web lab report fitting workshop practice muhammad bilal mobeen group number 3

pdf engineering workshop lab manual - Jul 14 2023

web workshop practice laboratory manual i iisemester wsl16 26

fitting workshop i fitting shop workshop manual lab - Feb 09 2023

web this laboratory is scheduled for 1st and 2nd semester for all engineering students

fitting lab report school of mechanical engineering - Apr 30 2022

web merely said the lab manual engineering fitting workshop is universally compatible

mechanical engineering workshop practice - Jan 08 2023

web ifitting shop workshop manual lab in charge dr n yuvaraj central

engineering workshop mrcet - Mar 10 2023

web 1 to understand the basic work shop tools and operations such as carpentry fitting

work shoppractice laboratory manual i ii semester - May 12 2023

web 1 safety first work next 2 know your job and follow instructions 3 avoid wearing

workshop practice manual jis college - Oct 05 2022

web mechanical engineering workshop practice laboratory manual free download as

a lab report on fitting workshop practice documents and e - Mar 30 2022

web may 3 2023 engineering practices lab manual 5th e t jeyapoovan nadar

jntu b tech 1st year engineering workshop lab - Jun 13 2023

web to guide students to use fitting tools to perform fitting operations to provide an insight

workshop practice fitting shop university of - Aug 15 2023

web the required fit both the bench work and fitting requires the use of number of simple

lab manual engineering fitting workshop uniport edu - Nov 25 2021

me106 fitting workshop manual pdf fitting shop workshop - Sep 04 2022

web therefore it is important to be aware of the hand tools that are used in fitting learn how