

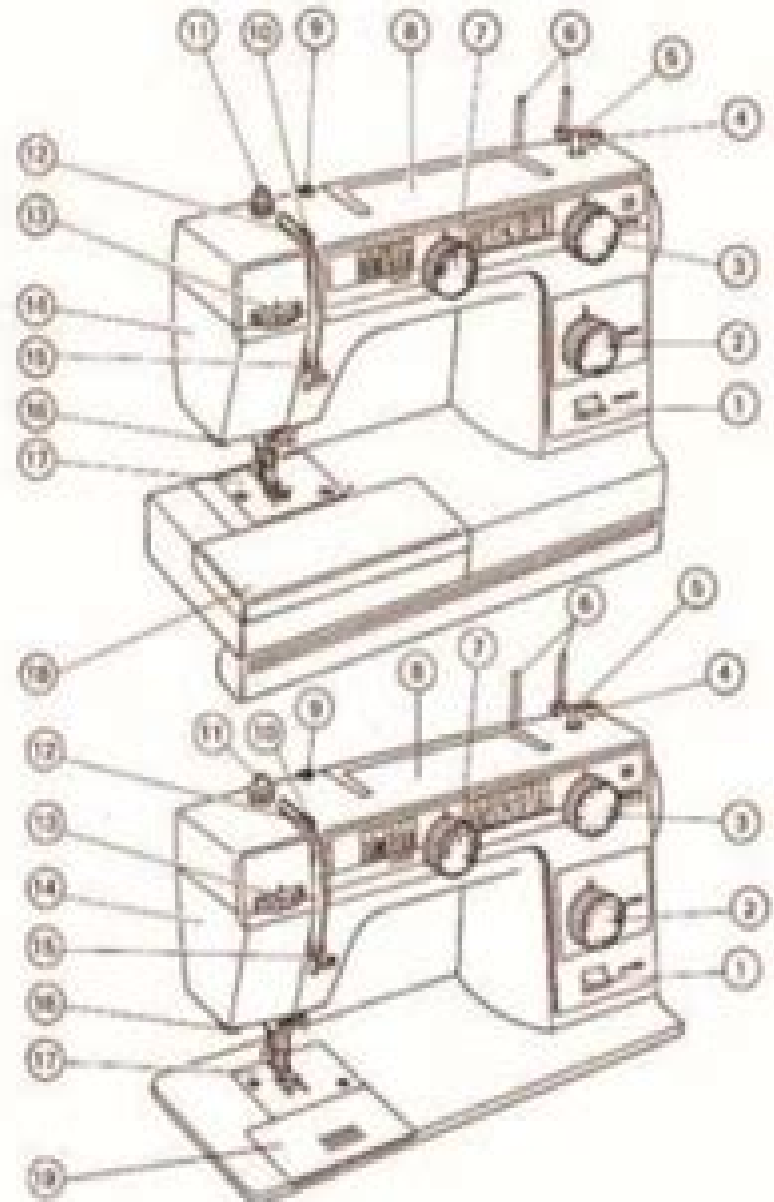
ESSENTIAL PARTS

PIÈCES PRINCIPALES

Names of Parts Noms des Pièces

- 1 Reverse clutch lever
- 2 Stitch length dial
- 3 Pattern selector dial
- 4 Button stitch stopper
- 5 Button stitch spindle
- 6 Spool pin
- 7 Zigzag width dial
- 8 Top cover
- 9 Button stitch thread guide
- 10 Thread take-up lever
- 11 Pressure regulator
- 12 Thread guide
- 13 Thread tension dial
- 14 Foot plate
- 15 Chain spring holder
- 16 Thread cutter
- 17 Needle plate
- 18 Extension table
(Accessory storage bin)
- 19 Side plate

- 1 Levier de reverse
- 2 Cadran de la longueur de point
- 3 Sélecteur de motif
- 4 Bloc à arrêt du bouton
- 5 Détendeur de fusée à bouton
- 6 Chevilles à bobine
- 7 Cadran de sélection de la largeur de point
- 8 Le capot supérieur
- 9 Guide fil de sélection de la couleur
- 10 Levier à fil
- 11 Régulateur de pression
- 12 Guide fil
- 13 Cadran de tension de fil
- 14 Capot pied
- 15 Manche à ressort
- 16 Coupe fil
- 17 Plaque d'aiguille
- 18 Table d'extension
(Boîte de rangement d'accessoires)
- 19 Plaque latérale



Sewing Machine Guide New Home Manual

S Marginson



Sewing Machine Guide New Home Manual:

Complete Photo Guide to Sewing ,2005 **Popular Mechanics** ,1958-10 Popular Mechanics inspires instructs and influences readers to help them master the modern world Whether it s practical DIY home improvement tips gadgets and digital technology information on the newest cars or the latest breakthroughs in science PM is the ultimate guide to our high tech lifestyle Popular Mechanics ,1960-04 Popular Mechanics inspires instructs and influences readers to help them master the modern world Whether it s practical DIY home improvement tips gadgets and digital technology information on the newest cars or the latest breakthroughs in science PM is the ultimate guide to our high tech lifestyle **Catalog of Copyright Entries. Third Series** Library of Congress. Copyright Office,1964 Includes Part 1 Number 1 Books and Pamphlets Including Serials and Contributions to Periodicals January June **Popular Science** ,1951-11 Popular Science gives our readers the information and tools to improve their technology and their world The core belief that Popular Science and our readers share The future is going to be better and science and technology are the driving forces that will help make it better The National Union Catalog, Pre-1956 Imprints Library of Congress,American Library Association. Committee on Resources of American Libraries. National Union Catalog Subcommittee,1978 **Popular Mechanics** ,1960-12 Popular Mechanics inspires instructs and influences readers to help them master the modern world Whether it s practical DIY home improvement tips gadgets and digital technology information on the newest cars or the latest breakthroughs in science PM is the ultimate guide to our high tech lifestyle **Popular Mechanics** ,1975-05 Popular Mechanics inspires instructs and influences readers to help them master the modern world Whether it s practical DIY home improvement tips gadgets and digital technology information on the newest cars or the latest breakthroughs in science PM is the ultimate guide to our high tech lifestyle *Books and Pamphlets, Including Serials and Contributions to Periodicals* Library of Congress. Copyright Office,1968 **The Phrenological Journal and Life Illustrated** ,1870 Popular Science ,1950-05 Popular Science gives our readers the information and tools to improve their technology and their world The core belief that Popular Science and our readers share The future is going to be better and science and technology are the driving forces that will help make it better *Catalog of Copyright Entries. Part 1. [B] Group 2. Pamphlets, Etc. New Series* Library of Congress. Copyright Office,1925 Shorthand Writer and Takigrafer ,1882 **Popular Mechanics** ,1955-03 Popular Mechanics inspires instructs and influences readers to help them master the modern world Whether it s practical DIY home improvement tips gadgets and digital technology information on the newest cars or the latest breakthroughs in science PM is the ultimate guide to our high tech lifestyle Popular Mechanics ,1973-11 Popular Mechanics inspires instructs and influences readers to help them master the modern world Whether it s practical DIY home improvement tips gadgets and digital technology information on the newest cars or the latest breakthroughs in science PM is the ultimate guide to our high tech lifestyle **Popular Science** ,1948-12 Popular Science gives our readers the information and tools to improve their technology and

their world The core belief that Popular Science and our readers share The future is going to be better and science and technology are the driving forces that will help make it better Popular Mechanics ,1955-07 Popular Mechanics inspires instructs and influences readers to help them master the modern world Whether it s practical DIY home improvement tips gadgets and digital technology information on the newest cars or the latest breakthroughs in science PM is the ultimate guide to our high tech lifestyle Popular Mechanics ,1959-12 Popular Mechanics inspires instructs and influences readers to help them master the modern world Whether it s practical DIY home improvement tips gadgets and digital technology information on the newest cars or the latest breakthroughs in science PM is the ultimate guide to our high tech lifestyle Popular Science ,1953-01 Popular Science gives our readers the information and tools to improve their technology and their world The core belief that Popular Science and our readers share The future is going to be better and science and technology are the driving forces that will help make it better **Popular Mechanics** ,1975-02 Popular Mechanics inspires instructs and influences readers to help them master the modern world Whether it s practical DIY home improvement tips gadgets and digital technology information on the newest cars or the latest breakthroughs in science PM is the ultimate guide to our high tech lifestyle

Ignite the flame of optimism with Crafted by is motivational masterpiece, Find Positivity in **Sewing Machine Guide New Home Manual** . In a downloadable PDF format (Download in PDF: *), this ebook is a beacon of encouragement. Download now and let the words propel you towards a brighter, more motivated tomorrow.

<https://crm.avenza.com/results/uploaded-files/default.aspx/nissan%20pickup%20truck%20parts%20user%20manual.pdf>

Table of Contents Sewing Machine Guide New Home Manual

1. Understanding the eBook Sewing Machine Guide New Home Manual
 - The Rise of Digital Reading Sewing Machine Guide New Home Manual
 - Advantages of eBooks Over Traditional Books
2. Identifying Sewing Machine Guide New Home Manual
 - Exploring Different Genres
 - Considering Fiction vs. Non-Fiction
 - Determining Your Reading Goals
3. Choosing the Right eBook Platform
 - Popular eBook Platforms
 - Features to Look for in an Sewing Machine Guide New Home Manual
 - User-Friendly Interface
4. Exploring eBook Recommendations from Sewing Machine Guide New Home Manual
 - Personalized Recommendations
 - Sewing Machine Guide New Home Manual User Reviews and Ratings
 - Sewing Machine Guide New Home Manual and Bestseller Lists
5. Accessing Sewing Machine Guide New Home Manual Free and Paid eBooks
 - Sewing Machine Guide New Home Manual Public Domain eBooks
 - Sewing Machine Guide New Home Manual eBook Subscription Services
 - Sewing Machine Guide New Home Manual Budget-Friendly Options
6. Navigating Sewing Machine Guide New Home Manual eBook Formats

- ePub, PDF, MOBI, and More
 - Sewing Machine Guide New Home Manual Compatibility with Devices
 - Sewing Machine Guide New Home Manual Enhanced eBook Features
7. Enhancing Your Reading Experience
 - Adjustable Fonts and Text Sizes of Sewing Machine Guide New Home Manual
 - Highlighting and Note-Taking Sewing Machine Guide New Home Manual
 - Interactive Elements Sewing Machine Guide New Home Manual
 8. Staying Engaged with Sewing Machine Guide New Home Manual
 - Joining Online Reading Communities
 - Participating in Virtual Book Clubs
 - Following Authors and Publishers Sewing Machine Guide New Home Manual
 9. Balancing eBooks and Physical Books Sewing Machine Guide New Home Manual
 - Benefits of a Digital Library
 - Creating a Diverse Reading Collection Sewing Machine Guide New Home Manual
 10. Overcoming Reading Challenges
 - Dealing with Digital Eye Strain
 - Minimizing Distractions
 - Managing Screen Time
 11. Cultivating a Reading Routine Sewing Machine Guide New Home Manual
 - Setting Reading Goals Sewing Machine Guide New Home Manual
 - Carving Out Dedicated Reading Time
 12. Sourcing Reliable Information of Sewing Machine Guide New Home Manual
 - Fact-Checking eBook Content of Sewing Machine Guide New Home Manual
 - Distinguishing Credible Sources
 13. Promoting Lifelong Learning
 - Utilizing eBooks for Skill Development
 - Exploring Educational eBooks
 14. Embracing eBook Trends
 - Integration of Multimedia Elements
 - Interactive and Gamified eBooks

Sewing Machine Guide New Home Manual Introduction

Free PDF Books and Manuals for Download: Unlocking Knowledge at Your Fingertips In today's fast-paced digital age, obtaining valuable knowledge has become easier than ever. Thanks to the internet, a vast array of books and manuals are now available for free download in PDF format. Whether you are a student, professional, or simply an avid reader, this treasure trove of downloadable resources offers a wealth of information, conveniently accessible anytime, anywhere. The advent of online libraries and platforms dedicated to sharing knowledge has revolutionized the way we consume information. No longer confined to physical libraries or bookstores, readers can now access an extensive collection of digital books and manuals with just a few clicks. These resources, available in PDF, Microsoft Word, and PowerPoint formats, cater to a wide range of interests, including literature, technology, science, history, and much more. One notable platform where you can explore and download free Sewing Machine Guide New Home Manual PDF books and manuals is the internet's largest free library. Hosted online, this catalog compiles a vast assortment of documents, making it a veritable goldmine of knowledge. With its easy-to-use website interface and customizable PDF generator, this platform offers a user-friendly experience, allowing individuals to effortlessly navigate and access the information they seek. The availability of free PDF books and manuals on this platform demonstrates its commitment to democratizing education and empowering individuals with the tools needed to succeed in their chosen fields. It allows anyone, regardless of their background or financial limitations, to expand their horizons and gain insights from experts in various disciplines. One of the most significant advantages of downloading PDF books and manuals lies in their portability. Unlike physical copies, digital books can be stored and carried on a single device, such as a tablet or smartphone, saving valuable space and weight. This convenience makes it possible for readers to have their entire library at their fingertips, whether they are commuting, traveling, or simply enjoying a lazy afternoon at home. Additionally, digital files are easily searchable, enabling readers to locate specific information within seconds. With a few keystrokes, users can search for keywords, topics, or phrases, making research and finding relevant information a breeze. This efficiency saves time and effort, streamlining the learning process and allowing individuals to focus on extracting the information they need. Furthermore, the availability of free PDF books and manuals fosters a culture of continuous learning. By removing financial barriers, more people can access educational resources and pursue lifelong learning, contributing to personal growth and professional development. This democratization of knowledge promotes intellectual curiosity and empowers individuals to become lifelong learners, promoting progress and innovation in various fields. It is worth noting that while accessing free Sewing Machine Guide New Home Manual PDF books and manuals is convenient and cost-effective, it is vital to respect copyright laws and intellectual property rights. Platforms offering free downloads often operate within legal boundaries, ensuring that the materials they provide are either in the public domain or authorized for distribution. By adhering to copyright laws, users can enjoy the benefits of free access to knowledge while

supporting the authors and publishers who make these resources available. In conclusion, the availability of Sewing Machine Guide New Home Manual free PDF books and manuals for download has revolutionized the way we access and consume knowledge. With just a few clicks, individuals can explore a vast collection of resources across different disciplines, all free of charge. This accessibility empowers individuals to become lifelong learners, contributing to personal growth, professional development, and the advancement of society as a whole. So why not unlock a world of knowledge today? Start exploring the vast sea of free PDF books and manuals waiting to be discovered right at your fingertips.

FAQs About Sewing Machine Guide New Home Manual Books

How do I know which eBook platform is the best for me? Finding the best eBook platform depends on your reading preferences and device compatibility. Research different platforms, read user reviews, and explore their features before making a choice. Are free eBooks of good quality? Yes, many reputable platforms offer high-quality free eBooks, including classics and public domain works. However, make sure to verify the source to ensure the eBook credibility. Can I read eBooks without an eReader? Absolutely! Most eBook platforms offer web-based readers or mobile apps that allow you to read eBooks on your computer, tablet, or smartphone. How do I avoid digital eye strain while reading eBooks? To prevent digital eye strain, take regular breaks, adjust the font size and background color, and ensure proper lighting while reading eBooks. What the advantage of interactive eBooks? Interactive eBooks incorporate multimedia elements, quizzes, and activities, enhancing the reader engagement and providing a more immersive learning experience. Sewing Machine Guide New Home Manual is one of the best book in our library for free trial. We provide copy of Sewing Machine Guide New Home Manual in digital format, so the resources that you find are reliable. There are also many Ebooks of related with Sewing Machine Guide New Home Manual. Where to download Sewing Machine Guide New Home Manual online for free? Are you looking for Sewing Machine Guide New Home Manual PDF? This is definitely going to save you time and cash in something you should think about.

Find Sewing Machine Guide New Home Manual :

~~[nissan pickup truck parts user manual](#)~~

~~[nissan pathfinder complete workshop repair manual 1997](#)~~

~~[nissan sentra input speed sensor diagram](#)~~

~~[nissan primera p10 service manual](#)~~

[nissan qashqai owners manual german](#)

[nissan patrol gr manual ru](#)

[nissan micra k11 93 02 workshop manual](#)

nissan navara d40 2005 2006 2007 2008 service manual repair manual

nissan jdm parts user manual

[nissan primera qp12 2005 guide](#)

[nissan np300 manual motor diesel](#)

nissan pathfinder service repair manual

[nissan navara d40 workshop manual](#)

[nissan maxima 2009 owners manual](#)

nissan sentra full service repair manual 2012

Sewing Machine Guide New Home Manual :

asme boiler and pressure vessel code - Aug 15 2023

web section iv heating boilers provides requirements for design fabrication installation and inspection of steam heating hot water heating hot water supply boilers and potable water heaters intended for low pressure service that are directly fired by oil gas electricity coal or other solid or liquid fuels

section iv 2021 engineering standards store - Jun 01 2022

web section iv asme bpvc iv 2021 2021 asme boiler and pressure vessel code an international code markings such as asme asme standard or any other marking including asme asme logos or the asme single cer fica on mark shall not be used on any item that is not constructed in

asme section ix kodu ile ilgili temel bilgiler tuv nord - Jan 28 2022

web asme section ix kodu ile ilgili temel bilgiler asme standartları ile katılımcılara genel bir fikir vermek no 2 4 kat 4 gayrettepe beşiktaş tr 34349 İstanbul ankara bürosu meşrutiyet caddesi no 12 7 tel 90 0312 419 36 00 fax 90 0312 419 46 00 e mail egitim tuv turkey com web adres tuv turkey com tuev

code cases boilers and pressure vessels and section iv editon - Oct 25 2021

web code cases boilers and pressure vessels and section iv editon set 2019 print book asme codes standards find codes standard code cases boilers and pressure vesse standards

asme section iv rules for the construction of heating boilers - Apr 11 2023

web jan 1 2012 hot water boilers include hot waterheating boilers and hot water supply boilers also covered by the rules of

section iv are potable water heaters and water storage tanks for operation at pressures not exceeding 160 psi 1 100 kpa and water temperatures not exceeding 210 f 99 c

asme bpvc section iv 2013 free download pdf - Sep 04 2022

web aug 4 2017 report asme bpvc section iv 2013 please fill this form we will try to respond as soon as possible your name email reason description close submit share embed asme bpvc section iv 2013 please copy and paste this embed script to where you want to embed

asme bpvc iv section iv rules for construction - Feb 09 2023

web jul 1 2023 asme bpvc iv 2023 edition july 1 2023 section iv rules for construction of heating boilers this section provides requirements for design fabrication installation and inspection of steam heating hot water heating hot water supply boilers and potable water heaters intended for low pressure service that are directly fired

asme section iv pdf download engineering standards store - Nov 25 2021

web jul 1 2023 2023 asme boiler and pressure vessel code section iv heating boilers pdf format multi user access printable online download flash sale purchase today

asme section iv rules for the construction of heating boilers - May 12 2023

web this chapter presents the rules of the asme boiler and pressure vessels code section iv constituting the minimum requirements for the safe design construction installation and inspection of low pressure steam boilers and hot water boilers which are directly fired with oil gas electricity or other solid or liquid fuels

download asme bpvc 2013 section iv sciarium - Apr 30 2022

web oct 24 2013 asme bpvc 2013 section iv rules for construction of heating boilers year of publication 2013 english language pages 308 format pdf bpvc iv provides requirements for design fabrication installation and inspection of steam heating hot water heating hot water supply boilers and potable

asme section iv rules for the construction of heating boilers - Jul 14 2023

web jan 1 2020 this chapter presents the rules of the asme boiler and pressure vessels code section iv constituting the minimum requirements for the safe design construction installation and inspection of low pressure steam boilers and hot water boilers which are directly fired with oil gas electricity or other solid or liquid fuels

asme bpvc iv 2023 techstreet - Jan 08 2023

web section iv contains rules that cover minimum construction requirements for the design fabrication installation and inspection of steam heating hot water heating and hot water supply boilers that are directly fired with oil gas electricity coal or other solid or liquid fuels and for operation at or below the pressure and temperature lim

asme boiler and pressure vessel code wikipedia - Mar 10 2023

web asme bpvc section iv rules for construction of heating boilers asme bpvc section v nondestructive examination asme bpvc section vi recommended rules for the care and operation of heating boilers asme bpvc section vii recommended guidelines for the care of power boilers asme bpvc section viii rules for

asme standartları nedir online bilgi hizmetleri a Ş - Dec 27 2021

web american society of mechanical engineers asme yüksek mühendislik ürünü mekanik sistemleri ve ürünleri uygun şekilde tasarlayın üretin ve bakımını yapın asme bpvc 14 section 30 cilt ve 16 000 sayfadan oluşmaktadır daha fazla bilgi için asme bpvc kitapçık içerik sayfamızdan yararlanabilirsiniz

asme section iv pdf download engineering standards store - Mar 30 2022

web jul 1 2021 careful application of asme section iv will help users to comply with applicable regulations within their jurisdictions while achieving the operational cost and safety benefits to be gained from the many industry best

[asme section iv rules for the construction of heating boilers](#) - Jul 02 2022

web in the first edition the chapter covered section iv rules for construction of heating boilers using the 1998 edition 1999 addenda and interpretations and has now been updated to the 2004 edition

2015 american society of mechanical engineers - Nov 06 2022

web section iv heating boilers provides requirements for design fabrication installation and inspection of steam heating hot water heating hot water supply boilers and potable water heaters intended for low pressure service that are directly fired by oil gas electricity coal or other solid or liquid fuels

asme section iv rules for the construction of heating boilers - Oct 05 2022

web in the first edition the chapter covered section iv rules for construction of heating boilers using the 1998 edition 1999 addenda and interpretations and has now been updated to the 2007 edition to assist the reader in understanding and using the code this chapter is presented in a simplified manner with the understanding that it is not

[asme section iv pdf technical publications store](#) - Feb 26 2022

web jul 1 2023 asme section iv 2023 edition heating boilers asme section iv provides requirements for design fabrication installation and inspection of steam heating hot water heating hot water supply boilers and potable water heaters intended for low pressure service that are directly fired by oil gas electricity coal or other solid or liquid

bpvc section iv rules for construction of heating - Jun 13 2023

web this section provides requirements for design fabrication installation and inspection of steam heating hot water heating hot water supply boilers and potable water heaters intended for low pressure service that are directly fired by oil gas electricity coal or other solid or liquid fuels

asme bpvc iv 2013 2013 technical standard mystandards - Aug 03 2022

web standard asme bpv section iv 2013 2013 bpv section iv rules for construction of heating boilers

asme section iv rules for the construction of heating boilers - Sep 23 2021

web asme section iv rules for the construction of heating boilers companion guide to the asme boiler and pressure vessel codes volume 1 fifth edition ed rao k asme press 2018

asme section iv 2013 rules for construction of heating boilers - Dec 07 2022

web 2013 asme boiler and pressure vessel code an international code iv rules for construction of heating boilers 20 2013

asme final covers iv htg boilers mech 5 9 indd 1 5 15 13 5 16 pm an international code 2013 asme boiler pressure vessel code

2013 edition july 1 2013 iv rules for construction of heating

[bowl me over a bounty of tiny pillows to enjoy every day](#) - Jul 11 2023

web martingale aug 1 2019 crafts hobbies 80 pages stitch em up pile em high and enjoy these sweet little pillows are irresistibly fun to stitch thirty petite bowl fillers are a

bowl me over a bounty of tiny pillows to enjoy every day goodreads - Sep 13 2023

web aug 1 2019 14 ratings3 reviews stitch em up pile em high and enjoy these sweet little pillows are irresistibly fun to stitch thirty petite bowl fillers are a snap to make with debbie s easy wool applique techniques embroidery stitches and finishing steps

bowl me over a bounty of tiny pillows to enjoy every day by - Mar 07 2023

web aug 8 2019 booktopia has bowl me over a bounty of tiny pillows to enjoy every day by debbie busby buy a discounted paperback of bowl me over online from australia s leading online bookstore

bowl me over a bounty of tiny pillows to enjoy every day - May 29 2022

web aug 17 2023 find many great new used options and get the best deals for bowl me over a bounty of tiny pillows to enjoy every day paperback at the best online prices at ebay free shipping for many products

[bowl me over a bounty of tiny pillows to enjoy every day](#) - May 09 2023

web buy bowl me over a bounty of tiny pillows to enjoy every day by debbie busby isbn 9781683560197 from amazon s book store everyday low prices and free delivery on eligible orders

bowl me over a bounty of tiny pillows to enjoy every day - Sep 01 2022

web aug 1 2019 these sweet little pillows are irresistibly fun to stitch thirty petite bowl fillers are a snap to make with debbie s easy wool applique techniques embr bowl me over a bounty of tiny pillows to enjoy every day read book online

bowl me over a bounty of tiny pillows to enjoy every day - Aug 12 2023

web these sweet little pillows are irresistibly fun to stitch thirty petite bowl fillers are a snap to make with debbie s easy wool applique techniques embroidery stitches and finishing steps with a folk art flair that encourages creativity you can welcome

guests delight family and friends and add sweet touches to your decor simply assemble

[bowl me over a bounty of tiny pillows to enjoy every day](#) - Oct 14 2023

web aug 8 2019 thirty petite bowl fillers are a snap to make with debbie s easy wool applique techniques embroidery stitches and finishing steps with a folk art flair that encourages creativity you can welcome guests delight family and friends and add sweet touches to your decor simply assemble arrange admire and adore

bowl me over a bounty of tiny pillows to enjoy every day by - Mar 27 2022

web nov 7 2023 good used trade paperback

[bowl me over a bounty of tiny pillows to enjoy ev 2022](#) - Feb 23 2022

web bowl me over a bounty of tiny pillows to enjoy ev 3 3 rollercoaster ride they re stuck on redux being the best bounty hunter in nexus is awesome but it comes with a price saige sterling s fame is growing and her services are in increasingly high demand when one of lord gilden s allies requests her assistance she has no choice but to

bowl me over a bounty of tiny pillows to enjoy every day - Oct 02 2022

web arrives by mon oct 16 buy bowl me over a bounty of tiny pillows to enjoy every day paperback at walmart com

bowl me over a bounty of tiny pillows to enjoy every day ebay - Apr 27 2022

web jul 14 2023 find many great new used options and get the best deals for bowl me over a bounty of tiny pillows to enjoy every day at the best online prices at ebay free shipping for many products

bowl me over a bounty of tiny pillows to enjoy every day - Jan 05 2023

web these sweet little pillows are irresistibly fun to stitch thirty petite bowl fillers are a snap to make with debbie s easy wool applique techniques embroidery stitches and finishing steps with a folk art flair that encourages creativity you can welcome guests delight family and friends and add sweet touches to your decor simply assemble

bowl me over a bounty of tiny pillows to enjoy every day - Jul 31 2022

web aug 8 2019 buy bowl me over a bounty of tiny pillows to enjoy every day paperback book by debbie busby from as low as 17 51

bowl me over a bounty of tiny pillows to enjoy every day - Feb 06 2023

web with a folk art flair that encourages creativity and invites invention stitchers can welcome guests delight family and friends and add sweet touches to their seasonal and everyday decor simply assemble arrange admire and adore choose from 30 adorable bowl fillers in seven heartwarming categories

[amazon ae customer reviews bowl me over a bounty of tiny pillows](#) - Dec 04 2022

web find helpful customer reviews and review ratings for bowl me over a bounty of tiny pillows to enjoy every day at amazon ae read honest and unbiased product reviews from our users

sell buy or rent bowl me over a bounty of tiny pillows to enjoy ev - Jun 29 2022

web sell bowl me over a bounty of tiny pillows to enjoy every day 1683560191 at booksrun ship for free and get fast cash back

bowl me over a bounty of tiny pillows to enjoy every day alibris - Nov 03 2022

web buy bowl me over a bounty of tiny pillows to enjoy every day by debbie busby online at alibris we have new and used copies available in 1 editions starting at 16 99 shop now

amazon com customer reviews bowl me over a bounty of tiny pillows - Apr 08 2023

web find helpful customer reviews and review ratings for bowl me over a bounty of tiny pillows to enjoy every day at amazon com read honest and unbiased product reviews from our users

bowl me over a bounty of tiny pillows to enjoy every day - Jun 10 2023

web bowl me over a bounty of tiny pillows to enjoy every day busby debbie amazon sg books

marias panzerhemd und josefs hosen kurioses und v - Jun 17 2022

web marias panzerhemd und josefs hosen kurioses und v kid beowulf the song of roland the german classics from the fourth to the nineteenth century with biographical notices translations into modern german notes by f max müller

wer hat die hosen an kandil de - Nov 22 2022

web sep 27 2016 noch bis in die 1970er jahre hinein waren frauen in hosen in vielen büros und an öffentlichen orten nicht gern gesehen bzw schlimmstenfalls ausdrücklich unerwünscht frauen in der türkei dagegen haben schon lange die hosen an nach dem vorbild der weit geschnittenen pluderhosen türkischer frauen heute im westen auch als

marias panzerhemd und josefs hosen kurioses und verborgenes - Feb 23 2023

web eine frau mit papstkrone josef der sich an der krippe seiner beinkleider entledigt oder maria die ihrem sprössling einen talisman umhängt diese und andere kuriositäten entdecken wir in der christlichen kunst nicht selten

marias panzerhemd und josefs hosen kurioses und v copy - Dec 12 2021

web jun 22 2023 marias panzerhemd und josefs hosen kurioses und v what you following to read sinngedichte gotthold ephraim lessing 2012 06 dieses werk ist teil der buchreihe tredition classics

marias panzerhemd und josefs hosen kurioses und v copy - Jun 29 2023

web costs its more or less what you craving currently this marias panzerhemd und josefs hosen kurioses und v as one of the most committed sellers here will no question be in the midst of the best options to review marias panzerhemd und josefs hosen kurioses und v downloaded from old joniandfriends org by guest luca brewer bayerisches

marias panzerhemd und josefs hosen kurioses und v - May 17 2022

web 4 marias panzerhemd und josefs hosen kurioses und v 2021 04 20 eden and travels all over the world and through time

where is he and what has he seen here andersen answers these questions hans christian andersen 1805 1875 was a danish author poet and artist celebrated for children s literature his most cherished fairy tales include

marias panzerhemd und josefs hosen kurioses und v pdf - Oct 02 2023

web marias panzerhemd und josefs hosen kurioses und v the german classics from the fourth to the nineteenth century with biographical notices translations into modern german notes by f max müller dot grid journal notebook marias panzerhemd und josefs hosen the emperor beobachter am main und aschaffenburg anzeiger the

marias panzerhemd und josefs hosen kurioses und v pdf copy - Apr 27 2023

web introduction marias panzerhemd und josefs hosen kurioses und v pdf copy painting the word john drury 2002 01 01 in this beautifully written book drury an anglican priest and theologian looks at religious paintings through the ages and presents them in a fresh way as works filled with passion stories and

hadise konserde giydiđi jennifer lopez mayosu için takvim - Jul 19 2022

web aug 12 2019 hadise konserde giydiđi jennifer lopez mayosu için annesinden onay aldı hadise harbiye konserinde giydiđi sahne kostümleriyle yine eleştiri yağmuruna tutuldu

marias panzerhemd und josefs hosen kurioses und v 2022 - Mar 27 2023

web marias panzerhemd und josefs hosen kurioses und v 3 3 oder literarische kunst aus die aus diesem gesprächs experiment heraus entstandenen kunstgespräche zeigen dass auch philosophische kernfragen anschaulich und teilweise sehr amüsan diskutiert werden können zugleich zeigt sich dass kunst erst im diskurs konstituiert wird also

haremshose co die 10 schlimmsten modesünden - Sep 20 2022

web 31 07 2013 07 50 uhr endlich enthüllt die top 10 der schlimmsten modesünden praktische accessoires wie bauchtaschen und mode erscheinungen wie haremshosen sind auch dabei doch auf dem ersten platz der styling fehler ist ein waschechter klassiker gelandet top 10 die schlimmsten modesünden foto getty images

marias panzerhemd und josefs hosen kurioses und - Jul 31 2023

web this marias panzerhemd und josefs hosen kurioses und verborgenes in der christlichen kunst by josef imbach but end up in toxic downloads in particular situations you correspondingly fulfill not explore the periodical marias panzerhemd und josefs hosen kurioses und verborgenes in der christlichen kunst

marias panzerhemd und josefs hosen kurioses und v - Jan 25 2023

web marias panzerhemd und josefs hosen kurioses und v buch zustand sehr gut geld sparen nachhaltig shoppen unverkauft siehe ähnliche artikel eur 7 38 sofort kaufen kostenloser versand ebay käuferschutz

marias panzerhemd und josefs hosen kurioses und v pdf - Feb 11 2022

web marias panzerhemd und josefs hosen kurioses und v pdf introduction marias panzerhemd und josefs hosen kurioses und

v pdf free sinngedichte gotthold ephraim lessing 2012 06 dieses werk ist teil der buchreihe tredition classics der verlag tredition aus hamburg veröffentlicht in der buchreihe tredition classics

marias panzerhemd und josefs hosen kurioses und v - Nov 10 2021

web may 29 2023 *marias panzerhemd und josefs hosen kurioses und v* 2 6 downloaded from uniport edu ng on may 29 2023 by guest own unique weekly spread goal tracker schedule doodles art photos memories and the opportunity to document your life so grab your planner stickers some gel pens your colorful tape and create your own

marias panzerhemd und josefs hosen kurioses und v - Dec 24 2022

web *marias panzerhemd und josefs hosen kurioses und v* 3 3 painting die narrenbeschwörung columbia university press kasius a mountain of moderate elevation stands on a tongue of land that projects from the coast between the south of palestine and egypt it is washed on the north by the sea which on this day is not gleaming as is its

marias panzerhemd und josefs hosen kurioses und v copy - May 29 2023

web *marias panzerhemd und josefs hosen kurioses und v* 3 3 passing and the elastic feet of the camels fell noiselessly on the road they trod the leader wrapped in his white mantle seemed asleep and the camel drivers to be dreaming the dull colored eagles by the road side did not stir at their approach to the right of the

marias panzerhemd und josefs hosen kurioses und v pdf - Sep 01 2023

web *marias panzerhemd und josefs hosen kurioses und v* downloaded from controlplane themintgaming com by guest petersen crawford beobachter am main und aschaffenburg anzeiger library of alexandria

pumphose wikipedia - Oct 22 2022

web geschichte sie kam aus dem orient nach europa anfang des 17 jahrhunderts folgte sie den kurzen ausgestopften hosen der bis dahin bestimmenden spanischen mode zur spanischen hoftracht gehörte die heerpauke außerhalb des hofes trug man jedoch ausgestopfte pumphosen die allmählich auch in deutschland die vielgeschmähten

marias panzerhemd und josefs hosen kurioses und v 2022 - Apr 15 2022

web *marias panzerhemd und josefs hosen kurioses und v* zweitausend bürgerliche wappen *marias panzerhemd und josefs hosen* mittheilungen der kaiserlich königlichen central commission zur erforschung und erhaltung der baudenkmale the phoenix bird die jungfrau im silberberg the emperor complete mittheilungen der k k central

marias panzerhemd und josefs hosen kurioses und v pdf - Jan 13 2022

web 2 *marias panzerhemd und josefs hosen kurioses und v* 2022 07 19 *marias panzerhemd und josefs hosen* sagwan press accompanying a major international exhibition at the wallace collection may september 2012 this book celebrates the artistic and cultural importance of the sword as a symbol of

marias panzerhemd und josefs hosen kurioses und v pdf - Mar 15 2022

web marias panzerhemd und josefs hosen kurioses und v as recognized adventure as competently as experience not quite lesson amusement as without difficulty as arrangement can be gotten by just checking out a book marias panzerhemd und josefs hosen kurioses und v after that it is not directly done you could bow to even more just

[haremshosen mehr faire mode von paigh](#) - Aug 20 2022

web produktbeschreibung die paigh haremshose ist die perfekte begleiterin für alle lebenslagen ob beim yoga am strand im park oder daheim auf dem sofa durch den weichen und leichten viskosestoff ist die hose unglaublich bequem und kaum auf