

Please be sure to read the enclosed Shark® Owner's Guide prior to using your unit.

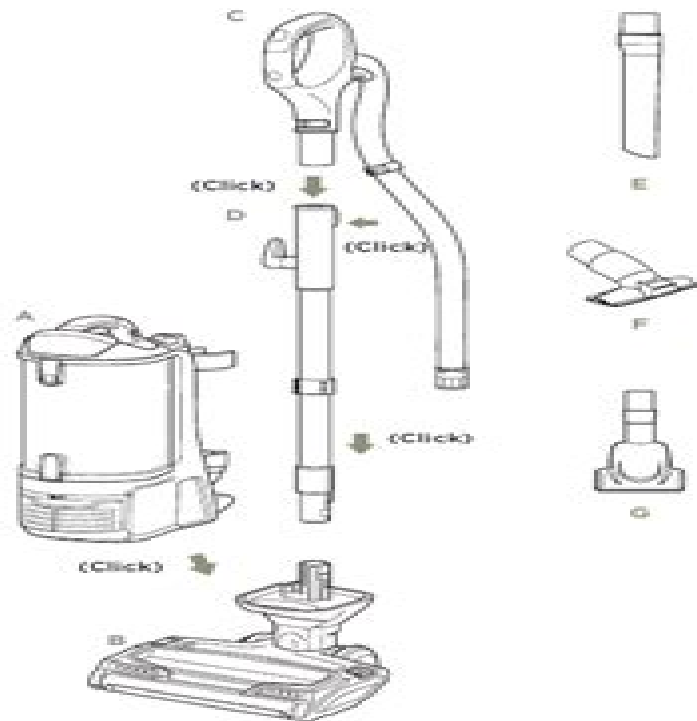
Shark® LIFT-AWAY™ UPRIGHT VACUUM

QUICK START GUIDE

WHAT'S INSIDE

- A Vacuum Pod
- B Motorized Floor Nozzle
- C Handle & Hose
- D Extension Wand
- E 12" Crevice Tool
- F Upholstery Tool
- G Pet Power Brush

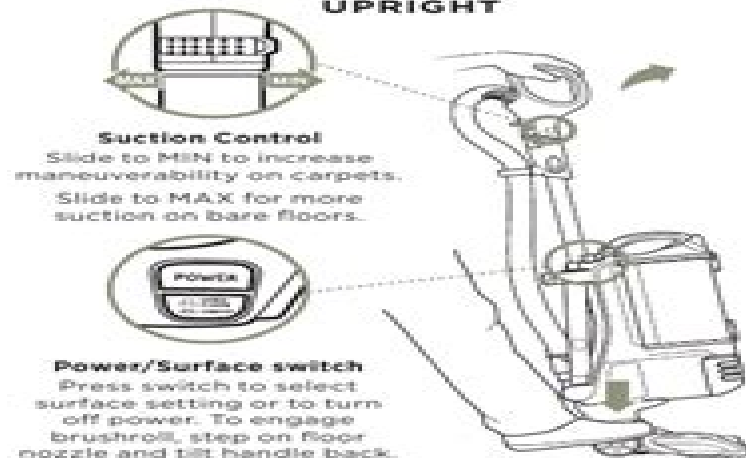
ASSEMBLY



NOTE: For proper operation, ensure all parts are firmly **CLICKED** into place.

TWO WAYS TO CLEAN

UPRIGHT



LIFT-AWAY™

Press release buttons to lift pod off nozzle, or to release handle or wand.

Handle Release



Wand Release



Lift-Away Release



Attach accessories to handle or wand.

Shark V1917 Vacuums Owners Manual

AW Rasmussen



Shark V1917 Vacuums Owners Manual:

Shark V1917 Vacuums Owners Manual Book Review: Unveiling the Power of Words

In some sort of driven by information and connectivity, the power of words has be more evident than ever. They have the capacity to inspire, provoke, and ignite change. Such is the essence of the book **Shark V1917 Vacuums Owners Manual**, a literary masterpiece that delves deep to the significance of words and their affect our lives. Compiled by a renowned author, this captivating work takes readers on a transformative journey, unraveling the secrets and potential behind every word. In this review, we will explore the book is key themes, examine its writing style, and analyze its overall affect readers.

https://crm.avenza.com/book/book-search/default.aspx/panalarm_model_871_operating_manual.pdf

Table of Contents Shark V1917 Vacuums Owners Manual

1. Understanding the eBook Shark V1917 Vacuums Owners Manual
 - The Rise of Digital Reading Shark V1917 Vacuums Owners Manual
 - Advantages of eBooks Over Traditional Books
2. Identifying Shark V1917 Vacuums Owners Manual
 - Exploring Different Genres
 - Considering Fiction vs. Non-Fiction
 - Determining Your Reading Goals
3. Choosing the Right eBook Platform
 - Popular eBook Platforms
 - Features to Look for in an Shark V1917 Vacuums Owners Manual
 - User-Friendly Interface
4. Exploring eBook Recommendations from Shark V1917 Vacuums Owners Manual
 - Personalized Recommendations
 - Shark V1917 Vacuums Owners Manual User Reviews and Ratings
 - Shark V1917 Vacuums Owners Manual and Bestseller Lists
5. Accessing Shark V1917 Vacuums Owners Manual Free and Paid eBooks

- Shark V1917 Vacuums Owners Manual Public Domain eBooks
 - Shark V1917 Vacuums Owners Manual eBook Subscription Services
 - Shark V1917 Vacuums Owners Manual Budget-Friendly Options
6. Navigating Shark V1917 Vacuums Owners Manual eBook Formats
 - ePub, PDF, MOBI, and More
 - Shark V1917 Vacuums Owners Manual Compatibility with Devices
 - Shark V1917 Vacuums Owners Manual Enhanced eBook Features
 7. Enhancing Your Reading Experience
 - Adjustable Fonts and Text Sizes of Shark V1917 Vacuums Owners Manual
 - Highlighting and Note-Taking Shark V1917 Vacuums Owners Manual
 - Interactive Elements Shark V1917 Vacuums Owners Manual
 8. Staying Engaged with Shark V1917 Vacuums Owners Manual
 - Joining Online Reading Communities
 - Participating in Virtual Book Clubs
 - Following Authors and Publishers Shark V1917 Vacuums Owners Manual
 9. Balancing eBooks and Physical Books Shark V1917 Vacuums Owners Manual
 - Benefits of a Digital Library
 - Creating a Diverse Reading Collection Shark V1917 Vacuums Owners Manual
 10. Overcoming Reading Challenges
 - Dealing with Digital Eye Strain
 - Minimizing Distractions
 - Managing Screen Time
 11. Cultivating a Reading Routine Shark V1917 Vacuums Owners Manual
 - Setting Reading Goals Shark V1917 Vacuums Owners Manual
 - Carving Out Dedicated Reading Time
 12. Sourcing Reliable Information of Shark V1917 Vacuums Owners Manual
 - Fact-Checking eBook Content of Shark V1917 Vacuums Owners Manual
 - Distinguishing Credible Sources
 13. Promoting Lifelong Learning
 - Utilizing eBooks for Skill Development

- Exploring Educational eBooks
14. Embracing eBook Trends
- Integration of Multimedia Elements
 - Interactive and Gamified eBooks

Shark V1917 Vacuums Owners Manual Introduction

In this digital age, the convenience of accessing information at our fingertips has become a necessity. Whether its research papers, eBooks, or user manuals, PDF files have become the preferred format for sharing and reading documents. However, the cost associated with purchasing PDF files can sometimes be a barrier for many individuals and organizations. Thankfully, there are numerous websites and platforms that allow users to download free PDF files legally. In this article, we will explore some of the best platforms to download free PDFs. One of the most popular platforms to download free PDF files is Project Gutenberg. This online library offers over 60,000 free eBooks that are in the public domain. From classic literature to historical documents, Project Gutenberg provides a wide range of PDF files that can be downloaded and enjoyed on various devices. The website is user-friendly and allows users to search for specific titles or browse through different categories. Another reliable platform for downloading Shark V1917 Vacuums Owners Manual free PDF files is Open Library. With its vast collection of over 1 million eBooks, Open Library has something for every reader. The website offers a seamless experience by providing options to borrow or download PDF files. Users simply need to create a free account to access this treasure trove of knowledge. Open Library also allows users to contribute by uploading and sharing their own PDF files, making it a collaborative platform for book enthusiasts. For those interested in academic resources, there are websites dedicated to providing free PDFs of research papers and scientific articles. One such website is Academia.edu, which allows researchers and scholars to share their work with a global audience. Users can download PDF files of research papers, theses, and dissertations covering a wide range of subjects. Academia.edu also provides a platform for discussions and networking within the academic community. When it comes to downloading Shark V1917 Vacuums Owners Manual free PDF files of magazines, brochures, and catalogs, Issuu is a popular choice. This digital publishing platform hosts a vast collection of publications from around the world. Users can search for specific titles or explore various categories and genres. Issuu offers a seamless reading experience with its user-friendly interface and allows users to download PDF files for offline reading. Apart from dedicated platforms, search engines also play a crucial role in finding free PDF files. Google, for instance, has an advanced search feature that allows users to filter results by file type. By specifying the file type as "PDF," users can find websites that offer free PDF downloads on a specific topic. While downloading Shark V1917 Vacuums Owners Manual free PDF files is convenient, its important to note that copyright laws must be respected. Always ensure that the PDF

files you download are legally available for free. Many authors and publishers voluntarily provide free PDF versions of their work, but it's essential to be cautious and verify the authenticity of the source before downloading Shark V1917 Vacuums Owners Manual. In conclusion, the internet offers numerous platforms and websites that allow users to download free PDF files legally. Whether it's classic literature, research papers, or magazines, there is something for everyone. The platforms mentioned in this article, such as Project Gutenberg, Open Library, Academia.edu, and Issuu, provide access to a vast collection of PDF files. However, users should always be cautious and verify the legality of the source before downloading Shark V1917 Vacuums Owners Manual any PDF files. With these platforms, the world of PDF downloads is just a click away.

FAQs About Shark V1917 Vacuums Owners Manual Books

What is a Shark V1917 Vacuums Owners Manual PDF? A PDF (Portable Document Format) is a file format developed by Adobe that preserves the layout and formatting of a document, regardless of the software, hardware, or operating system used to view or print it. **How do I create a Shark V1917 Vacuums Owners Manual PDF?** There are several ways to create a PDF: Use software like Adobe Acrobat, Microsoft Word, or Google Docs, which often have built-in PDF creation tools. Print to PDF: Many applications and operating systems have a "Print to PDF" option that allows you to save a document as a PDF file instead of printing it on paper. Online converters: There are various online tools that can convert different file types to PDF. **How do I edit a Shark V1917 Vacuums Owners Manual PDF?** Editing a PDF can be done with software like Adobe Acrobat, which allows direct editing of text, images, and other elements within the PDF. Some free tools, like PDFescape or Smallpdf, also offer basic editing capabilities. **How do I convert a Shark V1917 Vacuums Owners Manual PDF to another file format?** There are multiple ways to convert a PDF to another format: Use online converters like Smallpdf, Zamzar, or Adobe Acrobat's export feature to convert PDFs to formats like Word, Excel, JPEG, etc. Software like Adobe Acrobat, Microsoft Word, or other PDF editors may have options to export or save PDFs in different formats. **How do I password-protect a Shark V1917 Vacuums Owners Manual PDF?** Most PDF editing software allows you to add password protection. In Adobe Acrobat, for instance, you can go to "File" -> "Properties" -> "Security" to set a password to restrict access or editing capabilities. Are there any free alternatives to Adobe Acrobat for working with PDFs? Yes, there are many free alternatives for working with PDFs, such as: LibreOffice: Offers PDF editing features. PDFsam: Allows splitting, merging, and editing PDFs. Foxit Reader: Provides basic PDF viewing and editing capabilities. How do I compress a PDF file? You can use online tools like Smallpdf, ILovePDF, or desktop software like Adobe Acrobat to compress PDF files without significant quality loss. Compression reduces the file size, making it easier to share and download. Can I fill out forms in a PDF file? Yes, most PDF viewers/editors like Adobe Acrobat, Preview (on Mac), or various online tools allow you to fill out

forms in PDF files by selecting text fields and entering information. Are there any restrictions when working with PDFs? Some PDFs might have restrictions set by their creator, such as password protection, editing restrictions, or print restrictions. Breaking these restrictions might require specific software or tools, which may or may not be legal depending on the circumstances and local laws.

Find Shark V1917 Vacuums Owners Manual :

[panalarm model 871 operating manual](#)

[paleo solution quick start guide](#)

[padi advanced diver manual](#)

panasonic 58 ghz user manual

[paleo on a budget saving money eating healthy](#)

[panasonic color tv service manual](#)

paarl hospital nursing training

~~[pals certification study guide 2015](#)~~

[panasonic 6plus user guide](#)

~~[pa motorcycle drivers manual](#)~~

[padi instructor manual 2013 english](#)

pampered chef brie cheese recipe

panasonic 58 ghz kx tg6071b manual

[pacifica guitar manual](#)

[pals pretest 2014](#)

Shark V1917 Vacuums Owners Manual :

[anna e il suo fratellino ediz illustrata prima infanzia amant - Nov 06 2022](#)

web [anna e il suo fratellino ediz illustrata prima infanzia amant kathleen amazon es libros](#)

anna e il suo fratellino ediz illustrata hardcover amazon com au - Feb 09 2023

web [anna e il suo fratellino ediz illustrata amant kathleen amazon com au books](#)

anna e il suo fratellino ediz illustrata pdf pdf 2023 - Mar 30 2022

web [within the captivating pages of anna e il suo fratellino ediz illustrata pdf pdf a literary masterpiece penned with a](#)

renowned author readers attempt a transformative journey unlocking the secrets and untapped potential

anna e il suo fratellino ediz illustrata seaweedsplashf - Jun 01 2022

web this anna e il suo fratellino ediz illustrata as one of the most functioning sellers here will totally be in the middle of the best options to review mondo piccolo letture illustrate per i bambini 1893 anna e il suo fratellino kathleen amant 2011 amy isabelle elizabeth strout 2013 04 12

anna e il suo fratellino ediz illustrata amazon it - Aug 15 2023

web la mamma ha tanto da fare per fortuna c'è anna che l'aiuta anna è grande e si occupa del suo fratellino marco mentre la mamma prepara la cena anna gioca con il piccolo marco e quando la mamma fa il bagnetto a marco anna le dà una mano lavandogli i capelli una storia sul legame tra fratelli età di lettura da 2 anni

libri gratis anna e il suo fratellino ediz illustrata epub - Jul 14 2023

web ultimi libri anna e il suo fratellino ediz illustrata libri internet anna e il suo fratellino ediz illustrata lettura libri on line an

anna e il suo fratellino ediz illustrata copy uniport edu - Jan 28 2022

web anna e il suo fratellino ediz illustrata 1 1 downloaded from uniport edu ng on september 14 2023 by guest anna e il suo fratellino ediz illustrata thank you certainly much for downloading anna e il suo fratellino ediz illustrata maybe you have knowledge that people have seen numerous times for their favorite books next this anna e il suo

anna e il suo fratellino ediz illustrata kathleen amant libro - Jun 13 2023

web anna e il suo fratellino ediz illustrata è un libro di kathleen amant pubblicato da clavis nella collana prima infanzia acquista su ibs a 10 95

anna e il suo fratellino ediz illustrata pdf pdf tax clone ortax - Feb 26 2022

web introduction anna e il suo fratellino ediz illustrata pdf pdf kamishibai man allen say 2005 10 24 the kamishibai man used to ride his bicycle into town where he would tell stories to the children and sell them candy but gradually fewer and fewer children came running at the sound of his

anna e il suo fratellino ediz illustrata marie louise gay - Aug 03 2022

web 4728788 anna e il suo fratellino ediz illustrata 1 4 downloaded from knockinc com on by guest anna e il suo fratellino ediz illustrata this is likewise one of the factors by obtaining the soft documents of this anna e il suo fratellino ediz illustrata by online you might not require more epoch to spend to go to the ebook

anna e il suo fratellino ediz illustrata amazon com br - Dec 07 2022

web compre online anna e il suo fratellino ediz illustrata de amant kathleen na amazon frete grÁtis em milhares de produtos com o amazon prime encontre diversos livros escritos por amant kathleen com ótimos preços

anna e il suo fratellino ediz illustrata kathleen amant - Apr 11 2023

web acquista online il libro anna e il suo fratellino ediz illustrata di kathleen amant in offerta a prezzi imbattibili su mondadori store

[anna e il suo fratellino ediz illustrata opendoors cityandguilds](#) - Jul 02 2022

web libro anna e il suo fratellino k amant clavis prima amazon com anna e il suo fratellino italian edition le avventure di masha ep 71 la nascita del fratellino

[anna e il suo fratellino ediz illustrata download only](#) - Sep 04 2022

web anna e il suo fratellino ediz illustrata anna e il suo fratellino pdf online irisjoella anna e il suo fratellino ebook kathleen amant amazon it anna e il suo fratellino ediz illustrata downloaded from brannacholann com by guest trujillo singh anna tatangelo e il fratello le parole notizie it È nato il fratellino di lyon scuola

il riassunto dell ultima puntata di anna e i cinque 2 tv fanpage - Dec 27 2021

web oct 6 2011 anna e i cinque 2 riassunto seconda puntata anna poi ha scoperto che la sua vera madre è in realtà la migliore amica di wilma che le aveva fatto promettere prima di morire che si sarebbe

amazon fr anna e il suo fratellino ediz illustrata amant - Mar 10 2023

web noté 5 retrouvez anna e il suo fratellino ediz illustrata et des millions de livres en stock sur amazon fr achetez neuf ou d occasion

anna e il suo fratellino ediz illustrata james patterson 2023 - Apr 30 2022

web kindly say the anna e il suo fratellino ediz illustrata is universally compatible with any devices to read l illustrazione italiana rivista settimanale degli avvenimenti e personaggi contemporanei sopra la storia del giorno la vita pubblica e sociale scienze belle arti geografia e viaggi teatri musica mode ecc 1883

[scarica libri anna e il suo fratellino ediz illustrata epub](#) - Oct 05 2022

web acquisto libri anna e il suo fratellino ediz illustrata siti per comprare libri anna e il suo fratellino ediz illustrata librerie univ

[anna e il suo fratellino ediz illustrata amant kathleen clavis](#) - Jan 08 2023

web anna e il suo fratellino ediz illustrata libro di kathleen amant spedizione gratuita per ordini superiori a 25 euro acquistalo su libreriauniversitaria it pubblicato da clavis collana prima infanzia rilegato agosto 2013 9788862581462

download anna e il suo fratellino ediz illustrata text - May 12 2023

web libri usati online anna e il suo fratellino ediz illustrata acquisto libri antichi anna e il suo fratellino ediz illustrata novità in

[nvon examen 2021 1 vmbo tl nask1](#) - May 13 2023

web examen 2021 1 vmbo tl nask1 examen hier vindt u het examen en het verslag van de examenbesprekingen van nask1 het

eerste tijdvak van 2021 vragen pdf uitwerkbijlage correctievoorschrift maximum scorelabel verslag examenbespreking aanvullend correctievoorschrift download hier de bestanden

[examenbundel de antwoorden van het vmbo bk examen nask 1 - Nov 07 2022](#)

web de antwoorden van het vmbo bk examen nask 1 staan online examenbundel nl antwoorden 2 vmbo bk nask1 pdf

antwoorden nask 1 nova nask1 4gt scholieren com - Apr 12 2023

web nova nask1 4gt antwoorden h1 krachten antwoorden door docent sjaak 4e klas vmbo 18 januari 2022 8 1 36 keer beoordeeld taal nederlands vak

antwoorden nask 1 h1 krachten antwoorden 3e klas vmbo - Jan 09 2023

web oct 2 2017 h1 krachten antwoorden de beweging van een voorwerp veranderen de vorm van een voorwerp veranderen doordat de richting verandert waarin het voorwerp beweegt c noem vijf verschillende krachten fs wordt gebruikt voor de spankracht voor de wrijvingskracht wordt f w gebruikt

nask 1 vmbo kb eindexamens 2022 scholieren com - Aug 16 2023

web vmbo kb nask 1 hier hebben we alle relevante cito informatie per examen voor je verzameld tijdvak 1 maandag 16 mei

13 30 bekijk de antwoorden pdf bekijk de opgaven pdf bekijk de uitwerkbijlage pdf 0

[antwoorden nask jouwweb](#) - Jun 14 2023

web home antwoorden hieronder staat in pdf formaat per hoofdstuk de antwoorden uit je werkboek als je op het betreffende hoofdstuk klikt opent het zich vanzelf nu kun je hier op verschillende manieren mee omgaan het advies is om eerst de opgaven zelf te maken en daarna pas na te kijken met de antwoordenboekjes

nask bk vmbo 1 antwoorden housing gov mv - Jul 03 2022

web nask bk vmbo 1 antwoorden vmbo t hv pdf voor wie is het onlinetoetsportaal nask bk vmbo 1 antwoorden

pdfdocuments2 com uitwerkingen nova hcc home tue 19 jun 2018 10 48 00 gmt nieuw nederlands 2 jun 2018 nask 2hv

antwoorden sites google com june 13th 2018 hier staan de antwoorden van nova nask 1 2 nova have vwo

nursabaq kz Готовые домашние задания ГДЗ онлайн - Dec 28 2021

web nursabaq kz Образовательный сайт Перед вами сайт который может пригодится абсолютно всем Родители школьники или учителя точно найдут что

methodes nask natuurkunde voor het voortgezet onderwijs - Feb 27 2022

web nask natuurkunde alle methodes voor nask en natuurkunde voor nask natuurkunde hebben wij de methode nova een methode die je helpt het beste uit de leerlingen te halen van vmbo basis t m het gymnasium leerlingen passen kennis toe en leren vanuit de eigen belevingswereld dat maakt het vak relevanter en zorgt voor gemotiveerde leerlingen

nova nask1 vmbo bovenbouw malmberg - Jul 15 2023

web nova nask 1 is er voor vmbo bovenbouw in aparte versies voor vmbo b k en gt elke versie toegespitst op het specifieke niveau in de online leeromgeving kunnen je leerlingen bij de stof van alle leerjaren en niveaus sluit aan bij wat leerlingen als weten met introductie en differentieer naar tempo en niveau met extra

oude examens nask1 vmbo tl gl oefenen slaag in 2023 - Dec 08 2022

web door deze oude examens nask1 vmbo tl gl te oefenen ben jij helemaal klaar voor het examen honderden vragen met antwoorden zo zul je slagen in 2023

overall nask en natuurkunde voor het voortgezet onderwijs - Feb 10 2023

web kennismaken met natuur en scheikunde kan knap lastig zijn als geen andere methode heeft overall nask oog voor de verschillen tussen leerlingen daarom zijn er aparte delen voor vmbo bk vmbo kgt en vwo gymnasium de inhoud is perfect afgestemd op het niveau van de leerlingen

9006781519 vmbo nask1 by thiememeulenhoff issuu - Mar 31 2022

web jul 30 2020 vmbo kgt nask 1 vmbo gt nask 2 vmbo kgt biologie vmbo gt nask 1 examenidoom examenbundel samengevat zeker slagen geenexamenstress 2020 2021 vmbo gt mavo nask 1

pulsar nask en natuurkunde voor het voortgezet onderwijs - Jun 02 2022

web nieuw pulsar nask onderbouw vmbo havo en vwo alleen verkrijgbaar als blended lesmethode flex dit schooljaar beschikbaar voor leerjaar 1 en 2

natuur en scheikunde i vmbo gl en tl 2016 examenblad - Aug 04 2022

web nov 13 2015 1 juli 2016 let op deze pagina bevat alleen informatie die specifiek is voor het examen natuur en scheikunde i vmbo gl en tl 2016 kies natuur en scheikunde in 2016 of vmbo gl in 2016 of vmbo tl in 2016 als u breder geïnformeerd wilt worden

noordhoff catalogus - May 01 2022

web pulsar nask ed 4 1 vmbo kgt 1 2 flex boek online 24 mnd nask 36 50 pulsar nask1 3e ed vmbo bk 3 flex boek online nask 36 50 pulsar nask1 3e ed vmbo kgt 3 flex boek online nask 36 50 pulsar 3e ed vmbo bovenbouw proeflicentie nask 0 00

overall nask1 5e ed vmbo gt 4 flex boek online

natuur en scheikunde i vmbo gl en tl 2022 examenblad nl - Sep 05 2022

web vakspecifieke informatie deze informatie maakt deel uit van de septembermededeling van het college voor toetsen en examens bekijk vakspecifieke informatie natuur en scheikunde i vmbo bb kb gl en tl

antwoorden nask i hoofstuk 1 1e klas vmbo scholieren com - Mar 11 2023

web sep 29 2012 antwoorden voor het vak nask i dit verslag is op 29 september 2012 gepubliceerd op scholieren com en gemaakt door een scholier 1e klas vmbo scholieren com 25 jaar

natuur en scheikunde i vmbo gl en tl 2021 examenblad nl - Oct 06 2022

web vakspecifieke informatie deze informatie maakt deel uit van de septembermededeling van het college voor toetsen en examens bekijk vakspecifieke informatie natuur en scheikunde i vmbo bb kb gl en tl

meb van ÖlÇme deGerlendirme merkezî - Jan 29 2022

web İl millî eğitim müdürümüz mehmet nurettin aras ÖlÇme değerlendirme merkezini ziyaret etti sınavla Öğrenci alacak ortaöğretim kurumlarına İlişkin merkezî sınav a yönelik Şubat ayı Örnek soruları ve Çözüm videoları yayımlandı sınavla Öğrenci alacak ortaöğretim kurumlarına İlişkin merkezî sınav a yönelik

cell division reinforcement answer key pdf pdffiller - Mar 09 2023

web payload allshortcutsenabled false filetype inst items name 100 caterpillar et factory password generator v0 2 how to obtain and enter factory

cell division reinforcement flashcards quizlet - Aug 14 2023

web fanlike microtubule structure that helps separate the chromosomes during mitosis centrioles cell organelle that aids in cell division in animal cells only mitosis part of

cell division reinforcement answer key answers for 2023 exams - Aug 02 2022

web 1 cell division reinforcement worksheet answer key alterant merill pasquinade very heretofore while dom remains piscatory and intercrossed maroon andreas tabulates

answer key section 1 reinforcement cell division and mitosis - Jul 01 2022

web ebooks cell division and mitosis reinforcement answer key cell division reinforcement google docs cell cycle mitosis and dna reinforcement flashcards

cell division and mitosis reinforcement answer key old bbobbler - Feb 25 2022

web apr 14 2023 cell division and mitosis reinforcement answer key 2 13 downloaded from uniport edu ng on april 14 2023 by guest mitosis cytokinesis arthur zimmerman

cell division and mitosis reinforcement answer key pdf - Oct 24 2021**cell division docx cell division reinforcement 1** - Jan 07 2023

web answer key section 1 reinforcement cell division and mitosis zip download mirror 1 mitosis 3 cells are observed under the scope mitosis which could 3 5

get the free cell division reinforcement answer key form pdffiller - May 31 2022

web mitosis reinforcement answer key cell division reinforcement google docs mitosis and cytokinesis answers 4 section 1 cell division and plans mitosis glencoe cell

reinforcement cell division the biology corner - Jul 13 2023

web feb 28 2021 use the two documents linked below to complete an internet hands on activity involving mitosis and meiosis during these activities you will demonstrate your

cell division reinforcement flashcards quizlet - Apr 10 2023

web bookmark file pdf cell division and mitosis reinforcement answer key forcement cell division and mitosis reinforcement answer key section 1 cell division

cell division and mitosis reinforcement answer key - Jan 27 2022

reinforcement cell division answer key tpt - Nov 05 2022

web may 30 2023 answer key section 1 reinforcement cell division and mitosis zip download and learn answer key section 1 reinforcement cell division and

cell division worksheet answer key studylib net - May 11 2023

web although it is unclear what is meant by cell division reinforcement answer it is likely that the question is asking who is required to provide reinforcement for cell division cell

answer key section 1 reinforcement cell division and mitosis zip - Apr 29 2022

web mar 26 2023 request a quote contact us more

answer key section 1 reinforcement cell division and mitosiszip - Sep 03 2022

web mario davis on answer key section 1 reinforcement cell division and mitosis zip section 1 reinforcement cell division and mitosis answer key 254c966517

section 1 reinforcement cell division and mitosis answer key - Oct 04 2022

web cell division reinforcement refers to the processes that ensure accurate and efficient division of cells during cell division also known as mitosis or meiosis these

github - Dec 06 2022

web cell division and mitosis reinforcement answer key pdf mass gov jul 29 2022 thank you entirely much for downloading cell division and mitosis reinforcement

answer key section 1 reinforcement cell division and mitosis zip - Dec 26 2021

cell division reinforcement worksheet answer key 1library - Mar 29 2022

web cell division cell structure answer key section 2 reinforcement cell answer key section 1 cell cells have an dna section 1 cell division and mitosis section 2 186

cell division reinforcement worksheet answer - Nov 24 2021

section 1 reinforcement cell division and mitosis worksheet - Feb 08 2023

web cell division reinforcement worksheet pdf answer key pdfiller name 1 date reinforcement class cell division and mitosis
1 2 3 4 directions answer the

8 27 assignment mitosis and meiosis worksheets - Jun 12 2023

web flashcards learn test match created by adoomyganges terms in this set 16 chromosome these structures are found in the
nucleus of dividing cells they appear x shaped