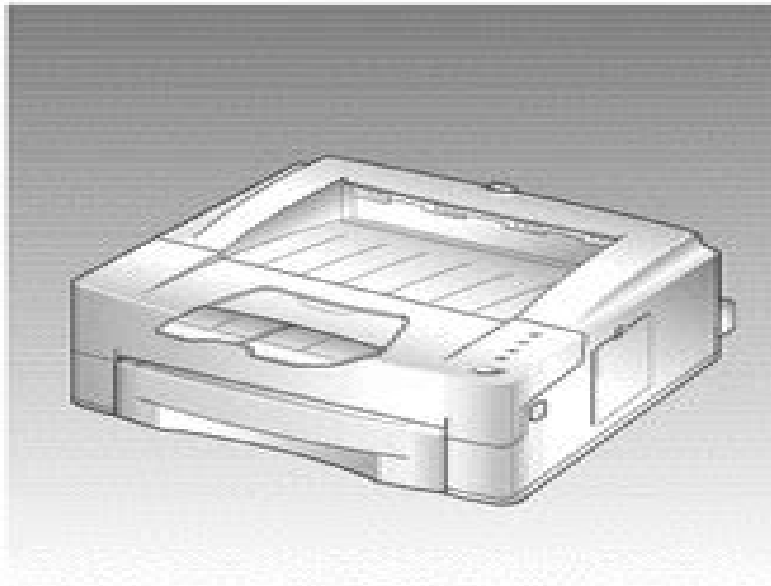




**LASER PRINTER**  
**ML-6000**  
**QwikLaser 6000**

# ***SERVICE*** *Manual*

## **LASER PRINTER**



## **CONTENTS**

1. Precautions
2. Specifications
3. Reference Information
4. Disassembly and Reassembly
5. Troubleshooting
6. Exploded Views and Parts List
7. Electrical Parts List
8. Schematic Diagrams

# Samsung Ml 6000 Printers Owners Manual

**Daniela Niemeyer**



## **Samsung ML 6000 Printers Owners Manual:**

When somebody should go to the book stores, search commencement by shop, shelf by shelf, it is really problematic. This is why we allow the book compilations in this website. It will very ease you to look guide **Samsung Ml 6000 Printers Owners Manual** as you such as.

By searching the title, publisher, or authors of guide you in point of fact want, you can discover them rapidly. In the house, workplace, or perhaps in your method can be all best area within net connections. If you ambition to download and install the Samsung Ml 6000 Printers Owners Manual, it is totally easy then, in the past currently we extend the join to buy and create bargains to download and install Samsung Ml 6000 Printers Owners Manual therefore simple!

[https://crm.avenza.com/results/browse/Download\\_PDFS/Procedure\\_Code\\_For\\_Pediatric\\_Wellness\\_Exam.pdf](https://crm.avenza.com/results/browse/Download_PDFS/Procedure_Code_For_Pediatric_Wellness_Exam.pdf)

## **Table of Contents Samsung Ml 6000 Printers Owners Manual**

1. Understanding the eBook Samsung Ml 6000 Printers Owners Manual
  - The Rise of Digital Reading Samsung Ml 6000 Printers Owners Manual
  - Advantages of eBooks Over Traditional Books
2. Identifying Samsung Ml 6000 Printers Owners Manual
  - Exploring Different Genres
  - Considering Fiction vs. Non-Fiction
  - Determining Your Reading Goals
3. Choosing the Right eBook Platform
  - Popular eBook Platforms
  - Features to Look for in an Samsung Ml 6000 Printers Owners Manual
  - User-Friendly Interface
4. Exploring eBook Recommendations from Samsung Ml 6000 Printers Owners Manual
  - Personalized Recommendations
  - Samsung Ml 6000 Printers Owners Manual User Reviews and Ratings
  - Samsung Ml 6000 Printers Owners Manual and Bestseller Lists

5. Accessing Samsung Ml 6000 Printers Owners Manual Free and Paid eBooks
  - Samsung Ml 6000 Printers Owners Manual Public Domain eBooks
  - Samsung Ml 6000 Printers Owners Manual eBook Subscription Services
  - Samsung Ml 6000 Printers Owners Manual Budget-Friendly Options
6. Navigating Samsung Ml 6000 Printers Owners Manual eBook Formats
  - ePub, PDF, MOBI, and More
  - Samsung Ml 6000 Printers Owners Manual Compatibility with Devices
  - Samsung Ml 6000 Printers Owners Manual Enhanced eBook Features
7. Enhancing Your Reading Experience
  - Adjustable Fonts and Text Sizes of Samsung Ml 6000 Printers Owners Manual
  - Highlighting and Note-Taking Samsung Ml 6000 Printers Owners Manual
  - Interactive Elements Samsung Ml 6000 Printers Owners Manual
8. Staying Engaged with Samsung Ml 6000 Printers Owners Manual
  - Joining Online Reading Communities
  - Participating in Virtual Book Clubs
  - Following Authors and Publishers Samsung Ml 6000 Printers Owners Manual
9. Balancing eBooks and Physical Books Samsung Ml 6000 Printers Owners Manual
  - Benefits of a Digital Library
  - Creating a Diverse Reading Collection Samsung Ml 6000 Printers Owners Manual
10. Overcoming Reading Challenges
  - Dealing with Digital Eye Strain
  - Minimizing Distractions
  - Managing Screen Time
11. Cultivating a Reading Routine Samsung Ml 6000 Printers Owners Manual
  - Setting Reading Goals Samsung Ml 6000 Printers Owners Manual
  - Carving Out Dedicated Reading Time
12. Sourcing Reliable Information of Samsung Ml 6000 Printers Owners Manual
  - Fact-Checking eBook Content of Samsung Ml 6000 Printers Owners Manual
  - Distinguishing Credible Sources
13. Promoting Lifelong Learning

- Utilizing eBooks for Skill Development
  - Exploring Educational eBooks
14. Embracing eBook Trends
- Integration of Multimedia Elements
  - Interactive and Gamified eBooks

### **Samsung ML 6000 Printers Owners Manual Introduction**

Samsung ML 6000 Printers Owners Manual Offers over 60,000 free eBooks, including many classics that are in the public domain. Open Library: Provides access to over 1 million free eBooks, including classic literature and contemporary works. Samsung ML 6000 Printers Owners Manual Offers a vast collection of books, some of which are available for free as PDF downloads, particularly older books in the public domain. Samsung ML 6000 Printers Owners Manual : This website hosts a vast collection of scientific articles, books, and textbooks. While it operates in a legal gray area due to copyright issues, its a popular resource for finding various publications. Internet Archive for Samsung ML 6000 Printers Owners Manual : Has an extensive collection of digital content, including books, articles, videos, and more. It has a massive library of free downloadable books. Free-eBooks Samsung ML 6000 Printers Owners Manual Offers a diverse range of free eBooks across various genres. Samsung ML 6000 Printers Owners Manual Focuses mainly on educational books, textbooks, and business books. It offers free PDF downloads for educational purposes. Samsung ML 6000 Printers Owners Manual Provides a large selection of free eBooks in different genres, which are available for download in various formats, including PDF. Finding specific Samsung ML 6000 Printers Owners Manual, especially related to Samsung ML 6000 Printers Owners Manual, might be challenging as theyre often artistic creations rather than practical blueprints. However, you can explore the following steps to search for or create your own Online Searches: Look for websites, forums, or blogs dedicated to Samsung ML 6000 Printers Owners Manual, Sometimes enthusiasts share their designs or concepts in PDF format. Books and Magazines Some Samsung ML 6000 Printers Owners Manual books or magazines might include. Look for these in online stores or libraries. Remember that while Samsung ML 6000 Printers Owners Manual, sharing copyrighted material without permission is not legal. Always ensure youre either creating your own or obtaining them from legitimate sources that allow sharing and downloading. Library Check if your local library offers eBook lending services. Many libraries have digital catalogs where you can borrow Samsung ML 6000 Printers Owners Manual eBooks for free, including popular titles. Online Retailers: Websites like Amazon, Google Books, or Apple Books often sell eBooks. Sometimes, authors or publishers offer promotions or free periods for certain books. Authors Website Occasionally, authors provide excerpts or short stories for free on their websites. While this might not be the Samsung ML 6000 Printers Owners Manual full book , it can give you a taste of the authors

writing style. Subscription Services Platforms like Kindle Unlimited or Scribd offer subscription-based access to a wide range of Samsung ML 6000 Printers Owners Manual eBooks, including some popular titles.

### **FAQs About Samsung ML 6000 Printers Owners Manual Books**

1. Where can I buy Samsung ML 6000 Printers Owners Manual books? Bookstores: Physical bookstores like Barnes & Noble, Waterstones, and independent local stores. Online Retailers: Amazon, Book Depository, and various online bookstores offer a wide range of books in physical and digital formats.
2. What are the different book formats available? Hardcover: Sturdy and durable, usually more expensive. Paperback: Cheaper, lighter, and more portable than hardcovers. E-books: Digital books available for e-readers like Kindle or software like Apple Books, Kindle, and Google Play Books.
3. How do I choose a Samsung ML 6000 Printers Owners Manual book to read? Genres: Consider the genre you enjoy (fiction, non-fiction, mystery, sci-fi, etc.). Recommendations: Ask friends, join book clubs, or explore online reviews and recommendations. Author: If you like a particular author, you might enjoy more of their work.
4. How do I take care of Samsung ML 6000 Printers Owners Manual books? Storage: Keep them away from direct sunlight and in a dry environment. Handling: Avoid folding pages, use bookmarks, and handle them with clean hands. Cleaning: Gently dust the covers and pages occasionally.
5. Can I borrow books without buying them? Public Libraries: Local libraries offer a wide range of books for borrowing. Book Swaps: Community book exchanges or online platforms where people exchange books.
6. How can I track my reading progress or manage my book collection? Book Tracking Apps: Goodreads, LibraryThing, and Book Catalogue are popular apps for tracking your reading progress and managing book collections. Spreadsheets: You can create your own spreadsheet to track books read, ratings, and other details.
7. What are Samsung ML 6000 Printers Owners Manual audiobooks, and where can I find them? Audiobooks: Audio recordings of books, perfect for listening while commuting or multitasking. Platforms: Audible, LibriVox, and Google Play Books offer a wide selection of audiobooks.
8. How do I support authors or the book industry? Buy Books: Purchase books from authors or independent bookstores. Reviews: Leave reviews on platforms like Goodreads or Amazon. Promotion: Share your favorite books on social media or recommend them to friends.
9. Are there book clubs or reading communities I can join? Local Clubs: Check for local book clubs in libraries or

community centers. Online Communities: Platforms like Goodreads have virtual book clubs and discussion groups.

10. Can I read Samsung ML 6000 Printers Owners Manual books for free? Public Domain Books: Many classic books are available for free as they're in the public domain. Free E-books: Some websites offer free e-books legally, like Project Gutenberg or Open Library.

### **Find Samsung ML 6000 Printers Owners Manual :**

[procedure code for pediatric wellness exam](#)

[proficient speaker installation manual](#)

~~[problem solution of rabaey](#)~~

[prism nets with cubic units](#)

[pro power home gym instruction manual](#)

*product sales manual*

**pro laser 2 manual**

*professionaljobcentre gov za*

[procedural text lesson plans 4th grade](#)

[pro power multi gym instruction manual](#)

[probability and statistics devore 8th edition solutions](#)

[product information tpl b our stroke turbocharging](#)

~~[pro line owners manual](#)~~

**problem oriented medical diagnosis friedman**

~~[procedure manual template examples](#)~~

### **Samsung ML 6000 Printers Owners Manual :**

[chomp goes the alligator - Feb 25 2022](#)

web sep 4 2018 chomp goes the alligator isbn 1534426779 ean13 9781534426771 language english release date sep 4 2018 pages 26 dimensions 1 181102 h x

[chomp goes the alligator by matthew van fleet publishers - Nov 05 2022](#)

web chomp goes the alligator van fleet matthew amazon com tr Çerez tercihlerinizi seçin alışveriş deneyiminizi geliştirmek hizmetlerimizi sunmak müşterilerin hizmetlerimizi



**will chompers the alligator go outside shorts youtube** - Oct 24 2021

**chomp goes the alligator van fleet matthew amazon com tr** - Sep 03 2022

web chomp goes the alligator 9781534426771 by matthew van fleet

*chomp goes the alligator matthew van fleet google books* - Apr 10 2023

web from the internationally bestselling children s book creator matthew van fleet comes the story of a hungry little alligator who gulps his way from one to ten ten touchable

*my daughter s daycare keeps calling her by the wrong name* - Sep 22 2021

chomp on album by alligator jackson spotify - Nov 24 2021

web 11 hours ago 00 00 00 45 this mom is ready to go to the mat tresses one frustrated parent is calling out her daughter s daycare teacher after they assigned her precious

**chomp goes the alligator board book matthew van fleet** - May 31 2022

web from 1 new york times bestselling novelty book creator matt van fleet comes an irresistible picture book about a very hungry alligator who likes to chomp chomp

**chomp goes the alligator hardcover barnes noble** - May 11 2023

web sep 4 2018 from 1 new york times bestselling novelty book creator matt van fleet comes an irresistible picture book about a very hungry alligator who likes to chomp

chomp goes the alligator kirkus reviews - Feb 08 2023

web sep 4 2018 chomp goes the alligator by matthew van fleet illustrated by matthew van fleet release date sept 4 2018

**chomp goes the alligator van fleet matthew 9781534426771** - Dec 06 2022

web chomp goes the alligator matthew van fleet s s wiseman 19 99 26p isbn 978 1 5344 2677 1 there s a big die cut chomp taken out of the side of this oversized

**buy chomp goes the alligator book by matthew van fleet** - Dec 26 2021

web does chompers the alligator get to go outside animals youtubeshorts shortsvideo please subscribe goo gl zhubnr buy a team soni or team

*chomp goes the alligator sam s club* - Mar 29 2022

web hello sign in account lists returns orders cart

*chomp goes the alligator by matthew van fleet book review* - Mar 09 2023

web jun 5 2019 chomp goes the alligator by matthew van fleet was reviewed by trevor jockims discover more books like

chomp goes the alligator by following along with

**chomp goes the alligator amazon co uk** - Jul 13 2023

web sep 4 2018 from 1 new york times bestselling novelty book creator matt van fleet comes an irresistible picture book about a very hungry alligator who likes to chomp

**chomp goes the alligator amazon com** - Aug 14 2023

web sep 4 2018 the culprit an adorable alligator who gobbles up fellow swamp animals from one to 10 a large pull tab makes the alligator s mouth open wide four leathery black

*chomp goes the alligator van fleet books* - Jan 07 2023

web from 1 new york times bestselling novelty book creator matt van fleet comes an irresistible picture book about a very hungry alligator who likes to chomp chomp

[chomp goes the alligator book by matthew van fleet official](#) - Jun 12 2023

web from 1 new york times bestselling novelty book creator matt van fleet comes an irresistible picture book about a very hungry alligator who likes to chomp chomp

**chomp goes the alligator by matthew van fleet** - Oct 04 2022

web chomp goes the alligator a cute cute story of the hungry little alligator who chomps and gulps his way through 1 fish 2 otters 3 cranes to 10 hummingbirds kids will love

[chomp goes the alligator hardcover mainstreet bookends of](#) - Apr 29 2022

web chomp goes the alligator matthew van fleet title chomp goes the alligator author van fleet matthew author illustrator isbn 9781534426771 edition first edition

**amazon ca chomp goes the alligator** - Jan 27 2022

web listen to chomp on on spotify alligator jackson album 2009 46 songs alligator jackson album 2009 46 songs sign up log in home search your library create

*chomp goes the alligator dot gibson publications* - Aug 02 2022

web buy book view book summary see book reviews add to wishlist view other books by matthew van fleet find books with similar themes

**chomp goes the alligator christianbook com** - Jul 01 2022

web from 1 new york times bestselling novelty book creator matt van fleet comes an irresistible picture book about a very hungry alligator who likes to chomp chomp

**colloquial levantine arabic amazon com** - Nov 06 2022

web mar 18 2019 an easy and simple way to pronounce read and write the arabic alphabet effective practical exercises to

build up sentences in levantine arabic clear exercises to get you talking quickly structured explanation of the most commonly used colloquial levantine verbs phrases and vocabulary

**colloquial arabic levantine ebook and mp3 pack** - Apr 11 2023

web jul 1 2015 balanced comprehensive and rewarding colloquial arabic levantine will be an indispensable resource both for independent learners and students taking courses in levantine arabic course components the complete course comprises the book and audio materials these are available to purchase separately in paperback ebook cd

**colloquial language series website colloquial arabic** - Mar 10 2023

web colloquial language series website colloquial arabic colloquial arabic free audio colloquial hebrew arabic levantine arabic of egypt gulf arabic arabic levantine colloquial arabic levantine provides a step by step course in levantine arabic as it [colloquial arabic levantine the complete course for beginners](#) - Aug 15 2023

web description colloquial arabic levantine provides a step by step course in levantine arabic as it is used today combining a user friendly approach with a thorough treatment of the language it equips learners with the essential skills needed to communicate confidently and effectively in levantine arabic in a broad range of situations

**colloquial arabic levantine ia903206 us archive org** - Aug 03 2022

web colloquial arabic levantine 1 arabic language spoken arabic 2 arabic language grammar i title 492 783421 pj6307 80 42071 4 predictabilityarabic has almost complete predictability in its patterns cf english light lit fight fought sight sighted past tense verbs conjugate

**colloquial arabic levantine the complete course for** - Mar 30 2022

web balanced comprehensive and rewarding colloquial arabic levantine is an indispensable resource both for independent learners and students taking courses in levantine arabic colloquials are now supported by free audio available online all audio tracks referenced within the text are free to stream or download from

**colloquial levantine arabic complete arabic begin matthew** - Feb 26 2022

web arabic voices 1 and 2 you will hear egyptian arabic levantine arabic lebanese arabic palestinian arabic jordanian arabic yemeni arabic tunisian arabic moroccan arabic as well as modern standard arabic mp3s are available for free download at [lingualism com](#) the segments in modern standard arabic provide valuable

**colloquial arabic levantine the complete course for beginners** - Oct 05 2022

web jan 2 2017 colloquial arabic levantine the complete course for beginners free download borrow and streaming internet archive webamp volume 90 1 01 introduction 04 29 2 02 lesson01vocabulary 00 58 3 03 lesson01exercises 00 22

[colloquial levantine arabic complete arabic begin 2023](#) - Jul 02 2022

web begin colloquial arabic of egypt jul 26 2022 colloquial arabic of egypt provides a step by step course in spoken egyptian

arabic the most widely understood dialect in the arab world combining a user friendly approach with a thorough treatment of the language it equips learners with the essential skills needed to communicate confidently

[colloquial levantine arabic khaled nassra google books](#) - Feb 09 2023

web this is third edition 2022 april it comes with an audio book email me to receive it colloquial levantine arabic drawing on years of experience provides a user friendly introduction to

**colloquial levantine arabic complete arabic begin** - Jan 28 2022

web comprehensive and rewarding colloquial arabic levantine is an indispensable resource both for independent learners and students taking courses in levantine arabic

[archive org](#) - Apr 30 2022

web colloquial arabic levantine colloquial arabic levantine provides a step by step course in levantine arabic as it is used today combining a user friendly approach with a thoro

[colloquiallevantinea rabiccompletearabic begin](#) - Dec 27 2021

web learn levantine arabic colloquial palestinian arabic the news in modern standard arabic levantine arabic levantine colloquial arabic vocabulary beginning learner s russian dictionary arabic voices 2 levantine arabic verbs colloquial arabic levantine arabiiyat al naas part one idioms and idiomatic expressions in

[levantine arabic conversation intermediate level youtube](#) - Jun 01 2022

web oct 15 2020 arabic in six months for one to one zoom classes or in person contact email nassraarabicmethed gmail com whatsapp 44 7743096300 levantine arabic conversation intermediate level

[colloquial arabic levantine the complete course for beginners](#) - Jul 14 2023

web apr 22 2022 colloquial arabic levantine the complete course for beginners coursebook for learning shami arabic note that there isn t arabic writing in this book but all latin transliterated arabic words

**arabic colloquial levantine beginners course soas** - Dec 07 2022

web this course is designed for complete beginners of levantine arabic and will teach them to apply the language within a limited range of everyday situations using the four skills listening speaking reading and writing

[colloquial arabic levantine the complete course for](#) - Jan 08 2023

web sep 18 2018 colloquial arabic levantine the complete course for beginners colloquial series al masri mohammad on amazon com free shipping on qualifying offers colloquial arabic levantine the complete

[colloquial arabic levantine the complete course for beginners](#) - Sep 04 2022

web l mcLoughlin colloquial arabic levantine the complete course for beginners colloquial arabic levantine specially written by experienced teachers for self study or class use the course offers you a step by step approach to

**colloquial arabic levantine the complete course for beginners** - May 12 2023

web may 9 2020 english addeddate 2020 05 09 13 04 19 identifier colloquial arabic levantine the complete course for beginners identifier ark ark 13960 t3716sz6c ocr abbyy finereader 11 0 extended ocr

*colloquial arabic levantine the complete course for* - Jun 13 2023

web sep 10 2015 colloquial arabic levantine the complete course for beginners mo colloquial arabic levantine provides a step by step course in levantine arabic as it is used today combining a user friendly approach with a thorough monograph

**textbook of clinical echocardiography textbook of clinical** - Aug 26 2022

web may 9 2013 textbook of clinical echocardiography 5th edition enables you to use echocardiography to its fullest potential in your initial diagnosis decision making and clinical management of patients with a wide range of heart diseases

the eae textbook of echocardiography oxford academic - Jun 23 2022

web mar 1 2011 abstract the eae textbook of echocardiography is the official textbook of the european association of echocardiography eae it serves the educational requirements of cardiologists and all clinical medical professionals

underpinning the structural training in the field in accordance with eae aims and goals and reflecting the

textbook of clinical echocardiography expert consult abebooks - Dec 30 2022

web textbook of clinical echocardiography expert consult online and print by otto md catherine m isbn 10 1416055592 isbn 13 9781416055594 saunders 2009 hardcover

**the eacvi textbook of echocardiography oxford academic** - May 23 2022

web this fully updated second edition of the official textbook of the european association of cardiovascular imaging eacvi serves the educational requirements of cardiologists and all clinical medical professionals underpinning the structural

training in accordance with the eacvi goals and reflecting the core european syllabus throughout

*textbook of clinical echocardiography expert consult online* - Oct 08 2023

web jul 30 2009 textbook of clinical echocardiography expert consult online and print otto md catherine m on amazon com free shipping on qualifying offers textbook of clinical echocardiography expert consult online and print

*textbook of clinical echocardiography expert consult online* - Jul 25 2022

web jul 1 2009 buy textbook of clinical echocardiography expert consult online and print by otto catherine m isbn

8580000483543 from amazon s book store free uk delivery on eligible orders textbook of clinical echocardiography expert consult online and print otto catherine m amazon co uk books

*cardiovascular imaging textbooks european society of cardiology* - Nov 28 2022

web designed and written by leading experts in the field of echocardiography for use in the clinical arena this practical handbook provides the necessary information for reviewing or consulting while performing or reporting on an echo or

*textbook of clinical echocardiography expert consult online* - Aug 06 2023

web catherine otto s textbook of clinical echocardiography 6th edition clearly outlines how to master the core principles of echocardiographic imaging in order to make an initial diagnosis and integrate this data in clinical decision making for patients with a wide range of cardiovascular diseases

textbook of clinical echocardiography expert consult online - Jun 04 2023

web textbook of clinical echocardiography 5th edition enables you to use echocardiography to its fullest potential in your initial diagnosis decision making and clinical management of patients with a wide range of heart diseases

echocardiography review guide companion to the textbook of clinical - Feb 17 2022

web elsevier apr 30 2015 cardiovascular system 432 pages this review companion to dr catherine otto s textbook of clinical echocardiography demonstrates how to record echos avoid

**textbook of clinical echocardiography 9780323882088 us** - May 03 2023

web textbook of clinical echocardiography 7th edition author catherine m otto previous edition isbn 9780323480482 today s echocardiography continues to be a widely available minimal risk procedure with the potential to yield a vast amount of detailed precise anatomic and physiologic information dr

echocardiography review guide companion to the pdf - Mar 21 2022

web echocardiography review guide companion to the textbook of clinical echocardiography expert consult online and print 2e pdf catherine m otto rebecca g schwaegler rosario v freeman 2011 441 pages 36 14 mb english

**textbook of clinical echocardiography expert consult alibris** - Apr 21 2022

web buy textbook of clinical echocardiography expert consult online and print by catherine m otto online at alibris we have new and used copies available in 1 editions starting at 20 00 textbook of clinical echocardiography expert consult online and print by catherine m otto write the first customer review filter results shipping

**textbook of clinical echocardiography amazon com** - Jul 05 2023

web mar 9 2018 matches full color anatomic drawings of heart structures with the 2d and 3d echocardiographic views pairs state of the art echo images with more than 360 videos that illustrate the full range of cardiac disease diagnosed with this powerful imaging approach expert consult ebook version included with purchase

**textbook of clinical echocardiography expert consult amazon ca** - Jan 31 2023

web jul 16 2009 textbook of clinical echocardiography expert consult online and print 4e hardcover july 16 2009 by catherine m otto author 4 4 4 4 out of 5 stars 52 ratings

**textbook of clinical echocardiography 9780323480482 us** - Sep 07 2023

web dr catherine otto s textbook of clinical echocardiography 6th edition clearly outlines how to master the core principles of

echocardiographic imaging in order to make an initial diagnosis and integrate this data in clinical decision making for patients with a wide range of cardiovascular diseases ideal for cardiology fellows medicine

*echocardiography review guide companion to the textbook of clinical* - Sep 26 2022

web apr 13 2011 buy echocardiography review guide companion to the textbook of clinical echocardiography expert consult online and print 2e expert consult title online print by otto md catherine m schwaegler bs rdcs rebecca gibbons freeman md ms rosario v isbn 9781437720211 from amazon s book store free

**9781416055594 textbook of clinical echocardiography expert consult** - Mar 01 2023

web textbook of clinical echocardiography expert consult online and print by otto md catherine m and a great selection of related books art and collectibles available now at abebooks com

**textbook of clinical echocardiography google books** - Oct 28 2022

web textbook of clinical echocardiography catherine m otto saunders elsevier 2009 diagnostic ultrasonic imaging 519 pages the fourth edition is presents an accessible primer on this complex

textbook of clinical echocardiography expert consult - Apr 02 2023

web jan 1 1995 the fourth edition of textbook of clinical echocardiography presents an accessible primer on t textbook of clinical echocardiography expert consult online and print by catherine m otto md goodreads