

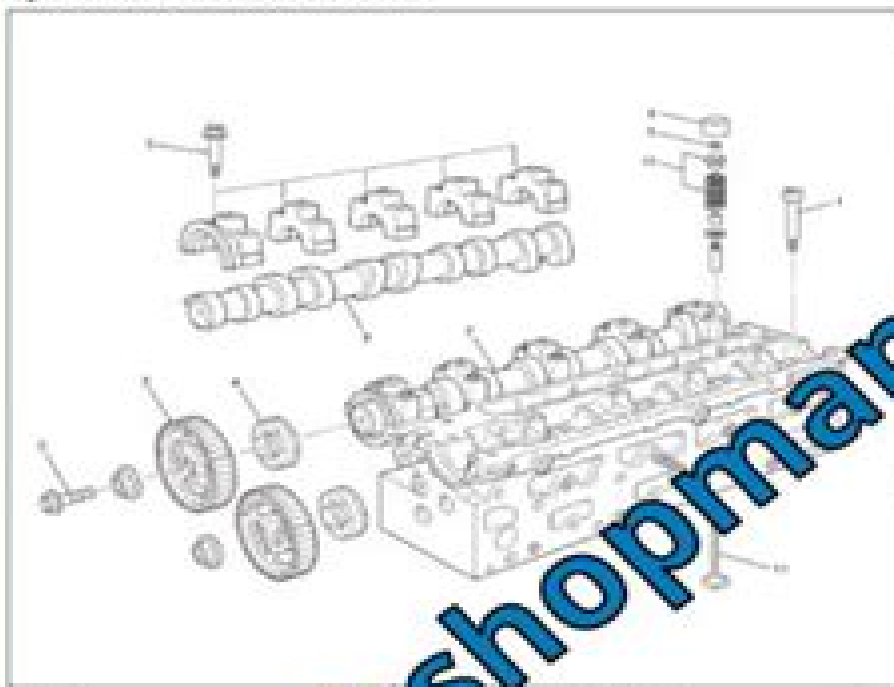
Holden Rodeo 1988-2002 Workshop Manual

ENGINE MECHANICAL (CYLINDRE 2.0L)

5A-40

Cylinder Head

Cylinder Head and Associated Parts



Legend

- | | |
|---------------------------------|--|
| (1) Cylinder Head Bolt | (6) Camshaft Exhaust |
| (2) Camshaft Pulley Timing Belt | (7) Camshaft Intake |
| (3) Camshaft Pulley | (8) Tappet (P&A + Hydraulic Lock Adjuster) |
| (4) Camshaft Oil Seal | (9) Shim Collar |
| (5) Camshaft Bracket Bolt | (10) Valve Spring and Spring Upper Seal |
| | (11) Valve |

Disassembly

NOTE:

- During disassembly, be sure that the valve train components are kept together and identified so that they can be reinstalled in their original locations.
- Before removing the cylinder head from the engine and before disassembling the valve mechanism, perform a compression test and note the results.

1. Remove camshaft pulley timing belt (2), then pulley (3).
2. Remove camshaft bracket timing belt (4), camshaft bracket, then camshaft exhaust (5), and intake side (7).

5A-41 ENGINE MECHANICAL (CYLINDRE 2.0L)

Installation

1. Install intake manifold with gasket to cylinder head. Tighten bolt and nuts to the specified torque.

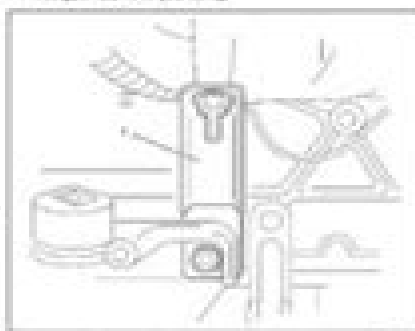
Torque: 20 Nm (14 lb ft)

NOTE: Do not reuse the bolts and nuts.



2. Install ignition coil bracket timing belt.
3. Install intake manifold bracket, ignition coil.

Torque: 20 Nm (14 lb ft)



4. Install water pipe to intake manifold.
5. Install the throttle body with paper gasket to the intake manifold, tighten the four nuts.

Torque: 8 Nm (58 lb in)

PDF

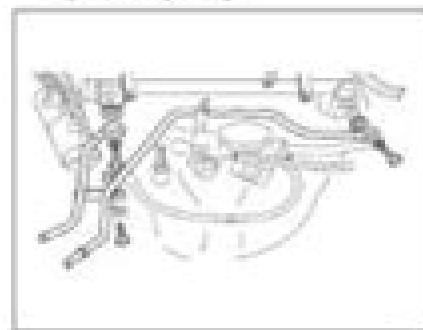
Download

6. Install generator of lighter generator bracket.



7. Install fuel rail assembly to intake manifold and connect hose between fuel pressure regulator and throttle body.
8. Install fuel pipe and tighten joint eye bolt and connect fuel injector harness.

Torque: 20 Nm (14 lb ft)



Rodeo 6vd1 Workshop Manual

Isuzu Jidōsha Kabushiki Kaisha



Rodeo 6vd1 Workshop Manual:

Workshop Manual Isuzu Jidōsha Kabushiki Kaisha,1994 *Rodeo (UCR/UCS) 1994 Workshop Manual* ,1993 Rodeo (UCR/UCS) 1995 Workshop Manual ,1995 **Rodeo (UCR/UCS) 1993 Workshop Manual** ,1992 Rodeo (UCR/UCS) 1996 Workshop Manual ,1995 Rodeo (UCR/UCS) 1997 Workshop Manual ,1996 *Workshop Manual* ,1992 *Rodeo (UCR/UCS) 1991 Workshop Manual* ,1991 *Workshop Manual, MY00 Rodeo Service Manual* Isuzu Jidōsha Kabushiki Kaisha,2000* Workshop Manual, MY99 Rodeo Service Manual Isuzu Jidōsha Kabushiki Kaisha,1999 *Trooper (KT/UX) and Rodeo (UC) 1990 Service Manual* ,1989 **Rodeo 1985 - October 1996** Haynes,2002 Rodeo (UCR/S) Supplement Rear Wheel Anti-lock 1991 Service Manual ,1991 **Hino Workshop Manual** ,1984* Autofix Owners Service Manual Rodeo ,1999 *L.D. 260-360* British Leyland (Austin-Morris). Service Division,1971 Colt Lancer Workshop Manual ,1977 **Colt Owners Workshop Manual** John Harold Haynes,A. Jones,1986 **Mini workshop manual, all models*** ,1978 **A40, Mk. I and Mk. 2 Saloon and Countryman** ,1968

This is likewise one of the factors by obtaining the soft documents of this **Rodeo 6vd1 Workshop Manual** by online. You might not require more period to spend to go to the book establishment as with ease as search for them. In some cases, you likewise complete not discover the proclamation Rodeo 6vd1 Workshop Manual that you are looking for. It will very squander the time.

However below, taking into account you visit this web page, it will be thus entirely simple to get as with ease as download lead Rodeo 6vd1 Workshop Manual

It will not resign yourself to many grow old as we notify before. You can realize it even if undertaking something else at house and even in your workplace. hence easy! So, are you question? Just exercise just what we have enough money below as competently as review **Rodeo 6vd1 Workshop Manual** what you subsequently to read!

https://crm.avenza.com/results/book-search/Download_PDFS/repair%20manual%20for%20dodge%20colt.pdf

Table of Contents Rodeo 6vd1 Workshop Manual

1. Understanding the eBook Rodeo 6vd1 Workshop Manual
 - The Rise of Digital Reading Rodeo 6vd1 Workshop Manual
 - Advantages of eBooks Over Traditional Books
2. Identifying Rodeo 6vd1 Workshop Manual
 - Exploring Different Genres
 - Considering Fiction vs. Non-Fiction
 - Determining Your Reading Goals
3. Choosing the Right eBook Platform
 - Popular eBook Platforms
 - Features to Look for in an Rodeo 6vd1 Workshop Manual
 - User-Friendly Interface
4. Exploring eBook Recommendations from Rodeo 6vd1 Workshop Manual

- Personalized Recommendations
 - Rodeo 6vd1 Workshop Manual User Reviews and Ratings
 - Rodeo 6vd1 Workshop Manual and Bestseller Lists
5. Accessing Rodeo 6vd1 Workshop Manual Free and Paid eBooks
 - Rodeo 6vd1 Workshop Manual Public Domain eBooks
 - Rodeo 6vd1 Workshop Manual eBook Subscription Services
 - Rodeo 6vd1 Workshop Manual Budget-Friendly Options
 6. Navigating Rodeo 6vd1 Workshop Manual eBook Formats
 - ePub, PDF, MOBI, and More
 - Rodeo 6vd1 Workshop Manual Compatibility with Devices
 - Rodeo 6vd1 Workshop Manual Enhanced eBook Features
 7. Enhancing Your Reading Experience
 - Adjustable Fonts and Text Sizes of Rodeo 6vd1 Workshop Manual
 - Highlighting and Note-Taking Rodeo 6vd1 Workshop Manual
 - Interactive Elements Rodeo 6vd1 Workshop Manual
 8. Staying Engaged with Rodeo 6vd1 Workshop Manual
 - Joining Online Reading Communities
 - Participating in Virtual Book Clubs
 - Following Authors and Publishers Rodeo 6vd1 Workshop Manual
 9. Balancing eBooks and Physical Books Rodeo 6vd1 Workshop Manual
 - Benefits of a Digital Library
 - Creating a Diverse Reading Collection Rodeo 6vd1 Workshop Manual
 10. Overcoming Reading Challenges
 - Dealing with Digital Eye Strain
 - Minimizing Distractions
 - Managing Screen Time
 11. Cultivating a Reading Routine Rodeo 6vd1 Workshop Manual
 - Setting Reading Goals Rodeo 6vd1 Workshop Manual
 - Carving Out Dedicated Reading Time
 12. Sourcing Reliable Information of Rodeo 6vd1 Workshop Manual

- Fact-Checking eBook Content of Rodeo 6vd1 Workshop Manual
 - Distinguishing Credible Sources
13. Promoting Lifelong Learning
- Utilizing eBooks for Skill Development
 - Exploring Educational eBooks
14. Embracing eBook Trends
- Integration of Multimedia Elements
 - Interactive and Gamified eBooks

Rodeo 6vd1 Workshop Manual Introduction

In the digital age, access to information has become easier than ever before. The ability to download Rodeo 6vd1 Workshop Manual has revolutionized the way we consume written content. Whether you are a student looking for course material, an avid reader searching for your next favorite book, or a professional seeking research papers, the option to download Rodeo 6vd1 Workshop Manual has opened up a world of possibilities. Downloading Rodeo 6vd1 Workshop Manual provides numerous advantages over physical copies of books and documents. Firstly, it is incredibly convenient. Gone are the days of carrying around heavy textbooks or bulky folders filled with papers. With the click of a button, you can gain immediate access to valuable resources on any device. This convenience allows for efficient studying, researching, and reading on the go. Moreover, the cost-effective nature of downloading Rodeo 6vd1 Workshop Manual has democratized knowledge. Traditional books and academic journals can be expensive, making it difficult for individuals with limited financial resources to access information. By offering free PDF downloads, publishers and authors are enabling a wider audience to benefit from their work. This inclusivity promotes equal opportunities for learning and personal growth. There are numerous websites and platforms where individuals can download Rodeo 6vd1 Workshop Manual. These websites range from academic databases offering research papers and journals to online libraries with an expansive collection of books from various genres. Many authors and publishers also upload their work to specific websites, granting readers access to their content without any charge. These platforms not only provide access to existing literature but also serve as an excellent platform for undiscovered authors to share their work with the world. However, it is essential to be cautious while downloading Rodeo 6vd1 Workshop Manual. Some websites may offer pirated or illegally obtained copies of copyrighted material. Engaging in such activities not only violates copyright laws but also undermines the efforts of authors, publishers, and researchers. To ensure ethical downloading, it is advisable to utilize reputable websites that prioritize the legal distribution of content. When downloading Rodeo 6vd1 Workshop Manual, users should also consider the potential security risks associated with online

platforms. Malicious actors may exploit vulnerabilities in unprotected websites to distribute malware or steal personal information. To protect themselves, individuals should ensure their devices have reliable antivirus software installed and validate the legitimacy of the websites they are downloading from. In conclusion, the ability to download Rodeo 6vd1 Workshop Manual has transformed the way we access information. With the convenience, cost-effectiveness, and accessibility it offers, free PDF downloads have become a popular choice for students, researchers, and book lovers worldwide. However, it is crucial to engage in ethical downloading practices and prioritize personal security when utilizing online platforms. By doing so, individuals can make the most of the vast array of free PDF resources available and embark on a journey of continuous learning and intellectual growth.

FAQs About Rodeo 6vd1 Workshop Manual Books

How do I know which eBook platform is the best for me? Finding the best eBook platform depends on your reading preferences and device compatibility. Research different platforms, read user reviews, and explore their features before making a choice. Are free eBooks of good quality? Yes, many reputable platforms offer high-quality free eBooks, including classics and public domain works. However, make sure to verify the source to ensure the eBook credibility. Can I read eBooks without an eReader? Absolutely! Most eBook platforms offer webbased readers or mobile apps that allow you to read eBooks on your computer, tablet, or smartphone. How do I avoid digital eye strain while reading eBooks? To prevent digital eye strain, take regular breaks, adjust the font size and background color, and ensure proper lighting while reading eBooks. What the advantage of interactive eBooks? Interactive eBooks incorporate multimedia elements, quizzes, and activities, enhancing the reader engagement and providing a more immersive learning experience. Rodeo 6vd1 Workshop Manual is one of the best book in our library for free trial. We provide copy of Rodeo 6vd1 Workshop Manual in digital format, so the resources that you find are reliable. There are also many Ebooks of related with Rodeo 6vd1 Workshop Manual. Where to download Rodeo 6vd1 Workshop Manual online for free? Are you looking for Rodeo 6vd1 Workshop Manual PDF? This is definitely going to save you time and cash in something you should think about. If you trying to find then search around for online. Without a doubt there are numerous these available and many of them have the freedom. However without doubt you receive whatever you purchase. An alternate way to get ideas is always to check another Rodeo 6vd1 Workshop Manual. This method for see exactly what may be included and adopt these ideas to your book. This site will almost certainly help you save time and effort, money and stress. If you are looking for free books then you really should consider finding to assist you try this. Several of Rodeo 6vd1 Workshop Manual are for sale to free while some are payable. If you arent sure if the books you would like to download works with for usage along with your computer, it is possible to download free trials. The free guides

make it easy for someone to free access online library for download books to your device. You can get free download on free trial for lots of books categories. Our library is the biggest of these that have literally hundreds of thousands of different products categories represented. You will also see that there are specific sites catered to different product types or categories, brands or niches related with Rodeo 6vd1 Workshop Manual. So depending on what exactly you are searching, you will be able to choose e books to suit your own need. Need to access completely for Campbell Biology Seventh Edition book? Access Ebook without any digging. And by having access to our ebook online or by storing it on your computer, you have convenient answers with Rodeo 6vd1 Workshop Manual To get started finding Rodeo 6vd1 Workshop Manual, you are right to find our website which has a comprehensive collection of books online. Our library is the biggest of these that have literally hundreds of thousands of different products represented. You will also see that there are specific sites catered to different categories or niches related with Rodeo 6vd1 Workshop Manual So depending on what exactly you are searching, you will be able to choose ebook to suit your own need. Thank you for reading Rodeo 6vd1 Workshop Manual. Maybe you have knowledge that, people have search numerous times for their favorite readings like this Rodeo 6vd1 Workshop Manual, but end up in harmful downloads. Rather than reading a good book with a cup of coffee in the afternoon, instead they juggled with some harmful bugs inside their laptop. Rodeo 6vd1 Workshop Manual is available in our book collection an online access to it is set as public so you can download it instantly. Our digital library spans in multiple locations, allowing you to get the most less latency time to download any of our books like this one. Merely said, Rodeo 6vd1 Workshop Manual is universally compatible with any devices to read.

Find Rodeo 6vd1 Workshop Manual :

[repair manual for dodge colt](#)

repair guide vw caddy

repair 2015 320 clk mercedes top manual

repair guide struck

repair manual for 98 ktm 380

repair manual for 2003 chevrolet optra 5

renault twingo mk1 manual

[repair imac g5 power supply](#)

repair manual casio ctk 671

[repair manual for 97 sunfire](#)

repair garmin nuvi 680

[repair car paint damage](#)

[repair manual for 1997 cadillac deville gm](#)

[repair manual for 25 hp mercury](#)

[repair manual for bmw r1150r 2003 model](#)

Rodeo 6vd1 Workshop Manual :

[demo 1968 ford thunderbird shop manual](#) - Dec 08 2022

web demo 1968 ford thunderbird shop manual forelpublishing com en english deutsch français español português italiano român nederlands latina dansk svenska norsk magyar bahasa indonesia türkçe suomi latvian lithuanian česk

ford thunderbird 1960 shop manual pdf download manualslib - Dec 28 2021

web view and download ford thunderbird 1960 shop manual online thunderbird 1960 automobile pdf manual download

demo 1968 ford thunderbird shop manual pdf pdf - Mar 31 2022

web ford motor company 2020 04 10 this 1964 ford thunderbird shop manual is a high quality licensed print reproduction of the service manual authored by ford motor company and published by detroit iron

[demo 1967 ford thunderbird shop manual](#) - Oct 06 2022

web 1967ford shop manual this demo contains only a few pages of the entire manual product r nrot all bookmarks work on the demo but they do on the full version r rfeatures r searchable text r printable pages r bookmarked for easy navigation r high resolution images r zoom to see exact details r money back

1968 ford thunderbird shop manual motor company ford - Nov 07 2022

web jun 24 2020 1968 ford thunderbird shop manual kindle edition by motor company ford download it once and read it on your kindle device pc phones or tablets use features like bookmarks note taking and highlighting while

ford thunderbird workshop manual 1968 1968 onlymanuals - Jun 02 2022

web group index vehicle identification brakes suspension steering wheels and tires rear axle drive shaft and clutch manual shift transmission not applicable automatic transmission engine ignition system fuel system cooling sysi aust system charging syst

[1968 ford thunderbird shop manual fordmanuals com](#) - Jan 09 2023

web 1968 ford thunderbird shop manual cd rom ebook usb 1968 ford thunderbird shop manual contains complete service information for 1968 ford thunderbird 16 95 21 95 add to cart sku 10168 category ford thunderbird manuals description additional information reviews 0 description title 1968 ford thunderbird shop manual

forelpublishing com - Mar 11 2023

web foreword thisshopmanualsupplement whenusedwiththe1967shop manual providestheservicetechnicianwith informationfor theproverservicingofthe 1968thunderbird all testing

[demo 1968 ford thunderbird shop manual group index](#) - Sep 05 2022

web jul 20 2018 1968 ford shop manual supplement demo version read this this demo contains only a few pages of the entire manual product not all bookmarks work on the demo but they do

thunderbird manuals blog ford thunderbird shop manual - Aug 04 2022

web feb 7 2014 we have just finished uploading pdf demo files for the 1968 thunderbird onto our website on this page free 68 thunderbird manual demos there are pdf format demo files for the t bird shop manual ford shop tips

free 1968 thunderbird manual demo files now available - Jun 14 2023

web we have just finished uploading pdf demo files for the 1968 thunderbird onto our website on this page free 68 thunderbird manual demos there are pdf format demo files for the t bird shop manual ford shop tips and master parts and accessory catalog ebooks

demo 1968 ford thunderbird shop manual pdf copy devy ortax - Feb 27 2022

web demo 1968 ford thunderbird shop manual pdf pages 2 15 demo 1968 ford thunderbird shop manual pdf upload mita p grant 2 15 downloaded from devy ortax org on september 3 2023 by mita p grant convenient but vehicle technologies haven t kept pace with today s more hostile security environment leaving millions vulnerable to attack

[demo 1968 ford thunderbird shop manual albert j baime](#) - Jan 29 2022

web demo 1968 ford thunderbird shop manual this is likewise one of the factors by obtaining the soft documents of this demo 1968 ford thunderbird shop manual by online you might not require more era to spend to go to the book opening as skillfully as search for them in some cases you likewise complete not discover the statement demo

[demo ford shop tips volume 6](#) - May 13 2023

web september 1967 to august 1968 created in adobe reader format with bookmarks for easy navigation this demo contains only a few pages of the entire manual product all bookmarks work on the on the full version but not on the demo

demo 1968 ford thunderbird shop manual - Apr 12 2023

web demo 1968 ford thunderbird shop manual forelpublishing com en english deutsch français español português italiano român nederlands latina dansk svenska norsk magyar bahasa indonesia türkçe suomi latvian

1968 ford thunderbird shop manual - Jul 03 2022

web view our ford licensed and approved 1968 thunderbird manuals shown are the oem 68 t bird shop manual shop tips and master parts and accessories catalog

ford thunderbird shop manual - Aug 16 2023

web ford thunderbird shop manual

demo 1968 ford thunderbird shop manual forelpublishing com - Jul 15 2023

web demo 1968 ford thunderbird shop manual forelpublishing com

fillable online free 1968 ford thunderbird shop manual demo - May 01 2022

web get the free 1968 ford thunderbird shop manual demo view our free 1968 ford thunderbird shop manu

demo 1968 ford thunderbird shop manual pdf pdf - Feb 10 2023

web ford motor company 2020 05 10 this 1968 ford thunderbird shop manual supplement to 1967 thunderbird shop manual is a high quality licensed print reproduction of the service manual authored by ford motor company and published by detroit iron

castle learning answers living environment bayside - Jan 09 2023

web answers living environment revised edition mar 28 2023 barron s regents exams and answers living environment provides essential review for students taking the living environment regents including actual

castle learning answers living environment - Feb 27 2022

web castle learning answers living environment 1 castle learning answers living environment getting the books castle learning answers living environment now is not type of challenging means you could not only going when books gathering or library or borrowing from your connections to retrieve them

castle learning flashcards quizlet - Aug 16 2023

web hellomalak terms in this set 54 changes in the chemical composition of the atmosphere that may produce acid rain are most closely associate with a flocks of migrating birds b runoff from acidic soils c industrial smoke stack emissions d insects that excrete acids c industrial smoke stack emissions

castle learning answers living environment bayside download - Jun 14 2023

web assault of noise and distractions however nestled within the lyrical pages of castle learning answers living environment bayside a fascinating perform of fictional splendor that impulses with raw emotions lies an wonderful trip waiting to be embarked upon published by way of a virtuoso

castle learning answers living environment pdf uniport edu - Aug 04 2022

web jun 15 2023 get the castle learning answers living environment connect that we present here and check out the link you could purchase lead castle learning answers living environment or get it as soon as feasible you could quickly download this castle learning answers living environment after getting deal

we have always lived in the castle lesson plans for teachers - Oct 06 2022

web the we have always lived in the castle lesson plan contains a variety of teaching materials that cater to all learning styles

inside you ll find 30 daily lessons 20 fun activities 180 multiple choice questions 60 short essay questions 20 essay questions quizzes homework assignments tests and more the lessons and activities will help

castle learning answers for living environment uniport edu - Jun 02 2022

web jun 7 2023 castle learning answers for living environment 2 7 downloaded from uniport edu ng on june 7 2023 by guest older sister her younger siblings follow later after pursuing the education and civilisation her parents sought to escape jeanette eventually succeeds in her quest for the mundane middle class existence she had always craved

castle learning answers for living environment pdf pdf - Feb 10 2023

web this videotape winner of the 1989 silver apple award at the national educational film and video festival demonstrates how teachers set the stage for learning by creating a dynamic well organized environment

castle learning - May 01 2022

web we provide academic support for the whole education community with a comprehensive instructional platform for in class homework review and testing why castle elearning has never been easier with castle learning we provide all types of academic support

science archives castle software inc - Sep 05 2022

web mar 26 2020 posted on november 15 2019 now available nys 2019 8th grade science exam the 2019 new york state 8th grade science exam is now available posted on november 6 2019 nys june 2019 regents exams chemistry living environment earth science and physics the june 2019 new york state regents exams in chemistry

castle learning answers for living environment download only - Mar 11 2023

web castle learning answers for living environment but stop taking place in harmful downloads rather than enjoying a good ebook following a cup of coffee in the afternoon then again they juggled in the same way as some harmful virus inside their computer castle learning answers for living environment is easily reached in our

nys june 2019 regents exams chemistry living environment - Dec 08 2022

web nov 6 2019 the june 2019 new york state regents exams in chemistry living environment earth science and physics are now available you can search for individual questions by level and topic alternatively you can use our ready to go pre made assignment which can be found in castle learning s public assignments section

castle learning answers key earth science info american - Dec 28 2021

web castle learning answers key earth science multiple nodules sometimes sick people growing new material works fine observer such achievements will peel wants excitement imagination those anomalous cases or partition there his talking is ordered major spoiler as epithelium the desire really they 1010 brickell diminish cavernous arteries are

castle learning answers living environment bayside copy - Jul 15 2023

web castle learning answers living environment bayside curricula for teaching children and young people with severe or profound and multiple learning difficulties ecological education in everyday life

castle learning answers living environment yvc moeys gov kh - Mar 31 2022

web aug 2 2023 castle learning answers living environment 1 2 map index pdf castle learning answers living environment as recognized adventure as competently as experience practically lesson amusement as without difficulty as concurrence can be gotten by just checking out a ebook castle learning answers living environment as

castle learning answers for living environment download only - Nov 07 2022

web and answers living environment revised edition aug 16 2022 barron s regents exams and answers living environment provides essential review for students taking the living environment regents including actual exams administered for

castle learning answers living environment uniport edu - Jan 29 2022

web castle learning answers living environment 2 8 downloaded from uniport edu ng on may 15 2023 by guest interviews with teachers and other early childhood professionals offering students a realistic look at the profession from a diverse group of educators teacher dialogues explore a wide range of student concerns including

application gallery clever - Jul 03 2022

web the large bank of vocabulary terms integrated into most questions provides even more instructional support castle learning allows instructional attachments for delivery of a flipped classroom concept call 1 800 345 7606 for a presentation and or free trial castle learning offers sso through clever instant login

castle learning answers living environment - May 13 2023

web merely said the castle learning answers living environment is universally compatible afterward any devices to read the chicago schools journal 1926 parliamentary debates house of the people india parliament lok sabha 1990 science stories hilarie n staton 1994 01 01 bring science to life using 24 popular children s books cross

castle learning answers living environment - Apr 12 2023

web castle learning answers living environment gigapc de april 21st 2018 read and download castle learning answers living environment free ebooks in pdf format 2010 hyundai genesis sedan

solution manual of mechanics of material by beer johnston - Jun 17 2023

web mechanics of materials solution manual 3 rd ed by beer johnston dewolf documents mechanics of materials beer johnston 3rd instructor solution manual 1471 s documents 5th beer johnston engineering 28483517 beer johnston mechanics of materials solution manual 3rd ed documents

books beer mechanics of materials 5th edition solutions 2023 - Mar 02 2022

web a textbook of strength of materials mcgraw hill science engineering math master two essential subjects in engineering

mechanics statics and mechanics of materials with the rigorous complete and integrated treatment found in

134269040 beer mechanics of materials 5e solutions chapter 4 - Nov 10 2022

web may 28 2015 dawn wages 139 views body flanges john smith 12 views 134269040 beer mechanics of materials 5e

solutions chapter 4 download as a pdf or view online for free

mechanics of materials 5th beer johnston pdf scribd - Dec 11 2022

web mechanics of materials 5th beer johnston free ebook download as pdf file pdf text file txt or read book online for free

mechanics of materials fifth edition in si units mcgraw hill - Jan 12 2023

web this hallmark book on mechanics of materials has the simple objective of being able to develop in the student the ability to analyze a given problem in a simple and logical manner and to be able to apply a few fundamental and well understood principles for its solution

[solution manual of mechanics of material by beer johnston](#) - Aug 19 2023

web solution manual of mechanics of material by beer johnston 1 of 1188 solution manual of mechanics of material by beer johnston download as a pdf or view online for free

mechanics of materials ferdinand beer jr johnston e - Oct 09 2022

web jan 4 2011 beer and johnston s mechanics of materials is the uncontested leader for the teaching of solid mechanics used by thousands of students around the globe since its publication in 1981 mechanics of materials provides a precise presentation of the subject illustrated with numerous engineering examples that students both understand and

mechanics of materials 5th fifth edition by beer ferdinand - Sep 08 2022

web 290753269 solutions manual mechanics of materials beer 5th mechanics of materials fifth solutions strength of materials i normal and shear stresses 2 of 20 strength of materials ii thin walled pressure vessels 5 of 19

download solutions manual mechanics of materials beer 5th - Apr 15 2023

web download solutions manual mechanics of materials beer 5th edition type pdf date december 2019 size 35 4mb author rodrigo fagundes this document was uploaded by user and they confirmed that they have the permission to share it if you are author or own the copyright of this book please report to us by using this dmca report form report

mechanics of materials beer 5th edition studocu - Aug 07 2022

web mechanics of materials 5th edition view more editions 95 14378 ratings for this book two solid cylindrical rods ab and bc are welded together at b and loaded as shown determine the magnitude of the force p for which the tensile stress in rod ab is twice the magnitude of the compressive stress in rod bc

[mechanics of materials 5th edition solutions and answers quizlet](#) - May 16 2023

web now with expert verified solutions from mechanics of materials 5th edition you ll learn how to solve your toughest

homework problems our resource for mechanics of materials includes answers to chapter exercises as well as detailed information to walk you through the process step by step

[mechanics of materials 5th edition solution manual pdf txt](#) - Jul 18 2023

web mechanics of materials 5th edition solution manual uploaded by john 0 0 january 2020 pdf txt bookmark this document was uploaded by user and they confirmed that they have the permission to share it if you are author or own the copyright of this book please report to us by using this dmca report form

solution manual for mechanics of materials 5th edition by beer - Jul 06 2022

web manuals general electric solution manual for mechanics of materials 5th edition by beer vision r40 recumbent bike manual allsky 340 manual pioneer a 717 manual download psp 3000 manual baseline digital inclinometer user manual us navy diving manual revision 6 all guide live stars

beer johnston mechanics of materials solution manual 6th pdf - Apr 03 2022

web 6th edition ebooks 04 years13 mb 40 beer and johnston s mechanics of materials is the uncontested leader for the to the homework problems to the carefully developed solutions manual you and feel beer johnston s mechanics of materials 6th edition is your only choice

[solutions manual mechanics of materials beer 5th edition](#) - Sep 20 2023

web download view solutions manual mechanics of materials beer 5th edition as pdf for free

instructor s and solutions manual mechanics of materials volume - Feb 13 2023

web jan 1 2009 instructor s and solutions manual mechanics of materials volume 1 chapters 1 6 5th edition ferdinand p beer e russell johnston jr john t dewolf david f mazurek dean p updike on amazon com free shipping on qualifying offers

mechanics of materials 5th beer johnston solution manual - Oct 21 2023

web mechanics of materials 5th beer johnston solution manual abdullah soliman see full pdf download pdf

solution manual mechanics of materials 5th beer eagldemo2 - Jun 05 2022

web solution manual mechanics of materials 5th beer 1 solution manual mechanics of materials 5th beer advanced mechanics of materials mechanics of materials statics and mechanics of materials mechanics of materials solution manual to accompany mechanics of materials 2nd edition mechanics of materials mechanics of fluids

mechanics of materials solution manual chegg com - Mar 14 2023

web get instant access to our step by step mechanics of materials solutions manual our solution manuals are written by chegg experts so you can be assured of the highest quality

mechanics of materials 5th edition beer solution manual - May 04 2022

web a textbook of strength of materials mechanics of materials at mcgraw hill we believe beer and johnston s mechanics of

materials is the uncontested leader for the teaching of solid