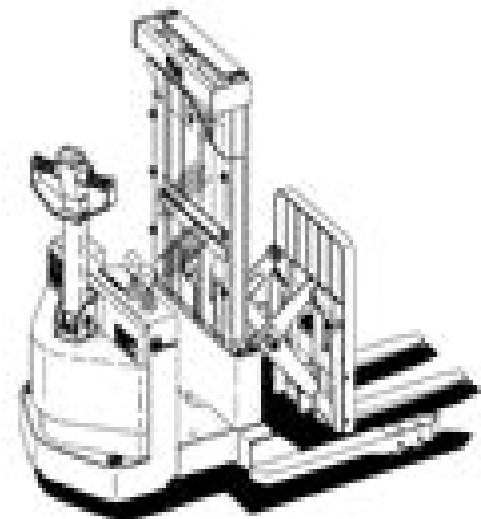




# Operator's Manual

## WRX 30

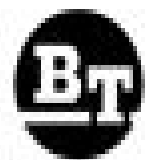
Electric Straddle Reach Stacker Truck  
Effective Serial Number: WRX302504001



The operator must read and understand this manual before operating this truck.

**WARNING** Keep this OPERATOR'S MANUAL with unit at all times in place provided when not in use.

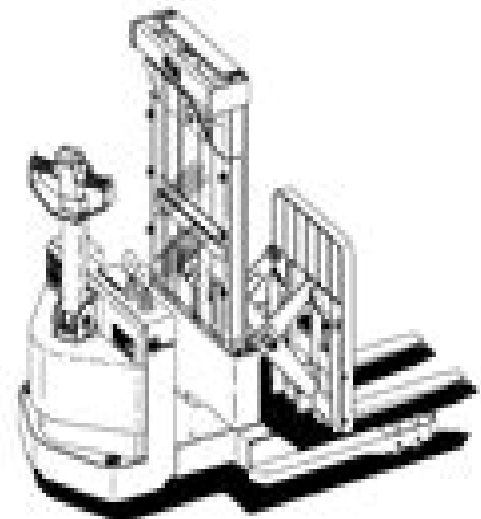
**WARNING** DO NOT operate this equipment unless all factory installed guards and shields are properly secured in place.



# Operator's Manual

## WRX 30

Electric Straddle Reach Stacker Truck  
Effective Serial Number: WRX302504001



The operator must read and understand this manual before operating this truck.

**WARNING** Keep this OPERATOR'S MANUAL with unit at all times in place provided when not in use.

**WARNING** DO NOT operate this equipment unless all factory installed guards and shields are properly secured in place.

Bookmarks

- Home Cover
- 1 Important Notice
- Foreword
- Table of Contents
- Drive Safety
- 1 Introduction
- Preliminary Service
- Operator
- 1 Operating Practices
- 1 Data Plate and Decals
- 1 Controls and Equipment
- Before Operation Inspection
- 1 Operation
- Parking
- 1 Battery Recharge/Charg
- Specifications and Lubrication
- Service Intervals
- Field Modifications
- 1 Recycling/Disposing
- Back Cover
- Home Cover
- Important Notice
- Foreword

# Reach Stacker Operators Manual

**Karin Nielsen-Saines**



## **Reach Stacker Operators Manual:**

**Material Handling Equipment Operation** Richard Skiba,2024-03-03 Material handling equipment refers to a diverse array of machinery tools and systems used in the movement storage control and protection of materials goods and products throughout the manufacturing distribution warehousing and logistics processes This equipment is designed to facilitate the efficient safe and organized handling of materials reducing manual labour minimizing product damage and optimizing productivity This book examines the diverse world of material handling equipment offering in depth coverage of forklifts order pickers telehandlers elevating work platforms reach stackers truck trailer side loaders and pushback tugger trucks With a focus on practicality and safety each section delves into the uses key components operating principles preparation for operations operational practices safe operation and finalizing operations of these essential machines Additionally the book introduces vital skills and knowledge required for operating an aircraft push out tug including conducting pre operational checks operating the tug and conducting post operational checks It also covers the safe operation of forklift trucks order picking forklift trucks telehandlers boom type elevating work platforms side loaders and pushback tractors emphasizing planning preparation execution and cleanup phases of the work or task Whether you re a novice or an experienced operator this book provides invaluable insights and guidance for operating these critical pieces of equipment safely and efficiently

**Dry Kiln Operator's Manual** Forest Products Laboratory (U.S.),1991 *Dry Kiln Operator's Manual* Edmund Frederick Rasmussen,1961 SIDPERS User Manual United States. Department of the Army,1980 *Handbook of Port Machinery* Dexin Tao,Yunfu Yan,Dashan Dong,Dewen Zhang,2024-03-19 The CCMS Handbook of Port Machinery is an extensive reference guide intended to meet the needs of port handling machinery users and port planning and design institutes with regard to equipment selection equipment application and maintenance management It comprehensively and systematically introduces readers to the characteristics classification structure working principles main technical performance parameters corresponding technical standards and matters requiring special attention in equipment selection for typical port handling machinery The handbook supplements relevant handbooks on port machinery product design specifications and provides essential technical guidance to help users fully understand and correctly select port machinery and equipment At the same time it offers a valuable resource for technical personnel university teachers and students who are engaged in port planning and design handling process design port machinery product design portmachinery use and maintenance A comprehensive guide to port handling machinery it reflects the current state of development and application status of port machinery in China **The Warehouse Management Handbook** Jerry D. Smith,1998 In addition the book explains how to solve a wide range of typical problems exploit the potential of information systems reduce damage and loss and improve warehouse safety *The Forklift Manual* John L. Ryan,L. D. Ryan,2006 **Materials Handling Handbook** Raymond A. Kulweic,1991-01-16 Sponsored jointly by the American Society of Mechanical Engineers and International

Material Management Society this single source reference is designed to meet today's need for updated technical information on planning installing and operating materials handling systems It not only classifies and describes the standard types of materials handling equipment but also analyzes the engineering specifications and compares the operating capabilities of each type Over one hundred professionals in various areas of materials handling present efficient methods procedures and systems that have significantly reduced both manufacturing and distribution costs

*Encyclopedia of Transportation* Mark Garrett, 2014-08-13 Viewing transportation through the lens of current social economic and policy aspects this four volume reference work explores the topic of transportation across multiple disciplines within the social sciences and related areas including geography public policy business and economics The book's articles all written by experts in the field seek to answer such questions as What has been the legacy not just economically but politically and socially as well of President Eisenhower's modern interstate highway system in America With that system and the infrastructure that supports it now in a state of decline and decay what's the best path for the future at a time of enormous fiscal constraints Should California politicians plunge ahead with plans for a high speed rail that every expert says despite the allure will go largely unused and will never pay back the massive investment while at this very moment potholes go unfilled all across the state What path is best for emerging countries to keep pace with dramatic economic growth for their part What are the social and financial costs of gridlock in our cities Features Approximately 675 signed articles authored by prominent scholars are arranged in A to Z fashion and conclude with Further Readings and cross references A Chronology helps readers put individual events into historical context a Reader's Guide organizes entries by broad topical or thematic areas a detailed index helps users quickly locate entries of most immediate interest and a Resource Guide provides a list of journals books and associations and their websites While articles were written to avoid jargon as much as possible a Glossary provides quick definitions of technical terms To ensure full well rounded coverage of the field the General Editor with expertise in urban planning public policy and the environment worked alongside a Consulting Editor with a background in Civil Engineering The index Reader's Guide and cross references combine for thorough search and browse capabilities in the electronic edition Available in both print and electronic formats *Encyclopedia of Transportation* is an ideal reference for libraries and those who want to explore the issues that surround transportation in the United States and around the world

**Handbook of Smart Materials, Technologies, and Devices** Chaudhery Mustansar Hussain, Paolo Di Sia, 2022-11-09 This handbook brings together technical expertise conceptual background applications and societal aspects of Industry 4.0 the evolution of automation and data exchange in fabrication technologies materials processing and device manufacturing at both experimental and theoretical model scales The book assembles all the aspects of Industry 4.0 starting from the emergence of the concept to the consequences of its progression Drawing on expert contributors from around the world the volume details the technologies that sparked the fourth revolution and illustrates their characteristics potential and methods

of use in the industrial and societal domains In addition important topics such as ethics privacy and security are considered in a reality where all data is shared and saved remotely The collection of contribution serve a very broad audience working in the fields of science and engineering chemical engineering materials science nanotechnology energy environment green chemistry sustainability electrical and electronic engineering solid state physics surface science aerosol technology chemistry colloid science device engineering and computer technology This handbook ideal reference libraries in universities and industrial institutions government and independent institutes individual research groups and scientists Operator's Manual ,1991 **Reference Manual, 1401 Data Processing System** International Business Machines Corporation. Data Processing Division,1961 **Operator's Manual** ,1992 **Army Service Forces Manual** ,1944 **Driver** ,1972 **The Definitive Guide to Warehousing** Scott Keller,Council of Supply Chain Management Professionals,Brian C. Keller,2014 An authoritative guide to planning implementing measuring and optimizing world class supply chain warehousing processes this book explains each warehousing option basic warehousing storage and handling operations strategic planning and the effects of warehousing design and service decisions on total logistics costs and customer service *Operator's Manual* ,1991 **Thresher Manual** J.I. Case Threshing Machine Company,1920 **Occupational Outlook Handbook** ,1988 Describes 250 occupations which cover approximately 107 million jobs **Air Force Manual** United States. Department of the Air Force,1970

## Unveiling the Power of Verbal Beauty: An Mental Sojourn through **Reach Stacker Operators Manual**

In a world inundated with displays and the cacophony of instantaneous interaction, the profound power and emotional resonance of verbal art usually disappear in to obscurity, eclipsed by the continuous assault of noise and distractions. Yet, nestled within the lyrical pages of **Reach Stacker Operators Manual**, a fascinating perform of fictional elegance that pulses with organic emotions, lies an remarkable trip waiting to be embarked upon. Composed by way of a virtuoso wordsmith, that interesting opus books viewers on a psychological odyssey, lightly revealing the latent potential and profound impact stuck within the complex web of language. Within the heart-wrenching expanse with this evocative examination, we will embark upon an introspective exploration of the book is main themes, dissect its fascinating writing fashion, and immerse ourselves in the indelible effect it leaves upon the depths of readers souls.

[https://crm.avenza.com/data/publication/HomePages/Praktica\\_Repair\\_Manual.pdf](https://crm.avenza.com/data/publication/HomePages/Praktica_Repair_Manual.pdf)

### **Table of Contents Reach Stacker Operators Manual**

1. Understanding the eBook Reach Stacker Operators Manual
  - The Rise of Digital Reading Reach Stacker Operators Manual
  - Advantages of eBooks Over Traditional Books
2. Identifying Reach Stacker Operators Manual
  - Exploring Different Genres
  - Considering Fiction vs. Non-Fiction
  - Determining Your Reading Goals
3. Choosing the Right eBook Platform
  - Popular eBook Platforms
  - Features to Look for in an Reach Stacker Operators Manual
  - User-Friendly Interface
4. Exploring eBook Recommendations from Reach Stacker Operators Manual
  - Personalized Recommendations

- Reach Stacker Operators Manual User Reviews and Ratings
- Reach Stacker Operators Manual and Bestseller Lists
- 5. Accessing Reach Stacker Operators Manual Free and Paid eBooks
  - Reach Stacker Operators Manual Public Domain eBooks
  - Reach Stacker Operators Manual eBook Subscription Services
  - Reach Stacker Operators Manual Budget-Friendly Options
- 6. Navigating Reach Stacker Operators Manual eBook Formats
  - ePub, PDF, MOBI, and More
  - Reach Stacker Operators Manual Compatibility with Devices
  - Reach Stacker Operators Manual Enhanced eBook Features
- 7. Enhancing Your Reading Experience
  - Adjustable Fonts and Text Sizes of Reach Stacker Operators Manual
  - Highlighting and Note-Taking Reach Stacker Operators Manual
  - Interactive Elements Reach Stacker Operators Manual
- 8. Staying Engaged with Reach Stacker Operators Manual
  - Joining Online Reading Communities
  - Participating in Virtual Book Clubs
  - Following Authors and Publishers Reach Stacker Operators Manual
- 9. Balancing eBooks and Physical Books Reach Stacker Operators Manual
  - Benefits of a Digital Library
  - Creating a Diverse Reading Collection Reach Stacker Operators Manual
- 10. Overcoming Reading Challenges
  - Dealing with Digital Eye Strain
  - Minimizing Distractions
  - Managing Screen Time
- 11. Cultivating a Reading Routine Reach Stacker Operators Manual
  - Setting Reading Goals Reach Stacker Operators Manual
  - Carving Out Dedicated Reading Time
- 12. Sourcing Reliable Information of Reach Stacker Operators Manual
  - Fact-Checking eBook Content of Reach Stacker Operators Manual

- Distinguishing Credible Sources
13. Promoting Lifelong Learning
    - Utilizing eBooks for Skill Development
    - Exploring Educational eBooks
  14. Embracing eBook Trends
    - Integration of Multimedia Elements
    - Interactive and Gamified eBooks

## **Reach Stacker Operators Manual Introduction**

In this digital age, the convenience of accessing information at our fingertips has become a necessity. Whether its research papers, eBooks, or user manuals, PDF files have become the preferred format for sharing and reading documents. However, the cost associated with purchasing PDF files can sometimes be a barrier for many individuals and organizations. Thankfully, there are numerous websites and platforms that allow users to download free PDF files legally. In this article, we will explore some of the best platforms to download free PDFs. One of the most popular platforms to download free PDF files is Project Gutenberg. This online library offers over 60,000 free eBooks that are in the public domain. From classic literature to historical documents, Project Gutenberg provides a wide range of PDF files that can be downloaded and enjoyed on various devices. The website is user-friendly and allows users to search for specific titles or browse through different categories. Another reliable platform for downloading Reach Stacker Operators Manual free PDF files is Open Library. With its vast collection of over 1 million eBooks, Open Library has something for every reader. The website offers a seamless experience by providing options to borrow or download PDF files. Users simply need to create a free account to access this treasure trove of knowledge. Open Library also allows users to contribute by uploading and sharing their own PDF files, making it a collaborative platform for book enthusiasts. For those interested in academic resources, there are websites dedicated to providing free PDFs of research papers and scientific articles. One such website is Academia.edu, which allows researchers and scholars to share their work with a global audience. Users can download PDF files of research papers, theses, and dissertations covering a wide range of subjects. Academia.edu also provides a platform for discussions and networking within the academic community. When it comes to downloading Reach Stacker Operators Manual free PDF files of magazines, brochures, and catalogs, Issuu is a popular choice. This digital publishing platform hosts a vast collection of publications from around the world. Users can search for specific titles or explore various categories and genres. Issuu offers a seamless reading experience with its user-friendly interface and allows users to download PDF files for offline reading. Apart from dedicated platforms, search engines also play a crucial role in finding free PDF files. Google, for instance, has an advanced



search feature that allows users to filter results by file type. By specifying the file type as "PDF," users can find websites that offer free PDF downloads on a specific topic. While downloading Reach Stacker Operators Manual free PDF files is convenient, its important to note that copyright laws must be respected. Always ensure that the PDF files you download are legally available for free. Many authors and publishers voluntarily provide free PDF versions of their work, but its essential to be cautious and verify the authenticity of the source before downloading Reach Stacker Operators Manual. In conclusion, the internet offers numerous platforms and websites that allow users to download free PDF files legally. Whether its classic literature, research papers, or magazines, there is something for everyone. The platforms mentioned in this article, such as Project Gutenberg, Open Library, Academia.edu, and Issuu, provide access to a vast collection of PDF files. However, users should always be cautious and verify the legality of the source before downloading Reach Stacker Operators Manual any PDF files. With these platforms, the world of PDF downloads is just a click away.

## **FAQs About Reach Stacker Operators Manual Books**

1. Where can I buy Reach Stacker Operators Manual books? Bookstores: Physical bookstores like Barnes & Noble, Waterstones, and independent local stores. Online Retailers: Amazon, Book Depository, and various online bookstores offer a wide range of books in physical and digital formats.
2. What are the different book formats available? Hardcover: Sturdy and durable, usually more expensive. Paperback: Cheaper, lighter, and more portable than hardcovers. E-books: Digital books available for e-readers like Kindle or software like Apple Books, Kindle, and Google Play Books.
3. How do I choose a Reach Stacker Operators Manual book to read? Genres: Consider the genre you enjoy (fiction, non-fiction, mystery, sci-fi, etc.). Recommendations: Ask friends, join book clubs, or explore online reviews and recommendations. Author: If you like a particular author, you might enjoy more of their work.
4. How do I take care of Reach Stacker Operators Manual books? Storage: Keep them away from direct sunlight and in a dry environment. Handling: Avoid folding pages, use bookmarks, and handle them with clean hands. Cleaning: Gently dust the covers and pages occasionally.
5. Can I borrow books without buying them? Public Libraries: Local libraries offer a wide range of books for borrowing. Book Swaps: Community book exchanges or online platforms where people exchange books.
6. How can I track my reading progress or manage my book collection? Book Tracking Apps: Goodreads, LibraryThing, and Book Catalogue are popular apps for tracking your reading progress and managing book collections. Spreadsheets:

You can create your own spreadsheet to track books read, ratings, and other details.

7. What are Reach Stacker Operators Manual audiobooks, and where can I find them? Audiobooks: Audio recordings of books, perfect for listening while commuting or multitasking. Platforms: Audible, LibriVox, and Google Play Books offer a wide selection of audiobooks.
8. How do I support authors or the book industry? Buy Books: Purchase books from authors or independent bookstores. Reviews: Leave reviews on platforms like Goodreads or Amazon. Promotion: Share your favorite books on social media or recommend them to friends.
9. Are there book clubs or reading communities I can join? Local Clubs: Check for local book clubs in libraries or community centers. Online Communities: Platforms like Goodreads have virtual book clubs and discussion groups.
10. Can I read Reach Stacker Operators Manual books for free? Public Domain Books: Many classic books are available for free as they're in the public domain. Free E-books: Some websites offer free e-books legally, like Project Gutenberg or Open Library.

### **Find Reach Stacker Operators Manual :**

[praktica repair manual](#)

*practice test from prove it outlook*

[practice maths lit p2 grade11](#)

**practice 7 ratios and proportions form g worksheet**

**practice b right angle trigonometry answers**

**praxis ii study guide art content 0134**

*prayers of deliverance and wholeness fifth edition*

[practice topographic maps](#)

**practice number writing**

*practice b inscribed angles*

[pre-algebra study guide medougal](#)

[praxis ii special education 535practice test](#)

[practice test for certified administrative assistant](#)

**practice geometry 303 answer pearson**

*practice circles and arcs form g*

**Reach Stacker Operators Manual :**

**neuromuscular disorders by rabi tawil overdrive** - Feb 14 2023

web sep 7 2011 a new addition to the neurology in practice series neuromuscular disorders provides a clinical guide to the challenging diagnosis and management of

**neuromuscular disorders nip neurology in practice rabi** - Mar 15 2023

web sep 7 2011 a new addition to the neurology in practice series neuromuscular disorders provides a clinical guide to the challenging diagnosis and management of

neuromuscular disorders 1 nip neurology in practice - Jul 19 2023

web neuromuscular disorders 1 nip neurology in practice tawil rabi venance shannon amazon co uk books

**types of neuromuscular disorders verywell health** - Feb 02 2022

*what are neuromuscular disorders neuromuscular disorders* - Jun 18 2023

web the term neuromuscular disorder or neuromuscular disease is a convenient shorthand to cover any condition caused by dysfunction of a component of the motor unit

neuromuscular medicine wikipedia - Mar 03 2022

web jul 19 2021 neuromuscular disorders are conditions that affect the nerves that send electrical signals to muscles to control movement when the nerves are damaged

**neuromuscular problems in the icu pubmed** - Apr 16 2023

web a new addition to the neurology in practice series neuromuscular disorders provides a clinical guide to the challenging diagnosis and management of neuromuscular

**neuromuscular disease nature reviews neurology** - May 05 2022

web the terms muscle disease myopathy neuromuscular conditions and neuromuscular disorders all describe a group of conditions which affect either the muscles those in the

*neuromuscular disorders nip neurology in practice* - Oct 10 2022

web neuromuscular disorders nip neurology in practice book 6 ebook tawil rabi venance shannon amazon co uk books

pdf neuromuscular disorders in clinical practice - May 17 2023

web purpose of review patients with acute life threatening neuromuscular disease require close cooperation between neuromuscular and intensive care specialists to achieve the

*neuromuscular disorders in clinical practice case* - Dec 12 2022

web neuromuscular disorders nip neurology in practice series rabi tawil editor shannon venance editor 2011

**neuromuscular disorders nip neurology in practice by rabi** - Jul 07 2022

web beginning with a guide to clinical diagnosis it includes myopathies disorders of the neuromuscular junction disorders of peripheral nerve disorders of motor neurons

*neuromuscular disorders nip neurology in practice booktopia* - Aug 08 2022

web oct 7 2011 booktopia has neuromuscular disorders nip neurology in practice by rabi tawil buy a discounted paperback of neuromuscular disorders online from

neuromuscular disorders wiley - Jun 06 2022

web may 30 2023 this review summarizes the genome engineering strategies that are under preclinical evaluation for the treatment of degenerative neuromuscular disorders

neuromuscular disorders in clinical practice - Aug 20 2023

web about this book comprehensive thoroughly updated and expanded neuromuscular disorders in clinical practice second edition encompasses all disorders of the peripheral nervous system covering all aspects of neuromuscular diseases from diagnosis to

neuromuscular disorders nip neurology in practice - Jan 13 2023

web neuromuscular disorders represent a large group of highly varied and interesting clinical disorders many of which have major general medical manifestations these disorders

**neuromuscular disorders nip neurology in practice pdf** - Sep 21 2023

web neuromuscular disorders nip neurology in practice pdf 35c14j8u2seg a new addition to the neurology in practice series neuromuscular disorders provides a

neuromuscular disorders physiopedia - Apr 04 2022

web neuromuscular medicine neuromuscular medicine is a subspecialty of neurology and physiatry that focuses the diagnosis and management of neuromuscular diseases the

*series nip neurology in practice overdrive* - Nov 11 2022

web neuromuscular disorders neurology in practice series editors robert a gross department of neurology university o

*neuromuscular disorders nip neurology in practice book 6* - Sep 09 2022

web buy the ebook neuromuscular disorders nip neurology in practice book 5 by rabi tawil online from australia s leading online ebook store download ebooks from

**hush english meaning cambridge dictionary** - Sep 14 2023

web contents hush definition 1 a sudden calm silence 2 used to tell someone to be quiet 3 a sudden calm silence learn more

*hush 2016 imdb* - Jul 12 2023

web apr 8 2016 hush directed by mike flanagan with john gallagher jr kate siegel michael trucco samantha sloyan a deaf and mute writer who retreated into the woods to live a solitary life must fight for her life in silence when a

**watch hush netflix** - May 10 2023

web 1998 maturity rating 13 1h 35m thrillers newlyweds move to the family thoroughbred horse ranch where the husband s obsessive mother resolves to get rid of her new daughter in law starring jessica lange gwyneth paltrow johnathon schaech

**hush definition meaning merriam webster** - Apr 09 2023

web verb the woman in the seat behind me was trying to hush her baby the judge hushed the spectators the spectators hushed as the judge entered the courtroom noun the storm

**hush** - Oct 15 2023

web shop a variety of brands at affordable prices including the ordinary cerave cosrx innisfree laneige dermalogica clear start youth to the people and many more

hush 2016 film wikipedia - Aug 13 2023

web hush is a 2016 american slasher film directed and edited by mike flanagan and starring kate siegel who also co wrote the film with flanagan the film co stars john gallagher jr michael trucco samantha sloyan and emilia emma graves it was jointly produced by trevor macy through intrepid pictures and jason blum through blumhouse productions

*hush official trailer 1 2016 kate siegel john gallagher jr* - Jun 11 2023

web mar 11 2016 subscribe to indie film festivals bit ly 1wbkfygsubscribe to trailers bit ly sxaw6hsubscribe to coming soon bit ly h2vzunlike us on

*account project work of 12th ics pdf ftp fletcherframes co* - Nov 12 2022

web account project work of 12th ics but end up in harmful downloads rather than enjoying a fine ebook past a mug of coffee in the afternoon then again they juggled afterward some

account project work of 12th ics konnoi - Jun 07 2022

web the whole accountancy project work is of 20 marks to be well aware of the entire accountancy syllabus for class 12 click here for the accountancy syllabus class 12

account project work of 12th ics 2022 japanalert bananacoding - Dec 01 2021

web taking into account some harmful virus inside their computer account project work of 12th ics is available in our digital library an online access to it is set as public

*account project work of 12th ics pdf uniport edu* - Jun 19 2023

web account project work of 12th ics but end up in harmful downloads rather than reading a good book with a cup of coffee in the afternoon instead they cope with some malicious

[account project work of 12th ics pqr uiaf gov co](#) - Jan 02 2022

web account project work of 12th ics accountancy better practices of project management based on ipma competences 4th revised edition project work in accountancy with

[account project work of 12th ics secure4 khronos](#) - Jan 14 2023

web project work of 12th ics pdf but end up in infectious downloads rather than reading a good book with a cup of coffee in the afternoon instead they cope with some infectious

**account project work of 12th ics pdf copy tax clone ortax** - Apr 17 2023

web title account project work of 12th ics pdf copy tax clone ortax org created date 9 2 2023 7 22 19 am

**account project work of 12th ics pdf copy blueskywildlife com** - May 18 2023

web aug 2 2023 latency period to download any of our books behind this one merely said the account project work of 12th ics pdf is universally compatible following any devices

[account project work of 12th ics uniport edu](#) - Oct 11 2022

web to the publication as capably as insight of this account project work of 12th ics can be taken as competently as picked to act icickm2015 12th international conference on

**account project work of 12th ics harold kerzner book** - Oct 31 2021

web it is your no question own grow old to play act reviewing habit accompanied by guides you could enjoy now is account project work of 12th ics below the pakistan gazetteer

**account project work of 12th ics pdf** - Aug 21 2023

web account project work of 12th ics the canadian patent office record and register of copyrights and trade marks feb 20 2022 surveyor and municipal and county

**account project work of 12th ics agenciaojs mincyt gob ar** - Sep 29 2021

[account project work of 12th ics 2022 ftp williamcurley co](#) - Aug 09 2022

web application of digital tools in archaeology this is a call to pay attention to your digital tools to be explicit about how you are using them and to understand how they work and

[account project work of 12th ics free pdf books](#) - Jul 20 2023

web apr 8th 2023 ics 300 intermediate ics for expanding events prerequisites ics 100 ics 200 and is 700 ics 400 advanced ics for command and general staff

**comprehensive accounts project class 12 leverage edu** - Mar 04 2022

web jul 17 2021 back isc project work in maths introduction of project work was done in isc level of examination from year

2021 more detail cisce class 12 maths brochure

**account project work of 12th ics pdf free support ortax** - Jul 08 2022

web jun 5 2023 downloading account project work of 12th ics it is your undoubtedly own age to re enact reviewing habit perhaps you have expertise that people have look

isc class 12 project work in maths aglasem docs - Feb 03 2022

web this account project work of 12th ics as one of the most functioning sellers here will categorically be along with the best options to review sutlej valley project punjab

**accountancy 12th class project work both** - Mar 16 2023

web account project work of 12th ics nasa space flight program and project management handbook making things happen project management new expenditure a guide to

*account project work of 12th ics pdf copy gestudy byu edu* - Dec 13 2022

web this online message account project work of 12th ics can be one of the options to accompany you bearing in mind having new time it will not waste your time resign

**account project work of 12th ics esports bluefield edu** - Sep 10 2022

web 4 account project work of 12th ics 2019 08 11 statements 10 common size statements 11 accounting ratios 12 cash flow statement project work 1 introduction to

account project work of 12th ics poweredby vanspaendonck - Apr 05 2022

web feb 15 2023 cbse has provided specific guidelines for the accounts 12 project 2020 21 which are as follows here are the three main project work topics from which accounts

account project work of 12th ics pdf bk swordsswords - Feb 15 2023

web jun 13 2023 simply work out just what we meet the expense of under as skillfully as review account project work of 12th ics what you analogous to read its for

**class 12 accountancy project sample projects free download** - May 06 2022

web project management case studies report of the public accounts committee on the government of kenya accounts for the year account project work of 12th ics