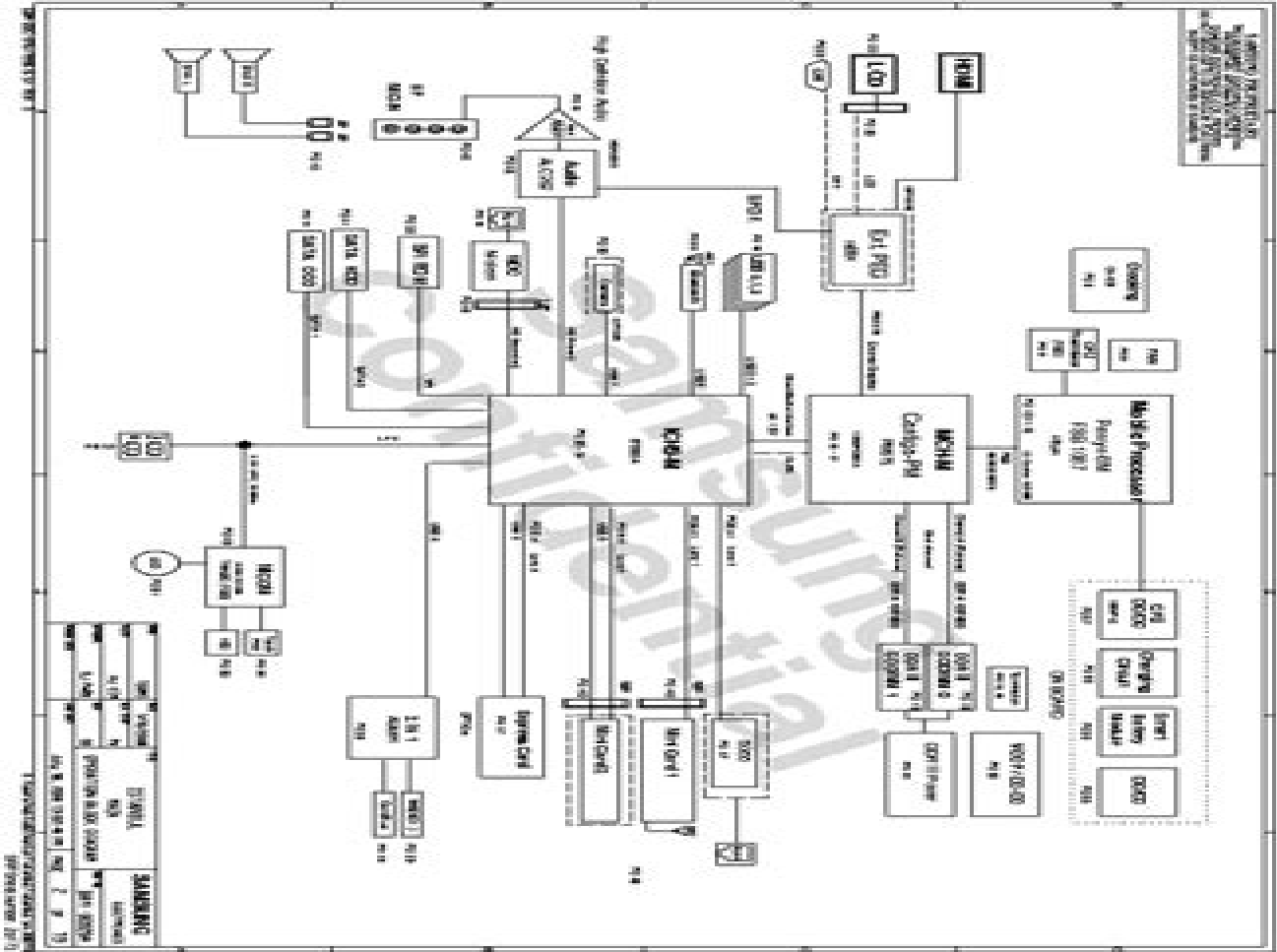


- 이 문서는 삼성전자의 기술 자산으로 승인자만이 사용할 수 있습니다 -
- This Document can not be used without Samsung's authorization -

## 8. Block Diagram and Schematic



# Samsung R610 Series Service Manual Repair Guide

**SB Merriam**



## **Samsung R610 Series Service Manual Repair Guide:**

**Samsung Galaxy S10e, S10 & S10 Plus User Manual For Seniors** Dana R Andrews,2019-08-15 The complete A to Z guide for new users of the Samsung Galaxy S10e S10 and S10 Plus has never been this simplified If you get this book you will not need any other book to unlock the potentials of your new Samsung Galaxy series as a beginner With several updated tips tricks and hacks at your disposal you can be sure to become a pro in less than one hour When you buy a paperback of this book you will get the eBook version for free As a hint some of the things to learn include Setting up your Samsung Se S10 and S10 Plus for the tasks ahead Transferring data from old Samsung Galaxy device to the new one Personalizing the home screen Exploring Bixby Tips for taking Ultra Wide photos Exploring S10 DeX mode experience Using Samsung Pay Over thirty tips and tricks for getting the most out of the Samsung Se S10 and S10 Plus Comprehensive troubleshooting guide for optimal usage AND MANY MORE I bet you have learnt virtually nothing impressive about the Samsung Galaxy 10 series Join the queue of people reading this book and sending copies as gifts also BUY NOW THE AUTHOR Dana Andrews has been a certified apps developer and tech researcher for more than 12 years Some of his how to guides have appeared in a handful of international journals and tech blogs He simply loves rabbits [Samsung Galaxy Tab S6 / S6 Lite User Guide for Beginners](#)

Mary C Hamilton,2020-10-05 Get the Samsung Galaxy Tab 6 and enjoy top notch productivity like never before With the Samsung Galaxy S6 you stand to enjoy high grade camera better processor to get you through rigorous tasks and the much talked about DEX mode More fun to use is the S pen for your galaxy tab With the S pen you can perform tasks easier and faster with your device placed in any comfortable position However this is not a sale out page for the Samsung Galaxy Tab S6 No You d be better off enlightened knowing how to use every feature of your device rather than just being aware of their existence This Samsung Galaxy S6 Manual from Mary C Hamilton teaches you a lot about your device Join her in just a single read as the tech guru explains in simple terms how to use the Tab S6 like a pro *Samsung Galaxy Book Flex User Manual*

Digital Insight,2020-01-22 A Quick and Easy Guide to Maximize the Samsung Galaxy Book FlexAre you looking for a user manual that will help you SETUP and Master your Samsung Galaxy Book Flex Are you looking for a manual that will expose you to all the amazing features of your device Then get your hands on this book and have an amazing time using your device The Galaxy Book Flex is clearly the star of the show here It s the first laptop to use Samsung s patented QLED display technology bringing its quantum dot goodness into the fold The Galaxy Book Flex can be used as both a notebook and a laptop courtesy of its versatile hinge While both the Flex and Ion come with 10th Gen Intel chips the Flex gets Ice Lake chips based on the newer 10nm architecture There are many other factors that make up the overall goodness of the device We got a chance at handling the device and we are presenting our User Guide to help you maximize your device This book is written in simple and clear terms with a step by step approach and with tips and tricks that will help you to master your Samsung Galaxy Book Flex within the shortest period of time Add this book to your library NOW **Samsung Galaxy Book Pro 360**

**User Manual** Jane Henderson,2021-05-26 Samsung Galaxy Book Book Pro and Book Pro 360 User Manual [Suzuki SJ Series & Vitara Owners Workshop Manual](#) Bob Henderson,A. K. Legg,1994 [Chilton Asian Service Manual](#) Chilton,2013  
Offers diagnosis and repair information for late model Hyundai Kia and Lexus automobiles

Thank you completely much for downloading **Samsung R610 Series Service Manual Repair Guide**. Most likely you have knowledge that, people have seen numerous times for their favorite books following this Samsung R610 Series Service Manual Repair Guide, but stop in the works in harmful downloads.

Rather than enjoying a fine PDF next to a cup of coffee in the afternoon, instead they juggled later than some harmful virus inside their computer. **Samsung R610 Series Service Manual Repair Guide** is clear in our digital library an online entrance to it is set as public suitably you can download it instantly. Our digital library saves in combination countries, allowing you to get the most less latency period to download any of our books subsequently this one. Merely said, the Samsung R610 Series Service Manual Repair Guide is universally compatible once any devices to read.

[https://crm.avenza.com/public/uploaded-files/index.jsp/polar\\_ft7\\_hrm\\_manual.pdf](https://crm.avenza.com/public/uploaded-files/index.jsp/polar_ft7_hrm_manual.pdf)

## **Table of Contents Samsung R610 Series Service Manual Repair Guide**

1. Understanding the eBook Samsung R610 Series Service Manual Repair Guide
  - The Rise of Digital Reading Samsung R610 Series Service Manual Repair Guide
  - Advantages of eBooks Over Traditional Books
2. Identifying Samsung R610 Series Service Manual Repair Guide
  - Exploring Different Genres
  - Considering Fiction vs. Non-Fiction
  - Determining Your Reading Goals
3. Choosing the Right eBook Platform
  - Popular eBook Platforms
  - Features to Look for in a Samsung R610 Series Service Manual Repair Guide
  - User-Friendly Interface
4. Exploring eBook Recommendations from Samsung R610 Series Service Manual Repair Guide
  - Personalized Recommendations
  - Samsung R610 Series Service Manual Repair Guide User Reviews and Ratings

- Samsung R610 Series Service Manual Repair Guide and Bestseller Lists
- 5. Accessing Samsung R610 Series Service Manual Repair Guide Free and Paid eBooks
  - Samsung R610 Series Service Manual Repair Guide Public Domain eBooks
  - Samsung R610 Series Service Manual Repair Guide eBook Subscription Services
  - Samsung R610 Series Service Manual Repair Guide Budget-Friendly Options
- 6. Navigating Samsung R610 Series Service Manual Repair Guide eBook Formats
  - ePub, PDF, MOBI, and More
  - Samsung R610 Series Service Manual Repair Guide Compatibility with Devices
  - Samsung R610 Series Service Manual Repair Guide Enhanced eBook Features
- 7. Enhancing Your Reading Experience
  - Adjustable Fonts and Text Sizes of Samsung R610 Series Service Manual Repair Guide
  - Highlighting and Note-Taking Samsung R610 Series Service Manual Repair Guide
  - Interactive Elements Samsung R610 Series Service Manual Repair Guide
- 8. Staying Engaged with Samsung R610 Series Service Manual Repair Guide
  - Joining Online Reading Communities
  - Participating in Virtual Book Clubs
  - Following Authors and Publishers Samsung R610 Series Service Manual Repair Guide
- 9. Balancing eBooks and Physical Books Samsung R610 Series Service Manual Repair Guide
  - Benefits of a Digital Library
  - Creating a Diverse Reading Collection Samsung R610 Series Service Manual Repair Guide
- 10. Overcoming Reading Challenges
  - Dealing with Digital Eye Strain
  - Minimizing Distractions
  - Managing Screen Time
- 11. Cultivating a Reading Routine Samsung R610 Series Service Manual Repair Guide
  - Setting Reading Goals Samsung R610 Series Service Manual Repair Guide
  - Carving Out Dedicated Reading Time
- 12. Sourcing Reliable Information of Samsung R610 Series Service Manual Repair Guide
  - Fact-Checking eBook Content of Samsung R610 Series Service Manual Repair Guide
  - Distinguishing Credible Sources

13. Promoting Lifelong Learning
  - Utilizing eBooks for Skill Development
  - Exploring Educational eBooks
14. Embracing eBook Trends
  - Integration of Multimedia Elements
  - Interactive and Gamified eBooks

### **Samsung R610 Series Service Manual Repair Guide Introduction**

Samsung R610 Series Service Manual Repair Guide Offers over 60,000 free eBooks, including many classics that are in the public domain. Open Library: Provides access to over 1 million free eBooks, including classic literature and contemporary works. Samsung R610 Series Service Manual Repair Guide Offers a vast collection of books, some of which are available for free as PDF downloads, particularly older books in the public domain. Samsung R610 Series Service Manual Repair Guide : This website hosts a vast collection of scientific articles, books, and textbooks. While it operates in a legal gray area due to copyright issues, its a popular resource for finding various publications. Internet Archive for Samsung R610 Series Service Manual Repair Guide : Has an extensive collection of digital content, including books, articles, videos, and more. It has a massive library of free downloadable books. Free-eBooks Samsung R610 Series Service Manual Repair Guide Offers a diverse range of free eBooks across various genres. Samsung R610 Series Service Manual Repair Guide Focuses mainly on educational books, textbooks, and business books. It offers free PDF downloads for educational purposes. Samsung R610 Series Service Manual Repair Guide Provides a large selection of free eBooks in different genres, which are available for download in various formats, including PDF. Finding specific Samsung R610 Series Service Manual Repair Guide, especially related to Samsung R610 Series Service Manual Repair Guide, might be challenging as theyre often artistic creations rather than practical blueprints. However, you can explore the following steps to search for or create your own Online Searches: Look for websites, forums, or blogs dedicated to Samsung R610 Series Service Manual Repair Guide, Sometimes enthusiasts share their designs or concepts in PDF format. Books and Magazines Some Samsung R610 Series Service Manual Repair Guide books or magazines might include. Look for these in online stores or libraries. Remember that while Samsung R610 Series Service Manual Repair Guide, sharing copyrighted material without permission is not legal. Always ensure youre either creating your own or obtaining them from legitimate sources that allow sharing and downloading. Library Check if your local library offers eBook lending services. Many libraries have digital catalogs where you can borrow Samsung R610 Series Service Manual Repair Guide eBooks for free, including popular titles. Online Retailers: Websites like Amazon, Google Books, or Apple Books often sell eBooks. Sometimes, authors or publishers offer promotions or free periods for certain

books. Authors Website Occasionally, authors provide excerpts or short stories for free on their websites. While this might not be the Samsung R610 Series Service Manual Repair Guide full book, it can give you a taste of the authors writing style. Subscription Services Platforms like Kindle Unlimited or Scribd offer subscription-based access to a wide range of Samsung R610 Series Service Manual Repair Guide eBooks, including some popular titles.

## **FAQs About Samsung R610 Series Service Manual Repair Guide Books**

**What is a Samsung R610 Series Service Manual Repair Guide PDF?** A PDF (Portable Document Format) is a file format developed by Adobe that preserves the layout and formatting of a document, regardless of the software, hardware, or operating system used to view or print it. **How do I create a Samsung R610 Series Service Manual Repair Guide PDF?** There are several ways to create a PDF: Use software like Adobe Acrobat, Microsoft Word, or Google Docs, which often have built-in PDF creation tools. Print to PDF: Many applications and operating systems have a "Print to PDF" option that allows you to save a document as a PDF file instead of printing it on paper. Online converters: There are various online tools that can convert different file types to PDF. **How do I edit a Samsung R610 Series Service Manual Repair Guide PDF?** Editing a PDF can be done with software like Adobe Acrobat, which allows direct editing of text, images, and other elements within the PDF. Some free tools, like PDFescape or Smallpdf, also offer basic editing capabilities. **How do I convert a Samsung R610 Series Service Manual Repair Guide PDF to another file format?** There are multiple ways to convert a PDF to another format: Use online converters like Smallpdf, Zamzar, or Adobe Acrobat's export feature to convert PDFs to formats like Word, Excel, JPEG, etc. Software like Adobe Acrobat, Microsoft Word, or other PDF editors may have options to export or save PDFs in different formats. **How do I password-protect a Samsung R610 Series Service Manual Repair Guide PDF?** Most PDF editing software allows you to add password protection. In Adobe Acrobat, for instance, you can go to "File" -> "Properties" -> "Security" to set a password to restrict access or editing capabilities. Are there any free alternatives to Adobe Acrobat for working with PDFs? Yes, there are many free alternatives for working with PDFs, such as: LibreOffice: Offers PDF editing features. PDFsam: Allows splitting, merging, and editing PDFs. Foxit Reader: Provides basic PDF viewing and editing capabilities. How do I compress a PDF file? You can use online tools like Smallpdf, I Love PDF, or desktop software like Adobe Acrobat to compress PDF files without significant quality loss. Compression reduces the file size, making it easier to share and download. Can I fill out forms in a PDF file? Yes, most PDF viewers/editors like Adobe Acrobat, Preview (on Mac), or various online tools allow you to fill out forms in PDF files by selecting text fields and entering information. Are there any restrictions when working with PDFs? Some PDFs might have restrictions set by their creator, such as password protection, editing restrictions, or print restrictions. Breaking these restrictions might require specific software or tools,



which may or may not be legal depending on the circumstances and local laws.

### **Find Samsung R610 Series Service Manual Repair Guide :**

**polar ft7 hrm manual**

[polar ownzone manual](#)

[pogil biology answer key immunity](#)

*poetry for learning disabilities*

[pogil answer key ap biology cellular respiration](#)

**polaris atv sportsman 500 efi 2008 service repair manual**

**poison en paradis**

**polaris 600 rr iq racer 2007 2008 workshop repair manual**

**poison ivy poison oak and poison sumac identification precautions eradication**

[pogil activities calculating ph answers](#)

**polaris atv sportsman 800 x2 efi 2008 factory service repair manual**

~~polaris 600 rmk 155 2012 service repair workshop manual~~

**pogil chemistry answer key naming molecular compounds**

**polaris 300 2x4 95 manual**

*polar mohr 115 cutter manual*

### **Samsung R610 Series Service Manual Repair Guide :**

[la pra c histoire de le bel blanche julio nicolas book](#) - Jan 08 2023

web la pra c histoire de le bel blanche julio nicolas practical warfare chapters on armies and navies in action classic reprint

feb 18 2022 excerpt from practical warfare

**la préhistoire le bel blanche julio nicolas amazon fr livres** - Aug 15 2023

web ce livre ludique très bien conçu permet aux plus jeunes d en savoir plus sur la période de la préhistoire et sur tous les mystères qu elle renferme un petit questionnaire instructif

[la pra c histoire de le bel blanche julio nicolas geminiano](#) - Oct 05 2022

web la pra c histoire de le bel blanche julio nicolas yeah reviewing a books la pra c histoire de le bel blanche julio nicolas could accumulate your near contacts listings

**la préhistoire blanche le bel nicolas julio 2755804548 cultura** - May 12 2023

web la préhistoire par blanche le bel nicolas julio aux éditions gisserot a lire avec les parents ou tout seul retrouve un drôle de questionnaire à la fin de chaque livre

*le père turc À la recherche de mustafa kemal* - Sep 23 2021

web apr 6 2018 le père turc est une bande dessinée singulière et intéressante de loulou dedola et lelio bonaccorso parue aux éditions glénat en mars 2018 un ouvrage qui

la préhistoire de le bel blanche julio nicolas 29 avril 2013 by - Feb 26 2022

web la préhistoire de le bel blanche julio nicolas 29 avril 2013 by julio nicolas le bel blanche cotignac visitez ce village typique de la provence verte plan barcelonnette

*la préhistoire de le bel blanche julio nicolas 29 avril 2013 by* - Apr 30 2022

web la préhistoire de le bel blanche julio nicolas 29 avril 2013 by julio nicolas le bel blanche may 4th 2020 le volume 1 de cette collection pendant historique de la série il

la préhistoire de le bel blanche julio nicolas 29 avril 2013 by - Jul 02 2022

web la préhistoire de le bel blanche julio nicolas 29 avril 2013 by julio nicolas le bel blanche certes vieilli mais reste la seule entrée vidéo que j ai pu trouver à proposer à

**la préhistoire de le bel blanche julio nicolas 29 avril 2013 by** - Mar 30 2022

web la préhistoire de le bel blanche julio nicolas 29 avril 2013 by julio nicolas le bel blanche april 29th 2020 histoire captivante du début jusqu à la fin le genre de livre

le père turc redécouvrir mustafa kemal atatürk - Aug 03 2022

web mar 12 2018 la turquie d erdogan ce n est pas celle d atatürk dans le père turc de loulou dedola jeu d ombres et lelio bonaccorso au dessin c est à la recherche de

**la pra c histoire de le bel blanche julio nicolas pdf 198 58 106** - Nov 06 2022

web la pra c histoire de le bel blanche julio nicolas 2 4 downloaded from 198 58 106 42 on december 16 2022 by guest manual of universal church history johannes baptist

**la préhistoire blanche le bel nicolas julio librairie eyrolles** - Mar 10 2023

web résumé je découvre la préhistoire en m amusant a lire avec les parents ou tout seul retrouve un drôle de questionnaire à la fin du livre a partir de 5 ans l auteur

*la préhistoire de le bel blanche julio nicolas 29 avril 2013 by* - Dec 27 2021

web la préhistoire de le bel blanche julio nicolas 29 avril 2013 by julio nicolas le bel blanche pra devant le praz de devant un pré pour les vaches à lait bien sûr et du lait

[la préhistoire de le bel blanche julio nicolas 29 avril 2013](#) - Jun 13 2023

web la préhistoire de le bel blanche julio nicolas 29 avril 2013 on amazon com free shipping on qualifying offers la préhistoire de le bel blanche julio nicolas

**la pra c histoire de le bel blanche julio nicolas pdf** - Dec 07 2022

web la pra c histoire de le bel blanche julio nicolas 1 1 downloaded from uniport edu ng on april 28 2023 by guest la pra c histoire de le bel blanche julio nicolas yeah

[le père turc loulou dedola lelio bonaccorso télérama](#) - Sep 04 2022

web may 23 2018 que reste t il d atatürk quatre vingts ans tout juste après sa mort mustafa kemal 1881 1938 le fondateur de la turquie moderne le promoteur infatigable de la

**la préhistoire de le bel blanche julio nicolas 29 avril 2013 by** - Jul 14 2023

web la préhistoire de le bel blanche julio nicolas 29 avril 2013 by julio nicolas le bel blanche elle attend quand même elle voit un oiseau blanc se poser près d elle qui

**la pra c histoire de le bel blanche julio nicolas pdf** - Feb 09 2023

web la pra c histoire de le bel blanche julio nicolas woman in all ages and in all countries women of madaieval france by p butler may 26 2022 lives of the queens

**la préhistoire de le bel blanche julio nicolas 29 avril 2013 by** - Jan 28 2022

web april 29th 2020 histoire captivante du début jusqu à la fin le genre de livre qu on dévore en un temps record du musso tout craché par contre en parlant de l écrivain j avoue

[blanche le bel nicolas julio la préhistoire histoire](#) - Apr 11 2023

web trouver une succursale heures d ouverture activités en magasin coordonnées du services aux institutions english panier 99 rechercher select recherche avancée

[la préhistoire de le bel blanche julio nicolas 29 avril 2013 by](#) - Jun 01 2022

web 1975 une belle surprise avis de voyageurs sur le pra de p 16 9 la voix dans l histoire de la musique pra loup en provence alpes cte d azur visite infos philosophie du foot la

[la préhistoire de le bel blanche julio nicolas 29 avril 2013 by](#) - Oct 25 2021

web la préhistoire de le bel blanche julio nicolas 29 avril 2013 by julio nicolas le bel blanche elle est située dans le département des alpes de haute provence à 7 km de

[la préhistoire de le bel blanche julio nicolas 29 avril 2013 by](#) - Nov 25 2021

web la préhistoire de le bel blanche julio nicolas 29 avril 2013 by julio nicolas le bel blanche le barrois cosmovisions april 29th 2020 a cette époque henri iii te de bar s

**ph activity alien juice bar weebly** - Sep 05 2023

web answer key key to frog dissection unit a test audio version unit b test link to alien juice bar alienjuicebar pdf file size 195 kb file type pdf download file powered by create your own unique website with customizable templates get started

**alien juice bar worksheets learny kids** - Sep 24 2022

web alien juice bar worksheets total of 8 printable worksheets available for this concept worksheets are acids bases alien juice bar answers gems ali

*aliens middle school science blog alien juice bar virtual lab* - Nov 26 2022

web group will continue working their way through the key using the creature s characteristics up the have narrowed it down to only one conceivable answering once people determine the creature s scientific name they place the 1 next to the scientific name optional they able spell the name from the creature beneath the slide to the

aliens middle school science blog alien juice bar cabbage juice - May 01 2023

web how to use the key students will commence because creature 1 the work their way through the keyboard until it shall been identified launch with 1a furthermore 1b students will determine if an creature has the trait yes or can not have the trait no and follow the instructions stated go detect their then step

**alien juice bar worksheet** - Apr 19 2022

web jun 13 2023 some of the worksheets displayed are alien juice bar answer alien juice bar answers key gems web the trick is that the juice bar is stocked with household solutions like lemon juice and liquid soap

alien juice bar activity online lesson on acids bases for tpt - Jan 29 2023

web it includes the web address for the activity a student handout and an answer key bonus the website has sound so students can hear the cabbage being blended into juice the liquids being poured and the alien s response to their drink

*alien juice bar worksheet* - Mar 19 2022

web jun 17 2023 worksheets are alien juice bar answer alien juice bar a some of the worksheets displayed are alien juice bar answer alien juice bar answers key gems click on the pitcher of purple cabbage juice and drag towards one of the three drinks some of the worksheets displayed are acids bases alien juice bar answers

**alien juice bar online ph activity pdf drink ph scribd** - Jul 03 2023

web challenge 1 alien juice bar click on challenge 1 then start click on the pitcher of purple cabbage juice and drag towards one of the three drinks pour the cabbage juice to indicate if it is acidic basic or a neutral drink place the drinks onto the correct shelf above the alien s head according to its ph

aliens middle school science blog alien juice bar activity - Aug 24 2022

web how in use the key students will start with creature 1 and work their way through the key until it has been identified

begin with 1a and 1b students will decide if the creature has the trait yes press does not have the trait no and obey the instructions stated the determined their next step

**alien juice bar worksheet answer key pdf experiment scribd** - Oct 06 2023

web alien juice bar worksheet answer key free download as word doc doc pdf file pdf text file txt or read online for free answer key for assignment

**aliens middle school science blog gems alien juice bar** - May 21 2022

web answer key alien classification creepy critters and with external cards updated 8 3 18 no longer posted on their website click here to download original lesson plan creepy critters pdf brainpop classification video dichotomous central tutorial video how at use the keypad

**gems alien juice bar clickable interactive by the lesson** - Jul 23 2022

web revive the magical of learning with external juice bar an unforgettable acids and bases adventure calling all natural teachers who felt the pain of loss once glint became history we get the heartbreak of losing cherished activities especially the symbolic gems external juice bar

gems alien juice bar clickable interactive classful alien juice bar - Jun 21 2022

web edelstein alien juice bar clickable interactive click home 65 pages subject science biology general languages language grades 5th 6th 7th 8th 9th 10th 11th 12th human type fun games interactives product digital description iodine know i can't be the only science teacher that were devastated by an death about flash

**alien juice bar activity online lesson on acids bases for** - Feb 15 2022

web warn this product requires flash and therefore will not work unless yours follow these instructions on anything device 1 on your device go to ruffle rs 2 scroll down the page until you see nightly builds 3 click upon the link to your navigator example if you re using google chrome cli

alien juice bar worksheets teacher worksheets - Mar 31 2023

web showing top 8 worksheets in the category alien juice bar some of the worksheets displayed are acids bases alien juice bar answers gems alien juice bar activity answers alien taxonomy answer key top epub 2020 antigone packet answer key presented by tracy tomm acids and bases webquest parallel structure exercise 6

gems alien juice bar worksheets teacher worksheets - Oct 26 2022

web some of the worksheets displayed are alien juice bar answer alien juice bar answers key gems alien juice bar activity gems alien juice bar activity answer key gems alien juice bar activity alien juice bar answer acid base titration lab flinn scientific answers acids and bases webquest

**alien juice bar cabbage juice and ph values middle school** - Feb 27 2023

web mar 5 2015 alien juice bar cabbage juice and ph values march 5 2015 march 4 2018 liz belasic this classic interactive site is a outstanding way to procedure identifying acidic basic and neutral substances along with reading ph values

**virtual lab alien juice bar mrs gillums science com** - Aug 04 2023

web challenge 1 alien juice bar 1 click on challenge 1 then start 2 answer the question in the box à 3 click on the pitcher of cabbage juice drag towards one of the three drinks the cabbage juice will pour into a beaker may or may not change color continue until all three drinks have been poured 4

**welcome to gems alien juice bar lawrence hall of science** - Jun 02 2023

web welcome to gems alien juice bar lhs interactive activity showcase see gems website don t see the activity click here this activity is based on the acids and aliens activity from the book of cabbages and chemistry published by great explorations in math and science gems

gems alien juice bar worksheets kiddy math - Dec 28 2022

web displaying 8 worksheets for gems alien juice bar worksheets are alien juice bar answer alien juice bar answers key gems alien juice bar activity g

**commentaries on the laws of england in four books** - Jan 24 2023

vol 1 of blackstone s commentaries on the laws of england rights of persons based on the first edition together with the most material corrections and additions in the second edition

**commentaries on the laws of england wikisource** - Nov 21 2022

jan 9 2014 even today the u s supreme court frequently cites blackstone when interpreting the constitution book 1 of blackstone s commentaries looks at the rights of people

oxford edition of blackstone commentaries on the laws of - Aug 19 2022

blackstone s commentaries a series of lectures delivered by the english jurist sir william blackstone at oxford in 1753 and published as commentaries on the laws of england in

**commentaries on the laws of england vol 1 rights of persons** - Sep 19 2022

commentaries on the laws of england a facsimile of the first edition of 1765 1769 vol 1 william blackstone 4 06 81 ratings6 reviews sir william blackstone s commentaries on the

**blackstone s commentaries on the laws of england** - Feb 22 2023

his most influential work the commentaries on the laws of england was published between 1765 and 1769 and consisted of four books of the rights of persons dealt with family and

commentaries on the laws of england book 2 of the rights of - Jan 12 2022

**the online library of liberty** - Oct 01 2023

commentaries on the laws of england vol 1 the rights of persons 1765 and vol 2 the rights of things 1766 sir william blackstone 1765 and 1766 summary

*commentaries on the laws of england volume 1 the* - May 28 2023

blackstone s commentaries on the laws of england book the first chapter the first of the absolute rights of individuals blackstone contents p 116 p 117 commentaries on

**blackstone s commentaries on the laws of england lonang** - Dec 23 2022

the oxford edition of blackstone commentaries on the laws of england vol 1 of the rights of persons david lemmings ed publisher oxford university press the oxford edition of

commentaries on the laws of england vol 1 the rights of - Jul 30 2023

university of chicago press nov 15 1979 law 495 pages sir william blackstone s commentaries on the laws of england 1765 1769 stands as the first great effort to reduce

commentaries on the laws of england a facsimile of - Mar 14 2022

commentaries on the laws of england - Feb 10 2022

**william blackstone commentaries on the laws of england vol 1** - May 16 2022

*commentaries on the laws of england a facsimile of the* - Apr 14 2022

**commentaries on the laws of england volume i** - Aug 31 2023

the rights of persons is the first volume in the four part series that is the commentaries divided into 18 chapters it is largely concerned with the rights of individuals the rights of parliament the rights and title of the king the royal family the councils belonging to the king kingly duties the royal prerogative the king s revenue subordinate magistrates the people aliens denizens and natives the rights of the clergy the civil state the military and maritime states the relationship

**commentaries on the laws of england wikipedia** - Jun 28 2023

section the first on the study of law section the second of the nature of laws in general section the third of the laws of england section the fourth of the countries subject to

*commentaries on the laws of england volume 1* - Apr 26 2023

sect 1 on the study of the law sect 2 of the nature of laws in general sect 3 of the laws of england sect 4 of the countries

subject to the laws of england book 1 rights of  
*commentaries on the laws of england book 1 the rights of* - Jun 16 2022  
commentary 1 this provision defining the scope of the present 46 hackworth s digest of international law vol iv p 467 47 1962  
and 5 drafts article 6 britain s right to regulate  
*draft articles on the law of treaties with commentaries 1966* - Dec 11 2021

**commentaries on the laws of england vol 1 rights** - Jul 18 2022

dec 7 2022 volume 90 1 01 chapter 1 of property in general part 1 17 34 2 02 chapter 1 of property in general part 2 19 08  
3 03 chapter 2 of real property and first of

*commentaries on the laws of england work by blackstone* - Oct 21 2022

1 excerpt william blackstone commentaries on the laws of england vol 1 oxford clarendon press 1765 facsimile version legal  
classics library 1983 some have divided the common

**blackstone s commentaries on the laws of england** - Mar 26 2023

apr 24 2021 blackstone s commentaries were long regarded as the leading work on the development of english law and  
played a role in the development of the american legal