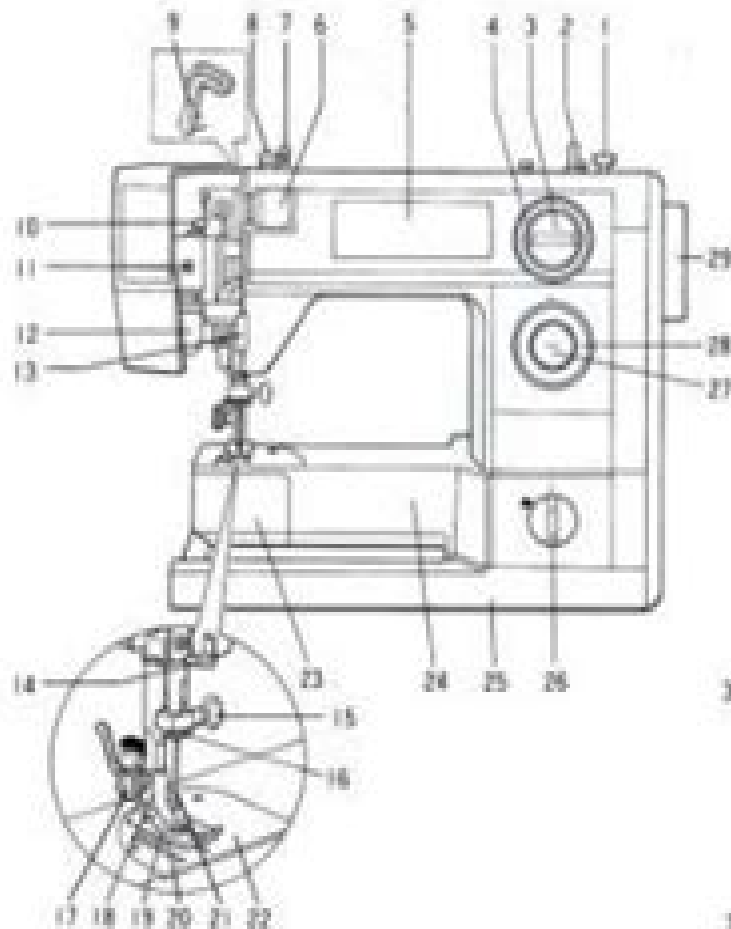


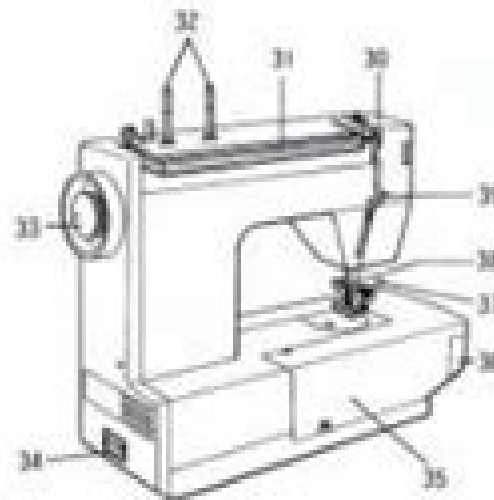
MODEL 575 FA

NAMES OF PARTS



1. Bobbin Winder Stop
2. Bobbin Winder Spindle
3. Stitch Width Knob
4. Pattern Selector Knob
5. Pattern Chart
6. Thread Tension Dial
7. Arm Cover Thread Guide
8. Bobbin Winder Tension Dial
9. Thread Take-Up Lever
10. Pressure Regulator

11. Sewing Light Switch
12. Sewing Light Bulb
13. Thread Check Spring
14. Lower Thread Guide
15. Needle Clamp Screw
16. Needle Bar Thread Guide
17. Presser Foot Thumb Screw
18. Presser Foot Holder
19. Presser Foot
20. Fabric Feed Dogs
21. Needle
22. Needle Plate
23. Bobbin Case Cover
24. Free Arm
25. Measure
26. Drop-Food Knob
27. Reverse Stitch Button
28. Stitch Length Knob
29. Hand Wheel
30. Rear Thread Guide
31. Handle
32. Spool Pins
33. Stop Motion Knob
34. Terminal Box
35. Extension Plate
36. Drawer
37. Presser Foot Release Lever
38. Thread Cutter
39. Presser Foot Lifter



Necchi Sewing Machine Manual 575fa

Necchi S.p.A.



Necchi Sewing Machine Manual 575fa:

Instruction Manual for Sewing Machine Necchi S.p.A.,2006 **Student's Manual of Machine Sewing** Singer Sewing Machine Company,1941 **Singer 4452 Heavy Duty Sewing Machine Instruction Manual** Taylor J Monroe,2025-08-04

NOTE This book is a practical user guide created for educational purposes only It is independently authored and not sponsored endorsed or approved by Singer Sewing Company Whether you re a seasoned seamstress or a beginner just starting your sewing journey the Singer 4452 Heavy Duty Sewing Machine Instruction Manual is your ultimate guide to mastering one of the most reliable and robust sewing machines on the market This comprehensive guide is designed to help you get the most out of your Singer 4452 ensuring you have the knowledge and confidence to tackle any project no matter your skill level Why This Guide is Important Sewing with the Singer 4452 can be incredibly rewarding but it s only when you fully understand how to set up troubleshoot and optimize the machine that you can truly unlock its potential Many users struggle with basic setup making common mistakes that could easily be avoided with the right guidance This book eliminates confusion and empowers you to sew with confidence From setting up your machine to advanced techniques every chapter is packed with valuable information that ensures you get the results you re looking for The guide not only walks you through the setup process but also provides troubleshooting tips pro techniques and creative project ideas making it an invaluable resource for any sewing enthusiast What s Inside the Book Comprehensive Setup Instructions Step by step guidance on how to unbox assemble and thread your machine ensuring you re up and running in no time Pro Tips Expert advice to help you sew faster more accurately and with less frustration Learn how to handle heavy fabrics improve stitch quality and optimize your machine s settings for every project Troubleshooting Detailed solutions to the most common problems including skipped stitches thread tangles and tension issues Get your machine back on track with ease Advanced Techniques Take your sewing skills to the next level by mastering advanced techniques like quilting creating custom buttonholes and working with specialty fabrics like denim and leather Project Ideas Inspiration for your next project whether you re looking to make clothing home d cor or accessories Every technique you learn can be applied to real world projects bringing your creative ideas to life Clear Helpful Images Inside the book you ll find helpful images that illustrate the setup process maintenance steps and sewing techniques making it easy to follow along and execute tasks without confusion Who is This Guide For Beginners If you re new to sewing this guide breaks down the process into manageable steps from setting up your machine to mastering basic stitches It s written in a clear accessible way so you won t feel overwhelmed as you learn Intermediate Sewers For those with a bit of experience this book offers valuable tips to fine tune your technique speed up your sewing process and solve common issues that can disrupt your workflow Experienced Users Even seasoned seamstresses will find pro tips advanced sewing techniques and creative project ideas to help elevate their craft There s always something new to learn no matter how long you ve been sewing Perfect for sharing with friends family or anyone you

know who owns or is considering the Singer 4452 Stock up now and make sewing easier more enjoyable and even more rewarding for yourself and others Grab your copy now and start sewing with confidence **The Sewing Machine Manual**
WENDY. GARDINER,2023-07-13 **A Manual of Family Sewing Machines and Their Attachments** Singer Sewing
Machine Co. Ltd, **Machine Sewing** Singer Sewing Machine Company,1948 [A Manual of Family Sewing Machines](#)
Singer Sewing Machine Co.Ltd, **A Manual of Family Sewing Machines** Singer Sewing Machine Company,1926 **A**
Manual of Family Sewing Machines and Their Attachments Singer Sewing Machine Company,1945 **Manual of**
Family Sewing Machines and Their Attachments MANUAL.,1963

Embracing the Track of Term: An Psychological Symphony within **Necchi Sewing Machine Manual 575fa**

In some sort of consumed by monitors and the ceaseless chatter of fast transmission, the melodic beauty and psychological symphony created by the prepared word usually fade in to the backdrop, eclipsed by the persistent sound and disturbances that permeate our lives. But, located within the pages of **Necchi Sewing Machine Manual 575fa** a stunning fictional value filled with raw feelings, lies an immersive symphony waiting to be embraced. Crafted by a wonderful musician of language, that interesting masterpiece conducts viewers on an emotional journey, skillfully unraveling the concealed tunes and profound impact resonating within each cautiously crafted phrase. Within the depths of the touching analysis, we can examine the book is main harmonies, analyze its enthralling writing design, and submit ourselves to the profound resonance that echoes in the depths of readers souls.

https://crm.avenza.com/book/publication/Download_PDFS/Plant_Diversity_Review_Answers.pdf

Table of Contents Necchi Sewing Machine Manual 575fa

1. Understanding the eBook Necchi Sewing Machine Manual 575fa
 - The Rise of Digital Reading Necchi Sewing Machine Manual 575fa
 - Advantages of eBooks Over Traditional Books
2. Identifying Necchi Sewing Machine Manual 575fa
 - Exploring Different Genres
 - Considering Fiction vs. Non-Fiction
 - Determining Your Reading Goals
3. Choosing the Right eBook Platform
 - Popular eBook Platforms
 - Features to Look for in an Necchi Sewing Machine Manual 575fa
 - User-Friendly Interface
4. Exploring eBook Recommendations from Necchi Sewing Machine Manual 575fa
 - Personalized Recommendations

- Necchi Sewing Machine Manual 575fa User Reviews and Ratings
- Necchi Sewing Machine Manual 575fa and Bestseller Lists
- 5. Accessing Necchi Sewing Machine Manual 575fa Free and Paid eBooks
 - Necchi Sewing Machine Manual 575fa Public Domain eBooks
 - Necchi Sewing Machine Manual 575fa eBook Subscription Services
 - Necchi Sewing Machine Manual 575fa Budget-Friendly Options
- 6. Navigating Necchi Sewing Machine Manual 575fa eBook Formats
 - ePub, PDF, MOBI, and More
 - Necchi Sewing Machine Manual 575fa Compatibility with Devices
 - Necchi Sewing Machine Manual 575fa Enhanced eBook Features
- 7. Enhancing Your Reading Experience
 - Adjustable Fonts and Text Sizes of Necchi Sewing Machine Manual 575fa
 - Highlighting and Note-Taking Necchi Sewing Machine Manual 575fa
 - Interactive Elements Necchi Sewing Machine Manual 575fa
- 8. Staying Engaged with Necchi Sewing Machine Manual 575fa
 - Joining Online Reading Communities
 - Participating in Virtual Book Clubs
 - Following Authors and Publishers Necchi Sewing Machine Manual 575fa
- 9. Balancing eBooks and Physical Books Necchi Sewing Machine Manual 575fa
 - Benefits of a Digital Library
 - Creating a Diverse Reading Collection Necchi Sewing Machine Manual 575fa
- 10. Overcoming Reading Challenges
 - Dealing with Digital Eye Strain
 - Minimizing Distractions
 - Managing Screen Time
- 11. Cultivating a Reading Routine Necchi Sewing Machine Manual 575fa
 - Setting Reading Goals Necchi Sewing Machine Manual 575fa
 - Carving Out Dedicated Reading Time
- 12. Sourcing Reliable Information of Necchi Sewing Machine Manual 575fa
 - Fact-Checking eBook Content of Necchi Sewing Machine Manual 575fa

- Distinguishing Credible Sources
- 13. Promoting Lifelong Learning
 - Utilizing eBooks for Skill Development
 - Exploring Educational eBooks
- 14. Embracing eBook Trends
 - Integration of Multimedia Elements
 - Interactive and Gamified eBooks

Necchi Sewing Machine Manual 575fa Introduction

In this digital age, the convenience of accessing information at our fingertips has become a necessity. Whether its research papers, eBooks, or user manuals, PDF files have become the preferred format for sharing and reading documents. However, the cost associated with purchasing PDF files can sometimes be a barrier for many individuals and organizations. Thankfully, there are numerous websites and platforms that allow users to download free PDF files legally. In this article, we will explore some of the best platforms to download free PDFs. One of the most popular platforms to download free PDF files is Project Gutenberg. This online library offers over 60,000 free eBooks that are in the public domain. From classic literature to historical documents, Project Gutenberg provides a wide range of PDF files that can be downloaded and enjoyed on various devices. The website is user-friendly and allows users to search for specific titles or browse through different categories. Another reliable platform for downloading Necchi Sewing Machine Manual 575fa free PDF files is Open Library. With its vast collection of over 1 million eBooks, Open Library has something for every reader. The website offers a seamless experience by providing options to borrow or download PDF files. Users simply need to create a free account to access this treasure trove of knowledge. Open Library also allows users to contribute by uploading and sharing their own PDF files, making it a collaborative platform for book enthusiasts. For those interested in academic resources, there are websites dedicated to providing free PDFs of research papers and scientific articles. One such website is Academia.edu, which allows researchers and scholars to share their work with a global audience. Users can download PDF files of research papers, theses, and dissertations covering a wide range of subjects. Academia.edu also provides a platform for discussions and networking within the academic community. When it comes to downloading Necchi Sewing Machine Manual 575fa free PDF files of magazines, brochures, and catalogs, Issuu is a popular choice. This digital publishing platform hosts a vast collection of publications from around the world. Users can search for specific titles or explore various categories and genres. Issuu offers a seamless reading experience with its user-friendly interface and allows users to download PDF files for offline reading. Apart from dedicated platforms, search engines also play a crucial role in finding free PDF files. Google, for instance, has an advanced

search feature that allows users to filter results by file type. By specifying the file type as "PDF," users can find websites that offer free PDF downloads on a specific topic. While downloading Necchi Sewing Machine Manual 575fa free PDF files is convenient, it's important to note that copyright laws must be respected. Always ensure that the PDF files you download are legally available for free. Many authors and publishers voluntarily provide free PDF versions of their work, but it's essential to be cautious and verify the authenticity of the source before downloading Necchi Sewing Machine Manual 575fa. In conclusion, the internet offers numerous platforms and websites that allow users to download free PDF files legally. Whether it's classic literature, research papers, or magazines, there is something for everyone. The platforms mentioned in this article, such as Project Gutenberg, Open Library, Academia.edu, and Issuu, provide access to a vast collection of PDF files. However, users should always be cautious and verify the legality of the source before downloading Necchi Sewing Machine Manual 575fa any PDF files. With these platforms, the world of PDF downloads is just a click away.

FAQs About Necchi Sewing Machine Manual 575fa Books

1. Where can I buy Necchi Sewing Machine Manual 575fa books? Bookstores: Physical bookstores like Barnes & Noble, Waterstones, and independent local stores. Online Retailers: Amazon, Book Depository, and various online bookstores offer a wide range of books in physical and digital formats.
2. What are the different book formats available? Hardcover: Sturdy and durable, usually more expensive. Paperback: Cheaper, lighter, and more portable than hardcovers. E-books: Digital books available for e-readers like Kindle or software like Apple Books, Kindle, and Google Play Books.
3. How do I choose a Necchi Sewing Machine Manual 575fa book to read? Genres: Consider the genre you enjoy (fiction, non-fiction, mystery, sci-fi, etc.). Recommendations: Ask friends, join book clubs, or explore online reviews and recommendations. Author: If you like a particular author, you might enjoy more of their work.
4. How do I take care of Necchi Sewing Machine Manual 575fa books? Storage: Keep them away from direct sunlight and in a dry environment. Handling: Avoid folding pages, use bookmarks, and handle them with clean hands. Cleaning: Gently dust the covers and pages occasionally.
5. Can I borrow books without buying them? Public Libraries: Local libraries offer a wide range of books for borrowing. Book Swaps: Community book exchanges or online platforms where people exchange books.
6. How can I track my reading progress or manage my book collection? Book Tracking Apps: Goodreads, LibraryThing, and Book Catalogue are popular apps for tracking your reading progress and managing book collections. Spreadsheets:

You can create your own spreadsheet to track books read, ratings, and other details.

7. What are Necchi Sewing Machine Manual 575fa audiobooks, and where can I find them? Audiobooks: Audio recordings of books, perfect for listening while commuting or multitasking. Platforms: Audible, LibriVox, and Google Play Books offer a wide selection of audiobooks.
8. How do I support authors or the book industry? Buy Books: Purchase books from authors or independent bookstores. Reviews: Leave reviews on platforms like Goodreads or Amazon. Promotion: Share your favorite books on social media or recommend them to friends.
9. Are there book clubs or reading communities I can join? Local Clubs: Check for local book clubs in libraries or community centers. Online Communities: Platforms like Goodreads have virtual book clubs and discussion groups.
10. Can I read Necchi Sewing Machine Manual 575fa books for free? Public Domain Books: Many classic books are available for free as they're in the public domain. Free E-books: Some websites offer free e-books legally, like Project Gutenberg or Open Library.

Find Necchi Sewing Machine Manual 575fa :

[plant diversity review answers](#)

[pixl club session 10](#)

[pizza bones emergence of a killer book one](#)

[plantronics 220 bluetooth user guide](#)

[plasma tv repair manual](#)

pixl maths papers 24

plantronics cs55 headset manual

pl sql documentation

[plant tropisms concept map answers](#)

[platers theory n2 paper 2014](#)

[plant operation manual](#)

pit and the pendulum study guide answers

pivottable sav customize template report

[platinum teachers guide gr 5 english](#)

[plastic surgery surgery mcq](#)

Necchi Sewing Machine Manual 575fa :

[macroeconomics theory jhingan english paperback jhingan](#) - Jan 07 2023

web description macroeconomics theory by author m l jhingan is an essential textbook that discusses various concepts of macroeconomics in a thorough and easily

microeconomics 8th edition by m l jhingan b k jhingan - Nov 24 2021

web m l jhingan is the author of the economics of development planning 3 84 avg rating 263 ratings 22 reviews published 2014 macroeconomic theory 3

m l jhingan the economics of development and pl - Apr 29 2022

web microeconomic theory pdf by ml jhingan can be used to learn microeconomic theory economic theory microeconomics macroeconomics economic statics economic

macroeconomics theory by jhingan university of port harcourt - Feb 25 2022

web this book provides a comprehensive coverage of the origin and development of economic thought from the ancient times to the present day it documents the contributions of

books by m l jhingan goodreads - Apr 10 2023

web m l jhingan has 24 books on goodreads with 7669 ratings m l jhingan s most popular book is the economics of development planning

advanced economic theory micro and macroeconomics m l - May 11 2023

web advanced economic theory micro and macroeconomics author m l jhingan edition 5 illustrated publisher vikas 1982 isbn 0706913957 9780706913958 length 741

[macroeconomics by jhingan](#) - Dec 26 2021

web microeconomics 8th edition by m l jhingan b k jhingan 9788182815629 395 00 336 00 15 off add rs 65 for pan india delivery normal delivery regd post 7 14

advanced economic theory micro and macroeconomics by m - Nov 05 2022

web apr 30 2011 advanced economic theory micro and macroeconomics by m l jhingan 1982 vikas pub house advent books distributor edition in english 5th rev

macroeconomic theory by m l jhingan goodreads - Dec 06 2022

web jan 1 1989 great book of ml jhingan easy to understand latest edition of macro economic theory 13 edition with more knowledge more understandable good for

advanced economic theory micro and macroeconomics by - Jul 01 2022

web read 4 reviews from the world s largest community for readers the book discusses the concepts and theories relating to

micro and macro economics at an adv

[macroeconomic theory m l jhingan google books](#) - Jul 13 2023

web macroeconomic theory author m l jhingan edition 11 publisher vrinda publications p limited 2003 isbn 8187125454 9788187125457

macro economic theory 12th edition by ml jhingan pdf - Aug 14 2023

web ml jhingan macro economic theory 12th edition pdf was published in 2010 and uploaded for 300 level administration social and management science students of national open

macroeconomics theory by jhingan university of port harcourt - Jan 27 2022

web it will unquestionably squander the time however below like you visit this web page it will be correspondingly extremely easy to acquire as well as download lead

[microeconomic theory by ml jhingan pdf download 5163](#) - Mar 29 2022

web macroeconomics theory by jhingan right here we have countless ebook macroeconomics theory by jhingan and collections to check out we additionally

[amazon in m l jhingan books](#) - Feb 08 2023

web jan 1 2016 macro economic theory 13 e pb jhingan m l by jhingan m l 1 january 2016 127 unknown binding 410 m r p 495 17 off get it monday 28 august

macro economic theory 13 e pb jhingan m l - Jun 12 2023

web unknown binding 554 pages isbn 10 9788182815612 isbn 13 978 8182815612 item weight 1 kg dimensions 20 x 14 x 4 cm country of origin india best

macro economic theory m l jhingan google books - Sep 22 2021

download macroeconomics by ml jhingan pdf - Oct 04 2022

web macroeconomics by ml jhingan download macroeconomics by ml jhingan pdf found 35 pdf ebooks unit v m l jhingan macro economic theory p 637 668

m l jhingan b k jhingan vrinda publisher pragationline - May 31 2022

web 554 language english publishing year 2022 email on info pragationline com if e book is not found sku bs02751 categories business banking economics books

macro economic theory 12th edition by m l jhingan part 1 2 - Aug 02 2022

web macro economic theory 12th edition by m l jhingan part 1 2 book code language type category sub category format author me 2444 english education ba

download macroeconomics by m l jhingan pdf - Sep 03 2022

web economics of development and planning m l jhingan 1967 open economy macroeconomics and the international monetary system the text uniquely employs

m l jhingan author of the economics of development planning - Oct 24 2021

web m l jhingan vikas publishing house private limited 1984 625 pages references to this book strategy for political stability uchenna nwankwo snippet view 1988 nigerian

m l jhingan open library - Mar 09 2023

web aug 29 2008 author of the economics of development and planning advanced economic theory macroeconomic theory advanced economic theory micro and

talk that talk wikipedia - Jan 29 2022

web talk that talk è il sesto album in studio della cantante barbadiana rihanna pubblicato il 18 novembre 2011 dall'etichetta discografica Def Jam Recordings dall'album sono stati estratti sei singoli il fortunato We Found Love pubblicato il 22 settembre che ha raggiunto la vetta delle classifiche in quindici paesi you da one l'omonimo talk that talk pubblicato

twice talk that talk performance video youtube - Jul 15 2023




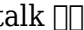

web aug 30 2022 twice talk that talk performance video twice 11th mini album between 1 2 listen between 1 2 here twice lnk to between1and2 twice official shop twice lnk to shop twice

talk that talk by rihanna on apple music - May 13 2023

web listen to talk that talk by rihanna on apple music stream songs including you da one where have you been and more talk that music talk barnes bruce sunpie breunlin rachel - Sep 05 2022

web dec 29 2014 hardcover 29 13 6 used from 11 39 5 new from 25 00 learning to play by ear is a unique part of becoming a musician in new orleans this life history and photography project explores the traditional methods of teaching brass band music in the city that gave birth to jazz

talk that talk twice  **music bank kbs world** - Dec 08 2022

web aug 26 2022 talkthattalk twice musicbank   wonyoung sunghoon twice  talkthattalk  

talk that talk twice easy ver sheet music for piano solo - Jul 03 2022

web sep 11 2022 download and print in pdf or midi free sheet music for talk that talk by twice arranged by taekook music for piano solo talk that talk twice easy ver sheet music for piano solo musescore.com

talk that talk wikipedia - Feb 10 2023

web music and lyrics talk that talk is a danceable pop r b crossover album comprising uptempo club tracks raunchy pop

songs and mid tempo inspirational ballads it also incorporates elements of dancehall hip hop and house most of the songs feature heavy bass and coarse sounds including electro beats and imposing synthesizers

[twice talk that talk lyrics genius lyrics](#) - Jun 14 2023

web aug 26 2022 talk that talk twice track 1 on between 1 2 talk that talk portrays twice singing to an upbeat synth pop melody whilst the song lyrics express the feeling to know what s on your

rihanna talk that talk lyrics genius lyrics - Oct 06 2022

web jan 17 2012 talk that talk lyrics oh oh oh oh oh oh oh oh talk that talk to me yeah oh oh oh oh oh oh oh oh talk that talk to me yeah uh i be tryna chill bitches wanna fuck me every little

[director host sam jones filming new talent show talk music](#) - Dec 28 2021

web sep 17 2023 director host sam jones filming new talent show talk music series at hotel cafe with michael shannon stepping up to sing this weekend director sam jones won plaudits earlier this year for

talk that song and lyrics by the music genius spotify - Mar 31 2022

web listen to talk that on spotify the music genius song 2021 listen to talk that on spotify the music genius song 2021 sign up log in home search your library create your first playlist it s easy we ll help you create playlist let s find some podcasts to follow we ll keep you updated on new episodes

talk that talk twice shazam - Aug 04 2022

web listen to talk that talk by twice 301 543 shazams featuring on twice essentials and k pop hits 2022 apple music playlists

[talk that talk youtube music](#) - May 01 2022

web provided to youtube by spy music group inc talk that talk jackie wilson 20 greatest hits 2002 brunswick record corp released on 2010 12 06 auto g

talk that music talk the university of new orleans - Jun 02 2022

web this book is about the history of that kind of organizing work and what happened when the new orleans jazz national historical park brought together a new group of young people to learn traditional brass band music from older musicians and the black men of labor social aid pleasure club

talk that talk wikipedi - Apr 12 2023

web talk that talk genel olarak müzik eleştirilenlerden olumlu eleştiriler aldı metacritic in 100 üzerinden hesaplanan puanlama sisteminde 27 ana eleştiriden toplamda 64 puan aldı allmusic den andy kellman albüm için good girl gone bad 2007 ve rated r 2009 den sonra üçüncü en iyi rihanna albümü diye yazdı the

[twice talk that talk m v youtube](#) - Aug 16 2023

web twice talk that talk m v twice 11th mini album between 1 2 released on 2022 08 26 fri 1pm kst 0am est listen between 1

2 here twice link to between 1 and 2 twice official shop

talk that talk twice song wikipedia - Mar 11 2023

web talk that talk is a song recorded by south korean girl group twice it was released on august 26 2022 by jyp entertainment and republic records as the lead single of the group s eleventh extended play between 1 2

talk that music talk rachel breunlin leres piopend info - Feb 27 2022

web talk that music talk rachel breunlin a little original sin the life and work of jane bowles millicent dillon silicon biochemistry symposium no 121 ciba foundation symposium trinity and ontology a comparative study of the theologies of karl barth and wolfgang pannenberg timothy bradshaw the yeoman of the guard or the

talk that talk youtube music - Nov 07 2022

web new recommendations 0 00 0 00 provided to youtube by universal music group talk that talk rihanna jay z talk that talk 2011 def jam recordings a division of umg recordings

talk that talk youtube music - Jan 09 2023

web talk that talk album rihanna 2011 11 songs 37 minutes talk that talk is the sixth studio album by barbadian singer rihanna released on november 18 2011 by def jam recordings and

food quality and safety systems a training manual on food - Jun 11 2023

web the haccp system identifies specific hazards and control measures to ensure the safety of food an haccp plan is specific to the particular food and processing application the haccp system is capable of accommodating change such as advances in equipment design new information concerning health hazards or risks new processing procedures or

introduction to hazard analysis critical control point haccp - Sep 14 2023

web haccp is a preventive tool that allows food businesses to develop systematic controls of hazards beyond the control achieved through ghp as an internationally recognized tool for controlling food operations haccp is promoted by national

managing food safety a manual for the voluntary use of haccp - Feb 07 2023

web a manual for the voluntary use of haccp principles for operators of food service and retail establishments additional copies are available from office of food safety

haccp principles application guidelines fda - Oct 15 2023

web aug 14 1997 haccp plan the written document which is based upon the principles of haccp and which delineates the procedures to be followed haccp system the result of the implementation of the haccp

introduction to haccp ghptoolbox - May 10 2023

web haccp introduction this guidance document introduces the seven principles of haccp and how to apply them using the 12 steps to enhance control of significant hazards in a food business and ensure food safety haccp is an important part of food

safety management

sac haccp document no 1 - Apr 09 2023

web a haccp manual b list of applicable legal requirements c product data d process flow charts e site layout plan f haccp plans and g other procedures and work instructions including recall procedures required by the organisation 4 the auditors shall review the process adopted by the organisation for

guidebook for the preparation of haccp plans food safety and - Jul 12 2023

web purpose this guidebook is intended for small and very small establishments the guidebook clarifies the 9 code of federal regulations cfr part 417 hazard analysis and critical control point haccp systems requirements and provides guidance on how establishments might develop haccp plans that meet those requirements

haccp manual - Aug 13 2023

web haccp manual by liz williams are you confident that the food you serve is safe this pack aims to help you understand what can go wrong when preparing food and what you must do to make sure you never place your customers and thus your business or operation at risk of a food safety incident

company quality manual international food safety and quality - Mar 08 2023

web the haccp manual demonstrates due diligence of the company in the effective planning development and implementation of the food safety management system

hazard analysis and critical control world health organization - Jan 06 2023

web haccp principles 4 and 5 application steps 9 10 system to be reviewed confirmed and audited records must be generated for the system to be documented haccp principles 6 and 7 application steps 11 12 0principlesareoutlinedin igure applicationstepsin igure figure 1 evolution of the concept of hazard analysis