

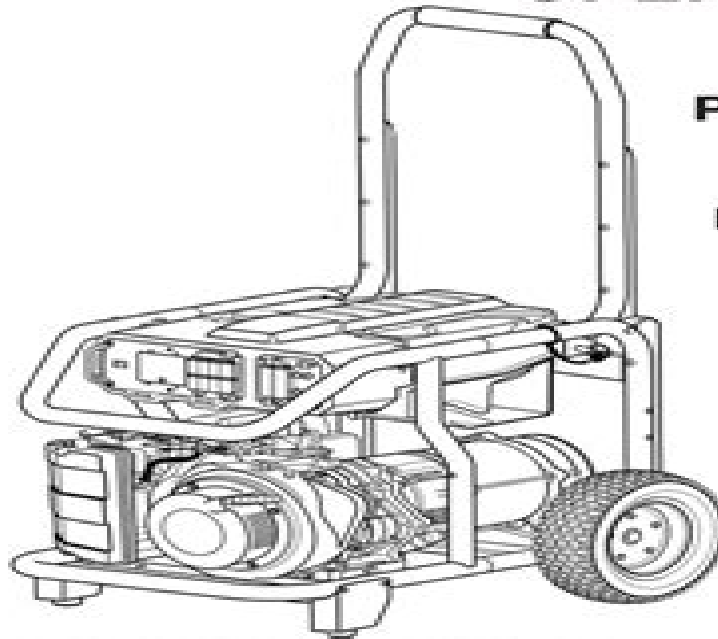
# RIDGID®

## OPERATOR'S MANUAL

Manuel de l'opérateur  
Manual del operador

### PORTABLE GENERATOR Groupe portable Generador portátil

RD6800/RD68011/RDCA6800  
Series / Série / Serie



**NEUTRAL BONDED TO FRAME**  
(CONNECTEUR NEUTRE RELIÉ AU CADRE, PUNTO NEUTRO CONECTADO AL MARCO)

Your generator has been engineered and manufactured to our high standard for dependability, ease of operation, and operator safety. When properly cared for, it will give you years of rugged, trouble-free performance.

To register your RIDGID product, please visit:  
<http://register.RIDGID.com>

Pour enregistrer votre produit de RIDGID, s'il vous plaît la visitez:  
<http://register.RIDGID.com>

Para registrar su producto de RIDGID, por favor visita:  
<http://register.RIDGID.com>

**⚠ WARNING:** To reduce the risk of injury, the user must read and understand the operator's manual before using this product. If you do not understand the warnings and instructions in the operator's manual, do not use this product.

### SAVE THIS MANUAL FOR FUTURE REFERENCE

Ce groupe portable a été conçu et fabriqué conformément à nos strictes normes de fiabilité, simplicité d'emploi et sécurité d'utilisation. Correctement entretenu, cet outil vous donnera des années de fonctionnement robuste et sans problème.

Su generador portátil diseñado y fabricado de conformidad con nuestras estrictas normas para brindar fiabilidad, facilidad de uso y seguridad para el operador. Con el debido cuidado, le brindará muchos años de sólido funcionamiento y sin problemas.

**⚠ AVERTISSEMENT :**  
Pour réduire les risques de blessures, l'utilisateur doit lire et veiller à bien comprendre le manuel d'utilisation avant d'employer ce produit. Si tous les avertissements et toutes les consignes de sécurité et instructions du manuel d'utilisation ne sont pas bien compris, ne pas utiliser ce produit.

**⚠ ADVERTENCIA:**  
Para reducir el riesgo de lesiones, el usuario debe leer y comprender el manual del operador antes de usar este producto. Guarde este manual del operador y estúdiele frecuentemente para lograr un funcionamiento seguro y continuo de este producto.

**CONSERVER CE MANUEL POUR  
FUTURE RÉFÉRENCE**

**GUARDE ESTE MANUAL PARA  
FUTURAS CONSULTAS**

# Ridgid 6800 Manual

**Robert R. Redfield**



## **Ridgid 6800 Manual:**

*U.S. Industrial Directory*, 1987    *Building Operating Management*, 1982    *Public Works*, 1981    *DE/domestic Engineering*, 1983    **Industrial Distribution**, 1983    **Thomas Register of American Manufacturers**, 2002 This basic source for identification of U S manufacturers is arranged by product in a large multi volume set Includes Products services Company profiles and Catalog file    *Thomas Register of American Manufacturers and Thomas Register Catalog File*, 2002 Vols for 1970 71 includes manufacturers catalogs    *Regional Industrial Buying Guide*, 2005    *Lodging Hospitality*, 1982

**Design News**, 1981    **THOMAS REGIONAL INDUSTRIAL BUYING GUIDE NORTHERN CALIFORNIA 2004**,  
*Popular Science*, 1973    **Chicago, Cook County, and Illinois Industrial Directory**, 1976    **Requirements for the Operating Manual** Kerntechnischer Ausschuss, Koeln, 1985    **Operator Manual Data Loader G-10N.**, 1996

*Delco Radio Owner's Manual Model 633; Delcotron Generator Installation* Delco-Remy Corporation, 2016-06-23 Unlike some other reproductions of classic texts 1 We have not used OCR Optical Character Recognition as this leads to bad quality books with introduced typos 2 In books where there are images such as portraits maps sketches etc We have endeavoured to keep the quality of these images so they represent accurately the original artefact Although occasionally there may be certain imperfections with these old texts we feel they deserve to be made available for future generations to enjoy

**Defender: Data and maintenance, Engine and engine systems. Vol 2. Transmission, Chassis and body, Air conditioning and electrical equipment**, 1993    *Chilton's Jeep Liberty/Dodge Nitro 2002-2012 Repair Manual* Len Taylor (Author of Jeep Liberty automotive repair manual), Tim Imhoff, 2018    *Light Truck Tune-up Manual, 1965-78* Mitchell Manuals, inc, 1978    **Delco Radio Owner's Manual Model 633 ; Delcotron Generator Installation** Delco-Remy Corporation, 2010

Ignite the flame of optimism with its motivational masterpiece, **Ridgid 6800 Manual** . In a downloadable PDF format ( PDF Size: \*), this ebook is a beacon of encouragement. Download now and let the words propel you towards a brighter, more motivated tomorrow.

[https://crm.avenza.com/About/uploaded-files/default.aspx/Nissan\\_Forklift\\_Internal\\_Combustion\\_F04\\_Series\\_Service\\_Repair\\_Manual.pdf](https://crm.avenza.com/About/uploaded-files/default.aspx/Nissan_Forklift_Internal_Combustion_F04_Series_Service_Repair_Manual.pdf)

## **Table of Contents Ridgid 6800 Manual**

1. Understanding the eBook Ridgid 6800 Manual
  - The Rise of Digital Reading Ridgid 6800 Manual
  - Advantages of eBooks Over Traditional Books
2. Identifying Ridgid 6800 Manual
  - Exploring Different Genres
  - Considering Fiction vs. Non-Fiction
  - Determining Your Reading Goals
3. Choosing the Right eBook Platform
  - Popular eBook Platforms
  - Features to Look for in an Ridgid 6800 Manual
  - User-Friendly Interface
4. Exploring eBook Recommendations from Ridgid 6800 Manual
  - Personalized Recommendations
  - Ridgid 6800 Manual User Reviews and Ratings
  - Ridgid 6800 Manual and Bestseller Lists
5. Accessing Ridgid 6800 Manual Free and Paid eBooks
  - Ridgid 6800 Manual Public Domain eBooks
  - Ridgid 6800 Manual eBook Subscription Services
  - Ridgid 6800 Manual Budget-Friendly Options

6. Navigating Ridgid 6800 Manual eBook Formats
  - ePub, PDF, MOBI, and More
  - Ridgid 6800 Manual Compatibility with Devices
  - Ridgid 6800 Manual Enhanced eBook Features
7. Enhancing Your Reading Experience
  - Adjustable Fonts and Text Sizes of Ridgid 6800 Manual
  - Highlighting and Note-Taking Ridgid 6800 Manual
  - Interactive Elements Ridgid 6800 Manual
8. Staying Engaged with Ridgid 6800 Manual
  - Joining Online Reading Communities
  - Participating in Virtual Book Clubs
  - Following Authors and Publishers Ridgid 6800 Manual
9. Balancing eBooks and Physical Books Ridgid 6800 Manual
  - Benefits of a Digital Library
  - Creating a Diverse Reading Collection Ridgid 6800 Manual
10. Overcoming Reading Challenges
  - Dealing with Digital Eye Strain
  - Minimizing Distractions
  - Managing Screen Time
11. Cultivating a Reading Routine Ridgid 6800 Manual
  - Setting Reading Goals Ridgid 6800 Manual
  - Carving Out Dedicated Reading Time
12. Sourcing Reliable Information of Ridgid 6800 Manual
  - Fact-Checking eBook Content of Ridgid 6800 Manual
  - Distinguishing Credible Sources
13. Promoting Lifelong Learning
  - Utilizing eBooks for Skill Development
  - Exploring Educational eBooks
14. Embracing eBook Trends
  - Integration of Multimedia Elements

- Interactive and Gamified eBooks

## **Ridgid 6800 Manual Introduction**

In this digital age, the convenience of accessing information at our fingertips has become a necessity. Whether its research papers, eBooks, or user manuals, PDF files have become the preferred format for sharing and reading documents. However, the cost associated with purchasing PDF files can sometimes be a barrier for many individuals and organizations. Thankfully, there are numerous websites and platforms that allow users to download free PDF files legally. In this article, we will explore some of the best platforms to download free PDFs. One of the most popular platforms to download free PDF files is Project Gutenberg. This online library offers over 60,000 free eBooks that are in the public domain. From classic literature to historical documents, Project Gutenberg provides a wide range of PDF files that can be downloaded and enjoyed on various devices. The website is user-friendly and allows users to search for specific titles or browse through different categories. Another reliable platform for downloading Ridgid 6800 Manual free PDF files is Open Library. With its vast collection of over 1 million eBooks, Open Library has something for every reader. The website offers a seamless experience by providing options to borrow or download PDF files. Users simply need to create a free account to access this treasure trove of knowledge. Open Library also allows users to contribute by uploading and sharing their own PDF files, making it a collaborative platform for book enthusiasts. For those interested in academic resources, there are websites dedicated to providing free PDFs of research papers and scientific articles. One such website is Academia.edu, which allows researchers and scholars to share their work with a global audience. Users can download PDF files of research papers, theses, and dissertations covering a wide range of subjects. Academia.edu also provides a platform for discussions and networking within the academic community. When it comes to downloading Ridgid 6800 Manual free PDF files of magazines, brochures, and catalogs, Issuu is a popular choice. This digital publishing platform hosts a vast collection of publications from around the world. Users can search for specific titles or explore various categories and genres. Issuu offers a seamless reading experience with its user-friendly interface and allows users to download PDF files for offline reading. Apart from dedicated platforms, search engines also play a crucial role in finding free PDF files. Google, for instance, has an advanced search feature that allows users to filter results by file type. By specifying the file type as "PDF," users can find websites that offer free PDF downloads on a specific topic. While downloading Ridgid 6800 Manual free PDF files is convenient, its important to note that copyright laws must be respected. Always ensure that the PDF files you download are legally available for free. Many authors and publishers voluntarily provide free PDF versions of their work, but its essential to be cautious and verify the authenticity of the source before downloading Ridgid 6800 Manual. In conclusion, the internet offers numerous platforms and websites that allow users to download free PDF files legally. Whether its classic literature, research papers, or

magazines, there is something for everyone. The platforms mentioned in this article, such as Project Gutenberg, Open Library, Academia.edu, and Issuu, provide access to a vast collection of PDF files. However, users should always be cautious and verify the legality of the source before downloading Ridgid 6800 Manual any PDF files. With these platforms, the world of PDF downloads is just a click away.

### **FAQs About Ridgid 6800 Manual Books**

How do I know which eBook platform is the best for me? Finding the best eBook platform depends on your reading preferences and device compatibility. Research different platforms, read user reviews, and explore their features before making a choice. Are free eBooks of good quality? Yes, many reputable platforms offer high-quality free eBooks, including classics and public domain works. However, make sure to verify the source to ensure the eBook credibility. Can I read eBooks without an eReader? Absolutely! Most eBook platforms offer web-based readers or mobile apps that allow you to read eBooks on your computer, tablet, or smartphone. How do I avoid digital eye strain while reading eBooks? To prevent digital eye strain, take regular breaks, adjust the font size and background color, and ensure proper lighting while reading eBooks. What the advantage of interactive eBooks? Interactive eBooks incorporate multimedia elements, quizzes, and activities, enhancing the reader engagement and providing a more immersive learning experience. Ridgid 6800 Manual is one of the best book in our library for free trial. We provide copy of Ridgid 6800 Manual in digital format, so the resources that you find are reliable. There are also many Ebooks of related with Ridgid 6800 Manual. Where to download Ridgid 6800 Manual online for free? Are you looking for Ridgid 6800 Manual PDF? This is definitely going to save you time and cash in something you should think about.

### **Find Ridgid 6800 Manual :**

[nissan forklift internal combustion f04 series service repair manual](#)

[nissan altima dashboard warning lights](#)

[\*\*nissan 350z service engine soon light\*\*](#)

[nims machining level 1 preparation guide lathe](#)

[\*\*nissan 25 forklift service manual\*\*](#)

[nissan armada complete workshop repair manual 2011](#)

[nine note recorder chart](#)

[nissan bluebird replacement parts manual 1982 1986](#)

**nikon manual focus lens price**

**nissan almera 95**

**nikos kazantzakis report to greco**

**nissan cefiro excimo manual**

**nissan exa repair manual**

[nissan d22 engine parts](#)

**nintendo dsi xl screen repair**

### **Ridgid 6800 Manual :**

[the hindu view of life radhakrishnan s sarvepalli 1888 1975 - Jul 18 2023](#)

web 1974 topics hinduism hindouisme publisher london unwinn books collection inlibrary printdisabled internetarchivebooks contributor internet archive language english 92 pages 19 cm the material for this book was originally delivered in the form of lectures the upton lectures in 1926 at manchester college oxford

[amazon com the hindu view of life ebook radhakrishnan s - Sep 08 2022](#)

web aug 1 2015 an enduring introduction to hindu life and culture by the prominent scholar and former president of india s radhakrishnan a perfect companion volume to radhakrishnan s classic translation of the bhagavadgita

**the hindu view of life radhakrishnan s radhakrishnan s - Aug 07 2022**

web sep 1 1998 an enduring introduction to hindu life and culture by the prominent scholar and former president of india s radhakrishnan a perfect companion volume to radhakrishnan s classic translation of the bhagavadgita

**the hindu view of life s radhakrishnan free download - Sep 20 2023**

web the hindu view of life s radhakrishnan free download borrow and streaming internet archive by s radhakrishnan publication date 1931 topics sv collection digitallibraryindia jaigyan language english book source digital library of india item 2015 170903 dc contributor author s radhakrishnan

[s radhakrishnan the hindu view of life philpapers - Mar 14 2023](#)

web a timeless treatise on what constitutes the hindu way of life religion in india can appear to be a confusing tangle of myths with many different gods and goddesses worshipped in countless forms this complexity stems from a love of story telling as much as anything else but it is only the surface expression of indian faith

**hindu view of life 1927 s radhakrishnan - Oct 09 2022**

web oct 12 2023 hindu view of life 1927 s radhakrishnan attachment size 145639119 hindu view of life 1927 pdf 1 9 3 mb



source url retrieved on oct 12

*the hindu view of life archive org* - Jun 17 2023

web the hindu view of life upto lectures delivered at manchester college oxford 1926 radhakrishnan s sarvepalli 1888 1975  
free download borrow and streaming internet archive

*the hindu view of life by sarvepalli radhakrishnan goodreads* - Aug 19 2023

web dr sarvepalli radhakrishnan has tried to give a simplistic view of hindu s life through comprehensive essays book  
mainly consists of religious experience in hindu life development of hindu universal thoughts philosophy and principles of  
dharmic system and in depth analysis of varna system

*the hindu view of life by sarvepalli radhakrishnan open library* - May 04 2022

web may 9 2021 created by an anonymous user imported from scriblio marc record the hindu view of life by sarvepalli  
radhakrishnan 1927 g allen unwin ltd the macmillan company edition in english

**the hindu view of life by sarvepalli radhakrishnan open library** - Jun 05 2022

web oct 26 2009 1 rating 9 want to read 0 currently reading 2 have read this edition doesn t have a description yet can you  
add one publish date 1927 publisher allen

**the hindu view of life by s radhakrishnan overdrive** - Nov 10 2022

web aug 1 2015 a timeless treatise on what constitutes the hindu way of life religion in india can appear to be a confusing  
tangle of myths with many different gods and goddesses worshipped in countless forms this complexity stems from a love of  
story telling as much as anything else but it is only the surface expression of indian faith

**the hindu view of life 1927 radhakrishnan archive org** - May 16 2023

web the hindu view of life 1927 by radhakrishnan publication date 1927 topics c dac collection digitallibraryindia jaigyan  
language english the hindu view of life 1927 addeddate 2017 01 15 04 10 08 identifier in ernet dli 2015 1200 identifier ark  
ark 13960 t2m66q97c ocr abbyy finereader 11 0 ppi 600

**the hindu view of life kindle edition amazon in** - Jul 06 2022

web this book consists of four lectures that he delivered on various aspects of hinduism his learning comes through easily as  
well as his balanced view of life as a proud hindu he does tend to praise hindu philosophy and there

**amazon com the hindu view of life 9798373433785 radhakrishnan** - Dec 11 2022

web jan 12 2023 the hindu way of life religion in india can appear to be a confusing tangle of myths with many different  
gods and goddesses worshipped in countless forms thankfully the hindu view of life by s radhakrishnan is a profound and  
enlightening book that offers a deep understanding of the philosophy and worldview of hinduism

**the hindu view of life sarvepalli radhakrishnan google books** - Feb 13 2023

web the hindu view of life martha upton lectures author sarvepalli radhakrishnan edition 12 publisher g allen unwinn 1961 original from

**sarvepalli radhakrishnan wikipedia** - Mar 02 2022

web the hindu view of life 1927 london allen unwinn 92 pages indian religious thought 2016 orient paperbacks isbn 978 81 222042 4 7 religion science and culture 2010 orient paperbacks isbn 978 81 222001 2 6 an idealist view of life 1929 351 pages kalki or the future of civilization 1929 96 pages

**the hindu view of life s radhakrishnan google books** - Apr 15 2023

web sep 22 2009 the hindu view of life s radhakrishnan harpercollins publishers india sep 22 2009 religion 104 pages a timeless treatise on what constitutes the hindu way of life

*the hindu view of life by s radhakrishnan ebook scribd* - Apr 03 2022

web here one of the most profound philosophers of india explains these and other related concepts intrinsic to the hindu philosophy of life skip carousel religion spirituality language english publisher element release date aug 1 2015 isbn 9789351360452 start your free days read preview

radhakrishnan sarvepalli internet encyclopedia of philosophy - Jan 12 2023

web hvl the hindu view of life 1927 ip1 indian philosophy volume 1 1923 ivl an idealist view of life 1929 mst my search for truth 1937 5 references and further reading a primary sources by radhakrishnan the ethics of the vedanta and its metaphysical presuppositions madras the guardian press 1908

first hostage video of 21 year old mia shem posted by hamas - Feb 01 2022

web oct 17 2023 schem a 21 year old french israeli woman is being held hostage by the militant group hamas in the gaza strip the video released by hamas on monday is the first footage of any of the dozens of

*management notes introduction to mgmt management management* - Mar 10 2023

web management notes introduction to mgmt management management can be defined as the process of studocu mba general management papers mba 001 trader joe s notes dca sclkas nba packaging for food business material for food packaging technology 12985 project management essentials case study class work chapter 6

mba in general management universities fees scope - Oct 05 2022

web sep 12 2023 this article walks you through crucial information like what is the scope of general management in an mba and covers some top universities including the fees and job prospects available in some of the best foreign countries offering this course start your study abroad journey with upgrad abroad

**mba bba emba exam notes and study materials** - Aug 03 2022

web find mba projects notes for principles of management managerial economics and business accounting operation

research and quantitative techniques strategic management financial management hr management organizational behavior and organizational development business laws and ethics corporate communication and management

**mba study material 2023 free pdf download mba karlo** - Apr 11 2023

web may 27 2023 2 62 438 less than a minute free mba study material hi discover free mba study material that notes for specializations like marketing finance operations management human resource management embarking on an mba journey is an exciting and rewarding endeavor

**principles of management open textbook** - Jun 13 2023

web oct 27 2015 download this book principles of management teaches management principles to tomorrow s business leaders by weaving three threads through every chapter strategy entrepreneurship and active leadership for questions about this textbook please contact textbookuse umn edu

**management notes bba notes mba notes free subject wise notes** - Mar 30 2022

web some of the subjects in bba mba programs are mentioned below you can click on the following blue links to study all the topics related to that particular subject business organization principles and practices of management human resource management personnel management organisational behavior business

[mba books notes 2023 for all semesters in pdf 1st 2nd year](#) - Jun 01 2022

web mar 24 2023 working capital management notes international human resources management book wages and salary administration notes organisational dynamics notes download management change in organisations book employment relations notes download managerial economics notes information systems for managers

*note for exam mba 111 gm mba 111 general management* - Jul 14 2023

web mba 111 general management remember this chapter 1 the world of innovative management page 6 managers get things done by coordinating and motivating other people management is often a different experience from what people expect

**international business management pdf notes mba 2023** - Jan 28 2022

web jan 11 2023 download international business management notes pdf books syllabus for mba 2023 we provide complete international business management pdf international business management study material includes international business management notes book courses case study syllabus question paper mcq

[management theory and practice and cases harvard business school](#) - Aug 15 2023

web sep 11 2013 this setoff a process 1 completing our field cases to encompass the issue domain of an it functional manager 2 recrafting the cases from multiple industries to include one industry 3 integrating the key characters of monomyth hero s journey and 4 writing the case dialogue for the protagonist s jim barton hero s journey

**strategic management notes pdf syllabus mba 2023** - Jul 02 2022

web dec 8 2019 download strategic management notes for mba 2023 we provide complete strategic management notes for mba 3rd sem mba strategic management study material includes strategic management notes strategic management books strategic management course strategic management case study mcq syllabus

**mba study material leverage edu** - Sep 04 2022

web mar 1 2023 mba study material 2021 free ebooks books online courses and notes for mba students mba study material for different specialisations

**principles of management lecture notes for mba studocu** - May 12 2023

web fayol s activities in industrial undertaking general principles of management fayol listed fourteen principles based on experience he noting that principles of management are flexible not absolute and must be usable regard less of changing and special conditions principles of management lecture notes for mba university anna

**mba study notes online mba notes easy management notes** - Jan 08 2023

web sep 9 2023 easy management notes stands as an exceptionally enlightening portal for those in pursuit of online mba study resources within easy management notes we ve amassed a compendium of invaluable inputs to provide management scholars with seamless access to a consolidated repertoire of content

**concept based notes principles and practices of management** - Feb 09 2023

web m 101 syllabus objective the objective of this paper is to familiarize the student with basic management concepts and behavioral processes in the organization the course will be an introduction to the way in which a firm can

**02 management notes for mba slideshare** - Dec 07 2022

web oct 25 2015 02 management notes for mba principle of management full notes of management for student of mba 9 23 2014 the muslim education system abbotabad by awais qasim student of the jawad ahmad zeb by awais qasim management introduction management from old french ménagement the art of conducting

**general management notes for mba** - Dec 27 2021

web recognizing the quirk ways to get this book general management notes for mba is additionally useful you have remained in right site to start getting this info get the general management notes for mba associate that we manage to pay for here and check out the link you could purchase lead general management notes for mba or get it as soon as

**mba books notes pdf for all semesters 1st 2nd year** - Feb 26 2022

web may 14 2020 download mba books notes in pdf for all semesters aspirants are advised to make use of the download links for all the semesters by referring below master of business administration study material and notes on this page makes it easy for you to score max marks

**notes for mba bba bbs b com and management sciences** - Nov 06 2022

web notes for mba contains mba notes bba notes bbs notes b com notes management sciences notes finance notes marketing notes hrm notes mba subjects mba courses and other management sciences notes

**principles of management notes pdf bba bcom 2023** - Apr 30 2022

web jan 11 2023 download principles of management pdf notes books syllabus for bba b com 2023 we provide complete principles of management pdf principles of management study material include principles of management notes principles of management book courses case study syllabus question paper mcq questions and

**a few kind words and a loaded gun the autobiography of a** - Aug 02 2023

web jan 1 2005 a few kind words and a loaded gun is the autobiography of convicted felon noel razor smith an extraordinarily vivid account of how a tearaway kid from south london became a career criminal it is both a searing indictment of a system that determinedly brutalized young offenders and a frank unsentimental acknowledgement of

**a few kind words and a loaded gun the autobiography of a** - Aug 22 2022

web the autobiography of convicted felon noel razor smith razor has shot slashed and robbed his way into gangland legend the battle of morden the massacre at the white swan gun fights in brixton beatings by police and rival gangs razor tells it all

**a few kind words and a loaded gun the autobiography of a** - Apr 29 2023

web jul 28 2005 a few kind words and a loaded gun is the autobiography of convicted felon noel razor smith an extraordinarily vivid account of how a tearaway kid from south london became a career criminal it is both a searing indictment of a system that determinedly brutalized young offenders and a frank unsentimental acknowledgement of

**a few kind words and a loaded gun google books** - Mar 17 2022

web 0 reviews reviews aren t verified but google checks for and removes fake content when it s identified brutal and violent this tell all is a personal account of the life of razor smith and the

*a few kind words and a loaded gun the autobiography of a* - Jul 21 2022

web buy a few kind words and a loaded gun the autobiography of a career criminal by smith noel razor isbn 9780141049922 from amazon s book store everyday low prices and free delivery on eligible orders

**a few kind words and a loaded gun the autobiography of a** - Nov 24 2022

web language english 482 pages 8 pages of plates 20 cm having survived borstal in reality gladiator school for young criminals noel razor smith went on to a life of violent crime over the years his addiction to violence diminished but the thrill of

**few kind words and a loaded gun google books** - Apr 17 2022

web a few kind words and a loaded gun is the autobiography of convicted criminal noel razor smith an extraordinarily vivid

account of how a tearaway kid from south london became a career criminal it is both a searing indictment of a system that determinedly brutalized young offenders and a frank unsentimental acknowledgement of the thrills of

**a few kind words and a loaded gun the autobiography of a** - Dec 26 2022

web a few kind words and a loaded gun the autobiography of a career criminal ebook written by noel razor smith read this book using google play books app on your pc android ios devices download for offline reading highlight bookmark or take notes while you read a few kind words and a loaded gun the autobiography of a career

**a few kind words and a loaded gun google books** - May 31 2023

web jul 28 2005 a few kind words and a loaded gun is the autobiography of convicted felon noel razor smith an extraordinarily vivid account of how a tearaway kid from south london became a career

*a few kind words and a loaded gun the autobiography o* - Oct 04 2023

web jun 3 2004 a few kind words and a loaded gun is the autobiography of convicted felon noel razor smith an extraordinarily vivid account of how a tearaway kid from south london became a career criminal it is both a searing indictment of a system that determinedly brutalized young offenders and a frank unsentimental acknowledgement of

[a few kind words and a loaded gun google books](#) - Jan 27 2023

web a few kind words and a loaded gun is the autobiography of convicted criminal noel razor smith an extraordinarily vivid account of how a tearaway kid from south london became a career

**a few kind words and a loaded gun the autobiography of a** - May 19 2022

web a few kind words and a loaded gun the autobiography of a career criminal smith razor amazon com au books

[a few kind words and a loaded gun the autobiography of a](#) - Jun 19 2022

web a few kind words and a loaded gun the autobiography of a career criminal ebook written by razor smith read this book using google play books app on your pc android ios devices download for offline reading highlight bookmark or take notes while you read a few kind words and a loaded gun the autobiography of a career criminal

*a few kind words and a loaded gun google books* - Feb 25 2023

web jul 28 2005 a few kind words and a loaded gun the autobiography of a career criminal noel razor smith razor smith penguin adult jul 28 2005 biography autobiography 482 pages 0 reviews

**a few kind words and a loaded gun the autobiography of a** - Oct 24 2022

web a few kind words and a loaded gun the autobiography of a career criminal noel smith brutal and violent this tell all is a personal account of the life of razor smith and the world in which he lived where ruthlessness

**a few kind words and a loaded gun penguin books uk** - Mar 29 2023

web details all editions about the author noel razor smith learn more a few kind words and a loaded gun is the autobiography

of convicted felon noel razor smith

a few kind words and a loaded gun the autobiography of a - Sep 03 2023

web a few kind words and a loaded gun the autobiography of a career criminal smith noel razor amazon sg books

**a few kind words and a loaded gun the autobiography of a** - Feb 13 2022

web a few kind words and a loaded gun the autobiography of a career criminal a few kind words and a loaded gun the autobiography of a career criminal by smith noel publication date 2005 topics smith noel smith noel thieves great britain biography thieves great britain

a few kind words and a loaded gun the autobiography of a - Jul 01 2023

web jan 1 2004 a few kind words and a loaded gun is the autobiography of convicted criminal noel razor smith an extraordinarily vivid account of how a tearaway kid from south london became a career criminal it is both a searing indictment of a system that determinedly brutalized young offenders and a frank unsentimental acknowledgement of hardcover april 1 2005 amazon com - Sep 22 2022

web apr 1 2005 a few kind words and a loaded gun the autobiography of a career criminal hardcover april 1 2005 by razor smith author 4 5 4 5 out of 5 stars 218 ratings