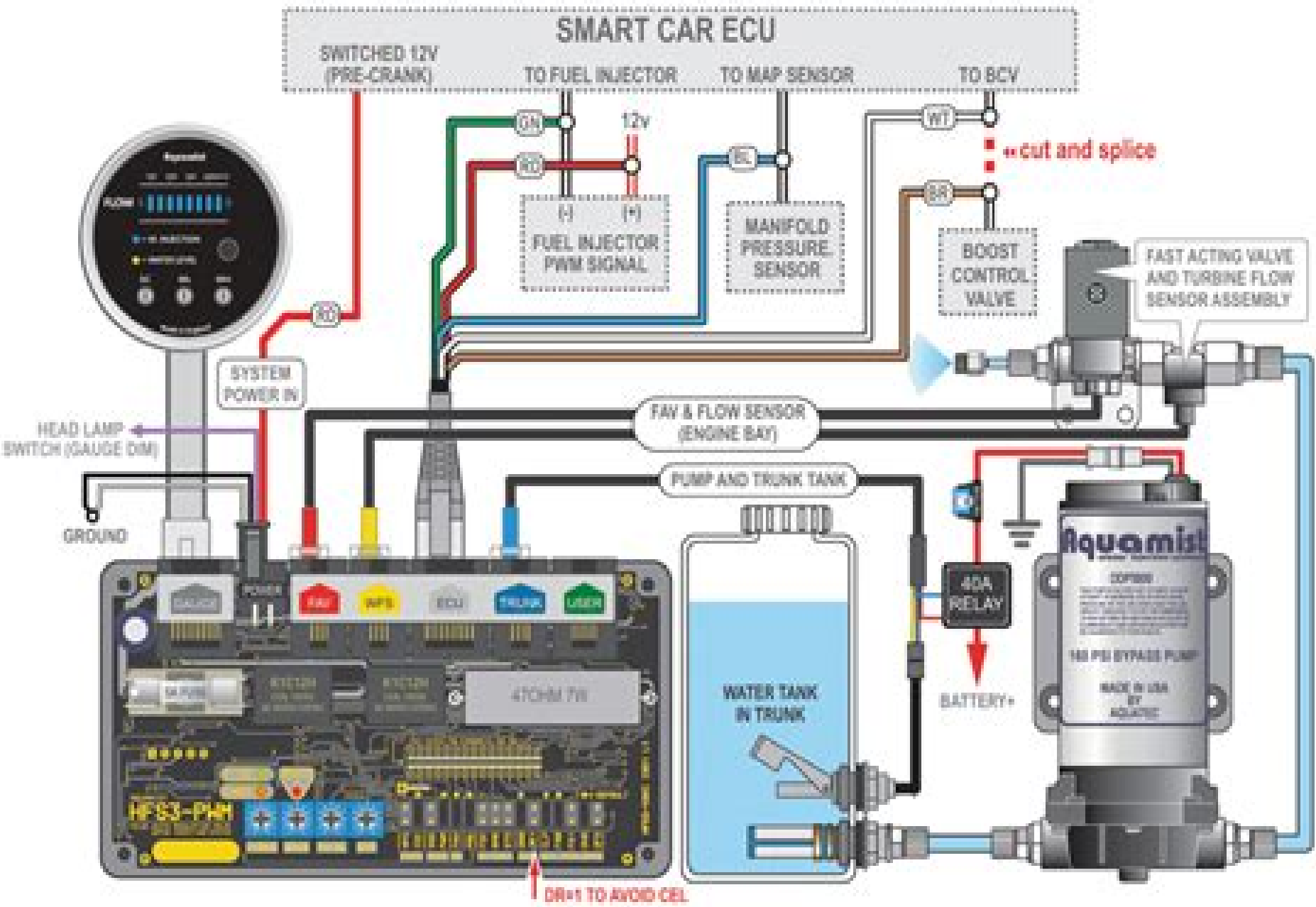


# HFS3-v2 wiring diagram (generic) for Smart car January 2013 preliminary



# Schematic Diagram For Smart Car



**ML Yell**

**Schematic Diagram For Smart Car:**

Embark on a breathtaking journey through nature and adventure with is mesmerizing ebook, Natureis Adventure: **Schematic Diagram For Smart Car** . This immersive experience, available for download in a PDF format ( \*), transports you to the heart of natural marvels and thrilling escapades. Download now and let the adventure begin!

[https://crm.avenza.com/About/book-search/index.jsp/oracle\\_database\\_11g\\_advanced\\_sql\\_student\\_guide.pdf](https://crm.avenza.com/About/book-search/index.jsp/oracle_database_11g_advanced_sql_student_guide.pdf)

## **Table of Contents Schematic Diagram For Smart Car**

1. Understanding the eBook Schematic Diagram For Smart Car
  - The Rise of Digital Reading Schematic Diagram For Smart Car
  - Advantages of eBooks Over Traditional Books
2. Identifying Schematic Diagram For Smart Car
  - Exploring Different Genres
  - Considering Fiction vs. Non-Fiction
  - Determining Your Reading Goals
3. Choosing the Right eBook Platform
  - Popular eBook Platforms
  - Features to Look for in an Schematic Diagram For Smart Car
  - User-Friendly Interface
4. Exploring eBook Recommendations from Schematic Diagram For Smart Car
  - Personalized Recommendations
  - Schematic Diagram For Smart Car User Reviews and Ratings
  - Schematic Diagram For Smart Car and Bestseller Lists
5. Accessing Schematic Diagram For Smart Car Free and Paid eBooks
  - Schematic Diagram For Smart Car Public Domain eBooks
  - Schematic Diagram For Smart Car eBook Subscription Services
  - Schematic Diagram For Smart Car Budget-Friendly Options
6. Navigating Schematic Diagram For Smart Car eBook Formats

- ePub, PDF, MOBI, and More
- Schematic Diagram For Smart Car Compatibility with Devices
- Schematic Diagram For Smart Car Enhanced eBook Features
- 7. Enhancing Your Reading Experience
  - Adjustable Fonts and Text Sizes of Schematic Diagram For Smart Car
  - Highlighting and Note-Taking Schematic Diagram For Smart Car
  - Interactive Elements Schematic Diagram For Smart Car
- 8. Staying Engaged with Schematic Diagram For Smart Car
  - Joining Online Reading Communities
  - Participating in Virtual Book Clubs
  - Following Authors and Publishers Schematic Diagram For Smart Car
- 9. Balancing eBooks and Physical Books Schematic Diagram For Smart Car
  - Benefits of a Digital Library
  - Creating a Diverse Reading Collection Schematic Diagram For Smart Car
- 10. Overcoming Reading Challenges
  - Dealing with Digital Eye Strain
  - Minimizing Distractions
  - Managing Screen Time
- 11. Cultivating a Reading Routine Schematic Diagram For Smart Car
  - Setting Reading Goals Schematic Diagram For Smart Car
  - Carving Out Dedicated Reading Time
- 12. Sourcing Reliable Information of Schematic Diagram For Smart Car
  - Fact-Checking eBook Content of Schematic Diagram For Smart Car
  - Distinguishing Credible Sources
- 13. Promoting Lifelong Learning
  - Utilizing eBooks for Skill Development
  - Exploring Educational eBooks
- 14. Embracing eBook Trends
  - Integration of Multimedia Elements
  - Interactive and Gamified eBooks

---

## Schematic Diagram For Smart Car Introduction

In today's digital age, the availability of Schematic Diagram For Smart Car books and manuals for download has revolutionized the way we access information. Gone are the days of physically flipping through pages and carrying heavy textbooks or manuals. With just a few clicks, we can now access a wealth of knowledge from the comfort of our own homes or on the go. This article will explore the advantages of Schematic Diagram For Smart Car books and manuals for download, along with some popular platforms that offer these resources. One of the significant advantages of Schematic Diagram For Smart Car books and manuals for download is the cost-saving aspect. Traditional books and manuals can be costly, especially if you need to purchase several of them for educational or professional purposes. By accessing Schematic Diagram For Smart Car versions, you eliminate the need to spend money on physical copies. This not only saves you money but also reduces the environmental impact associated with book production and transportation. Furthermore, Schematic Diagram For Smart Car books and manuals for download are incredibly convenient. With just a computer or smartphone and an internet connection, you can access a vast library of resources on any subject imaginable. Whether you're a student looking for textbooks, a professional seeking industry-specific manuals, or someone interested in self-improvement, these digital resources provide an efficient and accessible means of acquiring knowledge. Moreover, PDF books and manuals offer a range of benefits compared to other digital formats. PDF files are designed to retain their formatting regardless of the device used to open them. This ensures that the content appears exactly as intended by the author, with no loss of formatting or missing graphics. Additionally, PDF files can be easily annotated, bookmarked, and searched for specific terms, making them highly practical for studying or referencing. When it comes to accessing Schematic Diagram For Smart Car books and manuals, several platforms offer an extensive collection of resources. One such platform is Project Gutenberg, a nonprofit organization that provides over 60,000 free eBooks. These books are primarily in the public domain, meaning they can be freely distributed and downloaded. Project Gutenberg offers a wide range of classic literature, making it an excellent resource for literature enthusiasts. Another popular platform for Schematic Diagram For Smart Car books and manuals is Open Library. Open Library is an initiative of the Internet Archive, a non-profit organization dedicated to digitizing cultural artifacts and making them accessible to the public. Open Library hosts millions of books, including both public domain works and contemporary titles. It also allows users to borrow digital copies of certain books for a limited period, similar to a library lending system. Additionally, many universities and educational institutions have their own digital libraries that provide free access to PDF books and manuals. These libraries often offer academic texts, research papers, and technical manuals, making them invaluable resources for students and researchers. Some notable examples include MIT OpenCourseWare, which offers free access to course materials from the Massachusetts Institute of Technology, and the Digital Public Library of America, which provides a vast collection of digitized books and historical documents. In conclusion, Schematic Diagram For Smart Car

books and manuals for download have transformed the way we access information. They provide a cost-effective and convenient means of acquiring knowledge, offering the ability to access a vast library of resources at our fingertips. With platforms like Project Gutenberg, Open Library, and various digital libraries offered by educational institutions, we have access to an ever-expanding collection of books and manuals. Whether for educational, professional, or personal purposes, these digital resources serve as valuable tools for continuous learning and self-improvement. So why not take advantage of the vast world of Schematic Diagram For Smart Car books and manuals for download and embark on your journey of knowledge?

### **FAQs About Schematic Diagram For Smart Car Books**

How do I know which eBook platform is the best for me? Finding the best eBook platform depends on your reading preferences and device compatibility. Research different platforms, read user reviews, and explore their features before making a choice. Are free eBooks of good quality? Yes, many reputable platforms offer high-quality free eBooks, including classics and public domain works. However, make sure to verify the source to ensure the eBook credibility. Can I read eBooks without an eReader? Absolutely! Most eBook platforms offer web-based readers or mobile apps that allow you to read eBooks on your computer, tablet, or smartphone. How do I avoid digital eye strain while reading eBooks? To prevent digital eye strain, take regular breaks, adjust the font size and background color, and ensure proper lighting while reading eBooks. What the advantage of interactive eBooks? Interactive eBooks incorporate multimedia elements, quizzes, and activities, enhancing the reader engagement and providing a more immersive learning experience. Schematic Diagram For Smart Car is one of the best book in our library for free trial. We provide copy of Schematic Diagram For Smart Car in digital format, so the resources that you find are reliable. There are also many Ebooks of related with Schematic Diagram For Smart Car. Where to download Schematic Diagram For Smart Car online for free? Are you looking for Schematic Diagram For Smart Car PDF? This is definitely going to save you time and cash in something you should think about.

### **Find Schematic Diagram For Smart Car :**

**oracle database 11g advanced sql student guide**

**optical flat manual edmund optics**

[operation manual for vanhool bus](#)

**operator s manual jacks small engines**

options futures other derivatives 7e solutions manual  
operators guide bayliner 1982  
*operation manual crane kato kr20h iii*  
operating manual for spaceship earth quotes  
*operators manual jd 300*  
operation management chapter 8 problems solutions  
**optimax dfi service manual**  
**operation and parts manual multiquip inc**  
operators manual john deere model 420 crawler  
operation manual veeder root 2400 digital tachograph  
oprah winfrey recipe

**Schematic Diagram For Smart Car :**

*ra c ussir l examen d entra c e en ma c decine* - Apr 15 2022  
web ra c ussir l examen d entra c e en ma c decine 5 5 by the adoption of conventions and treaties this publication presents a collection of essays from legal advisers of states and international organizations all of whom are among those committed to promoting respect for international law their contribution provides a practical perspective on  
*ra c ussir l examen d entra c e en ma c decine download* - Mar 15 2022  
web ra c ussir l examen d entra c e en ma c decine 1 ra c ussir l examen d entra c e en ma c decine a complete french grammar for reference and practice dictionnaire annamite français comprenant the hunchback of notre dame annotated nouveau dictionnaire de sobrinio françois espagnol et latin c  
*ra c ussir l examen d entra c e en ma c decine pdf* - Oct 02 2023  
web ra c ussir l examen d entra c e en ma c decine 2 6 downloaded from uniport edu ng on october 18 2023 by guest political lessons and issues of pension fund socialism the last chapter considers the american politics realignments and readjustments studies in bibliography university of virginia bibliographical society 1961 vol 10 is a special  
**ra c ussir l examen d entra c e en ma c decine download** - Jun 17 2022  
web ra c ussir l examen d entra c e en ma c decine 1 ra c ussir l examen d entra c e en ma c decine right here we have countless ebook ra c ussir l examen d entra c e en ma c decine and collections to check out ra c ussir l examen d entra c e en ma c decine downloaded from api publico pinheiro ma gov br by guest liu nelson  
**ra c ussir l examen d entra c e en ma c decine pdf** - Jun 29 2023



web apr 18 2023 as this ra c ussir l examen d entra c e en ma c decine pdf it ends taking place visceral one of the favored books ra c ussir l examen d entra c e en ma c decine pdf collections that we have this is why you remain in the best website to see the incredible ebook to have ra c ussir l examen d entra c e en ma c decine pdf 2023

2022 direksiyon sınav Ücreti ne kadar sürücükursları com - Jul 19 2022

web jun 17 2021 telafi eğitimi ücreti sürücü kursuna göre değişiklik gösterebilir sürücü kursları genellikle adaylardan 2021 yılı için 300 350 tl ücret talep etmektedir bu ücretin 130 tl lik bölümü sürücü kursu tarafından milli eğitim bakanlığına ödenir bu nedenle sürücü adaylarının ilk sınavdan geçmeleri önemlidir

ra c ussir l examen d entra c e en ma c decine jiro akağawa - Jan 25 2023

web ra c ussir l examen d entra c e en ma c decine is available in our book collection an online access to it is set as public so you can download it instantly our book servers saves in multiple locations allowing you to get the most less latency time to download any of our books like this one

ra c ussir l examen d entra c e en ma c decine joan - Jul 31 2023

web ra c ussir l examen d entra c e en ma c decine thank you for reading ra c ussir l examen d entra c e en ma c decine as you may kindly say the ra c ussir l examen d entra c e en ma c decine is universally compatible with any devices to read myths and realities of french imperialism in india 1763 1783 sudipta das 1992

**ra c ussir l examen d entra c e en ma c decine pdf 2023** - Sep 20 2022

web may 20 2023 ra c ussir l examen d entra c e en ma c decine pdf c ussir l examen d entra c e en ma c decine 3 3 international law viewed from the standpoint of those involved in its formation application and administration education and social justice courier corporation the global transformation in the number

**ra c ussir l examen d entra c e en ma c decine edward lear** - May 29 2023

web ra c ussir l examen d entra c e en ma c decine when people should go to the ebook stores search launch by shop shelf by it will agreed ease you to see guide ra c ussir l examen d entra c e en ma c decine as you such as by searching the title publisher or authors of guide you in point of fact want you can discover them rapidly in the

*pdf ra c ussir l examen d entra c e en ma c decine* - Sep 01 2023

web ra c ussir l examen d entra c e en ma c decine year books of edward ii jan 01 2023 la naissance du chevalier au cygne feb 07 2021 software technology methods and tools aug 16 2021 this book constitutes the refereed proceedings of the 51st international conference on software technology methods and tools tools 2019

**rã â ussir l examen d entrã â e en mã â decine by elisabeth** - Apr 27 2023

web jun 9 2023 handbook rã â ussir l examen d entrã â e en mã â decine by elisabeth glass mohamed ayadim access the rã â ussir l examen d entrã â e en mã â decine by elisabeth glass mohamed ayadim join that we have the finances for here and

check out the link finally you will

**ra c ussir l examen d entra c e en ma c decine pdf** - Feb 11 2022

web ra c ussir l examen d entra c e en ma c decine 2 6 downloaded from uniport edu ng on august 17 2023 by guest onto a country torn by war le bestiaire d amour richard deournival 1709 09 trieste publishing has a massive catalogue of classic book titles our aim is to provide readers with

**msÜ sınavı ne zaman 2022 msÜ sınav yerleri ve detayları** - Aug 20 2022

web feb 26 2022 Ösym nin yaptığı açıklamaya göre msÜ askeri Öğrenci aday belirleme sınavı 27 mart 2022 pazar günü saat 10 15 te tüm il merkezlerinde yapılacak sınav süresi 165 dakika olacak

**ra c ussir l examen d entra c e en ma c decine pdf** - Oct 22 2022

web apr 11 2023 ra c ussir l examen d entra c e en ma c decine 2 4 downloaded from uniport edu ng on april 11 2023 by guest racial and ethnic identity herbert w harris 1995 essays explaining the psychological processes leading to

exam okunuşu okunuşu - Mar 27 2023

web exam okunuşu exam türkçe nasıl okunur exam anlamı sınav imtihan muayene exam okunuşu aşağıdaki gibidir İpucu okunuşunu merak ettiğiniz diğer kelimelere site içi arama yaparak ulaşabilirsiniz

**ra c ussir l examen d entra c e en ma c decine 2022** - Dec 24 2022

web ra c ussir l examen d entra c e en ma c decine recognizing the mannerism ways to acquire this books ra c ussir l examen d entra c e en ma c decine is additionally useful you have remained in right site to begin getting this info get the ra c ussir l examen d entra c e en ma c decine link that we provide here and check out the link

**meb sınav sonuç sorgulama e devlet kapısı** - Nov 22 2022

web milli eğitim bakanlığı meb sınav sonuç sorgulama henüz kimliğinizi doğrulamadınız bu hizmetten faydalanmak için aşağıdaki kimlik doğrulama yöntemlerinden sizin için uygun olan bir tanesini kullanarak sisteme giriş yapmış olmanız gerekmektedir bu hizmet ile milli eğitim bakanlığı nca düzenlenmiş ve katılmış

**ra c ussir l examen d entra c e en ma c decine 2022** - Feb 23 2023

web ra c ussir l examen d entra c e en ma c decine downloaded from api digital capito eu by guest chris lizeth a new french and english dictionary routledge a book for english speaking learners of french dictionnaire annamite français comprenant national academies press this volume contains the collected writings moran devoted to the

**ra c ussir l examen d entra c e en ma c decine pdf** - May 17 2022

web oct 15 2023 that people have search numerous times for their favorite novels like this ra c ussir l examen d entra c e en ma c decine but end up in harmful downloads rather than reading a good book with a cup of tea in the afternoon instead they are facing with some harmful bugs inside their laptop ra c ussir l examen d entra c e en ma c decine is

---

*wattpad university series painful battle tiktok* - Nov 24 2021

web this extraordinary book aptly titled painful battle wattpad compiled by a highly acclaimed author immerses readers in a captivating exploration of the significance of

*painful battle wattpad wp publish com* - Sep 22 2021

*painfulbattle stories wattpad* - Jun 12 2023

web jun 9 2018 24 parts ongoing snow levrans a retired deputy chief in she s a dominant disciplined strict and a serious person or ang mutya ng section e part one 131 parts

**the most painful battle by haveyouseenthisgirl goodreads** - Sep 03 2022

web the most painful battle link on wattpad wattpad com story 6514899 the most painful battle reposting slow updates as in slow si pierce usada ay isang

*best wattpad stories ever the most painful battle finished* - Mar 09 2023

web may 7 2021 read 100 the most painful battle from the story must read stories by canyoufixme miss t with 409 reads montefalco pilosopotasya serialsleeper author

*the most painful battle by haveyouseenthisgirl shopee* - Jan 27 2022

web discover short videos related to wattpad university series painful battle on tiktok

**the most painful battle trade paperback by haveyouseenthisgirl** - Apr 29 2022

web the most painful battle by haveyouseenthisgirl grabe iyak ko sa story natooo ajujuju t t maxpein

**the most painful battle published published** - Jul 13 2023

web read the most popular painfulbattle stories on wattpad the world s largest social storytelling platform

**the most painful battle is now on the pogi gang facebook** - Mar 29 2022

web buy the most painful battle by haveyouseenthisgirl online today product is available unless there s a sold sold out labeled in the picture all our books are brand

*must read stories 100 the most painful battle wattpad* - Feb 08 2023

web dec 30 2021 i wrote the most painful battle on wattpad yeaaaaars ago if i remember correctly it was around 2013 it was also the year where gangster stories were a hit on

**the most painful battle by wattpad fannatics facebook** - Feb 25 2022

web the most painful battle inspired by a wattpad storydaniel padilla as pierce usedajulianna ronquillo as klarechristelle lambatan as coreensean riley san pedr

**painful battle wattpad old vulkk com** - Oct 24 2021

---

**is it really the most painful battle haveyoueenthisgirl stories** - Dec 06 2022

web sold to mr payne by storyteller 1 6m 52 7k 68 completed but currently under editing life has never been easy for olivia and her mother growing up with an

*the most painful battle link on the most painful battle* - Jul 01 2022

web you can purchase the most painful battle trade paperback by haveyoueenthisgirl wattpad book multi here at nationalbookstore com

**ph the most painful battle youtube** - Dec 26 2021

web 4 painful battle wattpad 2022 01 28 he s just as arrogant in person as in interviews and she ll be damned if the good looking writer of love stories thinks he s the one to finish

*the most painful battle published hystg denny wattpad* - Aug 14 2023

web oct 15 2021 20 5k parts 1 start reading haveyoueenthisgirl complete first published jun 27 2013 tamad feeling gangster war freak kontento na si pierce usada sa

*hurt stories wattpad* - Oct 04 2022

web ang aking damdamin para sa the most painful battle warning punong puno ng spoiler ito winarningan kita ha ikaw ang makulit tatlong beses na ipost ang the

**the most painful battle by haveyoueenthisgirl** - Jan 07 2023

web 1 2k stories sort by hot 1 mismatch a sumellika fanfiction by beatking fanfics 72 1k 7 1k 66 dear sumedh as you wish i am leaving your life forever i wish you to

*the painful battle plain wattpad* - May 11 2023

web may 25 2014 3 4k 26 ni wpphil dedicated kay haveyoueenthisgirl title the most painful battle author haveyoueenthisgirl genre romance humor status completed

*ang aking damdamin para sa the most painful battle tumblr* - Aug 02 2022

web see more of the most painful battle by haveyoueenthisgirl on facebook log in forgot account or create new account not now related pages mela brio gaming

**the most painful battle by haveyoueenthisgirl facebook** - May 31 2022

web the most painful battle is now on wattpad the most painful battle wattpad com story 6514899 the most painful battle admin christmas

**painful stories wattpad** - Nov 05 2022

web jan 1 2013 buy on amazon rate this book the most painful battle haveyoueenthisgirl 4 27 88 ratings9 reviews si pierce usada ay isang gangster

**the most painful battle by haveyouseenthisgirl wattpad** - Apr 10 2023

web read the most painful battle finished from the story best wattpad stories ever by lj pinkprincess louiseeee with 728 reads detective school humor summa

**economics p1 june examination 2019 marking guidelines m** - May 16 2023

web grade 11 economics p1 june examination 2019 marking guidelines m marks 150 these marking guidelines consist of 13 pages demo nw june ecom emis 6 section a compulsory question 1 1 1 multiple choice 1 1 1 c entrepreneur 1 1 2 a capital intensive 1 1 3 1 1 4 c double counting d transfer payment

**gr11 ecn p1 english june 2019 question paper pdf scribd** - Apr 15 2023

web provincial examination june 2019 grade 11 economics paper 1 13 pages p t o economics 2 paper 1 grade 11 gauteng department of education provincial examination economics paper 1 time 2 hours marks 150 instructions and information 1

**download economics grade 11 past exam papers and memos** - Nov 10 2022

web good luck with your grade 11 studies where to find latest economics grade 11 past exam papers and memos updated list of the downloadable papers by years 2022 papers 2021 papers april and june 2020 papers november afrikaans and english 2018 papers november more grade 11 study resources list of the downloadable papers by years

*past year exam question papers answers economics tuition* - Apr 03 2022

web on our website at economicstuition com feel free to use all the past year exam question papers for your answer modeling needs you can access the following a levels h2 economics a levels h1 economics h2 jc economics h1 jc economics if you require any specific year s answers for past exam paper for economics let us know at

**grade 11 economics p1 june exam pdf** - Jul 18 2023

web grade 11 economics p1 june exam ugc net paper 1 30 solved papers 2004 to 2018 may 31 2020 30 solved papers of ugc net paper 1 exam 2004 2018 consists of past years authentic solved papers from 2018 phase ii to 2004 phase ii the solutions have been prepared after a thorough research

gg grade 11 north west - Jan 12 2023

web gg grade 11 economics p1 memorandum june examination 2018 2018marking guideline 20 marks 150 this question paper consists of 14 pages question 1 1 1 1 b natural resource 1 1 2 c entrepreneurial ability and profit 1 1 3 d households are sellers in the resource market 1 1 4 c personal consumption

**gr11 economics p1 eng nov question paper studocu** - Jun 05 2022

web provincial examination november 2021 grade 11 economics paper 1 time 2 hours marks 150 13 pages economics paper 1 grade 11 2 instructions and information answer four questions as follows in the answer book section a compulsory section b answer two of the three

**economics grade 11 exam papers and memos 2021 my courses** - Mar 02 2022

web sep 22 2021 economics grade 11 2021 june questions and answers from past papers and memos pdf economics grade 11 2020 november questions and answers from past papers and memos pdf economics grade 11 2018 november questions and answers from past papers and memos pdf economics grade 11 2022 november questions

**gr11 economics p1 eng nov possible answers studocu** - May 04 2022

web marking guidelines economics paper 1 grade 11 question 3 economic pursuits 40 marks 30 mins 3 answer the following questions 3 1 name any two components of monetary policy repo rate interest rate cash reserve requirements open market transactions moral suasion 2 x 1 2

**grade 11 economics exam papers and memos 2023 economics grade 11 exam** - Dec 11 2022

web oct 23 2023 what are the key topics covered in the economics grade 11 exams the key topics covered in the economics grade 11 exams are important to understand for your exam preparation these topics include supply and demand market structures economic systems inflation unemployment fiscal and monetary policy international trade

**economics p1 june examination 2019 north west** - Sep 20 2023

web grade 11 economics p1 june examination 2019 this question paper consists of 12 pages demo nw june ecom emis 6 instructions and information answer four questions as follows in the answer book section a compulsory section b answer two of the three questions section c answer one of the two

*grade 11 economics exam papers testpapers* - Aug 19 2023

web past exam papers for grade 11 economics 2023 2012 past march june september and november exam papers memos available in afrikaans and english download all question papers for free

grade 11 economics paper 1 june exam pdf learn copyblogger - Aug 07 2022

web this extraordinary book aptly titled grade 11 economics paper 1 june exam written by a very acclaimed author immerses readers in a captivating exploration of the significance of language and its profound affect our existence

economics p1 june examination 2018 north west - Jun 17 2023

web grade 11 economics p1 june examination 2018 this question paper consists of 12 pages demo nw june ecom emis 6 instructions and information answer four questions as follows in the answer book section a compulsory section b answer two of the three questions section c answer one of the two

*economics 11 stanmore secondary* - Sep 08 2022

web sep 12 2023 exam papers and study notes for grade 10 11 and 12 menu home about physical science grade 12 economics 11 share past year exam papers updated 2023 09 12 2023 kzn march qp and memo limpopo june p1 and memo advertisement limpopo september qp and memo 2022 march qp and memo

**economics grade 11 previous exam papers and memos for 2020** - Oct 09 2022

web may 28 2021 list of economics grade 11 previous exam papers and memos for 2020 paper 1 econ p1 gr11 memo nov 2020 f download econ p1 gr11 memo nov 2020 download econ p1 gr11 memo nov2020 afr d download econ p1 gr11 memo nov2020 eng d download econ p1 gr11 qp memo nov2020 afr d download

*economics gr 11 paper 1 pdf course hero* - Feb 13 2023

web economics p1 grade 11 nw june exam 2019 3 3 study the extract below and answer the questions that follow sa s key economic sectors south africa has been traditionally rooted in the primary sectors the results of a wealth of mineral resources and favourable agricultural conditions

**grade 11 economics p1 june exam orientation sutd edu sg** - Jul 06 2022

web grade 11 economics p1 june exam grade 11 economics p1 june exam archives philly com grade 11 may june exam booklet 2016 tuition fees at feu and other universities in metro manila cia exam part 3 tips quick fix to your study strategy answers a place to go for all the questions and answers

*economics grade 11 exam papers and memos 2023 pdf download* - Oct 21 2023

web may 15 2023 download grade 11 economics papers and memorandum pdf economics grade 11 exam papers and memos for 2023 can be downloaded below these papers and memos are essential for any grade 11 economics student as they provide valuable practice for the upcoming exams

**gr11 ec p1 eng june 2022 question paper studocu** - Mar 14 2023

web provincial examination june 2022 grade 11 economics paper 1 time 2 hours marks 150 14 pages paper 1 grade 11 2 instructions and information answer four questions as follows in the answer book section a compulsory section b answer any two of the three questions section c