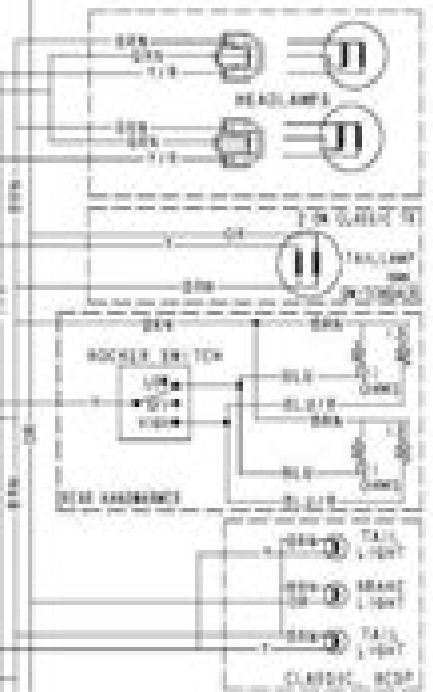
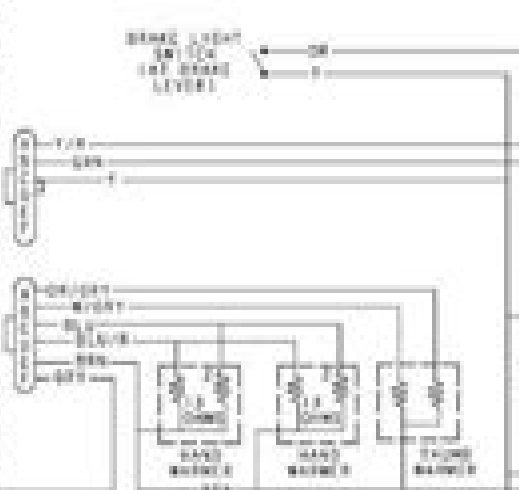
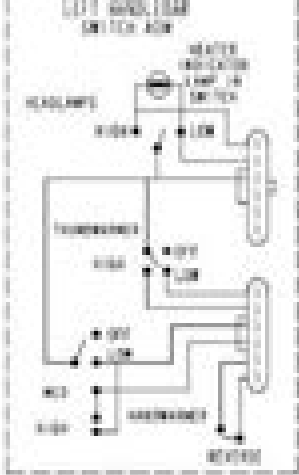
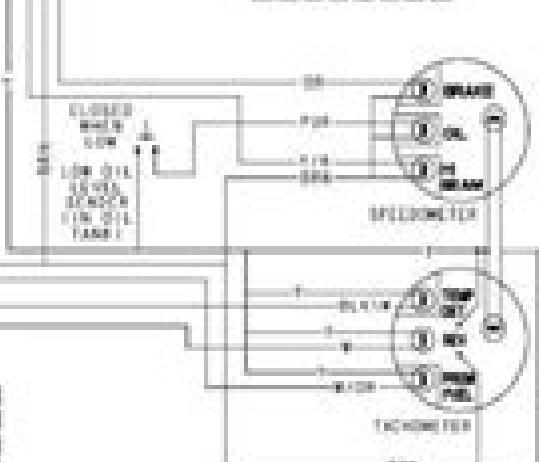
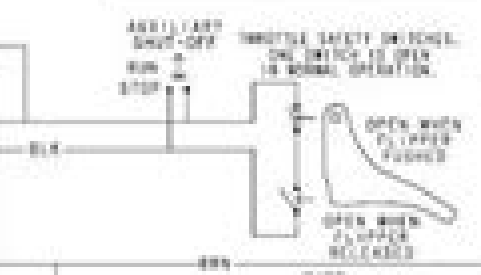
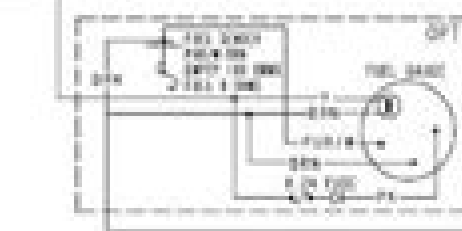
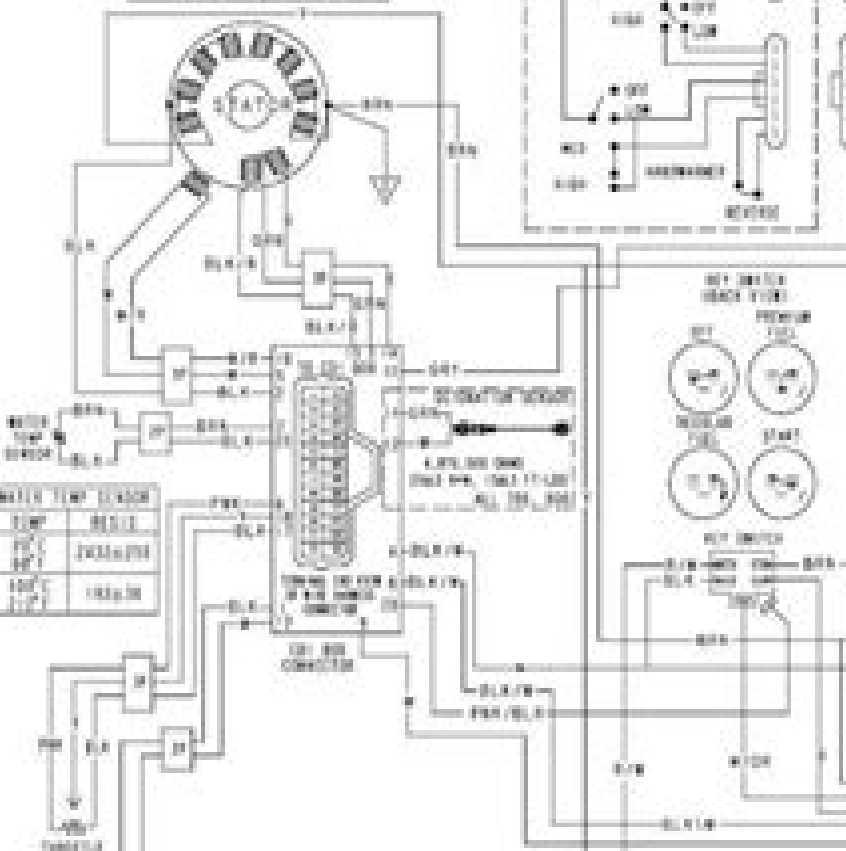


WIRE COLOR	RESISTANCE VALUE
Y TO BRN	4.7 OHMS
GRN TO BLK	10 OHMS
GRN TO BRN	20 OHMS
GRN TO Y	15 OHMS
W TO BRN	50 OHMS
BRN	GROUND



WIRE COLOR	RESISTANCE VALUE
GRN	2000 OHMS
GRN	1000 OHMS

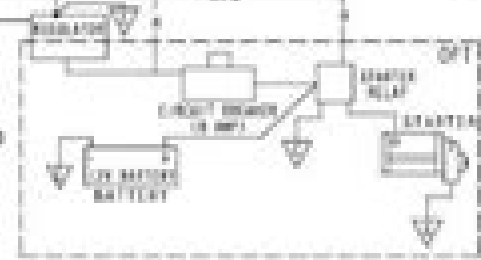


SWITCH COLOR	RESISTANCE VALUE
BLACK TO WHITE	1 OHM
BLACK TO SECONDARY LEAD	OPEN
PURP LEAD TO PURP LEAD	10 OHMS
GRN TO GRN FOR CAPS	10 OHMS FOR CAPS

- GRN = GREEN
- BRN = BROWN
- BLK = BLACK
- WHI = WHITE
- YEL = YELLOW
- RED = RED
- BLU = BLUE
- OR = ORANGE
- PUR = PURPLE
- TRC = TRUCK
- W = WIRE

THE COLOR WIRE ARE SHOWN WITH  
 MIN THICK COATING, EXCEPT  
 GRN - RED WITH YELLOW COATING

NC = SWITCH NORMALLY CLOSED  
 NO = SWITCH NORMALLY OPEN



OPT = OPTIONAL ON  
 SOME MODELS

# Polaris Trailblazer 250 Troubleshooting

**Richard Bailey**



## **Polaris Trailblazer 250 Troubleshooting:**

Aircraft & Missiles ,1961      **Backpacker** ,2000-03 Backpacker brings the outdoors straight to the reader s doorstep inspiring and enabling them to go more places and enjoy nature more often The authority on active adventure Backpacker is the world s first GPS enabled magazine and the only magazine whose editors personally test the hiking trails camping gear and survival tips they publish Backpacker s Editors Choice Awards an industry honor recognizing design feature and product innovation has become the gold standard against which all other outdoor industry awards are measured      **Popular**

**Photography** ,1990-01      **Popular Photography** ,1990-02      **Popular Photography** ,1989-12      **Forthcoming Books**  
Rose Army,2001-08      Popular Photography ,1990      Polaris ATVs 250-800cc, '98-'07 Alan Ahlstrand,Ken  
Freund,2018-05-01 Each Haynes manual provides specific and detailed instructions for performing everything from basic maintenance and troubleshooting to a complete overhaul of the machine in this case the Polaris ATVs 250 800cc model years 1998 through 2007 Do it yourselfers will find this service and repair manual more comprehensive than the factory manual making it an indispensable part of their tool box A typical Haynes manual covers general information troubleshooting lubrication and routine maintenance engine top end engine lower end primary drive clutch and external shift mechanism transmission and internal shift mechanism engine management system electrical system wheels tires and drivebelt front suspension and steering rear suspension brakes body and color wiring diagrams An index makes the manual easy to navigate

**Clymer Polaris Sportsman 400, 450 & 500, 1996-2010** Ed Scott,2010      *Clymer Polaris Ranger 800, 2010-2014*  
Haynes Publishing,2017-10-25 The Clymer Polaris Ranger 800 2010 2014 Repair Manual features complete maintenance and repair information for the Polaris RZR 800 built during model years 2008 2014 More than 700 Photos guide the reader through every job Where possible tools developed by the writers during the disassembly and reassembly of the machine are described in the text to save the reader from spending hundreds of dollars on factory tools Each manual features quick reference data plus chapters on Troubleshooting Lubrication maintenance and tune up Engine top end Engine lower end Clutch and drivebelt system Transmission Engine management system Electrical system Cooling system Wheels hubs and tires Front suspension steering and front gearcase Rear suspension and rear gearcase Brakes Body Wiring diagrams

**Polaris ATV Owners Workshop Manual** Alan Ahlstrand,John Harold Haynes,2004 The purpose of this manual is to help you get the best value from your ATV It can help you decide what work must be done even if you choose to have it done by a dealer service department or a repair shop it provides information and procedures for routine maintenance and servicing and it offers diagnostic and repair procedures to follow when trouble occurs This book should allow you to tackle any job yourself nbs      Clymer Polaris RZR 800 2008-2014 Haynes Publishing,2017-10-21 The Polaris RZR 800 off road vehicles are very popular and built with precision engineering to ensure a long life With the help of the Clymer Polaris RZR 800 2008 2014 Repair Manual in your toolbox you will be able to maintain service and repair your RZR 800 to extend the life of your

machine for years to come Clymer manuals are very well known for their thorough and comprehensive nature This manual is loaded with step by step procedures along with detailed photography exploded views charts and diagrams to enhance the steps associated with a service or repair task This Clymer manual is organized by subsystem with procedures grouped together for specific topics such as front suspension brake system engine and transmission It includes color wiring diagrams The language used in this Clymer repair manual is targeted toward the novice mechanic but is also very valuable for the experienced mechanic The service manual by Clymer is an authoritative piece of DIY literature and should provide you the confidence you need to get the job done and save money too

*Polaris Snowmobile 90-95* Penton Staff,2000-05-24 400 440 500 650 Classic RXL Sport Touring Super Sport Trail and XLT models manual *Polaris Sportsman 400, 450 & 500 1996-2013 Manual* Penton Staff,2000-05-24 Sportman 400 2001 2005 Sportsman 450 2006 2007 Sportsman 450 Browning Edition 2006 Sportsman 500 1996 2010 Sportsman 500 RSE 2000 2002 Sportsman 500 DUSE 2001 2002 Sportsman 500 HO 2001 2006 2008 2010 Sportsman 500 X2 2006 2010 Sp **Polaris Sportsman 600, 700, & 800 Series 2002-2010** Penton Staff,2000-05-24 Sportsman 600 2003 2005 Sportsman 700 2002 2006 Sportsman 700 EFI 2004 2007 Sportsman 700 EFI X2 2008 Sportsman MV7 2005 2006 Sportsman 800 EFI 2005 2010 Sportsman 800 EFI X2 2007 2009 Sportsman 800 EFI Touring 2008 2009 **Polaris Predator 2003-2007** Penton Staff,2000-05-24 Predator 500 2003 2007 Predator 500 Troy Lee Designs 2005 2006 **Polaris Scrambler 500 ATV** Penton Staff,2000-05-24 Scrambler 500 4x4 1997 2000

## Reviewing **Polaris Trailblazer 250 Troubleshooting**: Unlocking the Spellbinding Force of Linguistics

In a fast-paced world fueled by information and interconnectivity, the spellbinding force of linguistics has acquired newfound prominence. Its capacity to evoke emotions, stimulate contemplation, and stimulate metamorphosis is really astonishing. Within the pages of "**Polaris Trailblazer 250 Troubleshooting**," an enthralling opus penned by a very acclaimed wordsmith, readers attempt an immersive expedition to unravel the intricate significance of language and its indelible imprint on our lives. Throughout this assessment, we shall delve in to the book is central motifs, appraise its distinctive narrative style, and gauge its overarching influence on the minds of its readers.

[https://crm.avenza.com/results/book-search/default.aspx/Research\\_Paper\\_Essays.pdf](https://crm.avenza.com/results/book-search/default.aspx/Research_Paper_Essays.pdf)

### **Table of Contents Polaris Trailblazer 250 Troubleshooting**

1. Understanding the eBook Polaris Trailblazer 250 Troubleshooting
  - The Rise of Digital Reading Polaris Trailblazer 250 Troubleshooting
  - Advantages of eBooks Over Traditional Books
2. Identifying Polaris Trailblazer 250 Troubleshooting
  - Exploring Different Genres
  - Considering Fiction vs. Non-Fiction
  - Determining Your Reading Goals
3. Choosing the Right eBook Platform
  - Popular eBook Platforms
  - Features to Look for in an Polaris Trailblazer 250 Troubleshooting
  - User-Friendly Interface
4. Exploring eBook Recommendations from Polaris Trailblazer 250 Troubleshooting
  - Personalized Recommendations
  - Polaris Trailblazer 250 Troubleshooting User Reviews and Ratings
  - Polaris Trailblazer 250 Troubleshooting and Bestseller Lists

5. Accessing Polaris Trailblazer 250 Troubleshooting Free and Paid eBooks
  - Polaris Trailblazer 250 Troubleshooting Public Domain eBooks
  - Polaris Trailblazer 250 Troubleshooting eBook Subscription Services
  - Polaris Trailblazer 250 Troubleshooting Budget-Friendly Options
6. Navigating Polaris Trailblazer 250 Troubleshooting eBook Formats
  - ePub, PDF, MOBI, and More
  - Polaris Trailblazer 250 Troubleshooting Compatibility with Devices
  - Polaris Trailblazer 250 Troubleshooting Enhanced eBook Features
7. Enhancing Your Reading Experience
  - Adjustable Fonts and Text Sizes of Polaris Trailblazer 250 Troubleshooting
  - Highlighting and Note-Taking Polaris Trailblazer 250 Troubleshooting
  - Interactive Elements Polaris Trailblazer 250 Troubleshooting
8. Staying Engaged with Polaris Trailblazer 250 Troubleshooting
  - Joining Online Reading Communities
  - Participating in Virtual Book Clubs
  - Following Authors and Publishers Polaris Trailblazer 250 Troubleshooting
9. Balancing eBooks and Physical Books Polaris Trailblazer 250 Troubleshooting
  - Benefits of a Digital Library
  - Creating a Diverse Reading Collection Polaris Trailblazer 250 Troubleshooting
10. Overcoming Reading Challenges
  - Dealing with Digital Eye Strain
  - Minimizing Distractions
  - Managing Screen Time
11. Cultivating a Reading Routine Polaris Trailblazer 250 Troubleshooting
  - Setting Reading Goals Polaris Trailblazer 250 Troubleshooting
  - Carving Out Dedicated Reading Time
12. Sourcing Reliable Information of Polaris Trailblazer 250 Troubleshooting
  - Fact-Checking eBook Content of Polaris Trailblazer 250 Troubleshooting
  - Distinguishing Credible Sources
13. Promoting Lifelong Learning

- Utilizing eBooks for Skill Development
  - Exploring Educational eBooks
14. Embracing eBook Trends
- Integration of Multimedia Elements
  - Interactive and Gamified eBooks

### **Polaris Trailblazer 250 Troubleshooting Introduction**

In this digital age, the convenience of accessing information at our fingertips has become a necessity. Whether its research papers, eBooks, or user manuals, PDF files have become the preferred format for sharing and reading documents. However, the cost associated with purchasing PDF files can sometimes be a barrier for many individuals and organizations. Thankfully, there are numerous websites and platforms that allow users to download free PDF files legally. In this article, we will explore some of the best platforms to download free PDFs. One of the most popular platforms to download free PDF files is Project Gutenberg. This online library offers over 60,000 free eBooks that are in the public domain. From classic literature to historical documents, Project Gutenberg provides a wide range of PDF files that can be downloaded and enjoyed on various devices. The website is user-friendly and allows users to search for specific titles or browse through different categories. Another reliable platform for downloading Polaris Trailblazer 250 Troubleshooting free PDF files is Open Library. With its vast collection of over 1 million eBooks, Open Library has something for every reader. The website offers a seamless experience by providing options to borrow or download PDF files. Users simply need to create a free account to access this treasure trove of knowledge. Open Library also allows users to contribute by uploading and sharing their own PDF files, making it a collaborative platform for book enthusiasts. For those interested in academic resources, there are websites dedicated to providing free PDFs of research papers and scientific articles. One such website is Academia.edu, which allows researchers and scholars to share their work with a global audience. Users can download PDF files of research papers, theses, and dissertations covering a wide range of subjects. Academia.edu also provides a platform for discussions and networking within the academic community. When it comes to downloading Polaris Trailblazer 250 Troubleshooting free PDF files of magazines, brochures, and catalogs, Issuu is a popular choice. This digital publishing platform hosts a vast collection of publications from around the world. Users can search for specific titles or explore various categories and genres. Issuu offers a seamless reading experience with its user-friendly interface and allows users to download PDF files for offline reading. Apart from dedicated platforms, search engines also play a crucial role in finding free PDF files. Google, for instance, has an advanced search feature that allows users to filter results by file type. By specifying the file type as "PDF," users can find websites that offer free PDF downloads on a specific topic. While downloading Polaris Trailblazer 250

Troubleshooting free PDF files is convenient, its important to note that copyright laws must be respected. Always ensure that the PDF files you download are legally available for free. Many authors and publishers voluntarily provide free PDF versions of their work, but its essential to be cautious and verify the authenticity of the source before downloading Polaris Trailblazer 250 Troubleshooting. In conclusion, the internet offers numerous platforms and websites that allow users to download free PDF files legally. Whether its classic literature, research papers, or magazines, there is something for everyone. The platforms mentioned in this article, such as Project Gutenberg, Open Library, Academia.edu, and Issuu, provide access to a vast collection of PDF files. However, users should always be cautious and verify the legality of the source before downloading Polaris Trailblazer 250 Troubleshooting any PDF files. With these platforms, the world of PDF downloads is just a click away.

### **FAQs About Polaris Trailblazer 250 Troubleshooting Books**

How do I know which eBook platform is the best for me? Finding the best eBook platform depends on your reading preferences and device compatibility. Research different platforms, read user reviews, and explore their features before making a choice. Are free eBooks of good quality? Yes, many reputable platforms offer high-quality free eBooks, including classics and public domain works. However, make sure to verify the source to ensure the eBook credibility. Can I read eBooks without an eReader? Absolutely! Most eBook platforms offer web-based readers or mobile apps that allow you to read eBooks on your computer, tablet, or smartphone. How do I avoid digital eye strain while reading eBooks? To prevent digital eye strain, take regular breaks, adjust the font size and background color, and ensure proper lighting while reading eBooks. What the advantage of interactive eBooks? Interactive eBooks incorporate multimedia elements, quizzes, and activities, enhancing the reader engagement and providing a more immersive learning experience. Polaris Trailblazer 250 Troubleshooting is one of the best book in our library for free trial. We provide copy of Polaris Trailblazer 250 Troubleshooting in digital format, so the resources that you find are reliable. There are also many Ebooks of related with Polaris Trailblazer 250 Troubleshooting. Where to download Polaris Trailblazer 250 Troubleshooting online for free? Are you looking for Polaris Trailblazer 250 Troubleshooting PDF? This is definitely going to save you time and cash in something you should think about.

### **Find Polaris Trailblazer 250 Troubleshooting :**

[research paper essays](#)



**report on puerto rico**

resistance isa aqa method

research papers on drunk driving

**reset check engine light 2006 chevy silverado**

*resistance welding manual*

requirement for kmte

**reset honda accord maintenance required light**

research papers parenting

*requiem a kate redman mystery book 2 the kate redman mysteries*

resident evil directors cut guide

~~reset all notification of nokia asha 2055~~

research paper font

**reprisal meet bill book 2**

research paper introduction length

## **Polaris Trailblazer 250 Troubleshooting :**

**west sweden wikipedia** - May 08 2023

web geography it is located in the south west of the country centered on västra götaland county and the city of gothenburg after stockholm it is the second most populated region it borders with norway and the riksområden of north middle sweden east middle sweden småland and the islands and south sweden

**central sweden west regional maps sweden book** - Jul 30 2022

web this central sweden west regional maps sweden as one of the most practicing sellers here will totally be in the midst of the best options to review epidemiology for public health practice robert h friis 2009 review now in its fourth edition this best

**central sweden combining city life and nature experiences visit sweden** - Feb 05 2023

web central sweden offers a wide variety of places to visit from the capital of stockholm in the east to the vast forests in the west stockholm offers a mix of urban adventures and centuries old history with the archipelago just a boat ride away

provinces of sweden wikipedia - Jun 09 2023

web historically sweden was seen as containing four lands larger regions götaland southern sweden svealand central sweden Österland finland from the 13th century to 1809 norrland northern parts of present day sweden and north western finland

**free central sweden west regional maps sweden** - Aug 31 2022

web central sweden west regional maps sweden population maps of the western hemisphere apr 10 2021 a catalogue of the permanent map collection western regional library canadian wildlife service jun 24 2022 minnesota west metro area fishing map guide may 24 2022 newly updated for 2016 the minnesota west metro

**central sweden travel guide what to do in central sweden** - Jan 04 2023

web returns refunds shipping plan your visit to central sweden sweden find out where to go and what to do in central sweden with rough guides read about itineraries activities places to stay and travel essentials and get inspiration from the blog in the best guide to central sweden

**sweden map europe maps of world** - Mar 26 2022

web jan 11 2023 sweden political map displays the different administrative divisions which constitute to form the kingdom of sweden the country borders with countries like finland and norway and also with baltic sea and gulf of bothnia stockholm is the capital of the country situated near the coast the geographical coordinates of the country are 62

west sweden cultural and culinary treats and varied nature visit sweden - Nov 02 2022

web nov 30 2021 west sweden is a region with much to offer on many levels the landscape is varied ranging from the enchanted lake studded forest found in dalsland and västergötland to the spectacular bohuslän archipelago which begins just north of gothenburg and stretches 280 kilometres north all the way to the norwegian border

**political map of sweden nations online project** - Mar 06 2023

web the map shows sweden officially the kingdom of sweden one of the scandinavian countries the nordic country is located in northern europe bounded by the baltic sea the gulf of bothnia the kattegat the skagerrak and the Öresund straits

**map of sweden sweden regions rough guides** - Sep 12 2023

web oct 17 2020 regions of sweden stretching from the baltic sea to the arctic circle sweden has everything from glorious beaches and medieval towns to vast forests and crystal clear lakes at its heart is style conscious stockholm the breathtaking capital built on fourteen islands

**geography of sweden wikipedia** - Aug 11 2023

web map of sweden much of sweden is heavily forested with 69 1 of the country being forest and woodland while farmland constitutes only 8 of land use 2 sweden consists of 39 960 km 2 of water area constituting around 95 700 lakes 3 a the lakes are sometimes used for water power plants especially the large northern rivers and lakes

central sweden west regional maps sweden pdf - Apr 26 2022

web the west indies and the spanish main gothenburg and sweden s west coast mapping the west european left mental maps caledonian geology of the kvarnbergsvattnet area northern jämtland central sweden map skills europe ebook the journey of maps and images on the silk road

*central sweden west regional maps sweden pdf* - May 28 2022

web central sweden west regional maps sweden surveying and mapping oil possibilities in and around baxter basin in the rock springs uplift sweetwater county wyoming

*central sweden west regional maps sweden* - Feb 22 2022

web central sweden west regional maps sweden 1 downloaded from old restorativejustice.org on 2021 02 28 by guest central sweden west regional maps sweden as recognized adventure as without difficulty as experience nearly lesson amusement as well as arrangement can be gotten by just checking out a ebook central sweden west

**central sweden west regional maps sweden pdf book** - Jun 28 2022

web jun 6 2023 central sweden west regional maps sweden pdf is available in our digital library an online access to it is set as public so you can download it instantly our book servers saves in multiple countries allowing you to get the most less latency time to download any of our books like this one

**sweden map sweden map location northern europe europe** - Oct 01 2022

web sweden is bordered by 3 countries by finland in the east by norway in the north and west by denmark in the southwest via a bridge tunnel through oresund strait as you can see in sweden map it is bounded by the gulf of bothnia and the baltic sea in the east and south and by the skagerrak and kattegat straits in the southwest

**sweden wikipedia** - Apr 07 2023

web despite northerly locations southern and central sweden may have almost no snow in some winters most of sweden is located in the rain shadow of the scandinavian mountains through norway and north west sweden

**central sweden west regional maps sweden pdf 2023** - Dec 03 2022

web oecd 2012 03 09 the oecd territorial review of småland blekinge presents an overview of recent trends regional policies and governance arrangements of this region that is made up of four counties in south east sweden jönköping kronoberg kalmar and blekinge

**sweden maps facts world atlas** - Oct 13 2023

web feb 24 2021 as observed on the physical map of sweden to the north above the arctic circle sweden is rugged with snow covered mountains and thick forests central sweden is dominated by lower mountains in the west that give way to heavily forested hills and ridges dozens and dozens of rivers and an estimated 101 000 lakes

regions of sweden wikipedia - Jul 10 2023

web a regional council swedish region is a self governing local authority there are 21 regional councils one of which is a municipality having the same responsibilities as a county council each corresponding to a county

**using and understanding java data objects google books** - Jul 30 2023

jan 1 2008 using and understanding java data objects david ezzio apress jan 1 2008 computers 456 pages java data objectcs jdo specifies a transparent persistence service for java objects

**apress using understanding java data objects github** - Dec 23 2022

this repository accompanies using and understanding java data objects by david ezzio apress 2003 download the files as a zip using the green button or clone the repository to your machine using git releases release v1 0 corresponds to the code in the published book without corrections or updates contributions

java data objects wikipedia - Oct 21 2022

java data objects jdo is a specification of java object persistence one of its features is a transparency of the persistence services to the domain model jdo persistent objects are ordinary java programming language classes there is no requirement for them to implement certain interfaces or extend from special

**using and understanding java data objects flylib** - Jul 18 2022

using and understanding java data objects 2005 isbn 1590590430 ean 1590590430 by ezzio d

what is an object the java tutorials learning the java - Jun 16 2022

objects are key to understanding object oriented technology look around right now and you ll find many examples of real world objects your dog your desk your television set your bicycle real world objects share two characteristics they all have state and behavior dogs have state name color breed hungry and behavior barking

**using and understanding java data objects net framework** - Aug 19 2022

using jdo to learn more the jdo learning tools are a small but comprehensive set of programs that you can use for several purposes you can use them as an introduction to jdo you can use them to verify what you have learned about t jdo most importantly you can use them to learn more the first five jdo learning tools are discussed in this

**objects the java tutorials learning the java language** - Feb 10 2022

objects a typical java program creates many objects which as you know interact by invoking methods through these object interactions a program can carry out various tasks such as implementing a gui running an animation or sending and receiving information over a network

using and understanding java data objects ezzio david free - May 28 2023

1 online resource xxix 426 pages

using and understanding java data objects springerlink - Oct 01 2023

about this book java data objectcs jdo specifies a transparent persistence service for java objects the specification describes a general framework for storing and retrieving the per sistent state ofjava objects the jsr 12 expert group defined jdo using the using and understanding java data objects amazon com - Mar 26 2023

jun 6 2003 using and understanding java data objects ezzio david on amazon com free shipping on qualifying offers using and understanding java data objects

**using and understanding java data objects worldcat org** - Feb 22 2023

using and understanding java data objects book 2003 worldcat org reliable information about the coronavirus covid 19 is available from the world health organization current situation international travel numerous and frequently updated resource results are available from this worldcat org search

*enhancement using and understanding java data objects flylib* - Sep 19 2022

table of content next page enhancement adds code to the application data classes to integrate them with jdo as a result of enhancement the enhanced class implements the persistencecapable interface when jdo acts on an application data object it acts on it as a persistencecapable object

using objects the java tutorials learning the java - Mar 14 2022

object fields are accessed by their name you must use a name that is unambiguous you may use a simple name for a field within its own class for example we can add a statement within the rectangle class that prints the width and height system out println width and height are width height in this case width and height are

**the query interface using and understanding java data objects** - Nov 21 2022

using transient application data objects and objects of classes that are not persistence capable for parameter values is not portable across jdo implementations declaring the query s variables the query interface provides a method to declare

*java data objects guide books acm digital library* - Jan 24 2023

oct 1 2002 search acm digital library search search advanced search

using and understanding java data objects guide books - Jun 28 2023

jun 1 2003 using and understanding java data objects is an application programmer s guide to the java data objects jdo specification recently accepted by the java community process jdo provides a universal and transactional persistence service for objects

*using and understanding java data objects flylib* - May 16 2022

in order to provide persistent services for the application s data objects jdo must manage the objects within a java virtual machine jvm jdo manages some objects and does not manage other objects if jdo manages an object it manages its persistent state or its transactional state or both

*using and understanding java data objects pdf beta atanet* - Apr 14 2022

2 using and understanding java data objects 2020 02 16 applications with this practical book java software engineers looking to add data science skills will take a logical journey through the data science

**d ezzio using and understanding java data objects springer** - Apr 26 2023

managers using a persistence manager the application can control the life cycle and caching of application data objects it can get the identity object for a persistent application data object and it can later fetch the persistent object that corresponds to an identity object finally the persistence manager interface has factory methods

**guide to java data objects baeldung** - Aug 31 2023

mar 28 2023 the java data objects is an api designed for persisting object oriented data into any database and providing a user friendly query language using the java syntax in this article we are going to see how to use the jdo api for persisting our objects in a database

**ik mian do talwaran nanak singh amazon in books** - Jul 08 2022

web details sold by shilalekh publishers see all 2 images ik mian do talwaran paperback 1 january 2012 punjabi edition by nanak singh author 30 ratings see all formats and

*all writings of nanak singh rekhta* - Jun 19 2023

web nanak singh collection of short stories articles and ebooks in urdu hindi english read more about nanak singh and access their famous audio video and ebooks

**nanak singh author of chitta lahu goodreads** - Oct 11 2022

web join goodreads nanak singh s followers 369 born in chak hamid pakistan july 04 1897 died december 28 1971 genre fiction edit data combine editions nanak singh s books average rating 4 15 1 785 ratings 139 reviews 60 distinct works similar authors more books by nanak singh

**nanak singh harpercollins publishers india books novels** - Jan 14 2023

web nanak singh 1897 1971 is widely regarded as the father of the punjabi novel with little formal education beyond the fourth grade he wrote an astounding fifty nine books which included thirty eight novels and an assortment of plays short stories poems essays and even a set of translations

**amazon in nanak singh books** - Apr 17 2023

web jan 1 2012 nanak singh dian shreshth kahanian hardcover jan 01 2014 by nanak singh punjabi edition by nanak singh 1 january 2014 79 hardcover 195 m r p 350 44 off get it by wednesday 5 july only 1 left in stock more buying choices 136 7 new offers poems from the guru granth sahib

**ik miyan do talwaran indian novels collective** - Apr 05 2022

web about the author widely regarded as the father of modern punjabi novel nanak singh wrote an astounding fifty nine books which included thirty eight novels and an assortment of plays short stories poems essays and even a set of translations he gave a new turn to punjabi short story investing it with pace and finesse

**saintly sinner pavitra paapi by nanak singh goodreads** - Mar 16 2023

web nanak singh 4 23 466 ratings 43 reviews this book tells the story of kedar a young man who through life s sometimes cruel plays ends up affecting and impacting on the world and happiness of panna lal and his family this book is set in 1930 s punjab before partition and was originally written in the punjabi language

**white blood translated by dilraj singh suri nanak singh** - Dec 13 2022

web jul 19 2010 white blood is one of nanak singh s popular novels published first in 1932 and later reprinted in dozens of subsequent editions white blood has literary as well as historical importance in

**pavitar papi punjabi novel hardcover jan 01 2015 by nanak singh** - May 06 2022

web nanak singh pavitar papi punjabi novel hardcover jan 01 2015 by nanak singh hardcover punjabi edition 4 7 174 ratings see all formats and editions hardcover

*nanak singh wikipedia* - Aug 21 2023

web nanak singh b 4 july 1897 as hans raj 28 december 1971 was an indian poet songwriter and novelist of the punjabi language his literary works in support of india s independence movement led the british to arrest him

*nanak singh books buy nanak singh books online at best* - Oct 31 2021

web jan 1 2015 nanak singh books buy nanak singh books online at best prices in india flipkart com up police entrance exam books by aditya kumar from 199 filters categories books biographies memoirs and general non ficton books other books fiction books price to offers special price buy more save more no cost emi

buy hymns in blood online by nanak singh harpercollins india - Jan 02 2022

web by nanak singh navdeep suri 499 00 inclusive of all taxes buy now about the book 1947 chakri an idyllic village on the banks of the soan near rawalpindi surrounded by stalks of golden wheat and festive songs muslims hindus and sikhs eagerly await the end of winter and get together to prepare for lohri

blood and belief on the soan a review of nanak singh s novel - Sep 10 2022

web aug 15 2023 blood and belief on the soan a review of nanak singh s novel on the partition hymns in blood is titled on a verse of the guru granth sahib written during babur s maiden attacks on

*son of khalistan separatist leader says family always suspected* - Dec 21 2020

web sep 20 2023 the son of khalistan separatist leader hardeep singh nijjar says he feels a sense of relief after canadian prime minister justin Trudeau alleged the involvement of indian government agents in

**nanak singh novelist sikh wiki free sikh encyclopedia** - Jun 07 2022

web nanak singh 1897 1971 a prolific writer has been called the father of the punjabi novel he made significant contributions to various literary genres for him character was the determination of incident and incident the illustration of character his

greatest contribution to punjabi fiction is its secularisation

[hardeep singh nijjar death a timeline of recent india canada](#) - Mar 24 2021

web sep 18 2023 world hardeep singh nijjar death a timeline of recent india canada tensions by kanishka singh september 19 2023 28 am pdt updated a day ago 1 3 a sign outside the guru nanak sikh

**chitta lahu wikipedia** - May 18 2023

web punjabi genre novel publication date 1923 1932 1 chitta lahu punjabi ਚਿੱਟਾ ਲਾਹੂ is a punjabi novel written by punjabi novelist nanak singh it was first published in 1932 2 the novel was translated into russian by natalia tolstaya she was tolstoy by marriage

**credible evidence india behind alleged assassination of sikh** - Jun 26 2021

web sep 18 2023 a signboard outside the guru nanak sikh gurdwara temple is seen after the killing on its grounds in june of sikh leader hardeep singh nijjar in surrey british columbia photograph chris

**how hardeep singh nijjar merged a sikh temple and a** - Jul 28 2021

web 10 hours ago share full article rising separatism and a killing at a sikh temple in canada hardeep singh nijjar the sikh leader whose killing has ignited tensions between canada and india increased

**chitta lahu the sikh encyclopedia** - Aug 09 2022

web chitta lahu is nanak singh s first popular novel published first in 1932 later going into dozens of subsequent editions

**books by nanak singh author of chitta lahu goodreads** - Jul 20 2023

web nanak singh has 60 books on goodreads with 15497 ratings nanak singh s most popular book is chitta lahu

**who is hardeep singh nijjar sikh separatist leader murdered in** - Apr 24 2021

web sep 20 2023 hardeep singh nijjar was president of guru nanak sikh gurdwara in surrey in british columbia and killed on 18 june on the gurudwara s premises in india nijjar was listed as a wanted

ਚਿੱਟਾ ਲਾਹੂ ਚਿੱਟਾ ਲਾਹੂ ਚਿੱਟਾ ਲਾਹੂ **nanak singh novel punjabi** - Sep 29 2021

web sep 4 2023 ਚਿੱਟਾ ਲਾਹੂ ਚਿੱਟਾ ਲਾਹੂ ਚਿੱਟਾ ਲਾਹੂ ਚਿੱਟਾ ਲਾਹੂ nanak singh novel punjabi punjabi nanak singh novel singhkaurstory nanak singh novel punjabi punjabi nanak singh novel punja

**pavitar papi punjabi novel nanak singh 9788171680436** - Feb 15 2023

web jan 1 2015 hardcover 16 49 1 used from 25 00 20 new from 16 49 story of a person who by accident becomes a reason for suicide of a person feels guilty and tries to support the family without telling them

**singh nanak 1897 1971 the sikh encyclopedia** - Mar 04 2022

web singh nanak the father of punjabi novel was born at peshawar like most hindu families in the west punjab in those days nanak singh s parents were devoted to the sikh faith their son hans raj embraced sikhism under the influence of the singh



sabha movement of the early twenties and was named nanak singh

**all books and novels by nanak singh jsks online** - Feb 03 2022

web nanak singh buy books by nanak singh buy all novels by nanak singh online website of nanak singh books punjabi novels by nanak singh

*who was hardeep singh nijjar canada says india was behind* - May 26 2021

web 2 days ago who was the man whose killing canada says india instigated prime minister justin trudeau of canada accused indian agents of involvement in the killing of a sikh separatist in british columbia who

**chief of dubai s guru nanak darbar gurdwara visits gndu** - Aug 29 2021

web 3 hours ago navdeep singh suri gave the detailed information about the rare books manuscripts complete literature various honours received by him his pen and plate all things related to his life

**supporter helped justin business today** - Nov 19 2020

web 1 day ago in the 2021 election jagmeet singh the leader of the new democratic party ndp secured 25 seats subsequently justin trudeau entered into an agreement with jagmeet singh leading to the

**nanak singh books goodreads** - Nov 12 2022

web showing 1 11 of 11 white blood kindle edition by nanak singh shelved 9 times as nanak singh avg rating 4 13 777 ratings published 2012 want to read rate this book 1 of 5 stars 2 of 5 stars 3 of 5 stars 4 of 5 stars 5 of 5 stars

*who is hardeep singh nijjar the sikh leader indian agents* - Jan 22 2021

web sep 18 2023 i know that my life would be in grave danger if i had to go back to my country india he wrote in his affidavit dated june 9 1998 who seeks protection for sikhs in canada after allegations of

[trudeau accuses india s government of involvement in killing of](#) - Feb 20 2021

web sep 18 2023 hardeep singh nijjar stands outside of the guru nanak sikh gurdwara in surrey b c on tuesday july 2 2019 ben nelms cbc prime minister justin trudeau is accusing the government of india

**nanak singh open library** - Dec 01 2021

web sep 30 2020 showing all works by author would you like to see only ebooks 1 2 3 4 5 6 7 8 9 10 next the jap ji the message of guru nanak by nanak singh and khushwant singh first published in 1938 23 editions in 4 languages 1 previewable borrow listen nanak singh rachnavli part nine by nanak singh first published in 1997 10 editions