



# NordicTrack

## T 5.5

[www.nordictrack.com](http://www.nordictrack.com)

Model No. NTL60011.1

Serial No. \_\_\_\_\_

Write the serial number in the space above for reference.



### QUESTIONS?

If you have questions, or if parts are damaged or missing, **DO NOT CONTACT THE STORE**; please contact Customer Care.

**IMPORTANT:** Please register this product (see the limited warranty on the back cover of this manual) before contacting Customer Care.

CALL TOLL-FREE:

**1-800-TO-BE-FIT**

(1-800-862-3348)

Mon.–Fri. 6 a.m.–6 p.m. MT

Sat. 8 a.m.–4 p.m. MT

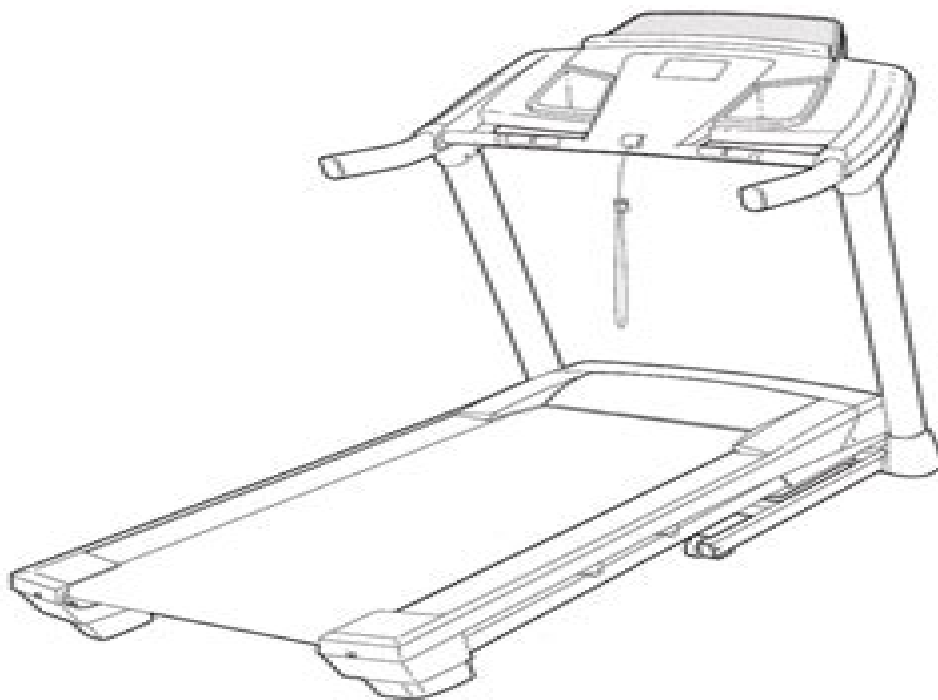
ON THE WEB:

[www.nordictrackservice.com](http://www.nordictrackservice.com)

### ⚠ CAUTION

Read all precautions and instructions in this manual before using this equipment. Keep this manual for future reference.

## USER'S MANUAL



FREE

*iFit*  HOW-TO VIDEOS

[www.iFit.com](http://www.iFit.com)

# Owners Manual For Nordictrack Treadmill

**PT Brinkman**



## **Owners Manual For Nordictrack Treadmill:**

*The Men's Health Home Workout Bible* Lou Schuler, Michael Mejia, Editors of Men's Health Magazine, 2002-11-09 Get bigger biceps broad shoulders a bigger bench press powerful legs cut abs without ever leaving your home The body you want in the space you have The strength you want with the equipment you have The muscles you want in the time you have You don't need to join a gym to get in shape In fact for a lot of guys the gym is an impediment to getting in shape The crowds the inconvenience the intimidation the time the commute by the time you add it all up you could end up investing 2 hours to get 45 minutes of exercise No matter how little space you have no matter how little equipment you have no matter how little time you have you can get the results you want without stepping inside a gym The Men's Health Home Workout Bible by Lou Schuler and Michael Mejia M S C S C S gives you Four full body muscle plans The Body Weight Plan The Dumbbell Plan The Barbell Plan The Multistation Machine Plan Custom training plans for strength fat loss aerobic fitness and sports performance Buying advice for weights benches machines cardio equipment and exercise videos Complete guidelines for turning your home into a state of the art fitness center With beginner intermediate and advanced full body workouts for each type of equipment The Men's Health Home Workout Bible gives you more than 400 exercises altogether photographed and fully described From pushups to power cleans from crunches to jump squats we show you how to get more muscle and strength at home whether you're a complete beginner or a competitive athlete The Men's Health Home Workout Bible is a personal trainer on call 24 hours a day 7 days a week

Artificial Intelligence and Playable Media Eric Freedman, 2022-09-02 This book introduces readers to artificial intelligence AI through the lens of playable media and explores the impact of such software on everyday life From video games to robotic companions to digital twins artificial intelligence drives large sectors of the culture industry where play media and machine learning coexist This book illustrates how playable media contribute to our sense of self while also harnessing our data tightening our bonds with computation and realigning play with the demands of network logic Author Eric Freedman examines a number of popular media forms from the Sony AIBO robotic dog video game developer Naughty Dog's Uncharted and The Last of Us franchises to Peloton's connected fitness equipment to lay bare the computational processes that undergird playable media and addresses the social cultural technological and economic forces that continue to shape user centered experience and design The case studies are drawn from a number of related research fields including science and technology studies media studies and software studies This book is ideal for media studies students scholars and practitioners interested in understanding how applied artificial intelligence works in popular public and visual culture

*Vegetarian Times*, 1994-08 To do what no other magazine does Deliver simple delicious food plus expert health and lifestyle information that's exclusively vegetarian but wrapped in a fresh stylish mainstream package that's inviting to all Because while vegetarians are a great vital passionate niche their healthy way of eating and the earth friendly values it inspires appeals to an increasingly large group of Americans VT's goal To

embrace both **Runner's World** ,1993 **Popular Mechanics** ,1990-04 Popular Mechanics inspires instructs and influences readers to help them master the modern world Whether it s practical DIY home improvement tips gadgets and digital technology information on the newest cars or the latest breakthroughs in science PM is the ultimate guide to our high tech lifestyle **The Rotarian** ,1994-11 Established in 1911 The Rotarian is the official magazine of Rotary International and is circulated worldwide Each issue contains feature articles columns and departments about or of interest to Rotarians Seventeen Nobel Prize winners and 19 Pulitzer Prize winners from Mahatma Ghandi to Kurt Vonnegut Jr have written for the magazine **Reproducibility of Oxygen Consumption, Heart Rate and Perceived Exertion at Selected Submaximal Load Settings on the NordicTrack** Susan Shattuc,1987 The New York Times Magazine ,1994 *Vegetarian Times* ,1994-08 To do what no other magazine does Deliver simple delicious food plus expert health and lifestyle information that s exclusively vegetarian but wrapped in a fresh stylish mainstream package that s inviting to all Because while vegetarians are a great vital passionate niche their healthy way of eating and the earth friendly values it inspires appeals to an increasingly large group of Americans VT s goal To embrace both **Kiplinger's Personal Finance** ,1984-09 The most trustworthy source of information available today on savings and investments taxes money management home ownership and many other personal finance topics Changing Times ,1984 *The AOPA Pilot* ,1995 **Kiplinger's Personal Finance** ,1995-10 The most trustworthy source of information available today on savings and investments taxes money management home ownership and many other personal finance topics U.S. News & World Report ,1995 Rota-Rod Treadmill for Mice : Instruction Manual ,1996 **Volvo 242 244 245 Owner's Manual** ,1977 **The Finisher** ,2013 **Dell Inspiron 9100 Owner's Manual** ,2004 **2022 Hyundai Sonata Hybrid Owner Manual Compatible with OEM Owners Manual, Factory Glovebox Book** Helming,2022-01-17 **The Owner's Manual for the Foldable Rebound Exerciser** ,1987

Discover tales of courage and bravery in Explore Bravery with is empowering ebook, Unleash Courage in **Owners Manual For Nordictrack Treadmill** . In a downloadable PDF format ( \*), this collection inspires and motivates. Download now to witness the indomitable spirit of those who dared to be brave.

[https://crm.avenza.com/files/virtual-library/default.aspx/samsung\\_dvd\\_hd850\\_user\\_guide.pdf](https://crm.avenza.com/files/virtual-library/default.aspx/samsung_dvd_hd850_user_guide.pdf)

## **Table of Contents Owners Manual For Nordictrack Treadmill**

1. Understanding the eBook Owners Manual For Nordictrack Treadmill
  - The Rise of Digital Reading Owners Manual For Nordictrack Treadmill
  - Advantages of eBooks Over Traditional Books
2. Identifying Owners Manual For Nordictrack Treadmill
  - Exploring Different Genres
  - Considering Fiction vs. Non-Fiction
  - Determining Your Reading Goals
3. Choosing the Right eBook Platform
  - Popular eBook Platforms
  - Features to Look for in an Owners Manual For Nordictrack Treadmill
  - User-Friendly Interface
4. Exploring eBook Recommendations from Owners Manual For Nordictrack Treadmill
  - Personalized Recommendations
  - Owners Manual For Nordictrack Treadmill User Reviews and Ratings
  - Owners Manual For Nordictrack Treadmill and Bestseller Lists
5. Accessing Owners Manual For Nordictrack Treadmill Free and Paid eBooks
  - Owners Manual For Nordictrack Treadmill Public Domain eBooks
  - Owners Manual For Nordictrack Treadmill eBook Subscription Services
  - Owners Manual For Nordictrack Treadmill Budget-Friendly Options
6. Navigating Owners Manual For Nordictrack Treadmill eBook Formats

- ePub, PDF, MOBI, and More
  - Owners Manual For Nordictrack Treadmill Compatibility with Devices
  - Owners Manual For Nordictrack Treadmill Enhanced eBook Features
7. Enhancing Your Reading Experience
    - Adjustable Fonts and Text Sizes of Owners Manual For Nordictrack Treadmill
    - Highlighting and Note-Taking Owners Manual For Nordictrack Treadmill
    - Interactive Elements Owners Manual For Nordictrack Treadmill
  8. Staying Engaged with Owners Manual For Nordictrack Treadmill
    - Joining Online Reading Communities
    - Participating in Virtual Book Clubs
    - Following Authors and Publishers Owners Manual For Nordictrack Treadmill
  9. Balancing eBooks and Physical Books Owners Manual For Nordictrack Treadmill
    - Benefits of a Digital Library
    - Creating a Diverse Reading Collection Owners Manual For Nordictrack Treadmill
  10. Overcoming Reading Challenges
    - Dealing with Digital Eye Strain
    - Minimizing Distractions
    - Managing Screen Time
  11. Cultivating a Reading Routine Owners Manual For Nordictrack Treadmill
    - Setting Reading Goals Owners Manual For Nordictrack Treadmill
    - Carving Out Dedicated Reading Time
  12. Sourcing Reliable Information of Owners Manual For Nordictrack Treadmill
    - Fact-Checking eBook Content of Owners Manual For Nordictrack Treadmill
    - Distinguishing Credible Sources
  13. Promoting Lifelong Learning
    - Utilizing eBooks for Skill Development
    - Exploring Educational eBooks
  14. Embracing eBook Trends
    - Integration of Multimedia Elements
    - Interactive and Gamified eBooks

### Owners Manual For Nordictrack Treadmill Introduction

In today's digital age, the availability of Owners Manual For Nordictrack Treadmill books and manuals for download has revolutionized the way we access information. Gone are the days of physically flipping through pages and carrying heavy textbooks or manuals. With just a few clicks, we can now access a wealth of knowledge from the comfort of our own homes or on the go. This article will explore the advantages of Owners Manual For Nordictrack Treadmill books and manuals for download, along with some popular platforms that offer these resources. One of the significant advantages of Owners Manual For Nordictrack Treadmill books and manuals for download is the cost-saving aspect. Traditional books and manuals can be costly, especially if you need to purchase several of them for educational or professional purposes. By accessing Owners Manual For Nordictrack Treadmill versions, you eliminate the need to spend money on physical copies. This not only saves you money but also reduces the environmental impact associated with book production and transportation. Furthermore, Owners Manual For Nordictrack Treadmill books and manuals for download are incredibly convenient. With just a computer or smartphone and an internet connection, you can access a vast library of resources on any subject imaginable. Whether you're a student looking for textbooks, a professional seeking industry-specific manuals, or someone interested in self-improvement, these digital resources provide an efficient and accessible means of acquiring knowledge. Moreover, PDF books and manuals offer a range of benefits compared to other digital formats. PDF files are designed to retain their formatting regardless of the device used to open them. This ensures that the content appears exactly as intended by the author, with no loss of formatting or missing graphics. Additionally, PDF files can be easily annotated, bookmarked, and searched for specific terms, making them highly practical for studying or referencing. When it comes to accessing Owners Manual For Nordictrack Treadmill books and manuals, several platforms offer an extensive collection of resources. One such platform is Project Gutenberg, a nonprofit organization that provides over 60,000 free eBooks. These books are primarily in the public domain, meaning they can be freely distributed and downloaded. Project Gutenberg offers a wide range of classic literature, making it an excellent resource for literature enthusiasts. Another popular platform for Owners Manual For Nordictrack Treadmill books and manuals is Open Library. Open Library is an initiative of the Internet Archive, a non-profit organization dedicated to digitizing cultural artifacts and making them accessible to the public. Open Library hosts millions of books, including both public domain works and contemporary titles. It also allows users to borrow digital copies of certain books for a limited period, similar to a library lending system. Additionally, many universities and educational institutions have their own digital libraries that provide free access to PDF books and manuals. These libraries often offer academic texts, research papers, and technical manuals, making them invaluable resources for students and researchers. Some notable examples include MIT OpenCourseWare, which offers free access to course materials from the Massachusetts Institute of Technology, and the Digital Public Library of America, which provides a vast collection of digitized books and historical

documents. In conclusion, Owners Manual For Nordictrack Treadmill books and manuals for download have transformed the way we access information. They provide a cost-effective and convenient means of acquiring knowledge, offering the ability to access a vast library of resources at our fingertips. With platforms like Project Gutenberg, Open Library, and various digital libraries offered by educational institutions, we have access to an ever-expanding collection of books and manuals. Whether for educational, professional, or personal purposes, these digital resources serve as valuable tools for continuous learning and self-improvement. So why not take advantage of the vast world of Owners Manual For Nordictrack Treadmill books and manuals for download and embark on your journey of knowledge?

### FAQs About Owners Manual For Nordictrack Treadmill Books

**What is a Owners Manual For Nordictrack Treadmill PDF?** A PDF (Portable Document Format) is a file format developed by Adobe that preserves the layout and formatting of a document, regardless of the software, hardware, or operating system used to view or print it. **How do I create a Owners Manual For Nordictrack Treadmill PDF?** There are several ways to create a PDF: Use software like Adobe Acrobat, Microsoft Word, or Google Docs, which often have built-in PDF creation tools. Print to PDF: Many applications and operating systems have a "Print to PDF" option that allows you to save a document as a PDF file instead of printing it on paper. Online converters: There are various online tools that can convert different file types to PDF. **How do I edit a Owners Manual For Nordictrack Treadmill PDF?** Editing a PDF can be done with software like Adobe Acrobat, which allows direct editing of text, images, and other elements within the PDF. Some free tools, like PDFescape or Smallpdf, also offer basic editing capabilities. **How do I convert a Owners Manual For Nordictrack Treadmill PDF to another file format?** There are multiple ways to convert a PDF to another format: Use online converters like Smallpdf, Zamzar, or Adobe Acrobats export feature to convert PDFs to formats like Word, Excel, JPEG, etc. Software like Adobe Acrobat, Microsoft Word, or other PDF editors may have options to export or save PDFs in different formats. **How do I password-protect a Owners Manual For Nordictrack Treadmill PDF?** Most PDF editing software allows you to add password protection. In Adobe Acrobat, for instance, you can go to "File" -> "Properties" -> "Security" to set a password to restrict access or editing capabilities. Are there any free alternatives to Adobe Acrobat for working with PDFs? Yes, there are many free alternatives for working with PDFs, such as: LibreOffice: Offers PDF editing features. PDFsam: Allows splitting, merging, and editing PDFs. Foxit Reader: Provides basic PDF viewing and editing capabilities. How do I compress a PDF file? You can use online tools like Smallpdf, ILovePDF, or desktop software like Adobe Acrobat to compress PDF files without significant quality loss. Compression reduces the file size, making it easier to share and download. Can I fill out forms in a PDF file? Yes, most PDF viewers/editors like Adobe Acrobat, Preview (on Mac), or



various online tools allow you to fill out forms in PDF files by selecting text fields and entering information. Are there any restrictions when working with PDFs? Some PDFs might have restrictions set by their creator, such as password protection, editing restrictions, or print restrictions. Breaking these restrictions might require specific software or tools, which may or may not be legal depending on the circumstances and local laws.

### Find Owners Manual For Nordictrack Treadmill :

[samsung dvd hd850 user guide](#)

**samsung a930 user guide**

[samsung 970p monitors owners manual](#)

[samsung gt s5230 user manual](#)

[samsung dcb i560g service manual repair guide](#)

[samsung bd p15guide](#)

**samsung bd c6800 service manual and repair guide**

[samsung galaxy s3 gt i9300 manual](#)

**samsung cs14c8 tvs owners manual**

**samsung e350 service manual**

**samsung e2600 manual**

[samsung clx 9201 9251 9301 series copier service manual](#)

[samsung dvd vr370 dvd vr375 dvd vcr recorder service manual](#)

[samsung 6000 led tv manual](#)

[samsung galaxy s2 gt i9100 g schematics](#)

### Owners Manual For Nordictrack Treadmill :

**radcases plus q a nuclear medicine 9781626232563 thieme** - Apr 11 2023

web radcases plus q a nuclear medicine daniel e appelbaum john miliziano anup j alexander yong bradley media type book e book epub e book pdf edition 2 2020 details 260 pages 437 ill paperback perfect binding isbn 9781626232563 media type book language of text english us 74 99 prices exclude sales tax media type book

*nuclear medicine radcases plus q and a 2nd edition ebook* - Nov 06 2022

web radcases plus q a nuclear medicine 2nd edition pdf includes a wide spectrum from classic topics like thyroid parathyroid

bone and renal scans to

[radcases plus q a nuclear medicine 2nd edition amazon com](#) - Jan 08 2023

web aug 17 2020 radcases plus q a nuclear medicine 2nd edition essential nuclear medicine cases and board type q a review to help you pass your exam recently the field of nuclear medicine has witnessed an unprecedented explosion of new clinical diagnostic tracers radionuclide therapies hardware and molecular imaging paradigms

**thieme radcases** - Jun 13 2023

web thieme an international scientific and medical publisher has produced high quality products for physicians scientists technologists students and residents for more than 120 years major specialty areas include neurosurgery radiology otolaryngology orthopedics ophthalmology audiology speech and hearing complementary medicine and chemistry

**nuclear medicine radcases english edition pdf uniport edu** - Mar 30 2022

web aug 4 2023 merely said the nuclear medicine radcases english edition is universally compatible later than any devices to read the american psychiatric publishing textbook of geriatric neuropsychiatry norman l foster 2011 04 27 the third edition of the popular textbook of geriatric neuropsychiatry thoroughly reviews this clinical

**radcases plus q a nuclear medicine 2nd edition medical** - Jul 02 2022

web this second edition of radcases plus q a nuclear medicine by daniel appelbaum john miliziano anup jacob alexander and yong bradley reflects these advances presenting 100 new cases and 500 high quality images the book covers a wide spectrum from classic topics such as thyroid bone parathyroid and renal scans to the paradigm shifting

**radcases nuclear medicine radiology rsna publications** - Dec 07 2022

web nuclear medicine obstetric gynecologic radiology oncologic imaging other pediatric radiology physics and basic science professionalism radiation oncology research

**nuclear medicine archives medical books free** - Aug 03 2022

web this second edition of radcases plus q a nuclear medicine by daniel appelbaum john miliziano anup jacob alexander and yong bradley reflects these advances presenting 100 new cases and 500 high quality images the book covers a wide spectrum from classic topics such as thyroid bone parathyroid and renal scans to the paradigm shifting

**nuclear medicine radcases afkebooks medical ebooks for** - Apr 30 2022

web by daniel appelbaum john miliziano radcasesall the key radiology cases for your rounds rotations and exams in print and online radcases contains cases

**nuclear medicine case review series 2nd edition amazon com** - Jan 28 2022

web dec 2 2010 master the applications of nuclear medicine in bone medicine oncology neurology and cardiac medicine with 40 new pet ct cases and 5 new spect ct cases manage risks thanks to 10 radiation safety cases that cover this major

concern in nuclear medicine practice

*radcases nuclear medicine medone thieme* - May 12 2023

web radcases all the key radiology cases for your rounds rotations and exams in print and online radcases contains cases selected to simulate everything that you ll see on your rounds rotations and exams radcases also helps you identify the correct differential diagnosis for each case including the most critical radcases covers

**radcases nuclear medicine academic radiology** - Mar 10 2023

web in its first edition radcases nuclear medicine proves to be a high yield compact tool for a radiology resident or practicing radiologist much like other books in the series radcases nuclear medicine succeeds in presenting the reader with easily digestible facts and excellent images

**40 thesis topics in nuclear medicine domypapers com** - Dec 27 2021

web nuclear medicine is one of the sections of clinical medicine that uses radionuclide drugs and also uses the method of radiation therapy for the diagnosis and treatment of diseases basically it is necessary for the diagnosis and treatment of cancer the main market that affects global nuclear medicine is the us market which occupies 40 of

nuclear medicine download medical books - Oct 05 2022

web download medical books nuclear medicine and molecular imaging the requisites requisites in radiology 5th edition nuclear medicine radiology comments off apr 282022 now in its 5th edition this outstanding volume in the popular requisites series thoroughly covers the fast changing field of nuclear medicine and molecular imaging

**radcases nuclear medicine radcases plus q a 1st edition** - Feb 09 2023

web jul 15 2011 radcases nuclear medicine will enable you to make quick diagnoses and sound clinical decisions features of nuclear medicine numerous high resolution radiographs reflect the latest nuclear imaging technology a variety of common and uncommon presentations cover everything from alzheimer s and dementia to

**nuclear medicine and pet ct cases oxford academic** - Sep 04 2022

web in 194 cases featuring over 450 high quality images nuclear medicine and pet ct cases provides a succinct review of clinically relevant cases covering the full range of nuclear medicine cases are grouped into sections including nuclear cns imaging nuclear inflammation infection imaging ventilation perfusion lung scintigraphy pediatric

**radcases plus q a nuclear medicine medone thieme** - Jul 14 2023

web this second edition of radcases plus q a nuclear medicine by daniel appelbaum john miliziano anup jacob alexander and yong bradley reflects these advances presenting 100 new cases and 500 high quality images the book covers a wide spectrum from classic topics such as thyroid bone parathyroid and renal scans to the paradigm

pdf topics of nuclear medicine research in europe - Feb 26 2022

web jul 25 2017 recently the utilization of radioactive sources is expanding in various fields namely exploratory space missions 4 power plants 5 nuclear testing centres 6 medical science 7 and so

**nuclear medicine and pet ct cases google books** - Jun 01 2022

web chun k kim oxford university press 2015 medical 456 pages in 194 cases featuring over 550 high quality images nuclear medicine and pet ct cases provides a succinct review of clinically relevant cases covering the full range of nuclear medicine

**radcases nuclear medicine free download borrow and** - Aug 15 2023

web as enthusiastic partners in the thieme radcases series who formerly took the examination we understand the exhaustion and frustration shared by residents and the families of residents engaged in this quest

**how to write a compelling engineering cover letter monster com** - Oct 03 2022

web 1 research to find the recipient of your engineer cover letter first carefully research the company you re applying to including the name of the hiring manager of your prospective team unlike your engineer resume your cover letter must be more personal to inspire trust and connect with recruiters

**engineering cover letter examples easy to use template zety** - Apr 09 2023

web nov 2 2023 engineering cover letter examples main body let s say the job ad asks for fostering engagement cutting costs and lowering defect rates here s the perfect cover letter body for that engineering position retsigen s current quest to cut costs while boosting quality fire me up like nothing else

**engineering cover letter example resumenerd** - Mar 28 2022

web it s a great idea to use the cover letter templates and resume templates at resumenerd to help you land that engineering job this guide will show you a perfect engineering cover letter example to use as inspiration why a professional cover letter is always a vital component of any job application some cover letter writing tips to create

**3 engineering cover letter examples get hired standout cv** - Jun 30 2022

web the example cover letters here should give you a good general idea on how your engineering cover letter should be formatted and written the rest of this guide gives more specific guidance on how to create your own cover letter in this format and even includes some templates you can copy and paste

**how to write an engineer cover letter with examples** - Feb 07 2023

web aug 16 2023 examples of engineer cover letters here are some examples of good engineer cover letters that follow the steps outlined above example 1 dear mr stoat as a recent civil engineering graduate i was interested to see the vacancy at cde construction i wish to submit my application with this cover letter and attached cv

*engineering cover letter examples how to write cv genius* - Apr 28 2022

web may 5 2022 engineering cover letter 5 may 2022 by aaron case cprw reviewed by the cv genius cprw team struggling

to write your engineering cover letter view our engineering cover letter example below and learn how to write your own by reading expert writing tips build my cover letter now

[engineering cover letter examples entry level for 2023](#) - Aug 13 2023

web nov 8 2023 two engineering cover letter examples including an entry level engineering cover letter step by step tips on how to write engineering cover letters that will score you more interviews engineering cover letter templates you can copy tweak and have ready in 15 minutes

**how to write an engineering cover letter with example** - Nov 04 2022

web dec 3 2022 the model shown is for illustration purposes only and may require additional formatting to meet accepted standards learn to write a meaningful and engaging engineering cover letter by following six simple steps and reviewing a template and example to help you write your own

*engineer cover letter example and template for 2023 indeed* - Oct 15 2023

web mar 28 2023 when crafting an effective cover letter you can review the example below and additional cover letter samples and resume samples for reference in this article we discuss how to write an engineer cover letter and

**how to write an engineering cover letter with example** - Jul 12 2023

web feb 11 2023 engineering cover letter sample here s a sample of an engineering cover letter tony lim soo chin blk 147 bee lay avenue 5 tiong bahru singapore 873487 65 8888 0000 tony limsoochin email com september 4 2021 lee leong huat pandai membina dynamics 289 jalan tanjong emas bukit merah singapore 234567 65 8000

**engineering cover letter the complete guide with templates** - Feb 24 2022

web steffie mayrelin jul 13th 2021 engineering has always been an important part of human development it means that getting an engineering job can secure your employment for most of your life of course a big company would want to hire the best of engineers in this case aside from resume cv you might also need to write an engineering cover letter

*cover letter examples cornell university* - Mar 08 2023

web cover letter examples cover letter examples for various career fields from the broadest sense cover letters serve two purposes express your interest in the organization and position to which you are applying expand upon your skills and experiences highlighted on your resume

[engineering cover letter examples kickresume](#) - Jun 11 2023

web apr 7 2022 personalizing the greeting content of your engineering cover letter writing an attention grabbing engineering cover letter introduction showcasing your skills accomplishments in engineering finishing your engineering cover letter with a strong closing statement 1 create an effective engineering cover letter header headline

[engineering cover letter templates writing tips resume](#) - May 10 2023

web jun 17 2022 engineering cover letter example june 17 2022 by the resume genius team reviewed by conrad benz need help crafting the ideal engineering cover letter our engineering cover letter sample and writing tips will help you get the job done build my cover letter now

*engineering cover letter example plus template and tips* - Sep 14 2023

web jan 16 2023 understanding how to format and write an effective engineering cover letter could help you engage with potential employers and receive job interviews in this article we provide an engineering cover letter example and template and offer tips to

**engineering cover letter examples expert tips free** - Sep 02 2022

web use this engineering cover letter example to finish your application and get hired fast no frustration no guesswork this cover letter example is specifically designed for engineering positions in 2023 take advantage of our sample sentences expert guides to download the perfect cover letter in just minutes

**a guide to using an engineering cover letter example** - Jan 06 2023

web may 25 2023 find out how an engineering cover letter example can help you write your own what components to include and study some examples of engineering cover letters

**engineering cover letter example and tips monster** - Aug 01 2022

web read our tips for writing a cover letter and use our free engineering cover letter template when making your next job application tips for writing your cover letter you don t need to be a wordsmith to write a cover letter for an engineering position but do make sure you double check for spelling and grammar as

*professional engineering cover letter examples resume now* - Dec 05 2022

web professionally written engineering cover letter examples what to include in an engineering cover letter anatomy of an engineering cover letter common questions more cover letter samples create your own cover letter

**best engineering cover letter examples in 2023 resumehelp** - May 30 2022

web create your resume great engineering cover letter example dear mr smith as an automotive engineer with over 30 years of experience i was thrilled to see your opening for an automotive engineer

**welcome to eaarth bill mckibben** - Jul 17 2023

official website for bill mckibben author educator environmentalist and co founder of 350 org includes full information on all his books including falter oil and honey eaarth the end of nature deep economy fight global warming now and a wealth of resources

**eaarth making a life on a tough new planet bill mckibben** - Apr 14 2023

apr 13 2010 bill mckibben is an environmental activist and the bestselling author of more than a dozen books including fight

global warming now eearth oil and honey and deep economy he is the

**eearth wikipedia** - Jun 16 2023

eearth eearth making a life on a tough new planet is a book written by bill mckibben published by henry holt and company in 2010 1 in the opening chapter mckibben presents an array of facts and statistics about climate change that are already visible supported by

*book review eearth by bill mckibben the new york times* - Apr 02 2022

may 7 2010 the place mckibben has discovered is an unpronounceable land called eearth where is eearth you may ask unfortunately you re soaking in it eearth is the name mckibben has decided to

*bill mckibben author of eearth goodreads* - Mar 01 2022

bill mckibben is the author of eearth the end of nature deep economy enough fight global warming now the bill mckibben reader and numerous other books he is the founder of the environmental organizations step it up and 350 org and was among the first to warn of the dangers of global warming

[bill mckibben s eearth part 1 scientific american](#) - Feb 12 2023

apr 21 2010 writer and activist bill mckibben talks to scientific american s mark fischetti about his new book eearth making a life on a tough new planet part 1 of 2 edited and produced by podcast host

**eearth making a life on a tough new planet bill mckibben** - Mar 13 2023

apr 12 2011 bill mckibben knopf canada apr 12 2011 science 288 pages the bestselling author of deep economy shows that we re living on a fundamentally altered planet and opens our eyes to the

[bill mckibben vikipedi](#) - May 03 2022

bill mckibben okuyucu aktif yaşamdan parçalar 2008 9780805076271 american earth thoreau dan beri Çevresel yazma düzenlenmiş 2008 9781598530209 eearth zor yeni bir gezegende bir hayat kurmak 2010 978 0 8050 9056 7 küresel ısınma okuyucu or books 2011 978 1 935928 36 2

[summary and reviews of eearth by bill mckibben bookbrowse](#) - Dec 10 2022

published apr 2010 272 pages genre science health and the environment publication information rate this book write a review buy this book about this book summary book summary twenty years ago with the end of nature bill mckibben offered one of the earliest warnings about global warming

**eearth making a life on a tough new planet mckibben bill** - Oct 08 2022

mar 15 2011 bill mckibben is the author of eearth the end of nature deep economy enough fight global warming now the bill mckibben reader and numerous other books he is the founder of the environmental organizations step it up and 350 org and was among the first to warn of the dangers of global warming he is a scholar in residence at middlebury

**eaarth macmillan** - Jan 11 2023

mar 15 2011 isbn 9780312541194 in the news eaarth is the name mckibben has decided to assign both to his new book and to the planet formerly known as earth his point is a fresh one that brings the reader uncomfortably close to climate change earth with one a according to mckibben no longer exists we have carbonized it out of existence

**eaarth by bill mckibben** - Sep 19 2023

official website for bill mckibben author educator environmentalist and co founder of 350 org includes full information on all his books including falter oil and honey eaarth the end of nature deep economy fight global warming now and a wealth of resources

*books by bill mckibben author of eaarth goodreads* - Sep 07 2022

bill mckibben s most popular book is eaarth making a life on a tough new planet

*welcome to eaarth official site for bill mckibben author* - Jan 31 2022

welcome to eaarth download this excerpt as a pdf listen to a sample from the audiobook preface i m writing these words on a gorgeous spring afternoon perched on the bank of a brook high along the spine of the green mountains a mile or so from my home in the vermont mountain town of ripton

[eaarth making a life on a tough new planet by bill mckibben goodreads](#) - May 15 2023

jan 1 2010 bill mckibben is the author of eaarth the end of nature deep economy enough fight global warming now the bill mckibben reader and numerous other books he is the founder of the environmental organizations step it up and 350 org and was among the first to warn of the dangers of global warming

*bill mckibben wikipedia* - Jun 04 2022

1 website official website william ernest mckibben born december 8 1960 1 is an american environmentalist author and journalist who has written extensively on the impact of global warming he is the schumann distinguished scholar at middlebury college 2 and leader of the climate campaign group 350 org

**eaarth making a life on a tough new planet bill mckibben** - Nov 09 2022

the bestselling author of deep economy shows that we re living on a fundamentally altered planet and opens our eyes to the kind of change we ll need in order to make our civilization endure twenty years ago with the end of nature bill mckibben offered one of the earliest warnings about global warming

**official site for bill mckibben author educator environmentalist** - Jul 05 2022

official website for bill mckibben author educator environmentalist and co founder of 350 org includes full information on all his books including falter oil and honey eaarth the end of nature deep economy fight global warming now and a wealth of resources



[eaarth making a life on a tough new planet amazon com](#) - Aug 06 2022

apr 7 2010 bill mckibben s eaarth is an engaging overview of the implications of climate change and environmental destruction that is already happening in a short book it ties together the main threads of this reality which challenges our culture society and economy more fundamentally than any event humans have ever faced and requires quicker and more  
*eaarth making a life on a tough new planet mckibben bill* - Aug 18 2023

mar 15 2011 eaarth making a life on a tough new planet mckibben bill 9780312541194 amazon com books books science math earth sciences buy new 11 99 list price 19 99 details save 8 00 40 free delivery october 13 20 details or fastest delivery tuesday october 10 order within 8 hrs 37 mins details select delivery location add to cart