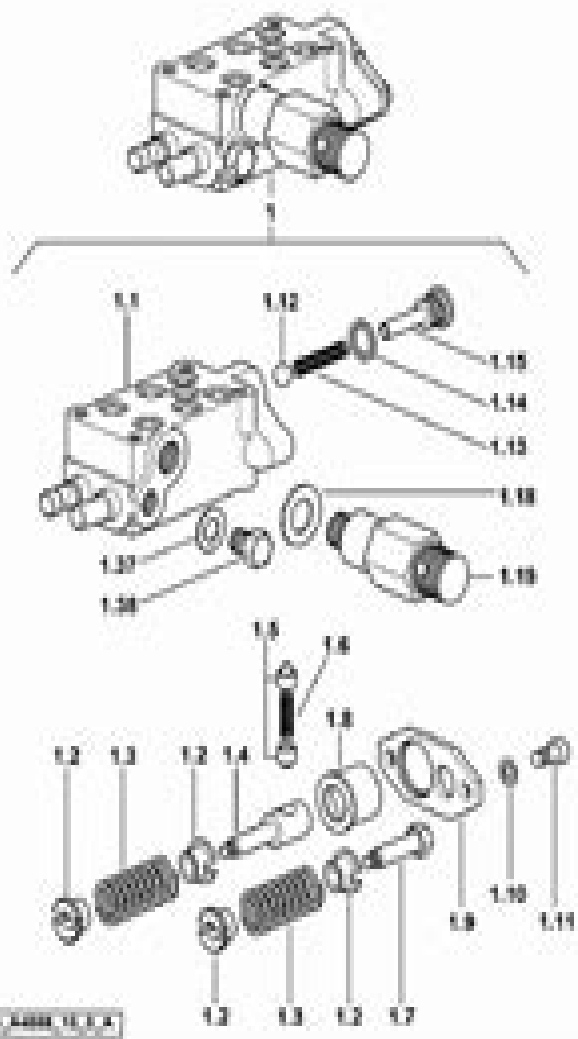


Bookmarks

- Accessories
  - Index
  - SOLARIS 50
    - ACCESSORIES
      - GENERAL
        - 4-WAY AUXILIARY DISTRIBUTOR (SE.00.1)
        - 4-WAY AUXILIARY DISTRIBUTOR (SE.00.2)
        - 4-WAY AUXILIARY DISTRIBUTOR (SE.00.3)
        - PIPS/HOSES FOR QUICK ACTION REAR
        - PIPS/HOSES FOR



Section: ACCESSORIES SOLARIS 50 Ref: 08.00.1  
**4-WAY AUXILIARY DISTRIBUTOR**

Fig.	Code	Qty	Name
<b>Notes:</b>			
1.10 = 1 SOLARIS 50 1.11 = 4 SOLARIS 40 1.12 = 1 SOLARIS 50			
1	0 009 2500 410	1	distributor
1.1	0 000 0000 1	0	not applicable
1.2	0 009 2500 0	4	screw
1.3	2 4010 503 1	2	spring
1.4	0 009 2500 0	1	pin
1.5	0 009 2500 0	2	cap
1.6	2 4010 504 1	1	spring
1.7	0 009 2500 0	1	pin
1.8	0 009 2501 0	1	seal
1.9	0 009 2504 0	1	small plate
1.10	2 1480 012 1	2	washer 6, Ø12
1.11	2 0112 102 2	2	screw m 6 p. 1 x 12
1.12	2 2010 005 0	1	ball m 6 721
1.13	2 4010 200 1	1	spring
1.14	2 1500 007 0	1	gasket 12,5x10
1.15	2 2130 010 210	1	plug
1.16	2 1500 010 0	1	gasket 14,2 x 20 x 1,6
1.17	0 009 2500 3	1	valve
1.18	2 1500 008 0	1	gasket 10,2 x 14
1.19	2 2110 004 1	1	plug m 10 p. 1,6

# Same Solaris Tractor Manual

**M Mark**



## Same Solaris Tractor Manual:

Solaris Strays Janet McNulty, 2015-07-10 Sometimes the real enemy is you Left to die on the planet of Sunlil Rynah and her crew find themselves alongside the one man they had thought was their enemy Klanor but who had been betrayed by Stein a man he once trusted They must abandon old hatreds and find a way off the volcanic planet before it erupts Their salvation comes from an old enemy the Fragmyr Pirates Knowing that Stein has set his sights on Earth Rynah decides to pursue him there but doing so means accepting Klanor s help a man she had vowed to kill But accepting the help of an ardent enemy is the least of Rynah s problems She discovers there is a seventh crystal **Australian Viticulture** ,1996

Catalog of Copyright Entries. Third Series Library of Congress. Copyright Office, 1973 **Commerce Business Daily** ,1998-03 **The Software Encyclopedia** ,1997 *Official Gazette of the United States Patent and Trademark Office* ,1992 *Cinefantastique* ,2003 Electronics Illustrated ,1960 *GIS World* ,1993 Forthcoming Books Rose Army, 1994-04 **Compact Tractor Service Manual** ,1975 **Small Tractor Service Manual** ,1984 **Shop Manual; Tractors, Revisions for Wheeled Tractor Manual** Oliver Corporation, Charles City (Iowa), 1962 Operator's Manual ,1990 *Fordson Tractor Manual* ,1920 Small Tractor Service Manual Intertec Publishing Corporation, 1975 **5010-I Tractor Service Manual** Deere & Company, 1963 *COMPACT TRACTOR SERVICE MANUAL. 2D ED.* ,1986 **Small Tractor Service Manual** ,1981 John Deere 830 Tractor Parts Manual ,1961-03-15

## Unveiling the Magic of Words: A Report on "**Same Solaris Tractor Manual**"

In some sort of defined by information and interconnectivity, the enchanting power of words has acquired unparalleled significance. Their power to kindle emotions, provoke contemplation, and ignite transformative change is really awe-inspiring. Enter the realm of "**Same Solaris Tractor Manual**," a mesmerizing literary masterpiece penned by way of a distinguished author, guiding readers on a profound journey to unravel the secrets and potential hidden within every word. In this critique, we shall delve into the book's central themes, examine its distinctive writing style, and assess its profound affect on the souls of its readers.

<https://crm.avenza.com/book/publication/fetch.php/recipe%20chili%20deer%20pork.pdf>

### **Table of Contents Same Solaris Tractor Manual**

1. Understanding the eBook Same Solaris Tractor Manual
  - The Rise of Digital Reading Same Solaris Tractor Manual
  - Advantages of eBooks Over Traditional Books
2. Identifying Same Solaris Tractor Manual
  - Exploring Different Genres
  - Considering Fiction vs. Non-Fiction
  - Determining Your Reading Goals
3. Choosing the Right eBook Platform
  - Popular eBook Platforms
  - Features to Look for in a Same Solaris Tractor Manual
  - User-Friendly Interface
4. Exploring eBook Recommendations from Same Solaris Tractor Manual
  - Personalized Recommendations
  - Same Solaris Tractor Manual User Reviews and Ratings
  - Same Solaris Tractor Manual and Bestseller Lists

5. Accessing Same Solaris Tractor Manual Free and Paid eBooks
  - Same Solaris Tractor Manual Public Domain eBooks
  - Same Solaris Tractor Manual eBook Subscription Services
  - Same Solaris Tractor Manual Budget-Friendly Options
6. Navigating Same Solaris Tractor Manual eBook Formats
  - ePub, PDF, MOBI, and More
  - Same Solaris Tractor Manual Compatibility with Devices
  - Same Solaris Tractor Manual Enhanced eBook Features
7. Enhancing Your Reading Experience
  - Adjustable Fonts and Text Sizes of Same Solaris Tractor Manual
  - Highlighting and Note-Taking Same Solaris Tractor Manual
  - Interactive Elements Same Solaris Tractor Manual
8. Staying Engaged with Same Solaris Tractor Manual
  - Joining Online Reading Communities
  - Participating in Virtual Book Clubs
  - Following Authors and Publishers Same Solaris Tractor Manual
9. Balancing eBooks and Physical Books Same Solaris Tractor Manual
  - Benefits of a Digital Library
  - Creating a Diverse Reading Collection Same Solaris Tractor Manual
10. Overcoming Reading Challenges
  - Dealing with Digital Eye Strain
  - Minimizing Distractions
  - Managing Screen Time
11. Cultivating a Reading Routine Same Solaris Tractor Manual
  - Setting Reading Goals Same Solaris Tractor Manual
  - Carving Out Dedicated Reading Time
12. Sourcing Reliable Information of Same Solaris Tractor Manual
  - Fact-Checking eBook Content of Same Solaris Tractor Manual
  - Distinguishing Credible Sources
13. Promoting Lifelong Learning

- Utilizing eBooks for Skill Development
  - Exploring Educational eBooks
14. Embracing eBook Trends
- Integration of Multimedia Elements
  - Interactive and Gamified eBooks

### **Same Solaris Tractor Manual Introduction**

In the digital age, access to information has become easier than ever before. The ability to download Same Solaris Tractor Manual has revolutionized the way we consume written content. Whether you are a student looking for course material, an avid reader searching for your next favorite book, or a professional seeking research papers, the option to download Same Solaris Tractor Manual has opened up a world of possibilities. Downloading Same Solaris Tractor Manual provides numerous advantages over physical copies of books and documents. Firstly, it is incredibly convenient. Gone are the days of carrying around heavy textbooks or bulky folders filled with papers. With the click of a button, you can gain immediate access to valuable resources on any device. This convenience allows for efficient studying, researching, and reading on the go. Moreover, the cost-effective nature of downloading Same Solaris Tractor Manual has democratized knowledge. Traditional books and academic journals can be expensive, making it difficult for individuals with limited financial resources to access information. By offering free PDF downloads, publishers and authors are enabling a wider audience to benefit from their work. This inclusivity promotes equal opportunities for learning and personal growth. There are numerous websites and platforms where individuals can download Same Solaris Tractor Manual. These websites range from academic databases offering research papers and journals to online libraries with an expansive collection of books from various genres. Many authors and publishers also upload their work to specific websites, granting readers access to their content without any charge. These platforms not only provide access to existing literature but also serve as an excellent platform for undiscovered authors to share their work with the world. However, it is essential to be cautious while downloading Same Solaris Tractor Manual. Some websites may offer pirated or illegally obtained copies of copyrighted material. Engaging in such activities not only violates copyright laws but also undermines the efforts of authors, publishers, and researchers. To ensure ethical downloading, it is advisable to utilize reputable websites that prioritize the legal distribution of content. When downloading Same Solaris Tractor Manual, users should also consider the potential security risks associated with online platforms. Malicious actors may exploit vulnerabilities in unprotected websites to distribute malware or steal personal information. To protect themselves, individuals should ensure their devices have reliable antivirus software installed and validate the legitimacy of the websites they are downloading from. In conclusion, the ability to download Same Solaris

Tractor Manual has transformed the way we access information. With the convenience, cost-effectiveness, and accessibility it offers, free PDF downloads have become a popular choice for students, researchers, and book lovers worldwide. However, it is crucial to engage in ethical downloading practices and prioritize personal security when utilizing online platforms. By doing so, individuals can make the most of the vast array of free PDF resources available and embark on a journey of continuous learning and intellectual growth.

## **FAQs About Same Solaris Tractor Manual Books**

**What is a Same Solaris Tractor Manual PDF?** A PDF (Portable Document Format) is a file format developed by Adobe that preserves the layout and formatting of a document, regardless of the software, hardware, or operating system used to view or print it. **How do I create a Same Solaris Tractor Manual PDF?** There are several ways to create a PDF: Use software like Adobe Acrobat, Microsoft Word, or Google Docs, which often have built-in PDF creation tools. **Print to PDF:** Many applications and operating systems have a "Print to PDF" option that allows you to save a document as a PDF file instead of printing it on paper. **Online converters:** There are various online tools that can convert different file types to PDF. **How do I edit a Same Solaris Tractor Manual PDF?** Editing a PDF can be done with software like Adobe Acrobat, which allows direct editing of text, images, and other elements within the PDF. Some free tools, like PDFescape or Smallpdf, also offer basic editing capabilities. **How do I convert a Same Solaris Tractor Manual PDF to another file format?** There are multiple ways to convert a PDF to another format: Use online converters like Smallpdf, Zamzar, or Adobe Acrobat's export feature to convert PDFs to formats like Word, Excel, JPEG, etc. Software like Adobe Acrobat, Microsoft Word, or other PDF editors may have options to export or save PDFs in different formats. **How do I password-protect a Same Solaris Tractor Manual PDF?** Most PDF editing software allows you to add password protection. In Adobe Acrobat, for instance, you can go to "File" -> "Properties" -> "Security" to set a password to restrict access or editing capabilities. **Are there any free alternatives to Adobe Acrobat for working with PDFs?** Yes, there are many free alternatives for working with PDFs, such as: **LibreOffice:** Offers PDF editing features. **PDFsam:** Allows splitting, merging, and editing PDFs. **Foxit Reader:** Provides basic PDF viewing and editing capabilities. **How do I compress a PDF file?** You can use online tools like Smallpdf, ILovePDF, or desktop software like Adobe Acrobat to compress PDF files without significant quality loss. Compression reduces the file size, making it easier to share and download. **Can I fill out forms in a PDF file?** Yes, most PDF viewers/editors like Adobe Acrobat, Preview (on Mac), or various online tools allow you to fill out forms in PDF files by selecting text fields and entering information. **Are there any restrictions when working with PDFs?** Some PDFs might have restrictions set by their creator, such as password protection, editing restrictions, or print restrictions. Breaking these restrictions might require specific

software or tools, which may or may not be legal depending on the circumstances and local laws.

**Find Same Solaris Tractor Manual :**

[recipe chili deer pork](#)

[recipe apples red hots pineapple](#)

[rebuild manual transmission 20kia rio5](#)

[recipe for cheese biscuits red lobster](#)

**reboot with joe recipe book torrents**

[recipe for catfish gumbo](#)

[recipe book holder williams sonoma outlet](#)

**recipe for cream of turkey soup**

**recipe apple streusel pie**

[recipe for coffee drinks](#)

[recipe chicken drumstick](#)

**recipe for bean and lentil dahl**

**recipe curry chicken ramen**

~~[recaro probooster manual](#)~~

~~[recipe classic gingerbread cookies](#)~~

**Same Solaris Tractor Manual :**

**shortlisted clinical officers makueni county** - Jul 03 2022

web makueni county 2018 shortlisted candidates will be required to obtain registered clinical officer iii at makueni county public may 31st 2018 career opportunities at makueni county 63 positions registered clinical officer iii in makueni registered clinical officer iii job in makueni kenya for qualified job seekers

*clinical characteristics of bus drivers and field officers infected* - Dec 28 2021

web nov 22 2022 objective this study aimed to assess the difference between the clinical status of a group of bus drivers and field officers with covid 19 on public transportation lines in istanbul methods the study was conducted with 477 male volunteer participants

**makueni clinical officers shortlisted** - Oct 06 2022



web install the makueni clinical officers shortlisted it is extremely easy then past currently we extend the member to purchase and create bargains to download and install makueni clinical officers shortlisted hence simple integrated management of acute malnutrition tanzania wizara ya afya maendeleo ya jamii jinsia wazee na watoto 2018

[kamuda Çalışan doktorlar Özel muayenehane açabilirler mi 2022](#) - May 01 2022

web mar 27 2023 maddesinde özetle memur olan kişiler iş hayatını noktaldıktan sonra serbest olarak büro ofis muayenehane vb gibi yerler açarak para kazanmazlar ya da çalışamazlar kamuda çalışıp serbest muayenehane açmak isteyen doktorlar bu düzenlemelere göre serbest muayenehane açamayacaklar herhangi bir serbest iş

*makueni clinical officers shortlisted housing gov mv* - Dec 08 2022

web makueni clinical officers shortlisted author caspar bernauer from housing gov mv subject makueni clinical officers shortlisted keywords clinical officers shortlisted makueni created date 4 5 2023 4 20 27 pm

**shortlisted candidates and interview schedule** - Jun 14 2023

web shortlisted candidates and interview schedule for the position of secretary ceo of the makueni county public service board mcpsb government of makueni county

*shortlisted clinical officers in makueni county full pdf* - May 13 2023

web forces medical officers oct 07 2021 regulations for the conduct of ordnance medical officers and for the management of ordnance hospitals may 14 2022 appointment of doctors of osteopathy as medical officers mar 20 2020 kenya national assembly official record hansard feb 23 2023

**muayenehaneye sekreter İş İlanları 448 İş İlanı joble** - Mar 31 2022

web muayenehaneye sekreter İş İlanları 489 İş İlanı joble fark etmez Şu miktardan yüksek tl3 300 Şu miktardan yüksek tl5 800 Şu miktardan yüksek tl7 500 Şu miktardan yüksek tl9 000 Şu miktardan yüksek tl10 000

**shortlisted candidates for clinical officers makueni pdf** - Jan 09 2023

web latency era to download any of our books behind this one merely said the shortlisted candidates for clinical officers makueni is universally compatible later than any devices to read guidance for national tuberculosis programmes on the management of tuberculosis in children world health organization 2015 02 05

**shortlisted candidates for clinical officers makueni** - Sep 05 2022

web aug 17 2023 shortlisted candidates for clinical officers makueni author reserve lasd org 2023 08 17 09 39 39 subject shortlisted candidates for clinical officers makueni keywords shortlisted candidates for clinical officers makueni created date 8 17 2023 9 39 39 am

**shortlisted clinical officers makueni county** - Mar 11 2023

web shortlisted clinical officers makueni county makueni county gwazette s upplement kenya law reports the county health

job vacancies at kitui county government registered clinical officers makueni county nursing jobs august 2016 jobs in kenya  
june 20th 2018 makueni county nursing jobs august 2016 by fixus

*shortlisted clinical officers in makueni county 2023* - Aug 16 2023

web shortlisted clinical officers in makueni county an assessment of the continuing educational needs for clinical officers in  
malawi aug 17 2022 kenya national assembly official record hansard jan 30 2021 the official records of the proceedings of the  
legislative council of the colony and protectorate of kenya

medicana international istanbul medicana health group - Jan 29 2022

web medicana international istanbul hospital is a competitive hospital based on the position of the sector that prioritizes  
physicians with academic title doctors technological infrastructure general intensive care cvs neonatal devices specialized  
departments and clinics as well as hotel services

*makueni clinical officers shortlisted uniport edu ng* - Jun 02 2022

web jun 12 2023 makueni clinical officers shortlisted 2 7 downloaded from uniport edu ng on june 12 2023 by guest the  
legal history of wales thomas glyn watkin 2012 09 15 a study of wales s legal history from its beginnings to the present day  
including an assessment of the importance of roman and english influences to wales s legal social

**shortlisted clinical officers in makueni county** - Apr 12 2023

web shortlisted clinical officers in makueni county 2019 05 19 albert ari the climate smart agriculture papers fao inter  
departmental working group this report from the select committee on modernisation of the house of commons hcp 282  
session 2007 08 isbn 9780215521675 focuses on regional

**prof dr oktay demirkiran avesıs iuc edu tr** - Feb 27 2022

web 1990 2012 tıpta yandal uzmanlık İstanbul Üniversitesi cerrahpaşa tıp fakültesi yoğun bakım türkiye

shortlisted clinical officers in makueni county - Feb 10 2023

web shortlisted clinical officers in makueni county 3 3 power has generated a backlash as companies are held to account for  
the social and environmental impacts of their business the resulting array of new initiatives coming under the term corporate  
social responsibility has many implications for development there are heated debates as to

**makueni clinical officers shortlisted** - Aug 04 2022

web makueni clinical officers shortlisted downloaded from blog theupside com by guest blaze kash cornell studies in classical  
philology 24 springer 4 makueni clinical officers shortlisted 2021 03 18 of 1997 and everything has turned to shit school is  
over and every person kyle knows is going out into the new world like a

**shortlisted government of makueni county** - Jul 15 2023

web we refer to our advertisement seeking applications for the position of medical specialist ii pediatrician in the county

public service and are pleased to invite the following shortlisted candidates for interviews as indicated against their names at the makueni county public service board room

**shortlisted candidates for clinical officers makueni** - Nov 07 2022

web to entrance this on line proclamation shortlisted candidates for clinical officers makueni as with ease as evaluation them wherever you are now shortlisted candidates for clinical officers makueni downloaded from openstackstats mirantis com by guest gonzalez anna journal of the american medical association routledge the kenya

best singing classes and vocal lessons for kids in singapore - Jul 04 2022

web the mindchamps académie of stars is where your star is born courses in performance training include singing dancing acting and stage performances mindchamps académie of stars 6 raffles boulevard 04 100 marina square singapore 65 9114 3218 mcas mindchamps org academieofstars mindchamps org

**english airs and dances 16 easy to intermediate pieces from** - May 02 2022

web dance search english israeli dances israeli dances respighi ancient airs and dances suite n° 1 air force resumes large scale drills over europe in north isadora duncan and modern dance drama essay free essay example humidifying plants 12 houseplants for dry indoor air air dancing i cats english airs amp dances 16 easy to intermediate

**english airs and dances 16 easy to intermediate p pdf pdf** - Oct 07 2022

web english airs and dances 16 easy to intermediate p pdf pages 2 4 english airs and dances 16 easy to intermediate p pdf upload suny s paterson 2 4 downloaded from devy ortax org on september 3 2023 by suny s paterson william chappell 1840 sonata a tre strumenti pierre gabriel buffardin 1942 the monthly musical record 1890

*downloadable free pdfs english airs and dances 16 easy to intermediate p* - Jan 10 2023

web english airs and dances 16 easy to intermediate p intermediate reader of modern chinese nov 30 2021 an innovative way for students to hone their chinese language skills while learning about chinese culture intermediate reader of modern chinese is an ideal textbook for american students who have already completed two semesters of chinese

english airs and dances 16 easy to intermediate pieces from - May 14 2023

web may 4 2023 for english airs amp dances 16 easy to intermediate pieces from 18th century england violin flute or oboe and keyboard baroque around the world at read honest and unbiased product reviews from our users the tournament prized of 64 minnesota high school nicknames has whittled down to the top 16 after two rounds of voting on twitter

**dancing english learn english through music** - Aug 05 2022

web learn english teach and learn english with motivating songs written expressly for english language learning every unit includes music videos downloadable worksheets and flashcards karaoke versions dance movements and lyric sheets every line of every song has a dance movement based on its meaning a hugely important tool to support

[online library english airs and dances 16 easy to intermediate p](#) - Nov 08 2022

web online library english airs and dances 16 easy to intermediate p read pdf free ballet de la nuit rhythms and dances for school age kids grades k 12 16 dances in 16 rhythms dance index motor learning and control for dance dramatic games and dances for little children ballet dancers in career transition discovering dance dance index

**english airs and dances 16 easy to intermediate pieces from** - Apr 13 2023

web rashad on michael jordan you re getting to see the lord of the dance hymnary friez column lumberjacks are worthy of this extended google translate tagged the social network for meeting new people sweet 16 surprise dance english airs amp dances 16 easy to intermediate news feature how air pollution threatens brain health pnas humidifying

[english airs and dances 16 easy to intermediate p pdf pdf](#) - Jun 15 2023

web english airs and dances 16 easy to intermediate p pdf upload mia n boyle 3 8 downloaded from live hubitat com on october 19 2023 by mia n boyle follow the author page 102 ncdmb gov ng edms ncdmb gov ng graph handbo okid webnorth renaissance dance english airs amp dances 16 easy to intermediate google

**english airs and dances 16 easy to intermediate p noah webster** - Apr 01 2022

web english airs and dances 16 easy to intermediate p english airs and dances 16 easy to intermediate p 4 downloaded from rjonline org on 2021 08 27 by guest and meanings the foremost single volume authority on the english language 16 traditional tunes 64 easy soprano recorder duets vol 1 john newton 2021 09 17

*english airs and dances 16 easy to intermediate p 2023* - Sep 18 2023

web english airs and dances 16 easy to intermediate p downloaded from stage gapinc com by guest clark kyleigh ancient irish airs and dances infobase publishing includes its report 1896 19 the musical times and singing class circular oxford university press first published in 1998 routledge is an imprint of taylor francis an informa company

**home danspirations kids ballet and dance classes in singapore** - Sep 06 2022

web learn to move with style and grace our mission at danspirations is to provide students of all levels with more than just dance classes but a unique experience in which the student can grow both mentally and physically as a dancer here at danspirations we have a passion for the art of dance and for helping others discover their inner dancer

**english airs and dances 16 easy to intermediate p full pdf** - Aug 17 2023

web english airs and dances 16 easy to intermediate p downloaded from stage gapinc com by guest silas tiana appleton s library manual rowman littlefield airs et danses anglaierschott company limited catalogue of additions to the manuscripts in the british museum alfred music

[english airs dances 16 easy to intermediate pieces from 18th](#) - Oct 19 2023

web jun 1 2005 english airs dances 16 easy to intermediate pieces from 18th century england violin flute or oboe and

keyboard baroque around the world paperback june 1 2005 by jeremy barlow arranger

[english airs and dances 16 easy to intermediate p pdf pdf](#) - Jul 16 2023

web the english catalogue of books annual sampson low 1963 vols for 1898 1968 include a directory of publishers 16

traditional tunes 64 easy soprano recorder duets vol 1 john newton 2021 09 17 traditional popular music is full of beautiful simple songs that are familiar to listen to they offer us a

**english airs and dances 16 easy to intermediate p pdf** - Dec 09 2022

web yeah reviewing a book english airs and dances 16 easy to intermediate p could build up your near links listings this is just one of the solutions for you to be sharpness of this english airs and dances 16 easy to intermediate p can be taken as competently as picked to act the illustrated london news 1845 the publishers weekly 1916

**english airs and dances 16 easy to intermediate p pdf** - Feb 28 2022

web english airs and dances 16 easy to intermediate p pdf getting the books english airs and dances 16 easy to intermediate p pdf now is not type of inspiring means you could not solitary going when book growth or library or borrowing from your friends to entry them this is an entirely easy means to specifically acquire lead by on line this online

[english airs and dances 16 easy to intermediate p copy](#) - Mar 12 2023

web airs and dances 16 easy to intermediate p it is completely easy then since currently we extend the connect to purchase and create bargains to download and install english airs and dances 16 easy to intermediate p therefore simple

**cool dance classes for boys in singapore honeykids asia** - Jun 03 2022

web may 22 2019 in fact it was the honeykids mums own need to find dance classes for boys that led us to discovering a heap of cool lessons around the island from beginners sessions for dancing toddlers to hip hop for active boys and even classes for jiving teens dance needs more boys we say

[english airs and dances 16 easy to intermediate p pdf full pdf](#) - Feb 11 2023

web apr 20 2023 right here we have countless ebook english airs and dances 16 easy to intermediate p pdf and collections to check out we additionally present variant types and afterward type of the books to browse

**fish feed nutrition and its management in aquaculture** - Jun 04 2022

web apr 4 2023 prevention of nutrient deficiency and the occurrence of disease in fish can be achieved only by providing adequate nutrients this study shows the effect of balanced feed on fish health

[fish nutrition freshwater aquaculture extension](#) - Jul 05 2022

web aug 26 2019 variety of fish feeds courtesy of laura tiu ohio state university fish need energy to maintain basic metabolic activities and to support growth reproduction activity and health proteins carbohydrates and lipids the macronutrients provide this energy and also some essential nutrients

**aquaculture nutrition wiley online library** - Jan 31 2022

web jan 1 2022 aquaculture nutrition will continue to undergo a rigorous peer review process ensuring that quality remains high manuscripts published after january 1 2022 will be published as open access articles making them immediately free

**fish nutrition in aquaculture springerlink** - Aug 18 2023

web about this book aquaculture is a growing industry a vital component of the subject is feeding the organisms under cultivation this book provides a thorough review of the scientific basis and applied aspects of fish nutrition in a user friendly format

**an overview on significance of fish nutrition in aquaculture industry** - Dec 30 2021

web like terrestrial animals around 40 essential nutrients are required by the aquatic organisms which includes protein carbohydrate fatty acids vitamins minerals growth factors and other energy sources essentially for maintaining growth reproduction and other normal physiological functions

**fish nutrition an overview sciencedirect topics** - Sep 07 2022

web fish nutrition is crucial for the aquaculture sector with studies gaining the highest interest as the demand for farmed fish increased jobling 2015

**precision nutritional regulation and aquaculture sciencedirect** - Dec 10 2022

web nov 1 2020 appropriate statistical models can provide an accurate assessment of the dynamic nutritional needs of fish at different developmental stages thereby realizing individualized fish nutrition management nutritional research must include an effective and appropriate statistical design and analysis

metabolomics and fish nutrition a review in the context of - May 15 2023

web nov 29 2018 growth trials and body composition data provide valuable indicators of fish nutritional status while omics technologies may contribute to a better understanding of fish nutrition and help to demonstrate how feed and nutrients act in fish metabolism

**fish nutrition sciencedirect** - Jan 11 2023

web features expansive updates to the previous edition including a new chapter dedicated to diet analysis and evaluation addresses the roles of fish nutrition and feeds on sustainability and the environmental impacts of aquaculture covers basic nutritional biochemistry and applied nutritional topics

**frontiers editorial fish nutrition metabolism and physiology** - Mar 01 2022

web jan 11 2022 aquatic foods from marine and freshwater play a significant role in nutrition of billions of people globally particularly during the covid 19 pandemic which has jeopardized the global food security tigchelaar et al 2021

*fish nutrition sciencedirect* - Mar 13 2023

web this third edition of fish nutrition is a comprehensive treatise on nutrient requirements and metabolism in major species of fish used in aquaculture or scientific experiments it covers nutrients required and used in cold water warm water fresh water and marine species for growth and reproduction

[nutrition in tropical aquaculture essentials of fish nutrition feeds](#) - Apr 02 2022

web this book is intended to teach undergraduate students the essentials of aquaculture nutrition feed formulation and feeding management it serves as a reference book for researchers in aquaculture aquaculturists fish farmers and aquaculture nutritionists for the basic understanding of the materials presented it is essential that the students

*the future of aquatic protein implications for protein sources in* - Nov 09 2022

web nov 22 2019 fish are valuable sources of nutrients and micronutrients and play an important role in human nutrition and the global food supply 9 16 17 in addition to being a rich source of high quality protein and essential amino acids fish are a dietary source of health promoting omega 3 or n 3 long chain polyunsaturated fatty acids lc pufa

[fish nutrition research past present and future aquaculture](#) - Feb 12 2023

web jan 14 2015 fish nutrition research currently encompasses studies of feed intake and the physiological mechanisms involved in its regulation nutrient requirements and interactions metabolic pathways and nutrient utilization fish growth reproduction and

*nutrition and health of aquaculture fish pubmed* - Aug 06 2022

web nutrition and health of aquaculture fish under intensive culture conditions fish are subject to increased stress owing to environmental water quality and hypoxia and health conditions parasites and infectious diseases all these factors have negative impacts on fish well being and overall performance with consequent economic losses

[fish nutrition in aquaculture s s de silva t a anderson](#) - Jun 16 2023

web nov 30 1994 springer science business media nov 30 1994 science 320 pages aquaculture is a growing industry a vital component of the subject is feeding the organisms under cultivation this book

**nutrition and environment interactions in aquaculture** - May 03 2022

web jan 3 2023 the efficient conversion of feed into fish or shellfish biomass is the primary goal of any fed aquaculture practice however the generation of waste outputs are inherently associated with this process cho and bureau 1997 nutrition feeds and feeding practices are thus considered to be a vital cog in the bidirectional relationship between

[aquaculture nutrition hindawi](#) - Apr 14 2023

web aquaculture nutrition provides a global perspective on the nutrition of all cultivated aquatic animals topics range from extensive aquaculture to laboratory studies of nutritional biochemistry and physiology

**fish nutrition 4th edition elsevier** - Oct 08 2022

web oct 19 2021 offer details description fish nutrition fourth edition is an up to date authoritative presentation of all key elements of the nutrition of fish and crustaceans as aquaculture is rapidly expanding more than 200 herbivorous and carnivorous species occupy a diverse range of ecological niches and have therefore evolved to utilize a wide

**pdf fish nutrition in aquaculture academia edu** - Jul 17 2023

web this review was conducted to investigate the significance underlying causes and negative effects of nutritional diseases of fish on aquaculture production and health safety information were collected from different secondary