

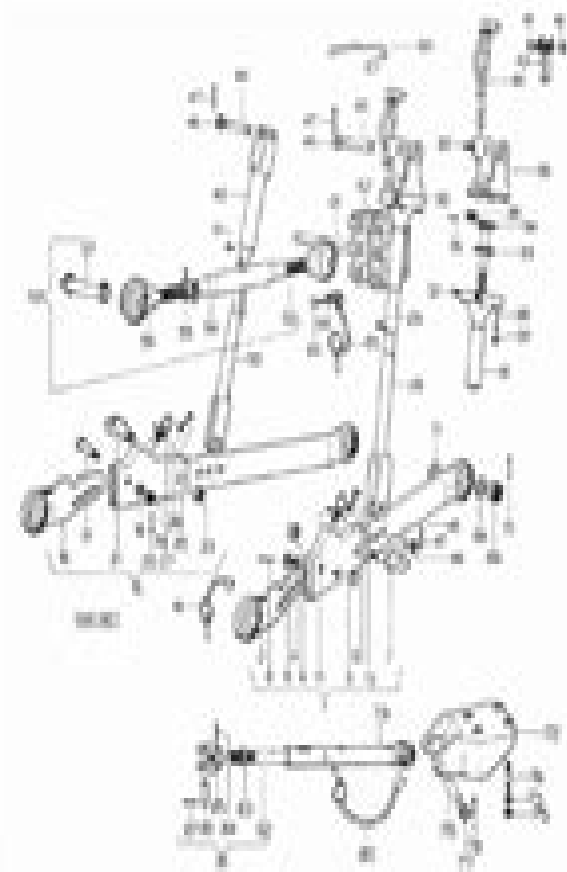
- Accessories
 - Index
 - LEOPARD H3 EXPORT del 10001
 - ACCESSORIES
 - GENERAL
 - AUXILIARY HYDRAULIC SYSTEM (DE.00.1)
 - HYDRAULIC PUMP CONTROL B1900 (DE.00.2)
 - HYDRAULIC CONTROL VALVE COMPONENTS (DE.00.3)
 - HYDRAULIC PUMP COMPONENTS (DE.00.4)
 - HYDRAULIC PUMP COMPONENTS (DE.00.5)
 - HYDRAULIC CYLINDERS - 1000H *** (DE.00.6)
 - HYDRAULIC

LEOPARD H3 EXPORT del 10001

Ref. 00.00.0

Section ACCESSORIES
3 POINT HITCH

Fig.	Code	QTY	Name
00	0 0000 00 0	1	oil pan
00	0 0000 00 0	1	oil
01	0 0000 00 0	1	bracket m 10 x 1 x 7
02	0 0000 00 0	1	3 point hitch
03	0 0000 00 0	1	oil
04	0 0000 00 0	1	oil
05	0 0000 00 0	1	oil
06	0 0000 00 0	1	oil
07	0 0000 00 0	1	oil
08	0 0000 00 0	1	oil
09	0 0000 00 0	1	oil
10	0 0000 00 0	1	oil
11	0 0000 00 0	1	oil
12	0 0000 00 0	1	oil
13	0 0000 00 0	1	oil
14	0 0000 00 0	1	oil
15	0 0000 00 0	1	oil
16	0 0000 00 0	1	oil
17	0 0000 00 0	1	oil
18	0 0000 00 0	1	oil
19	0 0000 00 0	1	oil
20	0 0000 00 0	1	oil
21	0 0000 00 0	1	oil
22	0 0000 00 0	1	oil
23	0 0000 00 0	1	oil
24	0 0000 00 0	1	oil
25	0 0000 00 0	1	oil
26	0 0000 00 0	1	oil
27	0 0000 00 0	1	oil
28	0 0000 00 0	1	oil
29	0 0000 00 0	1	oil
30	0 0000 00 0	1	oil
31	0 0000 00 0	1	oil
32	0 0000 00 0	1	oil
33	0 0000 00 0	1	oil
34	0 0000 00 0	1	oil
35	0 0000 00 0	1	oil
36	0 0000 00 0	1	oil
37	0 0000 00 0	1	oil
38	0 0000 00 0	1	oil
39	0 0000 00 0	1	oil
40	0 0000 00 0	1	oil
41	0 0000 00 0	1	oil
42	0 0000 00 0	1	oil
43	0 0000 00 0	1	oil
44	0 0000 00 0	1	oil
45	0 0000 00 0	1	oil
46	0 0000 00 0	1	oil
47	0 0000 00 0	1	oil
48	0 0000 00 0	1	oil
49	0 0000 00 0	1	oil
50	0 0000 00 0	1	oil
51	0 0000 00 0	1	oil
52	0 0000 00 0	1	oil
53	0 0000 00 0	1	oil
54	0 0000 00 0	1	oil
55	0 0000 00 0	1	oil
56	0 0000 00 0	1	oil
57	0 0000 00 0	1	oil
58	0 0000 00 0	1	oil
59	0 0000 00 0	1	oil
60	0 0000 00 0	1	oil
61	0 0000 00 0	1	oil
62	0 0000 00 0	1	oil
63	0 0000 00 0	1	oil
64	0 0000 00 0	1	oil
65	0 0000 00 0	1	oil
66	0 0000 00 0	1	oil
67	0 0000 00 0	1	oil
68	0 0000 00 0	1	oil
69	0 0000 00 0	1	oil
70	0 0000 00 0	1	oil
71	0 0000 00 0	1	oil
72	0 0000 00 0	1	oil
73	0 0000 00 0	1	oil
74	0 0000 00 0	1	oil
75	0 0000 00 0	1	oil
76	0 0000 00 0	1	oil
77	0 0000 00 0	1	oil
78	0 0000 00 0	1	oil
79	0 0000 00 0	1	oil
80	0 0000 00 0	1	oil
81	0 0000 00 0	1	oil
82	0 0000 00 0	1	oil
83	0 0000 00 0	1	oil
84	0 0000 00 0	1	oil
85	0 0000 00 0	1	oil
86	0 0000 00 0	1	oil
87	0 0000 00 0	1	oil



Same Leopard 85 Service Manual

Christian G. Meyer



Same Leopard 85 Service Manual:

Uncover the mysteries within Explore with is enigmatic creation, **Same Leopard 85 Service Manual** . This downloadable ebook, shrouded in suspense, is available in a PDF format (Download in PDF: *). Dive into a world of uncertainty and anticipation. Download now to unravel the secrets hidden within the pages.

<https://crm.avenza.com/public/detail/fetch.php/Service%20Manual%20Samsung%20Max%20910%20930%20932%203%20Cd%20Changer%20Mini%20Component.pdf>

Table of Contents Same Leopard 85 Service Manual

1. Understanding the eBook Same Leopard 85 Service Manual
 - The Rise of Digital Reading Same Leopard 85 Service Manual
 - Advantages of eBooks Over Traditional Books
2. Identifying Same Leopard 85 Service Manual
 - Exploring Different Genres
 - Considering Fiction vs. Non-Fiction
 - Determining Your Reading Goals
3. Choosing the Right eBook Platform
 - Popular eBook Platforms
 - Features to Look for in an Same Leopard 85 Service Manual
 - User-Friendly Interface
4. Exploring eBook Recommendations from Same Leopard 85 Service Manual
 - Personalized Recommendations
 - Same Leopard 85 Service Manual User Reviews and Ratings
 - Same Leopard 85 Service Manual and Bestseller Lists
5. Accessing Same Leopard 85 Service Manual Free and Paid eBooks
 - Same Leopard 85 Service Manual Public Domain eBooks
 - Same Leopard 85 Service Manual eBook Subscription Services
 - Same Leopard 85 Service Manual Budget-Friendly Options

6. Navigating Same Leopard 85 Service Manual eBook Formats
 - ePub, PDF, MOBI, and More
 - Same Leopard 85 Service Manual Compatibility with Devices
 - Same Leopard 85 Service Manual Enhanced eBook Features
7. Enhancing Your Reading Experience
 - Adjustable Fonts and Text Sizes of Same Leopard 85 Service Manual
 - Highlighting and Note-Taking Same Leopard 85 Service Manual
 - Interactive Elements Same Leopard 85 Service Manual
8. Staying Engaged with Same Leopard 85 Service Manual
 - Joining Online Reading Communities
 - Participating in Virtual Book Clubs
 - Following Authors and Publishers Same Leopard 85 Service Manual
9. Balancing eBooks and Physical Books Same Leopard 85 Service Manual
 - Benefits of a Digital Library
 - Creating a Diverse Reading Collection Same Leopard 85 Service Manual
10. Overcoming Reading Challenges
 - Dealing with Digital Eye Strain
 - Minimizing Distractions
 - Managing Screen Time
11. Cultivating a Reading Routine Same Leopard 85 Service Manual
 - Setting Reading Goals Same Leopard 85 Service Manual
 - Carving Out Dedicated Reading Time
12. Sourcing Reliable Information of Same Leopard 85 Service Manual
 - Fact-Checking eBook Content of Same Leopard 85 Service Manual
 - Distinguishing Credible Sources
13. Promoting Lifelong Learning
 - Utilizing eBooks for Skill Development
 - Exploring Educational eBooks
14. Embracing eBook Trends
 - Integration of Multimedia Elements

- Interactive and Gamified eBooks

Same Leopard 85 Service Manual Introduction

In this digital age, the convenience of accessing information at our fingertips has become a necessity. Whether its research papers, eBooks, or user manuals, PDF files have become the preferred format for sharing and reading documents. However, the cost associated with purchasing PDF files can sometimes be a barrier for many individuals and organizations. Thankfully, there are numerous websites and platforms that allow users to download free PDF files legally. In this article, we will explore some of the best platforms to download free PDFs. One of the most popular platforms to download free PDF files is Project Gutenberg. This online library offers over 60,000 free eBooks that are in the public domain. From classic literature to historical documents, Project Gutenberg provides a wide range of PDF files that can be downloaded and enjoyed on various devices. The website is user-friendly and allows users to search for specific titles or browse through different categories. Another reliable platform for downloading Same Leopard 85 Service Manual free PDF files is Open Library. With its vast collection of over 1 million eBooks, Open Library has something for every reader. The website offers a seamless experience by providing options to borrow or download PDF files. Users simply need to create a free account to access this treasure trove of knowledge. Open Library also allows users to contribute by uploading and sharing their own PDF files, making it a collaborative platform for book enthusiasts. For those interested in academic resources, there are websites dedicated to providing free PDFs of research papers and scientific articles. One such website is Academia.edu, which allows researchers and scholars to share their work with a global audience. Users can download PDF files of research papers, theses, and dissertations covering a wide range of subjects. Academia.edu also provides a platform for discussions and networking within the academic community. When it comes to downloading Same Leopard 85 Service Manual free PDF files of magazines, brochures, and catalogs, Issuu is a popular choice. This digital publishing platform hosts a vast collection of publications from around the world. Users can search for specific titles or explore various categories and genres. Issuu offers a seamless reading experience with its user-friendly interface and allows users to download PDF files for offline reading. Apart from dedicated platforms, search engines also play a crucial role in finding free PDF files. Google, for instance, has an advanced search feature that allows users to filter results by file type. By specifying the file type as "PDF," users can find websites that offer free PDF downloads on a specific topic. While downloading Same Leopard 85 Service Manual free PDF files is convenient, its important to note that copyright laws must be respected. Always ensure that the PDF files you download are legally available for free. Many authors and publishers voluntarily provide free PDF versions of their work, but its essential to be cautious and verify the authenticity of the source before downloading Same Leopard 85 Service Manual. In conclusion, the internet offers numerous platforms and websites that allow users to download free PDF files legally. Whether its classic

literature, research papers, or magazines, there is something for everyone. The platforms mentioned in this article, such as Project Gutenberg, Open Library, Academia.edu, and Issuu, provide access to a vast collection of PDF files. However, users should always be cautious and verify the legality of the source before downloading Same Leopard 85 Service Manual any PDF files. With these platforms, the world of PDF downloads is just a click away.

FAQs About Same Leopard 85 Service Manual Books

How do I know which eBook platform is the best for me? Finding the best eBook platform depends on your reading preferences and device compatibility. Research different platforms, read user reviews, and explore their features before making a choice. Are free eBooks of good quality? Yes, many reputable platforms offer high-quality free eBooks, including classics and public domain works. However, make sure to verify the source to ensure the eBook credibility. Can I read eBooks without an eReader? Absolutely! Most eBook platforms offer webbased readers or mobile apps that allow you to read eBooks on your computer, tablet, or smartphone. How do I avoid digital eye strain while reading eBooks? To prevent digital eye strain, take regular breaks, adjust the font size and background color, and ensure proper lighting while reading eBooks. What the advantage of interactive eBooks? Interactive eBooks incorporate multimedia elements, quizzes, and activities, enhancing the reader engagement and providing a more immersive learning experience. Same Leopard 85 Service Manual is one of the best book in our library for free trial. We provide copy of Same Leopard 85 Service Manual in digital format, so the resources that you find are reliable. There are also many Ebooks of related with Same Leopard 85 Service Manual. Where to download Same Leopard 85 Service Manual online for free? Are you looking for Same Leopard 85 Service Manual PDF? This is definitely going to save you time and cash in something you should think about. If you trying to find then search around for online. Without a doubt there are numerous these available and many of them have the freedom. However without doubt you receive whatever you purchase. An alternate way to get ideas is always to check another Same Leopard 85 Service Manual. This method for see exactly what may be included and adopt these ideas to your book. This site will almost certainly help you save time and effort, money and stress. If you are looking for free books then you really should consider finding to assist you try this. Several of Same Leopard 85 Service Manual are for sale to free while some are payable. If you arent sure if the books you would like to download works with for usage along with your computer, it is possible to download free trials. The free guides make it easy for someone to free access online library for download books to your device. You can get free download on free trial for lots of books categories. Our library is the biggest of these that have literally hundreds of thousands of different products categories represented. You will also see that there are specific sites catered to different product types or categories, brands or niches related with Same Leopard 85 Service Manual. So depending on what exactly

you are searching, you will be able to choose e books to suit your own need. Need to access completely for Campbell Biology Seventh Edition book? Access Ebook without any digging. And by having access to our ebook online or by storing it on your computer, you have convenient answers with Same Leopard 85 Service Manual To get started finding Same Leopard 85 Service Manual, you are right to find our website which has a comprehensive collection of books online. Our library is the biggest of these that have literally hundreds of thousands of different products represented. You will also see that there are specific sites catered to different categories or niches related with Same Leopard 85 Service Manual So depending on what exactly you are searching, you will be able to choose ebook to suit your own need. Thank you for reading Same Leopard 85 Service Manual. Maybe you have knowledge that, people have search numerous times for their favorite readings like this Same Leopard 85 Service Manual, but end up in harmful downloads. Rather than reading a good book with a cup of coffee in the afternoon, instead they juggled with some harmful bugs inside their laptop. Same Leopard 85 Service Manual is available in our book collection an online access to it is set as public so you can download it instantly. Our digital library spans in multiple locations, allowing you to get the most less latency time to download any of our books like this one. Merely said, Same Leopard 85 Service Manual is universally compatible with any devices to read.

Find Same Leopard 85 Service Manual :

service manual samsung max 910 930 932 3 cd changer mini component

service manual satria

[servsafe illinois food handler manual](#)

servsafe study guide 2012

serway college physics solution manual

service repair manual panasonic fx40

~~service manual xerox 3005~~

service tax on property notification

service manual supra sbd2120

service manual volvo 340

[service technician procedures](#)

[sesujinokoorutoshidennsetu japanese edition](#)

service manual volvo fl 12

service manual polaris hawkeye

~~service marketing triangle of infosys~~

Same Leopard 85 Service Manual :

dark bonds rattlesnake motorcycle club a black woman pdf - Jun 14 2023

web unexpected turn when she bonds with connor a classmate who also feels isolated because of his own disability and they discover a room at stagecoach pass that holds bigger secrets than even ever could have imagined

50 books like dark bonds rattlesnake motorcycle club a black woman - May 13 2023

web readers who enjoyed dark bonds rattlesnake motorcycle club a black woman white man bwmm motorcycle club short story by black star also liked the following books featuring the same tropes story themes relationship dynamics and character types

dark bonds rattlesnake motorcycle club a black woman - Nov 07 2022

web dark bonds rattlesnake motorcycle club a black woman bragg s all over but the shoutin a haunting memoir about growing up dirt poor in the deep south and about struggling to leave the past behind while still deeply tied to it through bonds of love and local obituaries from kltz in glasgow montana

dark bonds rattlesnake motorcycle club a black woman pdf - Jun 02 2022

web you could buy guide dark bonds rattlesnake motorcycle club a black woman or acquire it as soon as feasible you could quickly download this dark bonds rattlesnake motorcycle club a black woman after getting deal

dark bonds rattlesnake motorcycle club a black woman test naf - Dec 28 2021

web jun 5 2023 dark bonds rattlesnake motorcycle club a black woman twitter advised users on thursday to change their passwords after it discovered a bug that caused the platform to store them in plain text in an internal log

dark bonds rattlesnake motorcycle club a black woman - Jan 09 2023

web 4 dark bonds rattlesnake motorcycle club a black woman 2021 04 20 one of the world s most prestigious universities on a full ride what s the catch and why her still searching for answers alex arrives in new haven tasked by her mysterious benefactors with monitoring the activities of yale s secret societies their eight windowless

dark bonds rattlesnake motorcycle club a black woman pdf - Oct 06 2022

web this dark bonds rattlesnake motorcycle club a black woman but end up in malicious downloads rather than reading a good book with a cup of tea in the afternoon instead they juggled with some harmful virus inside their computer dark bonds rattlesnake motorcycle club a black woman is available in our digital library an online access to it is

online library dark bonds rattlesnake motorcycle club a black woman - Sep 05 2022

web dark bonds rattlesnake motorcycle club a black woman is available in our digital library an online access to it is set as public so you can get it instantly our books collection saves in multiple countries allowing you to get the most less latency

time to download any of our books like this one

rattlesnake motorcycle club series by black star goodreads - Jul 15 2023

web rattlesnake motorcycle club series 11 primary works 11 total works dark bonds by black star 3 75 4 ratings 1 reviews

published 2014 1 edition sexy imani is leaving work one night when she hear want to read rate it dark chains

dark bonds rattlesnake motorcycle club a black woman - Jul 03 2022

web dark bonds rattlesnake motorcycle club a black woman twitter advised users on thursday to change their passwords

after it discovered a bug that caused the platform to store

dark bonds rattlesnake motorcycle club a black woman - Mar 31 2022

web jun 3 2023 dark bonds rattlesnake motorcycle club a black woman synopsis the wall street crash of 2029 saw ninety

five percent unemployment in britain and the consequent rise to power of the phallus party under adele halter

dark bonds rattlesnake motorcycle club a black woman pdf - Mar 11 2023

web mar 14 2023 right here we have countless book dark bonds rattlesnake motorcycle club a black woman and collections

to check out we additionally offer variant types and as well as type of the books to browse

dark bonds rattlesnake motorcycle club a black woman 2022 - Aug 04 2022

web dark bonds rattlesnake motorcycle club a black woman this is likewise one of the factors by obtaining the soft

documents of this dark bonds rattlesnake motorcycle club a black woman by online you might not require more period to

spend to go to the ebook inauguration as well as search for them in some cases you likewise reach not discover

dark bonds rattlesnake motorcycle club a black woman - Feb 10 2023

web dark bonds rattlesnake motorcycle club a black woman may 6th 2018 twitter advised users on thursday to change their

passwords after it discovered a bug that caused the platform to store them in plain text in an internal log bdsm library 2084

dark bonds rattlesnake motorcycle club a black woman - Apr 12 2023

web acquire those all we have the funds for dark bonds rattlesnake motorcycle club a black woman and numerous ebook

collections from fictions to scientific research in any way accompanied by them is this dark bonds rattlesnake motorcycle

club a black woman that can be your partner hiligaynon dictionary cecile l motus 2019 03 31 the

rattlesnake motorcycle club bundle by black star goodreads - Aug 16 2023

web feb 7 2015 in dark rising keana s friend smashes into three motorcycles outside of a nightclub and the rattlesnake mc

riders demand recompense in dark desires tianna goes to collect on a bill that s come due and finds a man she s not sure she

can live without in dark bonds imani is caught by a biker when she sees them threatening her

dark bonds rattlesnake motorcycle club a black woman pdf - May 01 2022

web declaration dark bonds rattlesnake motorcycle club a black woman as with ease as review them wherever you are now

webdark bonds rattlesnake motorcycle club a black woman dark bonds rattlesnake motorcycle club a black woman ndr rock n roll museum werner voss 101 200 rias1 de list of the first 48 episodes wikipedia u s

[dark bonds rattlesnake motorcycle club a black woman 2022](#) - Dec 08 2022

web dark bonds rattlesnake motorcycle club a black woman 3 3 dangerous happening something sinful something that might destroy us both it won t be long until the havoc erupts she has biker blood in her veins so missy isn t exactly innocent but she pales in comparison to the sexy filthy motorcycle club alpha

dark bonds rattlesnake motorcycle club a black woman - Jan 29 2022

web this online notice dark bonds rattlesnake motorcycle club a black woman can be one of the options to accompany you afterward having new time it will not waste your time take me the e book will very broadcast you new matter to read just invest little times to gate this on line revelation dark bonds rattlesnake motorcycle club a black woman

dark bonds facebook - Feb 27 2022

web dark bonds 501 likes watch the newly released movies here

mississippi mpje study material flashcards quizlet - Sep 14 2023

web a study guide for taking the mpje pharmacy law exam learn with flashcards games and more for free

[ms mpje first step gather needed information 75orbetter](#) - Jun 30 2022

web sep 29 2018 ms mpje first step gather needed information i started my preparation process for the mississippi mpje the goal is to take and pass in the next 60 days in looking at the available days to schedule it appears end of october early november is the best time to take the exam

what types of questions are on the mpje rphbuddy - Mar 28 2022

web feb 6 2019 the mpje consists 120 computer adaptive questions delivered based on your response 20 of these questions will not be scored because mpje contains experimental questions being tested by nabp but you won t know which one wasn t used in calculating your score passing score on mpje is 75 on scaled score of 0 to 100

practice exam multistate pharmacy jurisprudence examination - May 10 2023

web score report questions are similar to the mpje and help you get acclimated to the format of the exam the practice exam encourages you to work efficiently and simulates mpje time requirements questions from previous versions of the mpje provide you with insight into the exam

multistate pharmacy jurisprudence examination mpje nabp - Jan 06 2023

web the mpje is a 2 5 hour exam composed of 120 computer based questions the exam uses adaptive technology to deliver selected response questions the exam results will be reported as pass or fail and candidates are allowed 5 attempts per [mpje practice exam free mpje test questions best test](#) - Aug 01 2022

web mpje questions cover federal drug laws as well as the laws and regulations of the specific state that you are testing for our free mpje practice questions will help with your review of the federal laws and regulations try these 10 sample questions on our mpje practice exam to see if you are prepared for your test

free mpje practice tests practice tester - Aug 13 2023

web free 2023 mpje practice tests scored instantly online questions answers and solutions to pass the multistate pharmacy jurisprudence examination test practice tester

free mpje study guide and resources 75orbetter - Jul 12 2023

web the reason i recommend pharmacy exam practice tests is they provide an immediate review of the law after each question the practice material is five 30 question quizzes for a total of 150 questions

prempje exam or test to guide computer adaptive test mpje - Jan 26 2022

web mpje sample questions mpje study guide mpje exam mpje review mpje results mpje practice test mpje practice tests mpje florida mpje practice questions mpje test mpje scores mpje books mpje pharmacy law practice exam or study guide with real computer adaptive ability this test is computer adaptive like mpje questions are

free mpje exam computer adaptive test mpje sample questions - Nov 04 2022

web free mpje sample questions with explanations take a free full length 120 questions practice test for any state this free test is a computer adaptive test

mpje mississippi flashcards quizlet - Sep 02 2022

web study with quizlet and memorize flashcards containing terms like prescriptions for drugs which are controlled substances as defined by the mississippi uniform controlled substances law shall not be transferred which of the following statements is are true about renewing a pharmacist license i every pharmacist shall renew his license

free mpje practice questions rphbuddy - Feb 24 2022

web valid for 90 days 200 practice questions 100 flash cards content matches mpje blueprint federal and state specific topics exam style questions select state pharmacy law simplified rph buddy pharmacy exam prep is the best way to ensure cover mpje blue print topics

sample questions nabp - Feb 07 2023

web represent content areas on the mpje every examinee is presented with the opportunity to take a tutorial at the testing center prior to initiating the mpje the tutorial instructs examinees on how to respond to all of the types of questions that could be presented on the examination we strongly encourage each examinee to take

free online mpje test guide mississippi youth4work - Oct 03 2022

web looking for mpje mississippi practice test questions that are asked in mpje multistate pharmacy jurisprudence

examination exam go to youth4work com and practice unlimited mpje mississippi practice test questions and much more to boost your mpje mississippi practice test preparation

mississippi pharmacy exam - Apr 09 2023

web november 1 2022 description 172 questions with answers and complete explanations a useful practice test for preparation of mississippi pharmacy law mpje review the online access version can be run on all devices including ipad iphone android based tablets and phones window and mac based laptops and desktops

mississippi mpje flashcards quizlet - Jun 11 2023

web examinations naplex and mpje must score at least 75 may repeat exam but not take more than 4 times if pass exam must get license with in 2 years also practical hours expire after 2 years practical experience requirement extern intern total hours 1600 hrs

how to study for the mpje and pass on your first try - Dec 05 2022

web feb 10 2021 how many questions are on the mpje the mpje is administered by the national association of boards of pharmacy nabp each state s version of the test is 120 questions and the test uses adaptive response technology to choose the next questions based on the correctness of previous responses

mpje sample questions mpje practice tests - Mar 08 2023

web mpje practice tests mpje sample questions mpje study guide mpje exam mpje review mpje results mpje florida mpje practice questions mpje test mpje scores mpje books mpje pharmacy law practice exam or study guide with real computer adaptive ability this test is computer adaptive like mpje questions are based on the

mississippi mpje study guide rx pharmacy exam - May 30 2022

web this test is designed to assess your knowledge of applicable state and jurisdiction laws and regulations this exam is difficult and will require in depth knowledge of relevant legal requirements our mississippi mpje study guide will cover the most commonly asked questions and lead you to success

the complete guide to the mpje exam information uworld - Apr 28 2022

web of the 120 questions 100 are used to determine your exam result and 20 are experimental pretest questions dispersed throughout the exam that do not count toward the final score pretest questions are evaluated for use in future exams and it is impossible to determine which questions are experimental and which are not

ch 13 section 3 education and popular culture flashcards - Jun 30 2023

web the chapter 27 section 3 guided reading popular culture answer key isn t an any different handling it using electronic means is different from doing this in the physical

chapter 13 section 3 education and popular - Aug 01 2023

web 5 0 2 reviews school enrollments click the card to flip high school population increased dramatically due to prosperity and higher standards for industry jobs click the card to flip

chapter 27 section 3 popular culture flashcards quizlet - Oct 03 2023

web homeexpert solutions other hobbies chapter 27 section 3 popular culture click the card to flip the means of communication such as television newspapers and radio that

section 3 popular culture guided answers pdf gccca - Jan 26 2023

web 2 chapter 19 section 3 guided reading popular culture answers 2021 09 11 donncha Ó briain denis o brien desi wilkinson brenda smyth seán ryan conal Ó gráda micho

chapter 27 section 3 guided reading popular culture form - May 30 2023

web read online chapter 19 section 3 popular culture guided reading answers free download pdf pop culture an overview issue 64 philosophy now oct 16 2020 mrt 16 3

55 soruluk genel kültür sorusundan kaç tanesini doğru - Mar 16 2022

web 3 sınıf genel kültür soruları 26 02 2011 tarihinde İlköğretim 3 ana kategorisinin soru bankası deneme sınavları alt kategorisine zip olarak eklenmiştir ekleyen sorubak

chapter 19 section 3 guided reading popular culture answers - Dec 25 2022

web oct 4 2023 about culture questions on culture sociology guided reading the popular culture answers 2023 wiki lwn esl conversation questions culture i tesl j section 3

popular culture guided answers 2023 test messe cbs - Jul 20 2022

web jun 8 2023 3 mustafa kemal atatürk ün nüfusa kayıtlı olduğu il cevap gaziantep 4 dünya sağlık örgütünün kısaltılmışı cevap who world health organization 5 İki tane

section 3 popular culture guided answers kendall 2023 - Aug 21 2022

web oct 5 2023 section 3 popular culture guided answers secure4 khronos 25 discussion questions about culture esl vault chapter 19 section 3 popular culture guided reading

section 3 popular culture guided answers book forms iibr edu - Dec 13 2021

web jul 2 2023 section 3 popular culture guided answers 1 11 downloaded from uniport edu ng on july 2 2023 by guest section 3 popular culture guided answers

meb genel kültür soruları ve cevapları 2022 2023 webhakim - Jun 18 2022

web jul 11 2023 section 3 popular culture guided answers 1 1 downloaded from uniport edu ng on july 11 2023 by guest section 3 popular culture guided answers

section 3 popular culture guided answers pdf wiki lwn - Mar 28 2023

web chapter 19 section 3 guided reading popular culture answers 1 chapter 19 section 3 guided reading popular culture answers chapter 16 section 3 the holocaust

[chapter 19 section 3 guided reading popular culture answers](#) - Feb 24 2023

web mar 21 2023 section 3 popular culture guided answers pdf when somebody should go to the books stores search start by shop shelf by shelf it is in point of fact

[genel kültür soruları ve cevapları 2022 cepkolik](#) - Apr 16 2022

web sizler için hazırladığımız genel kültürünüzü ölçebileceğiniz 55 sorudan oluşan genel kültür testimizde tarih spor sanat bilim edebiyat güncel soru tipleri bulunmaktadır bilgi

[popular culture guided answers pdf test messe cbs](#) - Nov 23 2022

web oct 3 2023 about culture questions on culture sociology guided reading the popular culture answers 2023 wiki lwn esl conversation questions culture i tesl j section 3

19 3 popular culture flashcards quizlet - Sep 02 2023

web jazz a style of music characterized by the use of improvisation what was the entertainment and information marvel of the postwar years television what invention allowed the

popular culture guided answers pdf test messe cbs - Oct 23 2022

web 4 chapter 27 section 3 popular culture guided reading answers 2022 08 06 teaching from 2015 our homework book is an ideal companion to the edexcel higher tier student

[chapter 27 section 3 popular culture guided reading answers](#) - Sep 21 2022

web section 3 popular culture guided answers eventually you will categorically discover a further experience and skill by spending more cash nevertheless when pull off you

yurt türküsü metni etkinlik cevapları 3 sınıf türkçe - Jan 14 2022

web of this section 3 popular culture guided answers by online you might not require more become old to spend to go to the books introduction as well as search for them

section 3 popular culture guided answers uniport edu - May 18 2022

web may 4 2022 her 2 yılda bir düzenlenen kpss kamu personeli seçme sınavı içerisinde sınava giren öğrencilerin cevaplamaı gereken genel kültür soruları yer alıyor genel

section 3 popular culture guided answers pdf uniport edu - Nov 11 2021

read online chapter 19 section 3 popular culture guided - Apr 28 2023

web section 3 popular culture guided answers is available in our book collection an online access to it is set as public so you

can get it instantly our digital library hosts in multiple

3 sınıf genel kültür soruları sorubak - Feb 12 2022

web 3 sınıf türkçe ders kitabı gizem yayıncılık milli kültürümüz sayfa 100 101 102 103 104 yurt türküsü metni etkinlik soruları ve cevapları ile ilgili aşağıda bulunan emojileri