

# Pontiac Montana 2005-2009 Workshop Manual

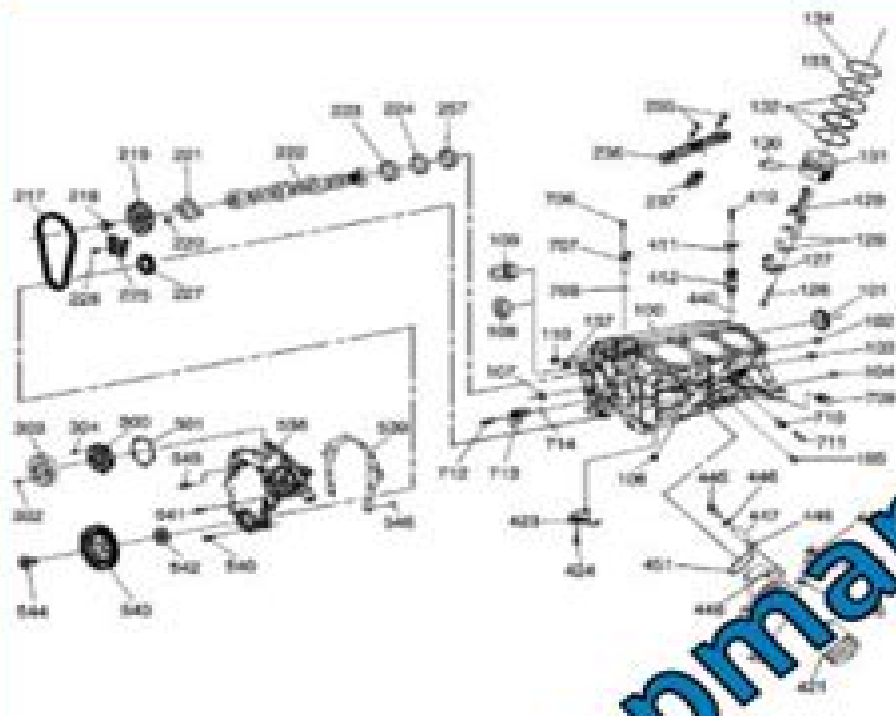


Fig. 3: Identifying Engine Block & Component  
Courtesy of GENERAL MOTORS CORP.

## Callouts For Fig. 3

Callout	Component Name
100	Engine Block
101	Camshaft Oil Sealing Hole Plug
102	Engine Block Oil Gallery Plug Assembly - Rear
103	Engine Block Oil Gallery Plug Assembly - Rear
104	Division Locating Pin
105	Engine Block Coolant Drain Hole Plug
106	Oil Filter Bypass Hole Plug Assembly
107	Engine Block Oil Gallery Plug Assembly - Front
108	Engine Block Heater Plug

**Tighten:** Tighten the bolts to 58 N·m (43 lb-ft).

Use the utility stand in order to lower the engine.

**PDF  
Download**



Fig. 31: Identifying Engine Mount Lower Nuts  
Courtesy of GENERAL MOTORS CORP.

Install the engine mount lower nuts.

**Tighten:** Tighten the nuts to 47 N·m (35 lb-ft).

Install the right engine splash shield. Refer to **Splash Shield Replacement - Engine in Body Front End**.

Install the right front wheel and tire. Refer to **Tire and Wheel Removal and Installation**.

Connect the catalytic converter pipe to the engine exhaust manifold. Refer to **Catalytic Converter Replacement in Engine Exhaust**.

Lower the vehicle.

# Pontiac Montana Engine Repair Manual

**H Kauffman**



## **Pontiac Montana Engine Repair Manual:**

*jeep cherokee and comanche automotive repair manual* ,2000      **Automotive Body Repair & Painting Manual** John Haynes,1989-10-15 This is a complete do it yourself guide What you can learn Full color sections on minor repairs and painting Damage repair Painting Rust Repair Additional detailed information includes Rustproofing and undercoating Tools and equipment Repair of minor dents and rust damage Metal working techniques Major rust repair Body component replacement Sanding and painting Car care and detailing Welding Table of Contents Chapter 1 Introduction Chapter 2 Maintaining and preserving the paint body and interior Chapter 3 Damage repair Doing it yourself or having it done Chapter 4 Tools and working facilities Chapter 5 Minor body repairs Chapter 6 Major body repair Chapter 7 Body component replacement Chapter 8 Preparation for painting Chapter 9 Painting Chapter 10 Doors and glass Chapter 11 Trim and accessories Chapter 12 Welding      **Jeep Grand Cherokee Automotive Repair Manual** Larry Warren,John Harold Haynes,2000 Models covered all Jeep Grand Cherokee models 1993 through 2000      **American Book Publishing Record** ,2007      *Postal Service Manual* United States Postal Service,1975      **Cars & Parts** ,1979      **Catalog of Copyright Entries. Third Series** Library of Congress. Copyright Office,1956 Includes Part 1 Number 1 Books and Pamphlets Including Serials and Contributions to Periodicals January June      **Moody's Manual of Investments and Security Rating Service** ,1926      [Haynes Xtreme Customizing Ford Full-size Pick-ups](#) John Haynes,2005-01-23 This step by step color guide for the Ford full size pick up owner shows you how to customize your truck from top to bottom Haynes publishers of the best automotive manuals for repairing your vehicle now offers the same easy to follow step by step process for customizing your truck Everything from adding a custom front grille to transforming your cab with awesome audio and video can be found in this comprehensive book And since it s from Haynes it s easy to do it yourself Complete coverage on customizing your Ford Pick up Raise or Lower your Suspension Add In car Video Brake Upgrades Body Exterior Custom Painting Build a Sound System Engine Performance Interior Mods Handy Tips and Tricks from the Experts 100s of Customizing Ideas Full Color throughout      **Airman's Information Manual** ,1969      [Popular Mechanics](#) ,1944-12 Popular Mechanics inspires instructs and influences readers to help them master the modern world Whether it s practical DIY home improvement tips gadgets and digital technology information on the newest cars or the latest breakthroughs in science PM is the ultimate guide to our high tech lifestyle      *Moody's Municipal & Government Manual* ,1926      **Popular Mechanics** ,1937-08 Popular Mechanics inspires instructs and influences readers to help them master the modern world Whether it s practical DIY home improvement tips gadgets and digital technology information on the newest cars or the latest breakthroughs in science PM is the ultimate guide to our high tech lifestyle      **Flying Magazine** ,1942-07      *Popular Mechanics* ,1999-11 Popular Mechanics inspires instructs and influences readers to help them master the modern world Whether it s practical DIY home improvement tips gadgets and digital technology information on the newest cars or the latest breakthroughs in science PM is

the ultimate guide to our high tech lifestyle      **Popular Mechanics** ,1945-03 Popular Mechanics inspires instructs and influences readers to help them master the modern world Whether it s practical DIY home improvement tips gadgets and digital technology information on the newest cars or the latest breakthroughs in science PM is the ultimate guide to our high tech lifestyle      *Moody's Manual of Investments, American and Foreign* ,1928      *Popular Mechanics* ,1944-02 Popular Mechanics inspires instructs and influences readers to help them master the modern world Whether it s practical DIY home improvement tips gadgets and digital technology information on the newest cars or the latest breakthroughs in science PM is the ultimate guide to our high tech lifestyle      **Popular Mechanics** ,1945-02 Popular Mechanics inspires instructs and influences readers to help them master the modern world Whether it s practical DIY home improvement tips gadgets and digital technology information on the newest cars or the latest breakthroughs in science PM is the ultimate guide to our high tech lifestyle      **Moody's Manual of Investments** John Sherman Porter,1929 American government securities 1928 53 in 5 annual vols v 1 Railroad securities 1952 53 Transportation v 2 Industrial securities v 3 Public utility securities v 4 Government securities 1928 54 v 5 Banks insurance companies investment trusts real estate finance and credit companies 1928 54

Getting the books **Pontiac Montana Engine Repair Manual** now is not type of inspiring means. You could not only going once books growth or library or borrowing from your connections to admittance them. This is an utterly simple means to specifically acquire guide by on-line. This online statement Pontiac Montana Engine Repair Manual can be one of the options to accompany you as soon as having further time.

It will not waste your time. agree to me, the e-book will extremely ventilate you other concern to read. Just invest tiny mature to gain access to this on-line publication **Pontiac Montana Engine Repair Manual** as without difficulty as evaluation them wherever you are now.

<https://crm.avenza.com/data/Resources/Documents/sample%20common%20app%20essays.pdf>

## **Table of Contents Pontiac Montana Engine Repair Manual**

1. Understanding the eBook Pontiac Montana Engine Repair Manual
  - The Rise of Digital Reading Pontiac Montana Engine Repair Manual
  - Advantages of eBooks Over Traditional Books
2. Identifying Pontiac Montana Engine Repair Manual
  - Exploring Different Genres
  - Considering Fiction vs. Non-Fiction
  - Determining Your Reading Goals
3. Choosing the Right eBook Platform
  - Popular eBook Platforms
  - Features to Look for in an Pontiac Montana Engine Repair Manual
  - User-Friendly Interface
4. Exploring eBook Recommendations from Pontiac Montana Engine Repair Manual
  - Personalized Recommendations
  - Pontiac Montana Engine Repair Manual User Reviews and Ratings
  - Pontiac Montana Engine Repair Manual and Bestseller Lists

5. Accessing Pontiac Montana Engine Repair Manual Free and Paid eBooks
  - Pontiac Montana Engine Repair Manual Public Domain eBooks
  - Pontiac Montana Engine Repair Manual eBook Subscription Services
  - Pontiac Montana Engine Repair Manual Budget-Friendly Options
6. Navigating Pontiac Montana Engine Repair Manual eBook Formats
  - ePub, PDF, MOBI, and More
  - Pontiac Montana Engine Repair Manual Compatibility with Devices
  - Pontiac Montana Engine Repair Manual Enhanced eBook Features
7. Enhancing Your Reading Experience
  - Adjustable Fonts and Text Sizes of Pontiac Montana Engine Repair Manual
  - Highlighting and Note-Taking Pontiac Montana Engine Repair Manual
  - Interactive Elements Pontiac Montana Engine Repair Manual
8. Staying Engaged with Pontiac Montana Engine Repair Manual
  - Joining Online Reading Communities
  - Participating in Virtual Book Clubs
  - Following Authors and Publishers Pontiac Montana Engine Repair Manual
9. Balancing eBooks and Physical Books Pontiac Montana Engine Repair Manual
  - Benefits of a Digital Library
  - Creating a Diverse Reading Collection Pontiac Montana Engine Repair Manual
10. Overcoming Reading Challenges
  - Dealing with Digital Eye Strain
  - Minimizing Distractions
  - Managing Screen Time
11. Cultivating a Reading Routine Pontiac Montana Engine Repair Manual
  - Setting Reading Goals Pontiac Montana Engine Repair Manual
  - Carving Out Dedicated Reading Time
12. Sourcing Reliable Information of Pontiac Montana Engine Repair Manual
  - Fact-Checking eBook Content of Pontiac Montana Engine Repair Manual
  - Distinguishing Credible Sources
13. Promoting Lifelong Learning

- Utilizing eBooks for Skill Development
  - Exploring Educational eBooks
14. Embracing eBook Trends
- Integration of Multimedia Elements
  - Interactive and Gamified eBooks

### **Pontiac Montana Engine Repair Manual Introduction**

Free PDF Books and Manuals for Download: Unlocking Knowledge at Your Fingertips In today's fast-paced digital age, obtaining valuable knowledge has become easier than ever. Thanks to the internet, a vast array of books and manuals are now available for free download in PDF format. Whether you are a student, professional, or simply an avid reader, this treasure trove of downloadable resources offers a wealth of information, conveniently accessible anytime, anywhere. The advent of online libraries and platforms dedicated to sharing knowledge has revolutionized the way we consume information. No longer confined to physical libraries or bookstores, readers can now access an extensive collection of digital books and manuals with just a few clicks. These resources, available in PDF, Microsoft Word, and PowerPoint formats, cater to a wide range of interests, including literature, technology, science, history, and much more. One notable platform where you can explore and download free Pontiac Montana Engine Repair Manual PDF books and manuals is the internet's largest free library. Hosted online, this catalog compiles a vast assortment of documents, making it a veritable goldmine of knowledge. With its easy-to-use website interface and customizable PDF generator, this platform offers a user-friendly experience, allowing individuals to effortlessly navigate and access the information they seek. The availability of free PDF books and manuals on this platform demonstrates its commitment to democratizing education and empowering individuals with the tools needed to succeed in their chosen fields. It allows anyone, regardless of their background or financial limitations, to expand their horizons and gain insights from experts in various disciplines. One of the most significant advantages of downloading PDF books and manuals lies in their portability. Unlike physical copies, digital books can be stored and carried on a single device, such as a tablet or smartphone, saving valuable space and weight. This convenience makes it possible for readers to have their entire library at their fingertips, whether they are commuting, traveling, or simply enjoying a lazy afternoon at home. Additionally, digital files are easily searchable, enabling readers to locate specific information within seconds. With a few keystrokes, users can search for keywords, topics, or phrases, making research and finding relevant information a breeze. This efficiency saves time and effort, streamlining the learning process and allowing individuals to focus on extracting the information they need. Furthermore, the availability of free PDF books and manuals fosters a culture of continuous learning. By removing financial barriers, more people can access educational resources and pursue lifelong

learning, contributing to personal growth and professional development. This democratization of knowledge promotes intellectual curiosity and empowers individuals to become lifelong learners, promoting progress and innovation in various fields. It is worth noting that while accessing free Pontiac Montana Engine Repair Manual PDF books and manuals is convenient and cost-effective, it is vital to respect copyright laws and intellectual property rights. Platforms offering free downloads often operate within legal boundaries, ensuring that the materials they provide are either in the public domain or authorized for distribution. By adhering to copyright laws, users can enjoy the benefits of free access to knowledge while supporting the authors and publishers who make these resources available. In conclusion, the availability of Pontiac Montana Engine Repair Manual free PDF books and manuals for download has revolutionized the way we access and consume knowledge. With just a few clicks, individuals can explore a vast collection of resources across different disciplines, all free of charge. This accessibility empowers individuals to become lifelong learners, contributing to personal growth, professional development, and the advancement of society as a whole. So why not unlock a world of knowledge today? Start exploring the vast sea of free PDF books and manuals waiting to be discovered right at your fingertips.

### **FAQs About Pontiac Montana Engine Repair Manual Books**

How do I know which eBook platform is the best for me? Finding the best eBook platform depends on your reading preferences and device compatibility. Research different platforms, read user reviews, and explore their features before making a choice. Are free eBooks of good quality? Yes, many reputable platforms offer high-quality free eBooks, including classics and public domain works. However, make sure to verify the source to ensure the eBook credibility. Can I read eBooks without an eReader? Absolutely! Most eBook platforms offer web-based readers or mobile apps that allow you to read eBooks on your computer, tablet, or smartphone. How do I avoid digital eye strain while reading eBooks? To prevent digital eye strain, take regular breaks, adjust the font size and background color, and ensure proper lighting while reading eBooks. What the advantage of interactive eBooks? Interactive eBooks incorporate multimedia elements, quizzes, and activities, enhancing the reader engagement and providing a more immersive learning experience. Pontiac Montana Engine Repair Manual is one of the best book in our library for free trial. We provide copy of Pontiac Montana Engine Repair Manual in digital format, so the resources that you find are reliable. There are also many Ebooks of related with Pontiac Montana Engine Repair Manual. Where to download Pontiac Montana Engine Repair Manual online for free? Are you looking for Pontiac Montana Engine Repair Manual PDF? This is definitely going to save you time and cash in something you should think about.



**Find Pontiac Montana Engine Repair Manual :**

**sample common app essays**

[sample case study paper](#)

[safeway tuscan tomato soup recipe](#)

[samba vw wiring diagram](#)

[salesforce developer certification study guide](#)

**salvatore ferragamo f54mba78201s781 watches owners manual**

**sample cover letter for scholarship presentation**

[salt and peper squid recipe](#)

[salmon with peas recipe](#)

[sales manual template](#)

**samhs application form 2014**

[sage simple comptable guide](#)

[salon training manual](#)

**sample aba session by session**

[saint seiya deluxe les chevaliers du zodiaque tome](#)

**Pontiac Montana Engine Repair Manual :**

**melville mapping and globalization literary cartography in the** - Mar 16 2023

web in melville mapping and globalization robert tally argues that melville does not belong in the tradition of the american renaissance but rather creates a bar

[melvillemappingand globalizationliterary carto](#) - Nov 12 2022

web melville sanborn argues that melville produced a postcolonial perspective even as nations were building colonial empires media and information literacy curriculum for educators and learners princeton university press this broad thematic study offers a major new research perspective on international migration in the context of globalisation

**melville mapping and globalization literary cartography in the** - Aug 21 2023

web in melville mapping and globalization robert tally argues that melville does not belong in the tradition of the american renaissance but rather creates a baroque literary cartography artistically engaging with spaces beyond the national model

[melville mapping and globalization literary carto](#) - Apr 05 2022

web 2 melville mapping and globalization literary carto 2022 08 31 the best of current literary studies from digital humanities to psychoanalytic theory to illuminate an era that reaches far beyond the civil war and continues to shape our understanding of american literature literary geography cambridge scholars publishing

[melville mapping and globalization literary cartography in the](#) - Feb 15 2023

web dec 29 2011 tally is the author of six books including poe and the subversion of american literature satire fantasy critique bloomsbury 2014 named choice outstanding academic title 2014 kurt vonnegut and the american novel a postmodern iconography bloomsbury 2011 and melville mapping and globalization literary

**melville mapping and globalization overdrive** - Dec 13 2022

web oct 27 2011 in melville mapping and globalization robert tally argues that melville does not belong in the tradition of the american renaissance but rather creates a baroque literary cartography artistically engaging with spaces beyond the national model jameson and moretti tally argues that melville s distinct literary form enabled his

**melvillemappingandglobalizationliterarycarto search test** - Sep 10 2022

web melville mapping and globalization world bank publications infectious liberty traces the origins of our contemporary concerns about public health world population climate change global trade and government regulation to a series of romantic era debates and their literary consequences through a series of

*melville mapping and globalization literary carto copy dotnbnm* - May 06 2022

web in melville mapping and globalization robert tally argues that melville does not belong in the tradition of the american renaissance but rather creates a baroque literary cartography

[melville mapping and globalization literary cartography in the](#) - Sep 22 2023

web oct 27 2011 in melville mapping and globalization robert tally argues that melville does not belong in the tradition of the american renaissance but rather creates a baroque literary

**melville mapping and globalization literary carto tim gillespie** - Aug 09 2022

web pronouncement melville mapping and globalization literary carto as without difficulty as review them wherever you are now the global remapping of american literature paul giles 2018 06 12 this book charts how the cartographies of american literature as an institutional category have varied radically across different times and places

**melville mapping and globalization literary carto copy** - Feb 03 2022

web melville mapping and globalization literary carto 1 melville mapping and globalization literary carto as recognized adventure as skillfully as experience more or less lesson amusement as well as contract can be gotten by just checking out a ebook melville mapping and globalization literary carto in addition to it is not directly done

**melville mapping and globalization literary carto robert t tally** - Oct 11 2022

web melville mapping and globalization literary carto as recognized adventure as capably as experience nearly lesson amusement as capably as union can be gotten by just checking out a book melville mapping and globalization literary carto along with it is not directly done you could bow to even more just about this life just about the world

[melville mapping and globalization literary cartography in the](#) - May 18 2023

web oct 9 2009 in melville mapping and globalization robert tally argues that melville does not belong in the tradition of the american renaissance but rather creates a baroque literary cartography artistically engaging with spaces beyond the national model

**melville mapping and globalization literary carto** - Apr 17 2023

web melville mapping and globalization literary carto mla international bibliography of books and articles on the modern languages and literatures may 18 2020 literature language and multiculturalism in scandinavia and the low countries sep 21 2020

**melville mapping and globalization literary carto pdf** - Jun 19 2023

web this book examines prevalent notions of globalization literary history genre and novel using close reading and world history literary criticism and political theory it intervenes in debates about world

**melville mapping and globalization literary cartography in the** - Jun 07 2022

web melville mapping and globalization literary cartography in the american baroque writer continuum literary studies by jr tally robert t jr tally robert t tally jr interpretations of billy budd a some men ride on such space olson s call me ishmael redrawing the map

[melvillemappingandglobalizationliterarycarto pdf logs erpNext](#) - Mar 04 2022

web mapping reality phantom waltz translation in the digital age the worlding project an introduction to global studies magic al realism geocriticism cultural techniques kitchen curse confronting the challenges of participatory culture picture book professors spatiality notes from a small island 101 design methods natural resources neither curse

**melville mapping and globalization literary cartography in the** - Jul 20 2023

web in melville mapping and globalization robert tally argues that melville does not belong in the tradition of the american renaissance but rather creates a baroque literary

**melville mapping and globalization literary carto pdf clr imymac** - Jul 08 2022

web melville s mirrors the geocritical legacies of edward w said for a ruthless critique of all that exists poe and the subversion of american literature cosmopolitanism and place spatial engagement with poetry melville mapping and globalization utopia in the age of globalization greece between east and west mapping the amazon utopia in the age

*melville mapping and globalization literary cartography in the* - Jan 14 2023

web in melville mapping and globalization robert tally argues that melville does not belong in the tradition of the american renaissance but rather creates a bar

**botues instituti pedagogjik i kosovës** - Nov 12 2022

web qasja metodologjike në mësimdhënien e gjuhës angleze në shkollë fillore përmes hulumtimit në veprim paraqet vazhdimësinë e përpjekjeve të ipk së për të ofruar

**gjuhë angleze universiteti aleksandër moisiu** - Sep 10 2022

web programi bachelor në gjuhë angleze zhvillon një sërë aftësish si ato praktike gjuhësore dhe komunikuese më qëllim marrjen e zhvillimin e njohurive të gjuhës angleze

**mësimdhënie në gjuhën angleze universiteti aleksandër moisiu** - Jan 14 2023

web programi master profesional në mësimdhënie në gjuhë angleze zhvillon një sërë aftësish si ato praktike gjuhësore dhe komunikuese më qëllim marrjen e zhvillimin e njohurive të

republika e shqipërisë ministria e arsimit dhe - Oct 31 2021

web normale njohja paraqitja e krahasimi i vazhdueshëm me gjuhën angleze si dhe praktika e shumtë do t i bëjnë nxënësit të afrohen gjithnjë e më shumë me gjuhën e huaj qortimi i

profile mësimdhënia e gjuhës angleze 2017 2018 - Sep 22 2023

web e aftësive gjuhësore të veçanta në fushën e leximit shkrimit komunikimit shqiptimit lënda gjithashtu shqyrton teoritë aktuale të mësimin të gjuhës që nënvizojnë aplikacionet e akmgj së metodologjia e hulumtimit një studim për kërkimin dhe marrjen e mostrave

**teknika ne gjuhen angleze te mesimdhënies** - Oct 11 2022

web teknika ne gjuhen angleze te mesimdhënies teknika ne gjuhen angleze te mesimdhënies vështirësitë kryesore në përvetësimin e parafjalëve në për të kuptuar

profile mësimdhënia e gjuhës angleze 2017 2018 - Dec 01 2021

web shumica e lëndëve ofrojnë trajnime të specializuara të cilat instruktorët e anglishtes do t i vlerësojnë si shumë të dobishme siç janë metodologjia e mësimdhënies së gjuhës së

**metodologji e gjuhes shqipe 1 pdf scribd** - Mar 04 2022

web kursi ofron metodologji dhe vetdijesim liberal mbi msimdhënien e gjuhs dhe letrsis gjat kursit do t shqyrtohen cshtje t tilla si faktort q ndikojn n procesin e msimdhënies

**mësimdhënia e anglishtes british council** - Jul 20 2023

web mësimdhënia e anglishtes teach english nëse je mësues i ri i gjuhën angleze ose mësues që kërkon të zhvillosh aftësitë dhe teknikat e mësimdhënies si dhe të zhvillosh karrieren

**metodologjia e mesimdhënies se gjuhës angleze pdf** - Apr 05 2022

web metodika e gjuhës shqipe për mësuesit e gjuhës të shkollave shtatëvjeç re dhe të mesme dhe për studentët e institutit pedagogjik përshtatë nga z kodra

**metodika pedagogji wikipedia** - May 06 2022

web metodat e mësimdhënies dhe format organizative të mësimdhënies artikulli kryesor Është e vështirë që të bëhet një ndarje e qartë dhe unike e metodave të mësimdhënies mund

**roli i gramatikës në mësimdhënien e anglishtes si** - Mar 16 2023

web bindjet e mësuesve të gjuhës angleze dhe të nxënësve shqiptarë mbi rolin e dijes gramatikore dhe mësimdhënies së saj në mësimdhënien e gjuhës angleze ky punim

*profile mesimdhënia e gjuhës angleze 2012 2013* - Jan 02 2022

web shumica e lëndëve ofrojnë trajnime të specializuara të cilat instruktorët e anglishtes do t i vlerësojnë si shumë të dobishme siç janë metodologjia e mësimdhënies së gjuhës së

**magjistratura ne mesimdhënien e gjuhës angleze south east** - Aug 21 2023

web metodologjia e mësimdhënies së gjuhës se huaj gramatika e gjuhës angleze metodologjia e hulumtimit shkrimi pedagogjik mesimi i vokabularit semestri ii të

**0 2 anglishtja 3 re anglisht pdf scribd** - Dec 13 2022

web njohja paraqitja e krahasimi i vazhdueshëm me gjuhën angleze si dhe praktika e shumtë do t i bëjnë nxënësit të afrohen gjithnjë e më shumë me gjuhën e huaj qortimi i shpeshtë

**mësimdhënia e gjuhës angleze në klasa** - Feb 15 2023

web më konkretisht u studiua perceptimi që kanë studentët për mësimin e gjuhës angleze në klasa me diversitet kulturor dhe etnik gjithashtu u studiua ndikimi që ka gjuha amtare

**modele mësimore pedagogjike tradicionale dhe aktuale** - Feb 03 2022

web modele mësimore pedagogjike janë ndërtimet e ndryshme të rregulluara në të cilat përcaktohet përmbajtja që do të mësohet metodologjia oraret ose procedurat

*planprogrami semestral metodologji e* - May 18 2023

web metodologjia e mësimdhënies së gjuhës angleze me praktikë i është hartuar me qëllim që t i pajis studentët me njohuri themelore për mënyrën e mësimdhënies së gjuhës angleze

*planprogrami semestral metodologji e* - Apr 17 2023

web metodologjia e mësimdhënies së gjuhës angleze me praktikë i i është hartuar me qëllim që t i pajis studentët me njohuri të avancuara për mënyrën e mësimdhënies së gjuhës

**teknika ne gjuhen angleze te mesimdhenies** - Jun 07 2022

web teknika ne gjuhen angleze te mesimdhenies te zbritja i zbritshmi si quhet numri i dytë te zbritja tema e diplomes 1234 scribd com may 7th 2018 se mesuesit duke perdorur

**2 metodat e të mësuarit anglisht metoda tradicionale vs metoda** - Jul 08 2022

web studimi i pjesëve gramatikore e strukturore gjatë të mësuarit anglisht nuk është një detyrë e lehtë në agjd anglishtja si gjuhë e dytë apo si gjuhë e huaj për shkak të

**teknika ne gjuhen angleze te mesimdhenies** - Aug 09 2022

web jul 8 2023 struktura e orës teknikat e mësimeve evokim e mesimeve e gjuhës angleze seeu edu mk kurse të gjuhës angleze pranë qatar

**the importance of methodology in english** - Jun 19 2023

web qëllimi i këtij artikulli është të promovojë metodat më produktive në mësimeve e gjuhës angleze suksesi në mësimeve e gjuhës angleze mund të varet në një shkallë të

**the wedding jester harshalomlibrary tinycat** - Dec 29 2022

web select the department you want to search in

**jester at the wedding the british music collection** - Jun 22 2022

web condition source price used good 1 available former library book used book that is in clean average condition without any missing pages ships from in ships directly from

**the wedding jester paperback april 1 1999** - Sep 06 2023

web the wedding jester offers a new chance to journey to stern s magical jewish otherworld where fantastical events are commonplace and rabbis sometimes frequently take

**the jester review fairground horror just because** - Aug 25 2022

web suite from the ballet year 1932

**the jester 1988 film wikipedia** - Nov 15 2021

web listen to the jester on spotify wedding day music song 2016 wedding day music song 2016 listen to the jester on spotify wedding day music song 2016

**the jester 2016 full cast crew imdb** - Dec 17 2021

web wedding day music song 2016 preview of spotify sign up to get unlimited songs and podcasts with occasional ads

**the jester song and lyrics by wedding day music spotify** - Sep 13 2021

**the wedding jester graywolf press** - Oct 07 2023

web 14 total ratings 12 with reviews from the united states gammyjill wonderful short stories reviewed in the united states on july 9 2010 verified purchase i m not a fan of

**the wedding jester steve stern google books** - Jun 03 2023

web the wedding jester brings nine of stern s most accomplished stories between paperback covers four are set in the pinch with the others divided among the old country

*the wedding jester handelmanlibrarytinr library tinycat* - May 02 2023

web the wedding jester steve stern graywolf press 14 232pp isbn 978 1 55597 290 5

*the wedding jester book by steve stern thriftbooks* - Nov 27 2022

web the tale of a kite romance bruno s metamorphosis the sin of elijah swan song yiddish twilight sissman loses his way the wedding jester

[amazon com customer reviews the wedding jester](#) - Aug 05 2023

web whatever the source the critics agree that stern offers immense delight and outright laughs throughout his award winning books the wedding jester offers a new chance

**steve stern my jewish learning** - Apr 01 2023

web buy the wedding jester by steve stern online at alibris we have new and used copies available in 1 editions starting at 0 99 shop now

[the jester song and lyrics by wedding day music spotify](#) - Feb 16 2022

web the jester russian Илѣт romanized shut is a 1988 soviet drama film directed by andrei andrejevich eshpai 1 2 3 plot edit the film tells about a smart boy who takes

**the wedding jester stern steve 1947 free download** - Sep 25 2022

web old mother asked him to accompany her to a wedding at a catskills resort saul surprised himself by saying why not maybe a trip to the buckle of the borscht belt the famed

*the wedding jester jstor* - Jul 24 2022

web discover and share books you love on goodreads

**the jester song and lyrics by wedding day music spotify** - Aug 13 2021

[the wedding jester stern steve amazon com au books](#) - Oct 27 2022

web 1 day ago writer director colin krawchuk saddles us with a poorly written lead footed plot delivered in stodgy lumps between killings after the apparent suicide by hanging of her

*wedding jester the paperback 25 nov 2003* - May 22 2022

web listen to the jester on spotify wedding day music song 2016 wedding day music song 2016 listen to the jester on spotify wedding day music song 2016 sign

**buy new used books online with free shipping better world** - Mar 20 2022

web the jester 2016 cast and crew credits including actors actresses directors writers and more menu movies release calendar top 250 movies most popular movies browse

*the wedding jester by steve stern publishers weekly* - Feb 28 2023

web the wedding jester offers a new chance to journey to stern s magical jewish otherworld where fantastical events are commonplace and rabbis sometimes frequently take

*jester the movie 2023 imdb* - Jan 18 2022

web nov 1 2023 andrew harnik ap minneapolis president joe biden was met with protests organized by local muslim leaders when he arrived in minneapolis on

**muslim leaders in minnesota say they will abandon biden nbc** - Oct 15 2021

**loading interface goodreads** - Apr 20 2022

web nov 4 2023 jester the movie directed by jdl plotagon with karen rod when the evil lulu plans to defeat jester and also run as governor jester himself along with his

**the wedding jester by steve stern alibris** - Jan 30 2023

web buy a cheap copy of the wedding jester book by steve stern the new york times has called steve stern a prodigiously talented writer who arrives unheralded like one of the

[the wedding jester by steve stern fictiondb](#) - Jul 04 2023

web the wedding jester offers a new chance to journey to stern s magical jewish otherworld where fantastical events are commonplace and rabbis sometimes frequently take