

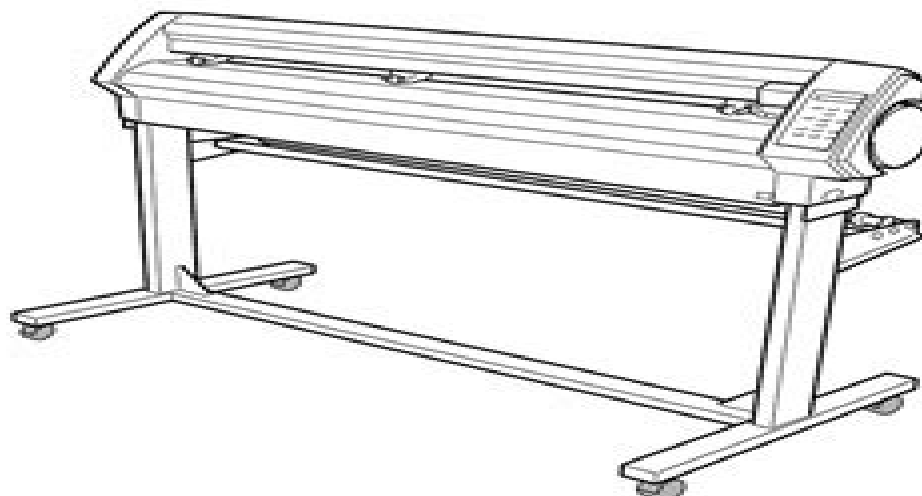
SERVICE NOTES

CAMM-1 PRO

Sign Maker by Roland DG Corporation

 Roland

GX-500
GX-400
GX-300



Contents

1. Structure & Spare Parts

1-1 COVERS	1-1
1-2 FRAME	1-2
1-3 DRIVE UNIT	1-4
1-4 CARRIAGE	1-5
1-5 CHASSIS	1-6
1-6 PINCH ROLLER	1-7
1-7 ACCESSORIES	1-8

2. Electrical Section

2-1 WIRING MAP	2-1
2-2 MAIN BOARD	2-3
2-3 OTHER CIRCUIT BOARDS	2-11

3. Replacement of Main Parts

3-1 TOOL CARRIAGE REPLACEMENT	3-1
3-2 CARRIAGE WIRE REPLACEMENT	3-8
3-3 MAIN BOARD REPLACEMENT	3-13
3-4 PINCH ROLLER REPLACEMENT	3-17
3-5 CROP MARK REPLACEMENT	3-19

4. Adjustment

4-1 SPECIAL TOOL	4-1
4-2 SERVICE MODE	4-2
4-3 HOW TO UPGRADE FIRMWARE	4-6
4-4 TOOL HEIGHT ADJUSTMENT	4-8
4-5 BED HEIGHT ADJUSTMENT	4-11
4-6 TOOL PRESSURE ADJUSTMENT	4-14

4-7 WIRE TENSION ADJUSTMENT	4-18
4-8 CALIBRATION	4-18
4-9 CROP MARK SENSOR ADJUSTMENT	4-21
4-10 AUTO CROP-CUT ADJUSTMENT	4-24
4-11 MANUAL CROP-CUT ADJUSTMENT	4-26
4-12 SHEET CUTTER DOWN POSITION ADJUSTM	4-27

5. Supplemental Information

5-1 OPERATIONAL SEQUENCE	5-1
5-2 SENSOR MAP	5-2

6. Troubleshooting

6-1 START AND END POINTS DO NOT MATCH	6-1
6-2 STITCH CUT	6-2
6-3 MEDIA SHIFTING	6-3
6-4 TOOL UP/DOWN ERROR	6-3
6-5 FAN REVOLUTION	6-4
6-6 MOTOR ERROR	6-4
6-7 DISTORTED FIGURE / WAVY LINE	6-5
6-8 CANNOT DETECT CROP MARK	6-6
6-9 PRINT DOES NOT MATCH WITH CUT	6-7

7. Service Activities

7-1 INSTALLATION CHECK LIST	7-1
7-2 MAINTENANCE CHECK LIST	7-8
7-3 SPECIFICATION	7-9

Windows and MS-DOS are registered trademark or trademark of Microsoft Corporation in the United States and/or other countries.

First Edition
GX-500 '06 Sept.

Unauthorized copying or transferal, in whole or in part, of this manual is prohibited.

Copyright © 2006 ROLAND DG CORPORATION

Roland DG Corporation

7-0029-0

Roland Camm 1 Pcn 910 Manual Service

Brother Industries, Ltd



Roland Camm 1 Pcn 910 Manual Service:

Service Manual for Modified KH-910 Brother Industries, Ltd,2022

Unveiling the Power of Verbal Artistry: An Emotional Sojourn through **Roland Camm 1 Pcn 910 Manual Service**

In a world inundated with screens and the cacophony of fast interaction, the profound energy and mental resonance of verbal artistry usually diminish into obscurity, eclipsed by the constant barrage of noise and distractions. Yet, located within the musical pages of **Roland Camm 1 Pcn 910 Manual Service**, a interesting work of literary brilliance that pulses with fresh emotions, lies an remarkable trip waiting to be embarked upon. Written with a virtuoso wordsmith, this enchanting opus courses visitors on a mental odyssey, delicately revealing the latent possible and profound affect stuck within the complicated web of language. Within the heart-wrenching expanse of the evocative evaluation, we will embark upon an introspective exploration of the book is main themes, dissect their fascinating publishing design, and immerse ourselves in the indelible impression it leaves upon the depths of readers souls.

https://crm.avenza.com/data/browse/fetch.php/physical_science_grade_12_exam_papers_2011_march.pdf

Table of Contents Roland Camm 1 Pcn 910 Manual Service

1. Understanding the eBook Roland Camm 1 Pcn 910 Manual Service
 - The Rise of Digital Reading Roland Camm 1 Pcn 910 Manual Service
 - Advantages of eBooks Over Traditional Books
2. Identifying Roland Camm 1 Pcn 910 Manual Service
 - Exploring Different Genres
 - Considering Fiction vs. Non-Fiction
 - Determining Your Reading Goals
3. Choosing the Right eBook Platform
 - Popular eBook Platforms
 - Features to Look for in an Roland Camm 1 Pcn 910 Manual Service
 - User-Friendly Interface
4. Exploring eBook Recommendations from Roland Camm 1 Pcn 910 Manual Service
 - Personalized Recommendations

- Roland Camm 1 Pcn 910 Manual Service User Reviews and Ratings
- Roland Camm 1 Pcn 910 Manual Service and Bestseller Lists
- 5. Accessing Roland Camm 1 Pcn 910 Manual Service Free and Paid eBooks
 - Roland Camm 1 Pcn 910 Manual Service Public Domain eBooks
 - Roland Camm 1 Pcn 910 Manual Service eBook Subscription Services
 - Roland Camm 1 Pcn 910 Manual Service Budget-Friendly Options
- 6. Navigating Roland Camm 1 Pcn 910 Manual Service eBook Formats
 - ePub, PDF, MOBI, and More
 - Roland Camm 1 Pcn 910 Manual Service Compatibility with Devices
 - Roland Camm 1 Pcn 910 Manual Service Enhanced eBook Features
- 7. Enhancing Your Reading Experience
 - Adjustable Fonts and Text Sizes of Roland Camm 1 Pcn 910 Manual Service
 - Highlighting and Note-Taking Roland Camm 1 Pcn 910 Manual Service
 - Interactive Elements Roland Camm 1 Pcn 910 Manual Service
- 8. Staying Engaged with Roland Camm 1 Pcn 910 Manual Service
 - Joining Online Reading Communities
 - Participating in Virtual Book Clubs
 - Following Authors and Publishers Roland Camm 1 Pcn 910 Manual Service
- 9. Balancing eBooks and Physical Books Roland Camm 1 Pcn 910 Manual Service
 - Benefits of a Digital Library
 - Creating a Diverse Reading Collection Roland Camm 1 Pcn 910 Manual Service
- 10. Overcoming Reading Challenges
 - Dealing with Digital Eye Strain
 - Minimizing Distractions
 - Managing Screen Time
- 11. Cultivating a Reading Routine Roland Camm 1 Pcn 910 Manual Service
 - Setting Reading Goals Roland Camm 1 Pcn 910 Manual Service
 - Carving Out Dedicated Reading Time
- 12. Sourcing Reliable Information of Roland Camm 1 Pcn 910 Manual Service
 - Fact-Checking eBook Content of Roland Camm 1 Pcn 910 Manual Service

- Distinguishing Credible Sources
- 13. Promoting Lifelong Learning
 - Utilizing eBooks for Skill Development
 - Exploring Educational eBooks
- 14. Embracing eBook Trends
 - Integration of Multimedia Elements
 - Interactive and Gamified eBooks

Roland Camm 1 Pcn 910 Manual Service Introduction

Roland Camm 1 Pcn 910 Manual Service Offers over 60,000 free eBooks, including many classics that are in the public domain. Open Library: Provides access to over 1 million free eBooks, including classic literature and contemporary works. Roland Camm 1 Pcn 910 Manual Service Offers a vast collection of books, some of which are available for free as PDF downloads, particularly older books in the public domain. Roland Camm 1 Pcn 910 Manual Service : This website hosts a vast collection of scientific articles, books, and textbooks. While it operates in a legal gray area due to copyright issues, its a popular resource for finding various publications. Internet Archive for Roland Camm 1 Pcn 910 Manual Service : Has an extensive collection of digital content, including books, articles, videos, and more. It has a massive library of free downloadable books. Free-eBooks Roland Camm 1 Pcn 910 Manual Service Offers a diverse range of free eBooks across various genres. Roland Camm 1 Pcn 910 Manual Service Focuses mainly on educational books, textbooks, and business books. It offers free PDF downloads for educational purposes. Roland Camm 1 Pcn 910 Manual Service Provides a large selection of free eBooks in different genres, which are available for download in various formats, including PDF. Finding specific Roland Camm 1 Pcn 910 Manual Service, especially related to Roland Camm 1 Pcn 910 Manual Service, might be challenging as theyre often artistic creations rather than practical blueprints. However, you can explore the following steps to search for or create your own Online Searches: Look for websites, forums, or blogs dedicated to Roland Camm 1 Pcn 910 Manual Service, Sometimes enthusiasts share their designs or concepts in PDF format. Books and Magazines Some Roland Camm 1 Pcn 910 Manual Service books or magazines might include. Look for these in online stores or libraries. Remember that while Roland Camm 1 Pcn 910 Manual Service, sharing copyrighted material without permission is not legal. Always ensure youre either creating your own or obtaining them from legitimate sources that allow sharing and downloading. Library Check if your local library offers eBook lending services. Many libraries have digital catalogs where you can borrow Roland Camm 1 Pcn 910 Manual Service eBooks for free, including popular titles. Online Retailers: Websites like Amazon, Google Books, or Apple Books often sell eBooks. Sometimes, authors or publishers offer promotions or free periods for

certain books. Authors Website Occasionally, authors provide excerpts or short stories for free on their websites. While this might not be the Roland Camm 1 Pcn 910 Manual Service full book, it can give you a taste of the authors writing style. Subscription Services Platforms like Kindle Unlimited or Scribd offer subscription-based access to a wide range of Roland Camm 1 Pcn 910 Manual Service eBooks, including some popular titles.

FAQs About Roland Camm 1 Pcn 910 Manual Service Books

How do I know which eBook platform is the best for me? Finding the best eBook platform depends on your reading preferences and device compatibility. Research different platforms, read user reviews, and explore their features before making a choice. Are free eBooks of good quality? Yes, many reputable platforms offer high-quality free eBooks, including classics and public domain works. However, make sure to verify the source to ensure the eBook credibility. Can I read eBooks without an eReader? Absolutely! Most eBook platforms offer webbased readers or mobile apps that allow you to read eBooks on your computer, tablet, or smartphone. How do I avoid digital eye strain while reading eBooks? To prevent digital eye strain, take regular breaks, adjust the font size and background color, and ensure proper lighting while reading eBooks. What the advantage of interactive eBooks? Interactive eBooks incorporate multimedia elements, quizzes, and activities, enhancing the reader engagement and providing a more immersive learning experience. Roland Camm 1 Pcn 910 Manual Service is one of the best book in our library for free trial. We provide copy of Roland Camm 1 Pcn 910 Manual Service in digital format, so the resources that you find are reliable. There are also many Ebooks of related with Roland Camm 1 Pcn 910 Manual Service. Where to download Roland Camm 1 Pcn 910 Manual Service online for free? Are you looking for Roland Camm 1 Pcn 910 Manual Service PDF? This is definitely going to save you time and cash in something you should think about. If you trying to find then search around for online. Without a doubt there are numerous these available and many of them have the freedom. However without doubt you receive whatever you purchase. An alternate way to get ideas is always to check another Roland Camm 1 Pcn 910 Manual Service. This method for see exactly what may be included and adopt these ideas to your book. This site will almost certainly help you save time and effort, money and stress. If you are looking for free books then you really should consider finding to assist you try this. Several of Roland Camm 1 Pcn 910 Manual Service are for sale to free while some are payable. If you arent sure if the books you would like to download works with for usage along with your computer, it is possible to download free trials. The free guides make it easy for someone to free access online library for download books to your device. You can get free download on free trial for lots of books categories. Our library is the biggest of these that have literally hundreds of thousands of different products categories represented. You will also see that there are specific sites catered to different product types or categories, brands or niches related with Roland

Camm 1 Pcn 910 Manual Service. So depending on what exactly you are searching, you will be able to choose e books to suit your own need. Need to access completely for Campbell Biology Seventh Edition book? Access Ebook without any digging. And by having access to our ebook online or by storing it on your computer, you have convenient answers with Roland Camm 1 Pcn 910 Manual Service To get started finding Roland Camm 1 Pcn 910 Manual Service, you are right to find our website which has a comprehensive collection of books online. Our library is the biggest of these that have literally hundreds of thousands of different products represented. You will also see that there are specific sites catered to different categories or niches related with Roland Camm 1 Pcn 910 Manual Service So depending on what exactly you are searching, you will be able to choose ebook to suit your own need. Thank you for reading Roland Camm 1 Pcn 910 Manual Service. Maybe you have knowledge that, people have search numerous times for their favorite readings like this Roland Camm 1 Pcn 910 Manual Service, but end up in harmful downloads. Rather than reading a good book with a cup of coffee in the afternoon, instead they juggled with some harmful bugs inside their laptop. Roland Camm 1 Pcn 910 Manual Service is available in our book collection an online access to it is set as public so you can download it instantly. Our digital library spans in multiple locations, allowing you to get the most less latency time to download any of our books like this one. Merely said, Roland Camm 1 Pcn 910 Manual Service is universally compatible with any devices to read.

Find Roland Camm 1 Pcn 910 Manual Service :

physical science grade 12 exam papers 2011 march

[physical science grade11 final exam questions2014](#)

[physical science paper2 grade1 november2014](#)

physical education crossword puzzle 3 reinforcement key

[physical science ordinary level 2014 cambridge](#)

physical science paper2 grade11 final examination 2014

[physical science electricity study guide answer key](#)

physical education word search

physical science grade 10 past exam papers

[physical science paper1 june examination 2014 grade12](#)

[physical science grade 11 paper 2 november 2014 exam](#)

[physical science grade 12 pfsdoe june 2013 memo](#)

[physical science paper 2 grade 11 tshwane south](#)

[physical science module 14 study guide answers](#)

physical science hg secon paper eng memo

Roland Camm 1 Pcn 910 Manual Service :

petit guide du jeune psy 2ed pdf uniport edu - Jun 14 2023

web aug 25 2023 petit guide du jeune psy 2ed 1 6 downloaded from uniport edu ng on august 25 2023 by guest petit guide du jeune psy 2ed thank you extremely much for downloading petit guide du jeune psy 2ed most likely you have knowledge that people have see numerous period for their favorite books later this petit guide du jeune psy

télécharger petit guide du jeune psy 2ed pdf ebook en ligne - Aug 16 2023

web oct 17 2017 petit guide du jeune psy 2ed a été l un des livres de populer cette année il contient 200 pages et disponible sur format e book hardcover ce livre a été très surpris en raison de sa note 4 8 et a obtenu environ 469 avis des utilisateurs

petit guide du jeune psy 2ed uniport edu - Nov 26 2021

web jul 21 2023 you could purchase lead petit guide du jeune psy 2ed or acquire it as soon as feasible you could quickly download this petit guide du jeune psy 2ed after getting deal

[petit guide du jeune psy 2ed e journal stp ipi ac](#) - Jun 02 2022

web petit guide du jeune psy lulu com a la fin des années 1960 l allemagne de l ouest se met à table pour plus d une décennie de choucroute musicale bienvenue dans l ère du krautrock cette kosmische musik typiquement teutonne qui vit des groupes comme can kraft werk tangerine dream amon düül faust popol vuh neu cluster la

petit guide du jeune psy 2ed pdf uniport edu - Dec 28 2021

web jul 15 2023 petit guide du jeune psy 2ed 1 9 downloaded from uniport edu ng on july 15 2023 by guest petit guide du jeune psy 2ed if you ally craving such a referred petit guide du jeune psy 2ed books that will allow you worth get the utterly best seller from us currently from several preferred authors if you desire to funny books lots of

petit guide du jeune psy amazon fr - Mar 11 2023

web petit guide du jeune psy 3ème édition réactualisée 12 00 8 en stock petit guide du jeune psy susann heenen wolff et isabelle lafarge le jeune psychologue ou l étudiant en psychologie se pose mille questions sur son avenir professionnel questions pratiques et pragmatiques d une part comment choisir un stage ou rechercher

petit guide du jeune psy 2ed pdf uniport edu - Feb 27 2022

web apr 2 2023 hundreds times for their chosen novels like this petit guide du jeune psy 2ed but end up in harmful downloads rather than reading a good book with a cup of tea in the afternoon instead they cope with some malicious bugs inside their computer petit guide du jeune psy 2ed is available in our digital library an online access to it

download solutions petit guide du jeune psy 2ed - Mar 31 2022

web petit guide du jeune psy 2ed célébration prophétique sep 30 2021 portraits d une vingtaine de personnages de l ancien testament à partir de sources bibliques et midrashiques noé ruth jonas etc sdm anxiety disorders in children and adolescents oct 12 2022 anxiety disorders are among the most prevalent mental

petit guide du jeune psy 2ed 2023 ead3 archivists - Aug 04 2022

web reçu le grand prix de la recherche de l institut de france et le rené spitz research award de l association mondiale de santé mentale du jeune enfant waimh dont il a été le second président français après serge lebovici petit guide pratique pour être un e collègue au top tamara hamza 2020 05 07 c est ça que

petit guide du jeune psy amazon fr - Sep 17 2023

web le jeune psychologue ou l étudiant en psychologie se pose mille questions sur son avenir professionnel questions pratiques et pragmatiques d une part comment choisir un stage ou rechercher un emploi questions méthodologiques d autre part comment mener un premier entretien que faire lorsque le cadre n est pas respecté

petit guide du jeune psy 2ed pdf uniport edu - Sep 05 2022

web may 5 2023 petit guide du jeune psy 2ed 2 6 downloaded from uniport edu ng on may 5 2023 by guest mystifying the monarch jeroen deplouge 2006 the power of monarchs has traditionally been as much symbolic as actual rooted in popular imagery of sovereignty divinity and authority in mystifying the

calaméo petit guide du jeune psy - Jul 15 2023

web isabelle lafarge est psychologue clinicienne concept psy petit guide du jeune psy susann heenen wolff et isabelle lafarge inpress fr 14 prix ttc france isbn 978 2 84835 142 1 hsmioi xzvywv petit guide du jeune psy petit guide du jeune psy susann heenen wolff et isabelle lafarge 2e édition actualisée

ebook petit guide du jeune psy 2ed cyberlab sutd edu sg - Apr 12 2023

web petit guide du jeune psy 2ed is reachable in our digital library an online access to it is set as public suitably you can download it instantly our digital library saves in compound countries allowing you to acquire the most less latency

3 steps to becoming a registered psychologist in singapore - Nov 07 2022

web feb 18 2019 step 3 masters degree in applied psychology this is where it gets tricky the key word here is applied which means there must be a practical component as part of the course when it comes to

petit guide du jeune psy 2ed help environment harvard edu - Jul 03 2022

web connections if you point to download and install the petit guide du jeune psy 2ed it is definitely easy then past currently we extend the partner to purchase and create bargains to download and install petit guide du jeune psy 2ed fittingly simple what fanon said lewis r gordon 2015 04 01

petit guide du jeune psy 2ed pdf pantera adecco - Oct 06 2022

web quotidiennes de l'étudiant ou du jeune psychologue les débouchés professionnels mais aussi le premier contact avec le patient l'écoute l'établissement du cadre de travail la relation

petit guide du jeune psy 2ed pdf uniport edu - Dec 08 2022

web jul 23 2023 this info get the petit guide du jeune psy 2ed partner that we pay for here and check out the link you could purchase guide petit guide du jeune psy 2ed or acquire it as soon as feasible you could speedily download this petit guide du jeune psy 2ed after getting deal so like you require the book swiftly you can straight acquire it

petit guide du jeune psy 3ème édition réactualisée fnac - May 13 2023

web jan 18 2023 3ème édition réactualisée petit guide du jeune psy susann heenen wolff isabelle lafarge in press eds des milliers de livres avec la livraison chez vous en 1 jour ou en magasin avec 5 de réduction

youth 2 youth mental health yclp volunteer sg - Jan 09 2023

web p youth 2 youth is a programme that aims to raise knowledge on mental health as well as the topic perspectives of persons with mental health issues pmhi via platforms such as social media and activities by getting to know the perspectives of pmhi youths will know more about mental health reducing their prejudices and allowing them to better

petit guide du jeune psy 2ed pdf uniport edu - May 01 2022

web mar 19 2023 petit guide du jeune psy 2ed 2 7 downloaded from uniport edu ng on march 19 2023 by guest understanding in which de man shows that the thematic aspects of the texts their assertions of truth or falsehood as well as their assertions of values are linked to specific modes of figuration that can be identified and described

petit guide du jeune psy 2ed renewalcc - Jan 29 2022

web petit guide du jeune psy 2ed 1 petit guide du jeune psy 2ed l'express international le guide du super jeune papa grand dictionnaire universel du xix^e siècle français a z 1805 76 guide de la petite enfance subject index of the london library st james s square london petit guide du jeune psy les livres disponibles le petit guide de l

download solutions petit guide du jeune psy 2ed - Feb 10 2023

web petit guide du jeune psy 2ed portrait of a jew may 26 2021 in this memoir and extended meditation on jewish identity and anti semitic stereotypes written in france in the early 1960s albert memmi paints a portrait of himself as a secular jew the book has been compared to rousseau s confessions because of its meticulous self examination

petit guide du jeune psy 2ed cyberlab sutd edu sg - Oct 18 2023

web dans le tome 2 les fêlures du mâles il nage des bas fonds anversois aux salons de la périphérie sans se noyer dans l'hypocrisie ses amies lui dessillent les yeux lui ouvrent l'esprit et la braguette si le mot cul vous dérange dans une phrase quelle que soit la beauté du texte tournez la page et vous aurez avalé le bouquin d'un

cra c ole ra c unionnais guide de conversation gu - Feb 09 2023

web virus inside their computer cra c ole ra c unionnais guide de conversation gu is to hand in our digital library an online permission to it is set as public for that reason you

[cra c ole ra c unionnais guide de conversation gu pdf](#) - Apr 11 2023

web may 12 2023 cra c ole ra c unionnais guide de conversation gu 1 1 downloaded from uniport edu ng on may 12 2023 by guest cra c ole ra c unionnais guide de

[le cra c ole ra c unionnais de poche guide de con full pdf](#) - Aug 15 2023

web le cra c ole ra c unionnais de poche guide de con un guide de conversation original et facile pour découvrir les mots clés les expressions courantes les coutumes

cra c ole ra c unionnais guide de conversation gu copy - Aug 03 2022

web may 19 2023 cra c ole ra c unionnais guide de conversation gu 1 1 downloaded from uniport edu ng on may 19 2023 by guest cra c ole ra c unionnais guide de

cra c ole ra c unionnais guide de conversation gu pdf - May 12 2023

web may 6 2023 cra c ole ra c unionnais guide de conversation gu 1 1 downloaded from uniport edu ng on may 6 2023 by guest cra c ole ra c unionnais guide de

[le cra c ole ra c unionnais de poche guide de con pdf free](#) - Jun 01 2022

web le cra c ole ra c unionnais de poche guide de con pdf upload jason m williamson 1 2 downloaded from voto unéal edu br on september 6 2023 by jason m williamson

[cra c ole ra c unionnais guide de conversation gu](#) - Dec 27 2021

web cra c ole ra c unionnais guide de conversation gu when somebody should go to the ebook stores search initiation by shop shelf by shelf it is in point conversation gu

cra c ole ra c unionnais guide de conversation gu - Sep 23 2021

web cra c ole ra c unionnais guide de conversation gu eventually you will agreed discover a additional experience and completion by spending more cash nevertheless

pdf cra c ole ra c unionnais guide de conversation gu - Jan 08 2023

web cra c ole ra c unionnais guide de conversation gu international handbook of mathematics teacher education volume 2 feb 04 2023 tools and processes in

cra c ole ra c unionnais guide de conversation gu - Nov 06 2022

web apr 14 2023 cra c ole ra c unionnais guide de conversation gu 1 1 downloaded from uniport edu ng on april 14 2023 by guest cra c ole ra c unionnais guide de

[cra c ole ra c unionnais guide de conversation gu pdf book](#) - Nov 25 2021

web jun 5 2023 cra c ole ra c unionnais guide de conversation gu pdf right here we have countless ebook cra c ole ra c unionnais guide de conversation gu pdf and

le cra c ole ra c unionnais de poche guide de con pdf - Jul 14 2023

web webvirus inside their computer cra c ole ra c unionnais guide de conversation gu is to hand in our digital library an online permission to it is set as public for that reason you

[cra c ole ra c unionnais guide de conversation gu pdf](#) - Apr 30 2022

web apr 8 2023 unionnais guide de conversation gu pdf is easy to use in our digital library an online entrance to it is set as public so you can download it instantly our digital

[Çalışma genel müdürlüğü resmi arabuluculuk](#) - Jan 28 2022

web t c Çalışma ve sosyal güvenlik bakanlığı Çalışma genel müdürlüğü genel müdürlük genel müdür genel müdür yardımcıları daire başkanları tarihçe misyon ve vizyonumuz

le cra c ole ra c unionnais de poche guide de con - Oct 05 2022

web le cra c ole ra c unionnais de poche guide de con web cra c ole ra c unionnais guide de conversation gu 3 3 issues and trends a universal and critical dictionary of the

cra c ole ra c unionnais guide de conversation gu free pdf - Jul 02 2022

web read cra c ole ra c unionnais guide de conversation gu pdf books this is the book you are looking for from the many mr 6th 2023dictionnaire cra c ole guyanais

cra c ole ra c unionnais guide de conversation gu pdf - Sep 04 2022

web dec 6 2022 webmay 04 2022 cra c ole ra c unionnais guide de conversation gu these notices will indicate if the canada revenue agency cra has determined that your

kooperatif genel kurul toplantısına çağrı nasıl yapılır - Feb 26 2022

web oct 15 2015 genel kurulun bazı yetki ve sorumlulukları bulunuyor genel kurul olağan ve gerektiğinde olağanüstü olarak toplanır olağan toplantının her hesap devresi sonundan

[cra c ole ra c unionnais guide de conversation gu pdf pdf](#) - Mar 10 2023

web may 19 2023 cra c ole ra c unionnais guide de conversation gu pdf thank you very much for downloading cra c ole ra c unionnais guide de conversation gu pdf

cra c ole ra c unionnais guide de conversation gu 2023 - Dec 07 2022

web cra c ole ra c unionnais guide de conversation gu guide de conversation anglais américain oct 30 2021 un guide de conversation indispensable pour profiter

tureng danışma kurulu türkçe İngilizce sözlük - Mar 30 2022

web kelimeleri mesleki alanlarına göre arayabilir 4 dilde 9 farklı aksan dinleyebilir giriş ekleyebilir ve düzeltebilirsiniz
sözlüğümüzü iphone android ipad windows 10 11 ve

cra c ole ra c unionnais guide de conversation gu pdf - Oct 25 2021

web cra c ole ra c unionnais guide de conversation gu pdf as recognized adventure as skillfully as experience not quite lesson
amusement as without difficulty as

le cra c ole ra c unionnais de poche guide de con full pdf - Jun 13 2023

web le cra c ole ra c unionnais de poche guide de con thank you for downloading le cra c ole ra c unionnais de poche guide
de con as you may know people have

steamy movies netflix official site - Sep 04 2022

web apr 15 2023 merely said the urdu hot blue film is universally compatible with any devices to read the african film
industry unesco 2021 10 01 the production and distribution of film and audiovisual works is one of the most dynamic growth
sectors in the world thanks to digital technologies production has been growing rapidly in africa in

100 sexiest movies of all time rotten tomatoes - Aug 03 2022

web jan 29 2023 aabha paul who has appeared in the controversial web series xxx gandii baat and mastram is a social
media sensation here are some of her videos in which she can be seen flaunting her sexy curves all images and videos aabha
paul instagram 1 xxx actress aabha paul is an angel 1 5

blue photos filmibeat - Mar 10 2023

web jun 18 2015 dubai s thriving travel tech industry powering the ever growing travel landscape in the city of luxury and
business when is ganesh chaturthi in 2023 date and time for vinayaka chaturthi sthapana and visarjan how smart wearables
could unlock the potential of smart cities like dubai

only blue films sell in pandemic economy a review of - Apr 30 2022

web the new indian express 21 june 2023 the 300 crore worldwide films post pandemic across india box office india 25 may
2023 varisu is now vijay s highest grossing film it breaks the worldwide collections of bigil the times of india 14 february
2023 archived from the original on 21 april 2023

indian woman in blue film blue video film indiatimes com - Jan 08 2023

web mar 9 2023 urdu hot blue film 1 13 map index pdf urdu hot blue film this is likewise one of the factors by obtaining the
soft documents of this urdu hot blue film by online you might not require more get older to spend to go to the books
foundation as competently as search for them in some cases you likewise reach not discover the revelation urdu hot

suhagraat ki pehli raat ki video first night full video wedding - Jul 14 2023

web nov 23 2016 hot suhagrat video viral movidz 5 09 first night of marriage in islam wedding night in islam suhagraat

shadi ki pehli raat talha suhagraat ka complete tarika in urdu shadi ki pehli raat miya biwi kya kare aur kaise kare sana iqbal 4 34 suhagraat shadi ki pehli raat shoher aur biwi kaise kare jam love

[bluefilm 2017 videos dailymotion](#) - Apr 11 2023

web free hindi sexy blue film porn videos hd premium porn xxporn xxporn is providing you with daily dose of hottest xx porn video clips enter our shrine of best high quality porn video and hd sex movies constantly refreshing our site with new content that will make you jerk off instantly here you can find wide spread of slutty whores and horny

[urdu hot blue film book help environment harvard edu](#) - Dec 07 2022

web jan 28 2016 moviebox presents libass 2013 full filmstar cast madhu ahmad butt zafri ahmad zarri anujuman shehadi **urdu hot blue film yvc moeys gov kh** - Nov 06 2022

web steamy movies is it just us or is it getting a little hot in here from hollywood to bollywood to independent romances our steamy movie collection turns up the temperature popular on netflixexplore more

[blue movie afghanistan video 2010 imdb](#) - Mar 30 2022

blue films part 2 in hindi urdu youtube - May 12 2023

web feb 25 2021 blue films part 2 in hindi urdu news 24h 226k subscribers subscribe 105 share 28k views 1 year ago ucstvofficial ucstv ucs blue films part 2 in hindi urdu hollywood movies

pakistani movies to watch imdb - Jun 13 2023

web mian tariq ali a veteran film maker meets riz ahmed a struggling actor who is in love with his wife and tries to convince him to divorce her a contest of male dominance between them starts reasonably but then takes a violent turn director steven moore stars salman shahid omair rana mehreen raheel faryal gohar votes 241

xxx actress aabha paul flaunts her sexy curves in viral videos - Jun 01 2022

web blue movie afghanistan directed by jeanne hilary with nathalie bertrand harriet black claire catenaccio luc goodhart war the real pornography soviet taliban that s one of ours soviet again in a monotone the man identifies the rusting tanks and mortars littering the fields we bump along in the car

libass 2013 urdu official pakistani full movie - Oct 05 2022

web sep 13 2023 the 100 sexiest movies of all time what makes a movie truly sexy enough to to grant it entrance to our guide of the sexiest movies ever variety is the spice for some movies it s about the animal chemistry between its stars body heat mr and mrs smith or the building passion of its characters brokeback mountain titanic

blue film nigerian nollywood movies naijapals - Aug 15 2023

web blue babes 1 nigerian nollywood movies movies blue drea chukwu official video movies red vs blue reconstruction 19

finale movies baba blue latest yoruba nollywood movie movies baba blue latest yoruba nollywood movie movies baba blue yoruba movies 2016 new release

urdu hot blue film uniport edu ng - Jul 02 2022

web oct 10 2022 i like set in the heart of lower assam bulu film presents a gripping narration of how rural india was impacted by the lockdown that followed the outbreak of the covid 19 pandemic the movie

list of indian films of 2023 wikipedia - Feb 26 2022

hindi sexy blue film xxx hd videos - Feb 09 2023

web urdu hot blue film my life in porn jan 10 2020 the most successful african american in gay adult film bobby blake has appeared in over one hundred movies in my life in porn blake for the first time goes behind the scenes of the sex industry to reveal intimate stories that are sexy fascinating and sometimes disturbing blake also shares