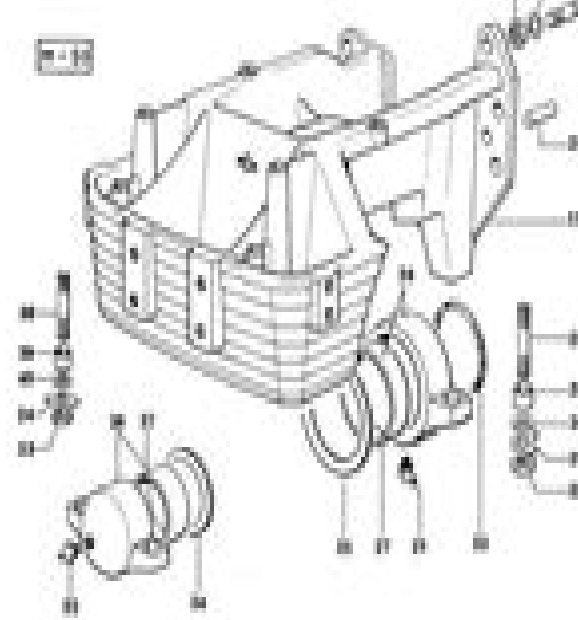
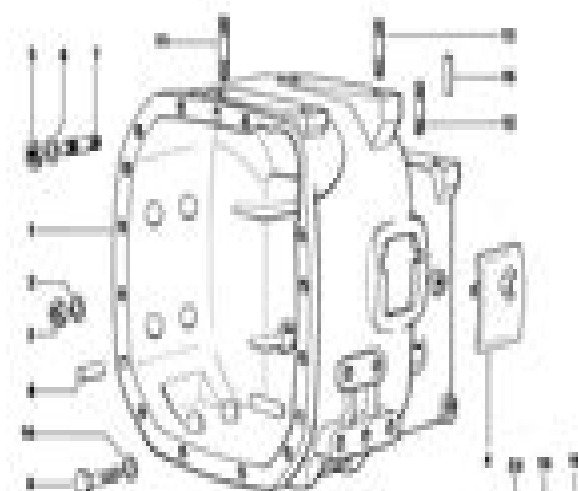


[Index](#)  
[GENERAL](#)  
[FRONT AXLE](#)  
[GENERAL](#)  
[JUNCTION CASE AND FRONT](#)  
[2V40 - EXTENSIBLE AXLE \(](#)  
[2V40 - EXTENSIBLE AXLE \(](#)  
[2V40 - EXTENSIBLE AXLE \(](#)  
[4V40 - FRONT DRIVE AXLE](#)  
[4V40 - FRONT DRIVE AXLE](#)  
[4V40 - DIFFERENTIAL \(04.0](#)  
[6V40 - AXLESHAFTS \(04.00](#)  
[4V40 - AXLESHAFTS \(04.00](#)  
[4V40 - TRANSMISSION \(04](#)  
[4V40A.T.O. \(04.00.11\)](#)



MINITAURO

Section FRONT AXLE  
**JUNCTION CASE AND FRONT SUPPORT**

Ref. 04.00.1

QTY	Code	QTY	Descr.
21	2 3021 103.0	1	Subcase in 10 p. 1 and
22	2 3020 005.0	1	Subcase and
23	2 1011 300.1	2	nut in 10 p. 1.0 and
24	2 1040 010.0	2	washer 17x32x1 and
25	2 1030 020.0	2	cylindrical plug 14 x 30 Support
26	0 140 5003.0	1	Support and
27	0 140 5005.0	1	Rolling 00.5x100.5x4 and
28	0 2402 010.7	2	Ball ball in 10 p. 2.1.5x4 and
29	2 1030 010.0	2	Rolling 10.5x24x20 and
30	2 1030 020.0	2	washer 17x32x1 and
31	2 1040 011.0	2	lock-rod 17x32x1 and
32	2 1011 300.1	2	nut in 10 p. 1.0 and
33	2 1030 000.0	1	T ring 101.5x4.5x4 and
34	2 1030 000.0	1	washer 07x05x4 and
35	2 1030 004.0	1	washer 10x10x4 and
36	0 140 5003.0	1	Support and
37	2 1032 020.0	1	Rolling 00x05x4 and
38	0 2402 010.7	2	Ball ball in 10 p. 2.1.5x4 and
39	2 1030 020.0	2	Rolling 10.5x20x20 and
40	2 1030 020.0	2	Rolling and

# Same Minitauro Service Manual

**SJ Ball**



**Same Minitauro Service Manual:**

This Engaging World of Kindle Books: A Detailed Guide Unveiling the Advantages of E-book Books: A Realm of Ease and Flexibility E-book books, with their inherent mobility and ease of availability, have freed readers from the limitations of hardcopy books. Gone are the days of lugging cumbersome novels or meticulously searching for specific titles in bookstores. E-book devices, stylish and portable, effortlessly store an wide library of books, allowing readers to immerse in their favorite reads anytime, everywhere. Whether commuting on a bustling train, relaxing on a sunny beach, or just cozying up in bed, Kindle books provide an unparalleled level of convenience. A Literary World Unfolded: Discovering the Vast Array of Kindle Same Minitauro Service Manual Same Minitauro Service Manual The E-book Store, a digital treasure trove of bookish gems, boasts an extensive collection of books spanning diverse genres, catering to every readers taste and choice. From captivating fiction and mind-stimulating non-fiction to classic classics and contemporary bestsellers, the E-book Shop offers an exceptional abundance of titles to explore. Whether seeking escape through immersive tales of fantasy and exploration, delving into the depths of past narratives, or broadening ones knowledge with insightful works of scientific and philosophy, the Kindle Store provides a gateway to a bookish world brimming with limitless possibilities. A Transformative Factor in the Bookish Landscape: The Lasting Influence of E-book Books Same Minitauro Service Manual The advent of E-book books has unquestionably reshaped the literary scene, introducing a paradigm shift in the way books are released, distributed, and consumed. Traditional publication houses have embraced the online revolution, adapting their strategies to accommodate the growing demand for e-books. This has led to a rise in the availability of E-book titles, ensuring that readers have entry to a wide array of literary works at their fingers. Moreover, Kindle books have equalized access to books, breaking down geographical barriers and providing readers worldwide with similar opportunities to engage with the written word. Irrespective of their location or socioeconomic background, individuals can now immerse themselves in the captivating world of books, fostering a global community of readers. Conclusion: Embracing the E-book Experience Same Minitauro Service Manual E-book books Same Minitauro Service Manual, with their inherent ease, flexibility, and wide array of titles, have unquestionably transformed the way we encounter literature. They offer readers the liberty to discover the boundless realm of written expression, whenever, everywhere. As we continue to travel the ever-evolving online scene, Kindle books stand as testament to the persistent power of storytelling, ensuring that the joy of reading remains reachable to all.

[https://crm.avenza.com/public/Resources/Download\\_PDFS/Origine%20Du%20Nom%20De%20Famille%20Robine%20Oeuvres%20Courtes.pdf](https://crm.avenza.com/public/Resources/Download_PDFS/Origine%20Du%20Nom%20De%20Famille%20Robine%20Oeuvres%20Courtes.pdf)

## **Table of Contents Same Minitauro Service Manual**

1. Understanding the eBook Same Minitauro Service Manual
  - The Rise of Digital Reading Same Minitauro Service Manual
  - Advantages of eBooks Over Traditional Books
2. Identifying Same Minitauro Service Manual
  - Exploring Different Genres
  - Considering Fiction vs. Non-Fiction
  - Determining Your Reading Goals
3. Choosing the Right eBook Platform
  - Popular eBook Platforms
  - Features to Look for in an Same Minitauro Service Manual
  - User-Friendly Interface
4. Exploring eBook Recommendations from Same Minitauro Service Manual
  - Personalized Recommendations
  - Same Minitauro Service Manual User Reviews and Ratings
  - Same Minitauro Service Manual and Bestseller Lists
5. Accessing Same Minitauro Service Manual Free and Paid eBooks
  - Same Minitauro Service Manual Public Domain eBooks
  - Same Minitauro Service Manual eBook Subscription Services
  - Same Minitauro Service Manual Budget-Friendly Options
6. Navigating Same Minitauro Service Manual eBook Formats
  - ePub, PDF, MOBI, and More
  - Same Minitauro Service Manual Compatibility with Devices
  - Same Minitauro Service Manual Enhanced eBook Features
7. Enhancing Your Reading Experience
  - Adjustable Fonts and Text Sizes of Same Minitauro Service Manual
  - Highlighting and Note-Taking Same Minitauro Service Manual
  - Interactive Elements Same Minitauro Service Manual
8. Staying Engaged with Same Minitauro Service Manual

- Joining Online Reading Communities
  - Participating in Virtual Book Clubs
  - Following Authors and Publishers Same Minitauro Service Manual
9. Balancing eBooks and Physical Books Same Minitauro Service Manual
- Benefits of a Digital Library
  - Creating a Diverse Reading Collection Same Minitauro Service Manual
10. Overcoming Reading Challenges
- Dealing with Digital Eye Strain
  - Minimizing Distractions
  - Managing Screen Time
11. Cultivating a Reading Routine Same Minitauro Service Manual
- Setting Reading Goals Same Minitauro Service Manual
  - Carving Out Dedicated Reading Time
12. Sourcing Reliable Information of Same Minitauro Service Manual
- Fact-Checking eBook Content of Same Minitauro Service Manual
  - Distinguishing Credible Sources
13. Promoting Lifelong Learning
- Utilizing eBooks for Skill Development
  - Exploring Educational eBooks
14. Embracing eBook Trends
- Integration of Multimedia Elements
  - Interactive and Gamified eBooks

### **Same Minitauro Service Manual Introduction**

Free PDF Books and Manuals for Download: Unlocking Knowledge at Your Fingertips In today's fast-paced digital age, obtaining valuable knowledge has become easier than ever. Thanks to the internet, a vast array of books and manuals are now available for free download in PDF format. Whether you are a student, professional, or simply an avid reader, this treasure trove of downloadable resources offers a wealth of information, conveniently accessible anytime, anywhere. The advent of online libraries and platforms dedicated to sharing knowledge has revolutionized the way we consume information. No longer confined to physical libraries or bookstores, readers can now access an extensive collection of digital books and

manuals with just a few clicks. These resources, available in PDF, Microsoft Word, and PowerPoint formats, cater to a wide range of interests, including literature, technology, science, history, and much more. One notable platform where you can explore and download free Same Minitauro Service Manual PDF books and manuals is the internet's largest free library. Hosted online, this catalog compiles a vast assortment of documents, making it a veritable goldmine of knowledge. With its easy-to-use website interface and customizable PDF generator, this platform offers a user-friendly experience, allowing individuals to effortlessly navigate and access the information they seek. The availability of free PDF books and manuals on this platform demonstrates its commitment to democratizing education and empowering individuals with the tools needed to succeed in their chosen fields. It allows anyone, regardless of their background or financial limitations, to expand their horizons and gain insights from experts in various disciplines. One of the most significant advantages of downloading PDF books and manuals lies in their portability. Unlike physical copies, digital books can be stored and carried on a single device, such as a tablet or smartphone, saving valuable space and weight. This convenience makes it possible for readers to have their entire library at their fingertips, whether they are commuting, traveling, or simply enjoying a lazy afternoon at home. Additionally, digital files are easily searchable, enabling readers to locate specific information within seconds. With a few keystrokes, users can search for keywords, topics, or phrases, making research and finding relevant information a breeze. This efficiency saves time and effort, streamlining the learning process and allowing individuals to focus on extracting the information they need. Furthermore, the availability of free PDF books and manuals fosters a culture of continuous learning. By removing financial barriers, more people can access educational resources and pursue lifelong learning, contributing to personal growth and professional development. This democratization of knowledge promotes intellectual curiosity and empowers individuals to become lifelong learners, promoting progress and innovation in various fields. It is worth noting that while accessing free Same Minitauro Service Manual PDF books and manuals is convenient and cost-effective, it is vital to respect copyright laws and intellectual property rights. Platforms offering free downloads often operate within legal boundaries, ensuring that the materials they provide are either in the public domain or authorized for distribution. By adhering to copyright laws, users can enjoy the benefits of free access to knowledge while supporting the authors and publishers who make these resources available. In conclusion, the availability of Same Minitauro Service Manual free PDF books and manuals for download has revolutionized the way we access and consume knowledge. With just a few clicks, individuals can explore a vast collection of resources across different disciplines, all free of charge. This accessibility empowers individuals to become lifelong learners, contributing to personal growth, professional development, and the advancement of society as a whole. So why not unlock a world of knowledge today? Start exploring the vast sea of free PDF books and manuals waiting to be discovered right at your fingertips.

## FAQs About Same Minitauro Service Manual Books

1. Where can I buy Same Minitauro Service Manual books? Bookstores: Physical bookstores like Barnes & Noble, Waterstones, and independent local stores. Online Retailers: Amazon, Book Depository, and various online bookstores offer a wide range of books in physical and digital formats.
2. What are the different book formats available? Hardcover: Sturdy and durable, usually more expensive. Paperback: Cheaper, lighter, and more portable than hardcovers. E-books: Digital books available for e-readers like Kindle or software like Apple Books, Kindle, and Google Play Books.
3. How do I choose a Same Minitauro Service Manual book to read? Genres: Consider the genre you enjoy (fiction, non-fiction, mystery, sci-fi, etc.). Recommendations: Ask friends, join book clubs, or explore online reviews and recommendations. Author: If you like a particular author, you might enjoy more of their work.
4. How do I take care of Same Minitauro Service Manual books? Storage: Keep them away from direct sunlight and in a dry environment. Handling: Avoid folding pages, use bookmarks, and handle them with clean hands. Cleaning: Gently dust the covers and pages occasionally.
5. Can I borrow books without buying them? Public Libraries: Local libraries offer a wide range of books for borrowing. Book Swaps: Community book exchanges or online platforms where people exchange books.
6. How can I track my reading progress or manage my book collection? Book Tracking Apps: Goodreads, LibraryThing, and Book Catalogue are popular apps for tracking your reading progress and managing book collections. Spreadsheets: You can create your own spreadsheet to track books read, ratings, and other details.
7. What are Same Minitauro Service Manual audiobooks, and where can I find them? Audiobooks: Audio recordings of books, perfect for listening while commuting or multitasking. Platforms: Audible, LibriVox, and Google Play Books offer a wide selection of audiobooks.
8. How do I support authors or the book industry? Buy Books: Purchase books from authors or independent bookstores. Reviews: Leave reviews on platforms like Goodreads or Amazon. Promotion: Share your favorite books on social media or recommend them to friends.
9. Are there book clubs or reading communities I can join? Local Clubs: Check for local book clubs in libraries or community centers. Online Communities: Platforms like Goodreads have virtual book clubs and discussion groups.
10. Can I read Same Minitauro Service Manual books for free? Public Domain Books: Many classic books are available for free as they're in the public domain. Free E-books: Some websites offer free e-books legally, like Project Gutenberg or Open Library.



**Find Same Minitauro Service Manual :**

*origine du nom de famille robine oeuvres courtes*

*origine du nom de famille sene oeuvres courtes*

**origine du nom de famille lucot oeuvres courtes**

orion intelliscopes object locator manual

*origine du nom de famille simorre oeuvres courtes*

ormb user guide

orphan children straight talk about orphans

**origine du nom de famille maris oeuvres courtes**

oscar mcmaster user manual

*origine du nom de famille strauss oeuvres courtes*

*origine du nom de famille mayeur oeuvres courtes*

origine du nom de famille rosa oeuvres courtes

*origine du nom de famille queiros oeuvres courtes*

origine du nom de famille vila oeuvres courtes

*origine du nom de famille ponson oeuvres courtes*

**Same Minitauro Service Manual :**

Police Communications Technician Exam Practice Tests [2023] The Police Communications Technician Exam, also known as the NYPD 911 Operator Exam, is 85-questions long and takes 2 hours and 45 minutes to complete. It ... 911 Dispatcher Practice Test (CitiCall, NYPD, CA POST) Prepare for the 911 Dispatcher test. Access free sample questions with explanations, study guides, and practice tests. Learn about the most common tests. 911 Dispatcher Practice Test Quiz! Nov 16, 2023 — What do you know about an emergency dispatcher? Can you pass this 911 dispatcher practice test free quiz we have designed below to check how ... 911 Dispatcher Test Practice Guide [CitiCall, POST & More] This is a complete prep guide for the 911 dispatcher test. Get updated info, sample questions, and practice tests for the most common dispatcher exams. Police Communications Technician The multiple-choice test may include questions requiring the use of any of the following abilities: Written Comprehension: understanding written sentences and ... 911 Dispatcher Practice Test The dispatcher test is a series of exams to screen candidates for 911 operator and emergency dispatcher jobs. ... Find out more about the NYPD Police ... Police Communications Technicians - NYPD Police Communications Technicians (911

operators/radio dispatchers) ... exams, events, and information about careers as an NYPD Police Communications Technician. 911 operator NYC civil service exam prep : r/911dispatchers 911 operator NYC civil service exam prep. QUESTIONS ... That's pretty much it, the county I work for only had questions like that on the test. NYC Civil Service Exam Practice Questions & Test Review ... Police Communications Technician Exam Secrets Study Guide: NYC Civil Service Exam Practice Questions ... Master the Public Safety Dispatcher/911 Operator Exam. NYC Police Communications Technician Study Guide The NYC Police Communications Technician Study Guide includes practice questions and instruction on how to tackle the specific subject areas on the New York ... To Educate the Human Potential by Maria Montessori A great emphasis is placed upon placing seeds of motivation and "wonder" in the child's mind, using a big, integrating picture of the world which is supposed to ... (6) To Educate the Human Potential (6) To Educate the Human Potential. \$13.00. This book is intended to help teachers to envisage the child's needs after the age of six. To Educate the Human Potential This book is intended to help teachers to envisage the child's needs after the age of six. Equipped in their whole being for the adventure of life, ... To educate the human potential: Maria Montessori The introduction explains that this book is meant to follow \_Education for a New World\_, and it "helps teachers envisage the child's needs after age six. To Educate The Human Potential To Educate The Human Potential ... A more comprehensive study of child development, this book is a companion volume to Education For A New World. While unfolding ... To Educate the Human Potential vol.6 To Educate the Human Potential is intended to help teachers to envisage the child's needs after the age of six. Regarding the cosmic plan, imagination, ... To Educate the Human Potential by Maria Montessori She addresses human development in its entirety, and the development of the human race. Moreover, this book takes a larger look at life and the cosmos, and ... To Educate the Human Potential by Maria Montessori | eBook Overview. This book is intended to follow Education for a New World and to help teachers to envisage the child's needs after the age of six. In Her Words: To Educate the Human Potential Our teaching must only answer the mental needs of the child, never dictate them. Full text of "To Educate The Human Potential Ed. 2nd" The universe is an imposing reality, and an answer to all questions. We shall walk together on this path of life, for all things are part of the universe, and ... Introduction to Black Studies: 9780943412238: Karenga, ... In this new edition, Dr Maulana Karenga has again compiled the latest material from a vast array of sources in the seven core areas of Black history, ... Introduction to Black Studies, 4th Edition Introduction to Black Studies, 4th Edition [Maulana Karenga] on Amazon.com. \*FREE\* shipping on qualifying offers. Introduction to Black Studies, ... Introduction to Black studies | WorldCat.org "Introduction to Black Studies is a unique and highly acclaimed introduction to the discipline of Black/Africana Studies, providing students with an ... Introduction to Black Studies Introduction to Black Studies. by karenga, maulana. Introduction to Black Studies. SKU: MBS\_976679\_used. Edition: 4TH 10. Publisher: U SANKORE. ISBN10:. Introduction to Black studies : Karenga, Maulana May 18, 2022 — Subject: I am gonna fail. Whoever is using the book right now needs to stop hogging it, so I can complete my exam in time. Introduction to

Black Studies, 4th Edition This is an excellent introduction to the breadth and depth of Black Studies. Karenga treats the subject with great care and the details of a scholar. Introduction to Black Studies, 4th Edition Introduction to Black Studies, 4th Edition. by Maulana Karenga. Paperback. Genre: Black Studies; Tags: African Americans. \$45.00. Add to Cart ... Introduction to Black studies - Nassau Community College "Introduction to Black Studies is a unique and highly acclaimed introduction to the discipline of Black/Africana Studies, providing students with an ... Introduction to Black studies Introduction to Black studies ; Author: Karenga ; Edition: 2nd ed View all formats and editions ; Publisher: University of Sankore Press, Los Angeles, 1993. Introduction Black Studies 4th Edition by Maulana Karenga Introduction to Black Studies, 4th Edition by Maulana Karenga and a great selection of related books, art and collectibles available now at AbeBooks.com.