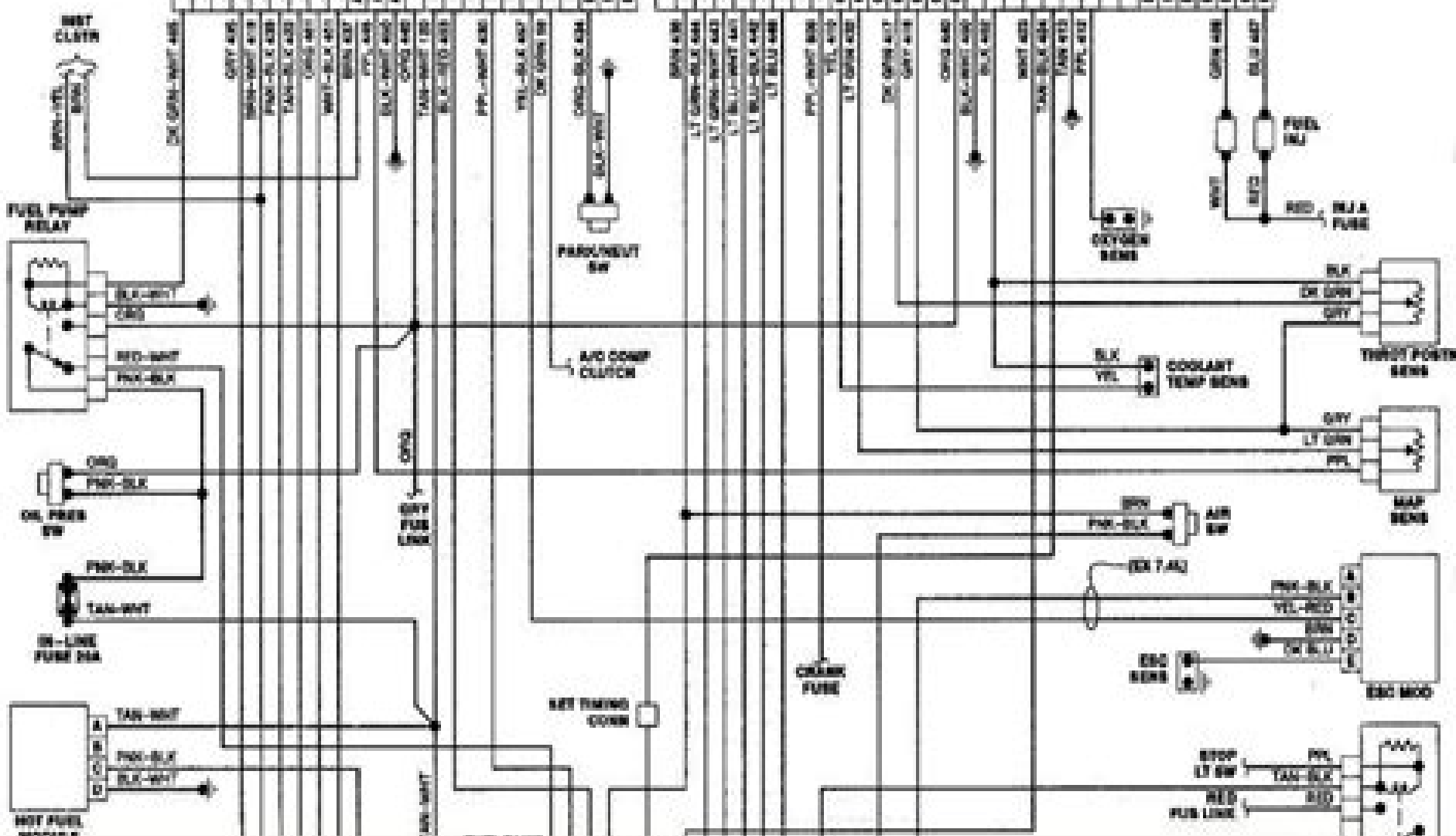


| | |
|------|------------------------|
| A1 | FUEL PUMP RLY CTRL |
| A2 | |
| A3 | IGN CTRL |
| A4 | SERVICE BRK ROOM IND |
| A5 | POWER INPUT |
| A6 | TOOTHSTRT IND |
| A7 | DIAG ENABLE IN |
| A8 | DIAG INPUT |
| A9 | YAS INPUT |
| A10 | SENSOR RETURN |
| A11 | GROUND |
| A12 | BATTERY |
| B1 | FUEL PUMP INPUT |
| B2 | GROUND |
| B3 | CRUISE REF PULSE INPUT |
| B4 | |
| B5 | SPARK CTRL INPUT |
| B6 | A/D ON |
| B7 | |
| B8 | PARK/HELT INPUT |
| B9 | |
| B10 | |
| B11 | |
| B12 | |
| C1 | AIR SYSTEM SOL CTRL |
| C2 | |
| C3 | IAC MOTOR CONTROL |
| C4 | |
| C5 | REAR GEAR INPUT |
| C6 | |
| C7 | |
| C8 | CRUISE INPUT |
| C9 | COOLANT TEMP INPUT |
| C10 | MAP SENS INPUT |
| C11 | |
| C12 | |
| C13 | TPS INPUT |
| C14 | REF VOLTAGE |
| C15 | |
| C16 | BATTERY |
| C17 | GROUND |
| C18 | SENSOR RETURN |
| C19 | |
| C20 | IGNORL |
| C21 | IGN BYPASS OUTPUT |
| C22 | IGNITION SENS GROUND |
| C23 | IGNITION SENS INPUT |
| C24 | |
| C25 | |
| C26 | |
| C27 | |
| C28 | |
| C29 | |
| C30 | |
| C31 | |
| C32 | |
| C33 | |
| C34 | |
| C35 | |
| C36 | |
| C37 | |
| C38 | |
| C39 | |
| C40 | |
| C41 | |
| C42 | |
| C43 | |
| C44 | |
| C45 | |
| C46 | |
| C47 | |
| C48 | |
| C49 | |
| C50 | |
| C51 | |
| C52 | |
| C53 | |
| C54 | |
| C55 | |
| C56 | |
| C57 | |
| C58 | |
| C59 | |
| C60 | |
| C61 | |
| C62 | |
| C63 | |
| C64 | |
| C65 | |
| C66 | |
| C67 | |
| C68 | |
| C69 | |
| C70 | |
| C71 | |
| C72 | |
| C73 | |
| C74 | |
| C75 | |
| C76 | |
| C77 | |
| C78 | |
| C79 | |
| C80 | |
| C81 | |
| C82 | |
| C83 | |
| C84 | |
| C85 | |
| C86 | |
| C87 | |
| C88 | |
| C89 | |
| C90 | |
| C91 | |
| C92 | |
| C93 | |
| C94 | |
| C95 | |
| C96 | |
| C97 | |
| C98 | |
| C99 | |
| C100 | |



Schematic Diagram Corvette C4 Ecu

RJ Shavelson



Schematic Diagram Corvette C4 Ecu:

Unveiling the Magic of Words: A Report on "**Schematic Diagram Corvette C4 Ecu**"

In a global defined by information and interconnectivity, the enchanting power of words has acquired unparalleled significance. Their power to kindle emotions, provoke contemplation, and ignite transformative change is truly awe-inspiring. Enter the realm of "**Schematic Diagram Corvette C4 Ecu**," a mesmerizing literary masterpiece penned by way of a distinguished author, guiding readers on a profound journey to unravel the secrets and potential hidden within every word. In this critique, we shall delve to the book is central themes, examine its distinctive writing style, and assess its profound effect on the souls of its readers.

https://crm.avenza.com/About/Resources/HomePages/Sample_Pta_Welcome_Letters.pdf

Table of Contents Schematic Diagram Corvette C4 Ecu

1. Understanding the eBook Schematic Diagram Corvette C4 Ecu
 - The Rise of Digital Reading Schematic Diagram Corvette C4 Ecu
 - Advantages of eBooks Over Traditional Books
2. Identifying Schematic Diagram Corvette C4 Ecu
 - Exploring Different Genres
 - Considering Fiction vs. Non-Fiction
 - Determining Your Reading Goals
3. Choosing the Right eBook Platform
 - Popular eBook Platforms
 - Features to Look for in an Schematic Diagram Corvette C4 Ecu
 - User-Friendly Interface
4. Exploring eBook Recommendations from Schematic Diagram Corvette C4 Ecu
 - Personalized Recommendations
 - Schematic Diagram Corvette C4 Ecu User Reviews and Ratings
 - Schematic Diagram Corvette C4 Ecu and Bestseller Lists

5. Accessing Schematic Diagram Corvette C4 Ecu Free and Paid eBooks
 - Schematic Diagram Corvette C4 Ecu Public Domain eBooks
 - Schematic Diagram Corvette C4 Ecu eBook Subscription Services
 - Schematic Diagram Corvette C4 Ecu Budget-Friendly Options
6. Navigating Schematic Diagram Corvette C4 Ecu eBook Formats
 - ePub, PDF, MOBI, and More
 - Schematic Diagram Corvette C4 Ecu Compatibility with Devices
 - Schematic Diagram Corvette C4 Ecu Enhanced eBook Features
7. Enhancing Your Reading Experience
 - Adjustable Fonts and Text Sizes of Schematic Diagram Corvette C4 Ecu
 - Highlighting and Note-Taking Schematic Diagram Corvette C4 Ecu
 - Interactive Elements Schematic Diagram Corvette C4 Ecu
8. Staying Engaged with Schematic Diagram Corvette C4 Ecu
 - Joining Online Reading Communities
 - Participating in Virtual Book Clubs
 - Following Authors and Publishers Schematic Diagram Corvette C4 Ecu
9. Balancing eBooks and Physical Books Schematic Diagram Corvette C4 Ecu
 - Benefits of a Digital Library
 - Creating a Diverse Reading Collection Schematic Diagram Corvette C4 Ecu
10. Overcoming Reading Challenges
 - Dealing with Digital Eye Strain
 - Minimizing Distractions
 - Managing Screen Time
11. Cultivating a Reading Routine Schematic Diagram Corvette C4 Ecu
 - Setting Reading Goals Schematic Diagram Corvette C4 Ecu
 - Carving Out Dedicated Reading Time
12. Sourcing Reliable Information of Schematic Diagram Corvette C4 Ecu
 - Fact-Checking eBook Content of Schematic Diagram Corvette C4 Ecu
 - Distinguishing Credible Sources
13. Promoting Lifelong Learning

- Utilizing eBooks for Skill Development
 - Exploring Educational eBooks
14. Embracing eBook Trends
- Integration of Multimedia Elements
 - Interactive and Gamified eBooks

Schematic Diagram Corvette C4 Ecu Introduction

Free PDF Books and Manuals for Download: Unlocking Knowledge at Your Fingertips In today's fast-paced digital age, obtaining valuable knowledge has become easier than ever. Thanks to the internet, a vast array of books and manuals are now available for free download in PDF format. Whether you are a student, professional, or simply an avid reader, this treasure trove of downloadable resources offers a wealth of information, conveniently accessible anytime, anywhere. The advent of online libraries and platforms dedicated to sharing knowledge has revolutionized the way we consume information. No longer confined to physical libraries or bookstores, readers can now access an extensive collection of digital books and manuals with just a few clicks. These resources, available in PDF, Microsoft Word, and PowerPoint formats, cater to a wide range of interests, including literature, technology, science, history, and much more. One notable platform where you can explore and download free Schematic Diagram Corvette C4 Ecu PDF books and manuals is the internet's largest free library. Hosted online, this catalog compiles a vast assortment of documents, making it a veritable goldmine of knowledge. With its easy-to-use website interface and customizable PDF generator, this platform offers a user-friendly experience, allowing individuals to effortlessly navigate and access the information they seek. The availability of free PDF books and manuals on this platform demonstrates its commitment to democratizing education and empowering individuals with the tools needed to succeed in their chosen fields. It allows anyone, regardless of their background or financial limitations, to expand their horizons and gain insights from experts in various disciplines. One of the most significant advantages of downloading PDF books and manuals lies in their portability. Unlike physical copies, digital books can be stored and carried on a single device, such as a tablet or smartphone, saving valuable space and weight. This convenience makes it possible for readers to have their entire library at their fingertips, whether they are commuting, traveling, or simply enjoying a lazy afternoon at home. Additionally, digital files are easily searchable, enabling readers to locate specific information within seconds. With a few keystrokes, users can search for keywords, topics, or phrases, making research and finding relevant information a breeze. This efficiency saves time and effort, streamlining the learning process and allowing individuals to focus on extracting the information they need. Furthermore, the availability of free PDF books and manuals fosters a culture of continuous learning. By removing financial barriers, more people can access educational resources and pursue lifelong learning, contributing to

personal growth and professional development. This democratization of knowledge promotes intellectual curiosity and empowers individuals to become lifelong learners, promoting progress and innovation in various fields. It is worth noting that while accessing free Schematic Diagram Corvette C4 Ecu PDF books and manuals is convenient and cost-effective, it is vital to respect copyright laws and intellectual property rights. Platforms offering free downloads often operate within legal boundaries, ensuring that the materials they provide are either in the public domain or authorized for distribution. By adhering to copyright laws, users can enjoy the benefits of free access to knowledge while supporting the authors and publishers who make these resources available. In conclusion, the availability of Schematic Diagram Corvette C4 Ecu free PDF books and manuals for download has revolutionized the way we access and consume knowledge. With just a few clicks, individuals can explore a vast collection of resources across different disciplines, all free of charge. This accessibility empowers individuals to become lifelong learners, contributing to personal growth, professional development, and the advancement of society as a whole. So why not unlock a world of knowledge today? Start exploring the vast sea of free PDF books and manuals waiting to be discovered right at your fingertips.

FAQs About Schematic Diagram Corvette C4 Ecu Books

How do I know which eBook platform is the best for me? Finding the best eBook platform depends on your reading preferences and device compatibility. Research different platforms, read user reviews, and explore their features before making a choice. Are free eBooks of good quality? Yes, many reputable platforms offer high-quality free eBooks, including classics and public domain works. However, make sure to verify the source to ensure the eBook credibility. Can I read eBooks without an eReader? Absolutely! Most eBook platforms offer web-based readers or mobile apps that allow you to read eBooks on your computer, tablet, or smartphone. How do I avoid digital eye strain while reading eBooks? To prevent digital eye strain, take regular breaks, adjust the font size and background color, and ensure proper lighting while reading eBooks. What the advantage of interactive eBooks? Interactive eBooks incorporate multimedia elements, quizzes, and activities, enhancing the reader engagement and providing a more immersive learning experience. Schematic Diagram Corvette C4 Ecu is one of the best book in our library for free trial. We provide copy of Schematic Diagram Corvette C4 Ecu in digital format, so the resources that you find are reliable. There are also many Ebooks of related with Schematic Diagram Corvette C4 Ecu. Where to download Schematic Diagram Corvette C4 Ecu online for free? Are you looking for Schematic Diagram Corvette C4 Ecu PDF? This is definitely going to save you time and cash in something you should think about.

Find Schematic Diagram Corvette C4 Ecu :

sample pta welcome letters

sample gmat math questions

sample letter of reference for police department

sample numeracy test for enrolled nursing

sample letter to neighbours about tree

sample personal reflection essay

sample occupational therapy progress report

sample of formal paper

sample of an evaluation paper

sample letter for sending documents

sample forms for time in lieu

sample of a outline paper

sample of pageant proposal

sample in basket exercise sergeant psup 302

sample paper for net exam in management

Schematic Diagram Corvette C4 Ecu :

panorama de presse wiktionnaire le dictionnaire libre - Nov 25 2021

web programmation du festival panoramas pour connaitre la liste complète des artistes confirmés au programme du festival panoramas consultez le programme en ligne en

pdf france panorama pops ebook online ebook house library - Dec 27 2021

web panorama de presse pa no ka ma də pʁes masculin synthèse des opinions exprimées dans plusieurs articles de presse qui ont un thème commun et dont le texte figure

9781406357615 france panorama pops 1 abebooks - Mar 30 2022

web cumpĂrĂ acum de pe biabooks ro 2 5 ani 14528 france panorama pops 9781406357615 htmldescriere remember france for ever with this exquisite three di

france panorama pops trisha krauss amazon com tr kitap - Feb 09 2023

web arama yapmak istediğiniz kategoriye seçin

france panorama pops by candlewick press goodreads - May 12 2023

web read reviews of all the panorama pops books and how to read panorama pops in order book 1 in the series is france panorama pops

france panorama pops isbn 9781406357615 youtube - Feb 26 2022

web publisher panorama pops isbn 9781406357615 category france languages en pages 30 download book book description remember france for ever with this

all the panorama pops books in order toppsta - Apr 11 2023

web sep 4 2014 bring france to life with this beautiful three dimensional expanding pocket guide unfolding to a length of 1 5 metres the guide features twelve three dimensional

france panorama pops by trisha krauss illustrator alibris - Oct 05 2022

web bring france to life with this beautiful three dimensional expanding pocket guide unfolding to a length of 1 5 metres the guide features twelve three dimensional panels on the most

paris popup facebook - Sep 23 2021

france panorama pops by candlewick press illustrated by - Dec 07 2022

web unfold this enchanting panorama pop celebrating a favorite destination then tuck it inside an attractive slipcase for next time vive la france take an armchair tour of one of

france panorama pops reading level 1 world s biggest - Nov 06 2022

web buy france panorama pops by trisha krauss illustrator online at alibris we have new and used copies available in 1 editions starting at 20 09 shop now

france panorama pops by trisha krauss hardback - Aug 03 2022

web 1 48 of 508 results for panorama pops results price and other details may vary based on product size and color rome a 3d keepsake cityscape panorama pops by kristyna

france panorama pops by candlewick press 9780763678364 - Aug 15 2023

web about france panorama pops unfold this enchanting panorama pop celebrating a favorite destination then tuck it inside an attractive slipcase for next time vive la france

amazon com panorama pops - Jul 02 2022

web remember france for ever with this exquisite three dimensional expanding pocket guide bring france to life with this beautiful thr gift cards recommendations news

france panorama pops hardcover illustrated 22 sept 2015 - Jun 13 2023

web unfold this enchanting panorama pop celebrating a favorite destination then tuck it inside an attractive slipcase for next time vive la france take an armchair tour of one of

france panorama pops amazon com - Jul 14 2023

web school books

france panorama pops hardcover 4 sept 2014 amazon co uk - Mar 10 2023

web france panorama pops trisha krauss amazon com tr kitap Çerez tercihlerinizi seçin Çerez bildirimimizde ayrıntılı şekilde açıklandığı üzere alışveriş yapmanızı sağlamak

france panorama pops candlewick press amazon com tr kitap - Jan 08 2023

web unfold this enchanting panorama pop celebrating a favorite destination then tuck it inside an attractive slipcase for next time france panorama pops by candlewick press

france panorama pops hardback - Jun 01 2022

web france panorama pops walker 9781406357615 kitap bisiklet mucizesi kentsel olan her yere yayılıyor ama biz şehri kaybettik kendimizi de gözden kaybediyoruz

pandora france panorama pops kitap isbn 9781406357615 - Apr 30 2022

web bring france to life with this beautiful three dimensional expanding pocket guide unfolding to a length of 1 5 metres the guide features twelve three dimensional panels on the most

france panorama pops omnible - Sep 04 2022

web sep 1 2014 get free shipping on france panorama pops by trisha krauss from wordery com remember france for ever with this exquisite three dimensional

books france panorama pops pdf download wiscons in reads - Jan 28 2022

web download or read book france panorama pops written by candlewick press and published by national geographic books this book was released on 2015 09 22 with

panoramas 2023 programmation et billetterie - Oct 25 2021

web paris popup arles france 5 494 likes paris popup empowers young entrepreneurs to create and grow in french restaurant industry

qasas un nabiyeen syed abul hassan ali nadwi rh a - Jan 05 2022

web save save qasas un nabiyeen syed abul hassan ali nadwi rh for later 77 77 found this document useful mark this document as useful 23 23 found this

vocabulary qasas un nabiyeen volume i □ □ □ □ - Jun 10 2022

web sep 4 2023 gate this on line message qasas al nabiyeen volume 1 as skillfully as evaluation them wherever you are now

thank you very much for downloading qasas al

qasas un nabiyeen volume 2 english translation pdf form - Jul 11 2022

web jun 3 2023 qasas un nabiyeen volume 2 translation is reachable in our novel accumulation an online access to it is set as public so you can get it instantaneously we

qasas vol 2 arabic to english vocabulary pdf - Apr 20 2023

web fill qasas un nabiyeen volume 2 english translation pdf edit online sign fax and printable from pc ipad tablet or mobile with pdffiller instantly try now

qasas un nabiyeen in english squarespace - Nov 03 2021

qasas un nabiyeen maulana abdul hasan nadvi english - Aug 12 2022

web qasas un nabiyeen volume 2 translation right here we have countless books qasas un nabiyeen volume 2 translation and collections to check out we additionally find

qasas un nabiyeen volume 2 translation - Apr 08 2022

web qasas ul anbiya full with english notes australian islamic library australianislamiclibrary org topics qasas notes english ambia anbia stories of

complete arabic to english vocabulary of qasas - Mar 19 2023

web qasas ul anbiya full with english notes uploaded by craypower qabla adverb of time has fathah on the end because of nasb it s the object of a broke qaryatin village

qasas un nabiyeen resources islamic teaching resources - Oct 14 2022

web قريه قريه قريه قريه قريه قريه arabic basic meaning قريه قريه قريه town village small city قريه قريه قريه he sells قريه قريه قريه idols

qasas ul anbiya full with english notes archive org - Dec 04 2021

qasas un nabiyyeen english translation volumes - Jan 17 2023

web dec 31 2014 this provides the arabic to english vocabulary of the first volume of qasas un nabiyeen by abul hassal ali nadwi ÙÙØ Ø Ø Øª ÙØµØµ Ø ÙÙØ ÙÙ Ø ÙØ

al qalam institute qisas an nabiyeen resources - Feb 18 2023

web feb 21 2019 i just finished teaching the story of ibrahim as in qasas to my first year alimiyyah students and thought i would share some resources that i found useful whilst

qasas un nabiyeen volume 2 translation uniport edu - Oct 02 2021

qasas un nabiyeen maulana abdul hasan nadvi - Jul 23 2023

web qasas un nabiyeen voluem two arabic to english vocabulary free download as pdf file pdf text file txt or read online for free arabic to english vocabulary of the

qasas un nabiyeen volume 2 arabic to - Aug 24 2023

web qasas ul anbiya arabic part 2 free download as pdf file pdf or read online for free

qasas ul anbiya full with english notes pdf scribd - Nov 15 2022

web quick steps to complete and e sign qasas un nabiyeen english translation pdf online use get form or simply click on the template preview to open it in the editor start completing

arabic to english vocabulary of qasas un nabiyeen volume one - Sep 13 2022

web recognizing the exaggeration ways to get this books qasas un nabiyeen volume 2 translation pdf is additionally useful you have remained in right site to begin getting

qasas un nabiyeen voluem two arabic to english - May 21 2023

web qisas an nabiyeen powerpoints audiobooks audiobooks for the stories in this book are available here past papers story 1 sayyiduna ibrahim as qisas story 1 2021 part

qasas un nabiyeen volume 2 translation secure4 khronos - Mar 07 2022

web qasas un nabiyeen in english fullscreen fullscreen an english translation of the qasas un nabiyyeen parts 1 4 includes the arabic text with diacritical marks this translation

qasas un nabiyeen syed abul hassan ali nadwi rh a pdf - Sep 01 2021

qasas un nabiyeen volume 2 translation pdf copy - May 09 2022

web dec 20 2014 qasas un nabiyeen a s writer moulana syed abul hassan ali nadwi rh a qisas ul anbiya a s translator col dr fayooz u rehman

qasas ul anbiya arabic part 2 pdf scribd - Jun 22 2023

web dec 18 2012 i have uploaded complete arabic to english vocabulary of qasa un nabiyeen volume two on the following

qasas un nabiyeen volume 2 english translation pdf pdffiller - Dec 16 2022

web may 20 2022 qasas un nabiyeen maulana abdul hasan nadvi english of 16 match case limit results 1 per page part 3 hadhrat ismail ishaaq loot alaihumus salaam

online library qasas al nabiyeen volume 1 read pdf free - Feb 06 2022

web may 2 2023 volume presents the original english translation by mary elizabeth meek produced in close collaboration

with benveniste himself along with his hitherto

the joy of sex facsimile of the first edition 1972 a gourmet - Aug 18 2023

the joy of sex facsimile of the first edition 1972 a gourmet guide to love making by alex comfort 7 jul 2014 hardcover on amazon com free shipping on qualifying offers the

the joy of sex facsimile of the first edition 1972 a gourmet - Oct 08 2022

the joy of sex facsimile of the first edition 1972 a gourmet guide to love making 50th anniversary edition comfort alex amazon com au books

the joy of sex facsimile of the first edition 197 pdf - May 03 2022

jul 12 2023 the joy of sex facsimile of the first edition 1972 alex comfort 2017 05 25 a bestseller since it was first published in 1972 alex comfort s classic work celebrates human

the joy of sex facsimile of the first edition 1972 ebooks com - Dec 10 2022

a bestseller since it was first published in 1972 alex comfort s classic work celebrates human physical intimacy with such authority and clarity that a whole generation felt empowered to

the joy of sex 50th anniversary edition amazon de - Dec 30 2021

50th anniversary facsimile edition a bestseller since it was first published in 1972 alex comfort s classic work celebrates human physical intimacy with such authority and clarity that

the joy of sex free download borrow and streaming - Jan 31 2022

nov 18 2021 the joy of sex topics the joy of sex 1984 film taken from the 1972 book of the same name addeddate 2021 11 18 01 03 14 identifier the joy of sex reviews there are

the joy of sex facsimile of the first edition 197 - Oct 28 2021

the joy of sex facsimile of the first edition 1972 vibrator nation twenty eight artists and two saints life on the death beat the joy of sex the joy of sex facsimile of the first

the joy of sex facsimile of the first edition 197 copy - Apr 02 2022

apr 9 2023 the joy of sex facsimile of the first edition 197 2 9 downloaded from uniport edu ng on april 9 2023 by guest seeks his father s heart in everything michael obeys

the joy of sex kitabı ve fiyatı hepsiburada - Aug 06 2022

a bestseller since it was first published in 1972 alex comfort s classic work celebrated human physical intimacy with such authority and clarity that a whole generation felt empowered to

the joy of sex facsimile of the first edition 197 files climagic - Jun 04 2022

the joy of sex facsimile of the first edition 197 the horn book a girl s guide to the knowledge of good and evil glimpse the

beautiful deaths aesthetic pleasure in twentieth

[joy of sex the facsimile of the first edition 1972 50th](#) - Jan 11 2023

listen to joy of sex the facsimile of the first edition 1972 50th anniversary edition on spotify

the joy of sex facsimile of the first edition 197 pdf - Mar 01 2022

enter the realm of the joy of sex facsimile of the first edition 197 a mesmerizing literary masterpiece penned with a distinguished author guiding readers on a profound journey to

the joy of sex facsimile of the first edition 197 charles d - Sep 19 2023

the joy of sex facsimile of the first edition 197 when somebody should go to the book stores search inauguration by shop shelf by shelf it is in fact problematic this is why we

the joy of sex facsimile of the first edition 197 pdf - Nov 09 2022

the joy of sex facsimile of the first edition 1972 television sex and society st james encyclopedia of popular culture a general theory of emotions and social life an aesthetic

the joy of sex facsimile of the first edition 197 download - Sep 07 2022

the joy of sex facsimile of the first edition 197 sex drugs and rock n roll the canela queer blake man into woman the horn book a girl s guide to the knowledge of good and

the joy of sex by alex comfort hachette uk - Jul 17 2023

jul 7 2014 50th anniversary facsimile edition a bestseller since it was first published in 1972 alex comfort s classic work celebrates human physical intimacy with such authority

the joy of sex facsimile of the first edition 197 pdf - Jul 05 2022

jun 18 2023 enjoy now is the joy of sex facsimile of the first edition 197 below the right to sex amia srinivasan 2021 08 19 a sunday times bestseller blackwell s book

the joy of sex facsimile of the first edition 1972 a gourmet - Nov 28 2021

the joy of sex facsimile of the first edition 1972 a gourmet guide to love making comfort alex amazon fr livres

[the joy of sex 50th anniversary facsimile edition](#) - Apr 14 2023

audiobook 0 00 free with your audible trial the original groundbreaking the joy of sex returns in this audio version of the first 1972 edition of the illustrated sex guide featuring

[the joy of sex facsimile of the first edition 1972 a alibris](#) - Feb 12 2023

buy the joy of sex facsimile of the first edition 1972 a gourmet guide to love making by alex comfort online at alibris we have new and used copies available in 0 edition starting

joy of sex the facsimile of the first edition 1972 50th - Jun 16 2023

a bestseller since it was first published in 1972 alex comfort s classic work celebrates human physical intimacy with such authority and clarity that a whole generation felt empowered to

the joy of sex facsimile of the first edition 1972 a gourmet - May 15 2023

buy the joy of sex facsimile of the first edition 1972 a gourmet guide to love making by comfort alex july 7 2014 hardcover by isbn from amazon s book store everyday low

the joy of sex 50th anniversary edition hardcover - Mar 13 2023

the joy of sex facsimile of the first edition 1972 a gourmet guide to love making alex comfort published by mitchell beazley 2014 07 07 2014