



12

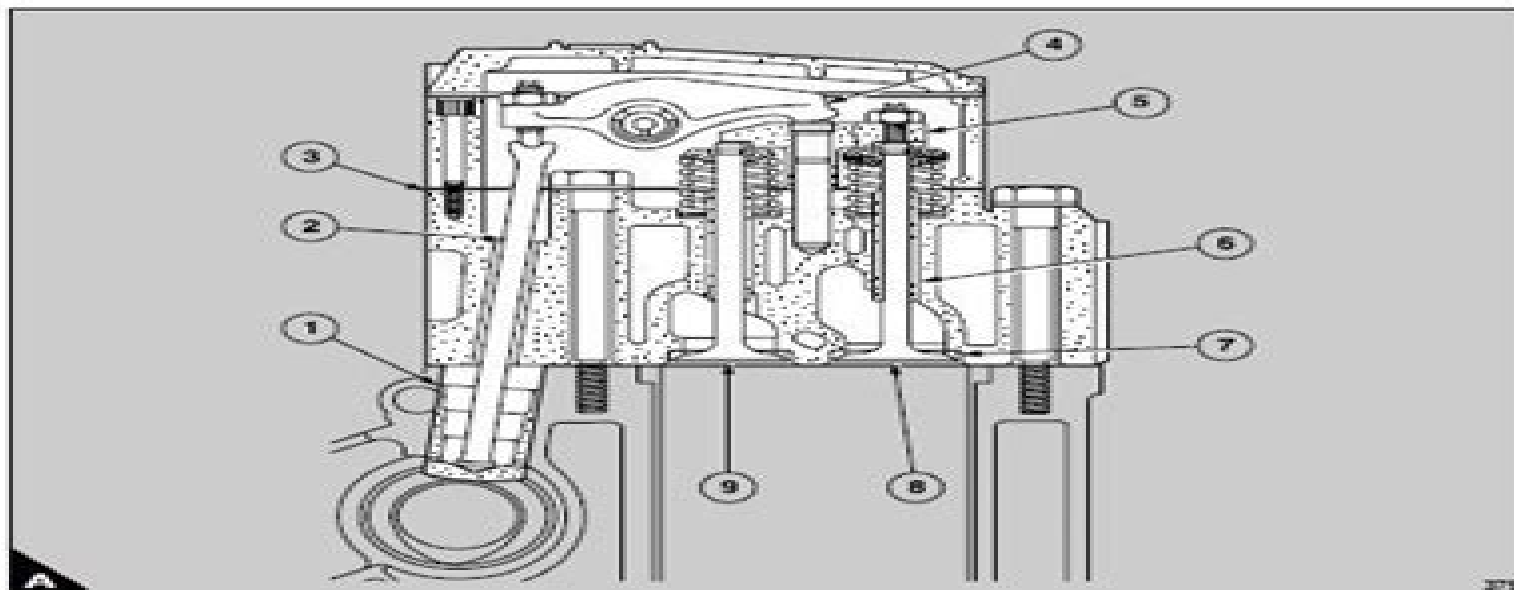
Cylinder head assembly

General description

The four cylinder heads, which are all the same, are made from high quality cast iron and are retained by bolts or by studs on early engines. They are machined on the top and bottom faces for the rocker box and the cylinder head gaskets respectively. Joint faces are machined on the inner and outer sides for the induction and the exhaust manifolds. There are passages for coolant in the cylinder head around the valve guides and the pockets for the fuel injectors.

The valve guides (A6) are made from an alloy of high quality nickel chromium and are a press fit in the cylinder head. The valve seat inserts (A7) are cooled and pressed into recesses which are machined in the cylinder heads.

Continued



Perkins 3012 Workshop Manual

**R.R. Bowker Company. Department of
Bibliography**

Perkins 3012 Workshop Manual:

Dragagem ,1975 **National Union Catalog** ,1980 Includes entries for maps and atlases **Machinery Lloyd** ,1980
Farmers and Consumers Market Bulletin ,2010 **American Book Publishing Record Cumulative, 1950-1977**
R.R. Bowker Company. Department of Bibliography,1978 Books in Print Supplement ,1985 Medical Books and Serials
in Print ,1983 Books in Print ,1987 Who's Who in the Midwest, 1984-1985 Marquis Who's Who, LLC,1984
Forthcoming Books Rose Army,1998-04 *Who's who in the South and Southwest* ,1991 Includes names from the
States of Alabama Arkansas the District of Columbia Florida Georgia Kentucky Louisiana Mississippi North Carolina
Oklahoma South Carolina Tennessee Texas and Virginia and Puerto Rico and the Virgin Islands *Medical and Health Care*
Books and Serials in Print ,1985 **British Books in Print** ,1980 **Ford Transit Owners Workshop Manual** J H.
Haynes,1980 Ford Transit Diesel 2006 to 2013 John S. Mead,2013-12-01 This book covers Ford Transit models with 4
cylinder diesel engines 2 2 litre 2198cc 2 4 litre 2402cc *Hino Workshop Manual* ,1984* **Workshop Manual for the 1**
1/2 Ton, 2 Ton and 3 Ton 'walk-thru' Models ,1960* **Morris Minor 1000 Owner's Workshop Manual** ,196?
Saturn Engine workshop manual ,1980 **International 634 Tractor Workshop Manual** International Harvester
Company,1970*

Reviewing **Perkins 3012 Workshop Manual**: Unlocking the Spellbinding Force of Linguistics

In a fast-paced world fueled by information and interconnectivity, the spellbinding force of linguistics has acquired newfound prominence. Its capacity to evoke emotions, stimulate contemplation, and stimulate metamorphosis is truly astonishing. Within the pages of "**Perkins 3012 Workshop Manual**," an enthralling opus penned by a very acclaimed wordsmith, readers set about an immersive expedition to unravel the intricate significance of language and its indelible imprint on our lives. Throughout this assessment, we shall delve into the book's central motifs, appraise its distinctive narrative style, and gauge its overarching influence on the minds of its readers.

<https://crm.avenza.com/public/publication/Documents/Powerdrive%20%20Battery%20Charger%20Manual.pdf>

Table of Contents Perkins 3012 Workshop Manual

1. Understanding the eBook Perkins 3012 Workshop Manual
 - The Rise of Digital Reading Perkins 3012 Workshop Manual
 - Advantages of eBooks Over Traditional Books
2. Identifying Perkins 3012 Workshop Manual
 - Exploring Different Genres
 - Considering Fiction vs. Non-Fiction
 - Determining Your Reading Goals
3. Choosing the Right eBook Platform
 - Popular eBook Platforms
 - Features to Look for in an Perkins 3012 Workshop Manual
 - User-Friendly Interface
4. Exploring eBook Recommendations from Perkins 3012 Workshop Manual
 - Personalized Recommendations
 - Perkins 3012 Workshop Manual User Reviews and Ratings
 - Perkins 3012 Workshop Manual and Bestseller Lists

5. Accessing Perkins 3012 Workshop Manual Free and Paid eBooks
 - Perkins 3012 Workshop Manual Public Domain eBooks
 - Perkins 3012 Workshop Manual eBook Subscription Services
 - Perkins 3012 Workshop Manual Budget-Friendly Options
6. Navigating Perkins 3012 Workshop Manual eBook Formats
 - ePub, PDF, MOBI, and More
 - Perkins 3012 Workshop Manual Compatibility with Devices
 - Perkins 3012 Workshop Manual Enhanced eBook Features
7. Enhancing Your Reading Experience
 - Adjustable Fonts and Text Sizes of Perkins 3012 Workshop Manual
 - Highlighting and Note-Taking Perkins 3012 Workshop Manual
 - Interactive Elements Perkins 3012 Workshop Manual
8. Staying Engaged with Perkins 3012 Workshop Manual
 - Joining Online Reading Communities
 - Participating in Virtual Book Clubs
 - Following Authors and Publishers Perkins 3012 Workshop Manual
9. Balancing eBooks and Physical Books Perkins 3012 Workshop Manual
 - Benefits of a Digital Library
 - Creating a Diverse Reading Collection Perkins 3012 Workshop Manual
10. Overcoming Reading Challenges
 - Dealing with Digital Eye Strain
 - Minimizing Distractions
 - Managing Screen Time
11. Cultivating a Reading Routine Perkins 3012 Workshop Manual
 - Setting Reading Goals Perkins 3012 Workshop Manual
 - Carving Out Dedicated Reading Time
12. Sourcing Reliable Information of Perkins 3012 Workshop Manual
 - Fact-Checking eBook Content of Perkins 3012 Workshop Manual
 - Distinguishing Credible Sources
13. Promoting Lifelong Learning

- Utilizing eBooks for Skill Development
 - Exploring Educational eBooks
14. Embracing eBook Trends
- Integration of Multimedia Elements
 - Interactive and Gamified eBooks

Perkins 3012 Workshop Manual Introduction

Free PDF Books and Manuals for Download: Unlocking Knowledge at Your Fingertips In today's fast-paced digital age, obtaining valuable knowledge has become easier than ever. Thanks to the internet, a vast array of books and manuals are now available for free download in PDF format. Whether you are a student, professional, or simply an avid reader, this treasure trove of downloadable resources offers a wealth of information, conveniently accessible anytime, anywhere. The advent of online libraries and platforms dedicated to sharing knowledge has revolutionized the way we consume information. No longer confined to physical libraries or bookstores, readers can now access an extensive collection of digital books and manuals with just a few clicks. These resources, available in PDF, Microsoft Word, and PowerPoint formats, cater to a wide range of interests, including literature, technology, science, history, and much more. One notable platform where you can explore and download free Perkins 3012 Workshop Manual PDF books and manuals is the internet's largest free library. Hosted online, this catalog compiles a vast assortment of documents, making it a veritable goldmine of knowledge. With its easy-to-use website interface and customizable PDF generator, this platform offers a user-friendly experience, allowing individuals to effortlessly navigate and access the information they seek. The availability of free PDF books and manuals on this platform demonstrates its commitment to democratizing education and empowering individuals with the tools needed to succeed in their chosen fields. It allows anyone, regardless of their background or financial limitations, to expand their horizons and gain insights from experts in various disciplines. One of the most significant advantages of downloading PDF books and manuals lies in their portability. Unlike physical copies, digital books can be stored and carried on a single device, such as a tablet or smartphone, saving valuable space and weight. This convenience makes it possible for readers to have their entire library at their fingertips, whether they are commuting, traveling, or simply enjoying a lazy afternoon at home. Additionally, digital files are easily searchable, enabling readers to locate specific information within seconds. With a few keystrokes, users can search for keywords, topics, or phrases, making research and finding relevant information a breeze. This efficiency saves time and effort, streamlining the learning process and allowing individuals to focus on extracting the information they need. Furthermore, the availability of free PDF books and manuals fosters a culture of continuous learning. By removing financial barriers, more people can access educational resources and pursue lifelong learning, contributing to

personal growth and professional development. This democratization of knowledge promotes intellectual curiosity and empowers individuals to become lifelong learners, promoting progress and innovation in various fields. It is worth noting that while accessing free Perkins 3012 Workshop Manual PDF books and manuals is convenient and cost-effective, it is vital to respect copyright laws and intellectual property rights. Platforms offering free downloads often operate within legal boundaries, ensuring that the materials they provide are either in the public domain or authorized for distribution. By adhering to copyright laws, users can enjoy the benefits of free access to knowledge while supporting the authors and publishers who make these resources available. In conclusion, the availability of Perkins 3012 Workshop Manual free PDF books and manuals for download has revolutionized the way we access and consume knowledge. With just a few clicks, individuals can explore a vast collection of resources across different disciplines, all free of charge. This accessibility empowers individuals to become lifelong learners, contributing to personal growth, professional development, and the advancement of society as a whole. So why not unlock a world of knowledge today? Start exploring the vast sea of free PDF books and manuals waiting to be discovered right at your fingertips.

FAQs About Perkins 3012 Workshop Manual Books

How do I know which eBook platform is the best for me? Finding the best eBook platform depends on your reading preferences and device compatibility. Research different platforms, read user reviews, and explore their features before making a choice. Are free eBooks of good quality? Yes, many reputable platforms offer high-quality free eBooks, including classics and public domain works. However, make sure to verify the source to ensure the eBook credibility. Can I read eBooks without an eReader? Absolutely! Most eBook platforms offer webbased readers or mobile apps that allow you to read eBooks on your computer, tablet, or smartphone. How do I avoid digital eye strain while reading eBooks? To prevent digital eye strain, take regular breaks, adjust the font size and background color, and ensure proper lighting while reading eBooks. What the advantage of interactive eBooks? Interactive eBooks incorporate multimedia elements, quizzes, and activities, enhancing the reader engagement and providing a more immersive learning experience. Perkins 3012 Workshop Manual is one of the best book in our library for free trial. We provide copy of Perkins 3012 Workshop Manual in digital format, so the resources that you find are reliable. There are also many Ebooks of related with Perkins 3012 Workshop Manual. Where to download Perkins 3012 Workshop Manual online for free? Are you looking for Perkins 3012 Workshop Manual PDF? This is definitely going to save you time and cash in something you should think about. If you trying to find then search around for online. Without a doubt there are numerous these available and many of them have the freedom. However without doubt you receive whatever you purchase. An alternate way to get ideas is always to check another Perkins 3012 Workshop Manual.

This method for see exactly what may be included and adopt these ideas to your book. This site will almost certainly help you save time and effort, money and stress. If you are looking for free books then you really should consider finding to assist you try this. Several of Perkins 3012 Workshop Manual are for sale to free while some are payable. If you arent sure if the books you would like to download works with for usage along with your computer, it is possible to download free trials. The free guides make it easy for someone to free access online library for download books to your device. You can get free download on free trial for lots of books categories. Our library is the biggest of these that have literally hundreds of thousands of different products categories represented. You will also see that there are specific sites catered to different product types or categories, brands or niches related with Perkins 3012 Workshop Manual. So depending on what exactly you are searching, you will be able to choose e books to suit your own need. Need to access completely for Campbell Biology Seventh Edition book? Access Ebook without any digging. And by having access to our ebook online or by storing it on your computer, you have convenient answers with Perkins 3012 Workshop Manual To get started finding Perkins 3012 Workshop Manual, you are right to find our website which has a comprehensive collection of books online. Our library is the biggest of these that have literally hundreds of thousands of different products represented. You will also see that there are specific sites catered to different categories or niches related with Perkins 3012 Workshop Manual So depending on what exactly you are searching, you will be able tochoose ebook to suit your own need. Thank you for reading Perkins 3012 Workshop Manual. Maybe you have knowledge that, people have search numerous times for their favorite readings like this Perkins 3012 Workshop Manual, but end up in harmful downloads. Rather than reading a good book with a cup of coffee in the afternoon, instead they juggled with some harmful bugs inside their laptop. Perkins 3012 Workshop Manual is available in our book collection an online access to it is set as public so you can download it instantly. Our digital library spans in multiple locations, allowing you to get the most less latency time to download any of our books like this one. Merely said, Perkins 3012 Workshop Manual is universally compatible with any devices to read.

Find Perkins 3012 Workshop Manual :

~~powerdrive 2 battery charger manual~~

~~powerstroke diesel manual~~

practical lifescirnce grade12 phototropism answer

~~power electronics by daniel hart solution manual~~

power learning sixth edition robert s

~~ppdb sma 1 kertosono 2015~~

~~power plant papers sample~~

practical grade 11 life science p3

power boss 6x sweeper manual

power to go 8

ppt on sf6 gas circuit breaker

powercommand 3100 service manual

practice 10 areas of circles and sectors

powerful moves l u s t 1 siren publishing classic

powermill user manual in

Perkins 3012 Workshop Manual :

Conversation in action by Rosset Cardenal, Edward Publisher. Editorial Stanley ; Publication date. May 20, 2001 ; ISBN-10. 8478733264 ; ISBN-13. 978-8478733262 ; Paperback, 176 pages. (PDF) Conversation in Action • Let's Talk Free Related PDFs · 1. Have you ever been to a zoo? · 2. Have you got a zoo in your home town? · 3. What sort of animals can you see in the zoo? · 4. Which are ... Conversation in action let's talk - 112p - copy | PDF Mar 21, 2017 — Questions on the scene • How many people can you see in the picture? • What's the woman doing? • What has she got in her hand? • What's she ...

Conversation in Action: Let's Talk # ... Conversation in Action: Let's Talk #conversationinaction #letstalk #speaking #englishconversations. Conversation In Action Lets Talk : English BooksLand Mar 24, 2020 — Bookreader Item Preview · First Edition 1997 · Conversation in Action · by Edvrard R. Rosaet · Editorial Stanley. Conversation in Action Let's Talk - Films | PDF 7 • Films. Glossary screen dubbed used to be stuntman growth perishable to crowd eager to risk goes blood.

Description of the scene:. Download Conversation in Action: Let's Talk 1 PDF Book This book provides the teacher with endless questions, besides interactive ideas; with this, an appropriate atmosphere is created for the students to express ...

Let's Talk! Facilitating Critical Conversations with Students It's a conversation that explores the relationships between identity and power, that traces the structures that privilege some at the expense of others, that ... Conversation Action by Rosset Edward Conversation in Action - Let's Talk (Spanish Edition). Rosset, Edward. ISBN 13: 9788478733262. Seller:

Iridium_Books. DH, SE, Spain. Seller Rating: ... International Safety Guide for Oil Tankers and Terminals ... This Sixth Edition encompasses the latest thinking on a range of topical issues including gas detection, the toxicity and the toxic effects of petroleum ... ISGOTT, 6th Edition International Safety Guide for Oil ... This sixth edition of ISGOTT has been revised and updated by industry experts to provide essential guidance on current technology, best practice and legislation ... ISGOTT (International Safety Guide for Oil Tankers... by ICS Book overview. Effective management of health, safety and environmental protection is critical to the tanker industry. This Sixth Edition of ISGOTT ... ISGOTT, 6th Edition 2020

(International Safety Guide for Oil ... This Sixth Edition of ISGOTT has been revised and updated by industry experts to provide essential guidance on current technology, best practice and legislation ... ISGOTT 6th Edition - International Safety Guide for Oil ... Sixth Edition are fully understood and are incorporated in safety management systems and procedures. This new edition covers a range of topical issues ... ISGOTT, 6th Edition 2020 (International Safety Guide for Oil ... ISGOTT, 6th Edition 2020 (International Safety Guide for Oil Tankers and Terminals ; Item Number. 305025374130 ; Type. Reference ; Author. ICS ; Accurate description. ISGOTT 6th edition (pdf free download) - YouTube ISGOTT - International Safety Guide for Oil Tankers and ... This new edition covers a range of topical issues including gas detection, the toxicity and the toxic effects of petroleum products (including benzene and ... International Safety Guide for Oil Tankers and Terminals ... International Safety Guide for Oil Tankers and Terminals (ISGOTT), Sixth Edition ... New in the sixth edition. This new edition covers a range of topical issues ... Isgott 6th edition free download Isgott 6th edition free download. Safe transfer operations depend on good ... This Sixth Edition encompasses the latest thinking on a range of topical issues ... Yamaha XCITY VP250 Owner's Manual [Page 39] Yamaha XCITY VP250 Manual Online: Periodic Maintenance And Adjustment. EAU17244 WARNING Turn off the engine when performing maintenance specified. Yamaha XCITY VP250 Owner's Manual View and Download Yamaha XCITY VP250 owner's manual online. XCITY VP250 scooter pdf manual download. User manual Yamaha XCITY250 (English - 78 pages) Manual. View the manual for the Yamaha XCITY250 here, for free. This manual comes under the category scooters and has been rated by 12 people with an ... Service Manual Yamaha Xcity 250 Pdf Page 1. Service Manual Yamaha Xcity. 250 Pdf. INTRODUCTION Service Manual. Yamaha Xcity 250 Pdf .pdf. Yamaha X-City 250 User's manuals (2) Add. Model, Year, Document, Language, Size, Pages. X-City 250, 2010, 2010 yamaha x city 250 vp250 user manual en.pdf, English, 3.73 MB, 82. X ... YAMAHA XCITY 250 2010 Service Manual (82 Pages) View, print and download for free: YAMAHA XCITY 250 2010 Service Manual, 82 Pages, PDF Size: 3.87 MB. Search in YAMAHA XCITY 250 2010 Service Manual online. Yamaha VP250 X-City Service Manual 2007 onwards ... Yamaha VP250 X-City. 100% High Resolution digital manual - not a scan. DIGITAL PDF MANUAL on CD. Yamaha X-MAX 250 Service Manual en | PDF | Screw Yamaha X-MAX 250 Service Manual En - Free ebook download as PDF File (.pdf), Text File (.txt) or view presentation slides online. Yamaha X-MAX 250 Service ... Yamaha Scooter Manuals All of the manual listed below are full factory service manuals with hundreds ... 2016 Yamaha VP250R / VP250RA XMax Scooter Series Repair and Maintenance Manual. Yamaha Xcity 250 free service manual - Turista 260 Sep 9, 2009 — Service manual xcity 250. Hi, Click here for the manual downloads. Hope this helps.Thanks! Please rate this free answer.