

Electrical power supply to the ECM

Test 2

System operation

This procedure tests whether correct voltage is supplied to the ECM by the equipment wiring. Use this procedure if a 168-02 Low or Intermittent Battery Power To ECM diagnostic codes is logged, or anytime you suspect the ECM is not receiving battery supply voltage.

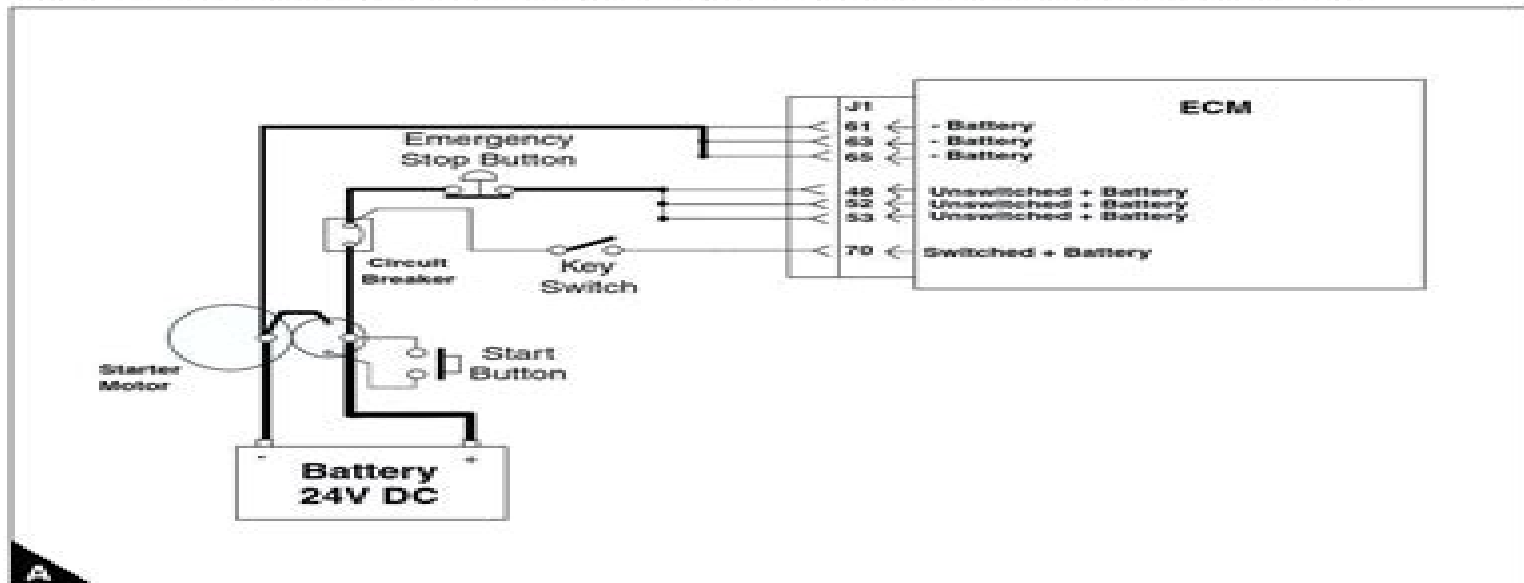
The ECM input at connector P1 terminal-70 (SWITCHED +BATTERY) receives battery voltage from the engine key switch supplied by the OEM. When the ECM detects battery voltage at this input, the ECM will power up.

When battery voltage is removed from this input, the ECM will power down after the engine has safely shut down.

The cause of an intermittent power supply to the ECM can occur on either the positive (UNSWITCHED +BATTERY) or negative (-BATTERY) side. Both sides are routed from the ECM to the battery. The three Unswitched +Battery connections should be routed through a dedicated protection circuit.

ECM Electrical power supply schematic

Note: Refer to the wiring diagram for full connection details. This wiring is supplied by the OEM.



Perkins Ecm Manual

Puja Mehta



Perkins Ecm Manual:

Thank you entirely much for downloading **Perkins Ecm Manual**. Maybe you have knowledge that, people have look numerous times for their favorite books once this Perkins Ecm Manual, but stop up in harmful downloads.

Rather than enjoying a good ebook in the manner of a cup of coffee in the afternoon, instead they juggled considering some harmful virus inside their computer. **Perkins Ecm Manual** is easy to use in our digital library an online access to it is set as public consequently you can download it instantly. Our digital library saves in combined countries, allowing you to acquire the most less latency time to download any of our books similar to this one. Merely said, the Perkins Ecm Manual is universally compatible in the manner of any devices to read.

<https://crm.avenza.com/files/book-search/fetch.php/project%20schedule%20template%20document%20carnegie%20mellon.pdf>

Table of Contents Perkins Ecm Manual

1. Understanding the eBook Perkins Ecm Manual
 - The Rise of Digital Reading Perkins Ecm Manual
 - Advantages of eBooks Over Traditional Books
2. Identifying Perkins Ecm Manual
 - Exploring Different Genres
 - Considering Fiction vs. Non-Fiction
 - Determining Your Reading Goals
3. Choosing the Right eBook Platform
 - Popular eBook Platforms
 - Features to Look for in an Perkins Ecm Manual
 - User-Friendly Interface
4. Exploring eBook Recommendations from Perkins Ecm Manual
 - Personalized Recommendations
 - Perkins Ecm Manual User Reviews and Ratings

- Perkins Ecm Manual and Bestseller Lists
- 5. Accessing Perkins Ecm Manual Free and Paid eBooks
 - Perkins Ecm Manual Public Domain eBooks
 - Perkins Ecm Manual eBook Subscription Services
 - Perkins Ecm Manual Budget-Friendly Options
- 6. Navigating Perkins Ecm Manual eBook Formats
 - ePub, PDF, MOBI, and More
 - Perkins Ecm Manual Compatibility with Devices
 - Perkins Ecm Manual Enhanced eBook Features
- 7. Enhancing Your Reading Experience
 - Adjustable Fonts and Text Sizes of Perkins Ecm Manual
 - Highlighting and Note-Taking Perkins Ecm Manual
 - Interactive Elements Perkins Ecm Manual
- 8. Staying Engaged with Perkins Ecm Manual
 - Joining Online Reading Communities
 - Participating in Virtual Book Clubs
 - Following Authors and Publishers Perkins Ecm Manual
- 9. Balancing eBooks and Physical Books Perkins Ecm Manual
 - Benefits of a Digital Library
 - Creating a Diverse Reading Collection Perkins Ecm Manual
- 10. Overcoming Reading Challenges
 - Dealing with Digital Eye Strain
 - Minimizing Distractions
 - Managing Screen Time
- 11. Cultivating a Reading Routine Perkins Ecm Manual
 - Setting Reading Goals Perkins Ecm Manual
 - Carving Out Dedicated Reading Time
- 12. Sourcing Reliable Information of Perkins Ecm Manual
 - Fact-Checking eBook Content of Perkins Ecm Manual
 - Distinguishing Credible Sources

13. Promoting Lifelong Learning
 - Utilizing eBooks for Skill Development
 - Exploring Educational eBooks
14. Embracing eBook Trends
 - Integration of Multimedia Elements
 - Interactive and Gamified eBooks

Perkins Ecm Manual Introduction

In today's digital age, the availability of Perkins Ecm Manual books and manuals for download has revolutionized the way we access information. Gone are the days of physically flipping through pages and carrying heavy textbooks or manuals. With just a few clicks, we can now access a wealth of knowledge from the comfort of our own homes or on the go. This article will explore the advantages of Perkins Ecm Manual books and manuals for download, along with some popular platforms that offer these resources. One of the significant advantages of Perkins Ecm Manual books and manuals for download is the cost-saving aspect. Traditional books and manuals can be costly, especially if you need to purchase several of them for educational or professional purposes. By accessing Perkins Ecm Manual versions, you eliminate the need to spend money on physical copies. This not only saves you money but also reduces the environmental impact associated with book production and transportation. Furthermore, Perkins Ecm Manual books and manuals for download are incredibly convenient. With just a computer or smartphone and an internet connection, you can access a vast library of resources on any subject imaginable. Whether you're a student looking for textbooks, a professional seeking industry-specific manuals, or someone interested in self-improvement, these digital resources provide an efficient and accessible means of acquiring knowledge. Moreover, PDF books and manuals offer a range of benefits compared to other digital formats. PDF files are designed to retain their formatting regardless of the device used to open them. This ensures that the content appears exactly as intended by the author, with no loss of formatting or missing graphics. Additionally, PDF files can be easily annotated, bookmarked, and searched for specific terms, making them highly practical for studying or referencing. When it comes to accessing Perkins Ecm Manual books and manuals, several platforms offer an extensive collection of resources. One such platform is Project Gutenberg, a nonprofit organization that provides over 60,000 free eBooks. These books are primarily in the public domain, meaning they can be freely distributed and downloaded. Project Gutenberg offers a wide range of classic literature, making it an excellent resource for literature enthusiasts. Another popular platform for Perkins Ecm Manual books and manuals is Open Library. Open Library is an initiative of the Internet Archive, a non-profit organization dedicated to digitizing cultural artifacts and making them accessible to the public. Open Library hosts millions of books, including both public domain works

and contemporary titles. It also allows users to borrow digital copies of certain books for a limited period, similar to a library lending system. Additionally, many universities and educational institutions have their own digital libraries that provide free access to PDF books and manuals. These libraries often offer academic texts, research papers, and technical manuals, making them invaluable resources for students and researchers. Some notable examples include MIT OpenCourseWare, which offers free access to course materials from the Massachusetts Institute of Technology, and the Digital Public Library of America, which provides a vast collection of digitized books and historical documents. In conclusion, Perkins Ecm Manual books and manuals for download have transformed the way we access information. They provide a cost-effective and convenient means of acquiring knowledge, offering the ability to access a vast library of resources at our fingertips. With platforms like Project Gutenberg, Open Library, and various digital libraries offered by educational institutions, we have access to an ever-expanding collection of books and manuals. Whether for educational, professional, or personal purposes, these digital resources serve as valuable tools for continuous learning and self-improvement. So why not take advantage of the vast world of Perkins Ecm Manual books and manuals for download and embark on your journey of knowledge?

FAQs About Perkins Ecm Manual Books

What is a Perkins Ecm Manual PDF? A PDF (Portable Document Format) is a file format developed by Adobe that preserves the layout and formatting of a document, regardless of the software, hardware, or operating system used to view or print it. **How do I create a Perkins Ecm Manual PDF?** There are several ways to create a PDF: Use software like Adobe Acrobat, Microsoft Word, or Google Docs, which often have built-in PDF creation tools. Print to PDF: Many applications and operating systems have a "Print to PDF" option that allows you to save a document as a PDF file instead of printing it on paper. Online converters: There are various online tools that can convert different file types to PDF. **How do I edit a Perkins Ecm Manual PDF?** Editing a PDF can be done with software like Adobe Acrobat, which allows direct editing of text, images, and other elements within the PDF. Some free tools, like PDFescape or Smallpdf, also offer basic editing capabilities. **How do I convert a Perkins Ecm Manual PDF to another file format?** There are multiple ways to convert a PDF to another format: Use online converters like Smallpdf, Zamzar, or Adobe Acrobats export feature to convert PDFs to formats like Word, Excel, JPEG, etc. Software like Adobe Acrobat, Microsoft Word, or other PDF editors may have options to export or save PDFs in different formats. **How do I password-protect a Perkins Ecm Manual PDF?** Most PDF editing software allows you to add password protection. In Adobe Acrobat, for instance, you can go to "File" -> "Properties" -> "Security" to set a password to restrict access or editing capabilities. Are there any free alternatives to Adobe Acrobat for working with PDFs? Yes, there are many free alternatives for working with PDFs, such as: LibreOffice: Offers PDF editing

features. PDFsam: Allows splitting, merging, and editing PDFs. Foxit Reader: Provides basic PDF viewing and editing capabilities. How do I compress a PDF file? You can use online tools like Smallpdf, ILovePDF, or desktop software like Adobe Acrobat to compress PDF files without significant quality loss. Compression reduces the file size, making it easier to share and download. Can I fill out forms in a PDF file? Yes, most PDF viewers/editors like Adobe Acrobat, Preview (on Mac), or various online tools allow you to fill out forms in PDF files by selecting text fields and entering information. Are there any restrictions when working with PDFs? Some PDFs might have restrictions set by their creator, such as password protection, editing restrictions, or print restrictions. Breaking these restrictions might require specific software or tools, which may or may not be legal depending on the circumstances and local laws.

Find Perkins Ecm Manual :

[project schedule template document carnegie mellon](#)

proscan universal remote manual

[promotional codes for boost mobile phone](#)

[programming ruby 19 the pragmatic programmers guide](#)

[property management companies palm beach county](#)

[promariner power sx 55 manual](#)

[project third edition workbook](#)

[property management companies eugene](#)

prophets and personal prophecy

[propagacion de plantas principios y practicas](#)

[property management jobs vaughan ontario](#)

[promoting investment in agriculture for increased production and productivity](#)

[projection color television service manual](#)

proscan parts user guide

[projector service manual](#)

Perkins Ecm Manual :

Tatterhood and Other Tales "Tatterhood," a Norwegian tale, is the first of 25 folk tales of brave, smart, and strong girls and women from collected, edited, and adapted from Africa, the ... Tatterhood and Other Tales by Ethel Johnston Phelps These

twenty-five traditional tales come from Asia, Europe, Africa, and the Americas. All the central characters are spirited females—decisive heroes of ... Tatterhood and other tales: Stories of magic and adventure “Tatterhood,” a Norwegian tale, is the first of 25 folk tales of brave, smart, and strong girls and women from collected, edited, and adapted from Africa, the ... Tatterhood and Other Tales: Stories of Magic and Adventure These twenty-five traditional tales come from Asia, Europe, Africa, and the Americas. All the central characters are spirited females--decisive heroes of ... Tatterhood and Other Tales book by Ethel Johnston Phelps These twenty-five traditional tales come from Asia, Europe, Africa, and the Americas. All the central characters are spirited females--decisive heroes of ... Tatterhood Jul 12, 2016 — In every story, Tatterhood highlights the power of folklore and fairytales to hold up a mirror to our own humanity, reflecting back a glittering ... Tatterhood and Other Tales - Softcover These twenty-five traditional tales come from Asia, Europe, Africa, and the Americas. All the central characters are spirited females—decisive heroes of ... Tatterhood and Other Tales by Ethel Johnston Phelps These twenty-five traditional tales come from Asia, Europe, Africa, and the Americas. All the central characters are spirited females—decisive heroes of ... Tatterhood and other tales : stories of magic and adventure A collection of traditional tales from Norway, England, China, and many other countries. Tatterhood and Other Tales These twenty-five traditional tales come from Asia, Europe, Africa, and the Americas. All the central characters are spirited females--decisive heroes of ... Visions across the Americas: Short Essays for ... This book presents 72 cross-cultural essays on such diverse themes as: Language and Culture; The Family; Americans and Immigrants; Racism, Sexism, and Ageism; ... By J. Sterling Warner Visions across the Americas: Short ... By J. Sterling Warner Visions across the Americas: Short Essays for Composition (7th Edition) [J. Sterling Warner] on Amazon.com. Short Essays for Composition - visions across the americas Edition: 7th edition ; ISBN-13: 978-1428263772 ; Format: Paperback/softback ; Publisher: CENGAGE Learning (3/12/2009) ; Copyright: 2010. VISIONS ACROSS THE AMERICAS: SHORT ESSAYS ... VISIONS ACROSS THE AMERICAS: SHORT ESSAYS FOR COMPOSITION (AVAILABLE TITLES CENGAGENOW) By J. Sterling Warner, Judith Hilliard ****BRAND NEW****. Judith Hilliard | Get Textbooks (3rd Edition) [(Visions Across the Americas: Short Essays for Composition)] [Author: J Sterling Warner] published on (July, 2012) by Editor-Judith Hilliard ... Short Essays for Composition , Seventh Edition VISIONS A CROSS THE A MERICAS Short Essays for Composition Seventh Edition J. Sterling Warner Evergreen Valley Colleg. Visions across the Americas: Short Essays for Composition ... Visions across the Americas: Short Essays for Composition (Available Titles CengageNOW) ... This edition first published: 2009-03. Terms of Sale. William Michael ... Visions across the Americas: Short Essays for ... Visions across the Americas: Short Essays for Composition Seventh Edition [7th ed.] Visions across the Americas: ... LPS Curriculum, Instruction and Assessment | Book List American Literature and Composition, 11,12, Visions Across the Americas: Short Essays for Com, Thompson Wadsworth, 978-0838406786, Yes. Reading/Language Arts ... Kindle on the App Store Read reviews, compare customer ratings, see screenshots and learn more

about Kindle. Download Kindle and enjoy it on your iPhone, iPad, iPod touch, ... Project Gutenberg: Free eBooks Project Gutenberg is a library of over 70,000 free eBooks. Choose among free epub and Kindle eBooks, download them or read them online. You will find the ... Libby App: Free ebooks & audiobooks from your library Read with Libby. Borrow ebooks, audiobooks, magazines, and more from your local library for free! Libby is the newer library reading app by OverDrive, ... Read books in the Books app on iPad Read books in the Books app on iPad. In the Books app , you can view the books you're currently reading, want to read, book collections, and more. Amazon Kindle - Apps on Google Play READ ANYTIME, ANYWHERE On the bus, on your break, in your bed—never be without something to read. The Kindle app puts millions of books, magazines, ... Focus: ChatGPT launches boom in AI-written e-books on ... Feb 21, 2023 — Focus: ChatGPT launches boom in AI-written e-books on Amazon. By Greg ... The book can be had for just \$1 on Amazon's Kindle e-book store. In ... e-books One of the most attractive features of e-books and audiobooks is the ease of downloading them. The large collection of e-books and audiobooks provided by the ... E-reader An e-reader, also called an e-book reader or e-book device, is a mobile electronic device that is designed primarily for the purpose of reading digital ... Readers absorb less on Kindles than on paper, study finds Aug 19, 2014 — Research suggests that recall of plot after using an e-reader is poorer than with traditional books. Kindle Create | Creating a professional quality eBook has ... Create beautiful books with Kindle Create for free. ... See your book as your readers do. Quickly review your book with built in Kindle Previewer and see how it ...