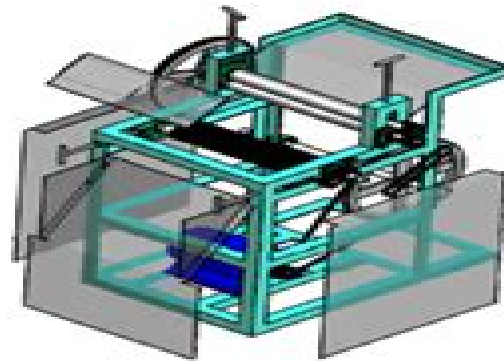




PERANCANGAN MESIN PEMIPIH DAN PEMOTONG ADONAN MIE

PROYEK AKHIR

Diajukan Kepada Fakultas Teknik Universitas Negeri Yogyakarta
Untuk Memenuhi Persyaratan Guna Memperoleh Gelar Ahli Madya
Teknik Mesin



Oleh :

Ari Saddam Tri Rahadi
09508131019

PROGRAM STUDI TEKNIK MESIN
FAKULTAS TEKNIK
UNIVERSITAS NEGERI YOGYAKARTA
2012

Perancangan Mesin Adonan Mie

M Walker



Perancangan Mesin Adonan Mie:

Recognizing the habit ways to get this books **Perancangan Mesin Adonan Mie** is additionally useful. You have remained in right site to start getting this info. acquire the Perancangan Mesin Adonan Mie associate that we have enough money here and check out the link.

You could buy guide Perancangan Mesin Adonan Mie or acquire it as soon as feasible. You could speedily download this Perancangan Mesin Adonan Mie after getting deal. So, like you require the books swiftly, you can straight acquire it. Its suitably enormously simple and correspondingly fats, isnt it? You have to favor to in this heavens

https://crm.avenza.com/public/uploaded-files/Documents/nec_dt700_quick_user_guide.pdf

Table of Contents Perancangan Mesin Adonan Mie

1. Understanding the eBook Perancangan Mesin Adonan Mie
 - The Rise of Digital Reading Perancangan Mesin Adonan Mie
 - Advantages of eBooks Over Traditional Books
2. Identifying Perancangan Mesin Adonan Mie
 - Exploring Different Genres
 - Considering Fiction vs. Non-Fiction
 - Determining Your Reading Goals
3. Choosing the Right eBook Platform
 - Popular eBook Platforms
 - Features to Look for in an Perancangan Mesin Adonan Mie
 - User-Friendly Interface
4. Exploring eBook Recommendations from Perancangan Mesin Adonan Mie
 - Personalized Recommendations
 - Perancangan Mesin Adonan Mie User Reviews and Ratings
 - Perancangan Mesin Adonan Mie and Bestseller Lists
5. Accessing Perancangan Mesin Adonan Mie Free and Paid eBooks

- Perancangan Mesin Adonan Mie Public Domain eBooks
 - Perancangan Mesin Adonan Mie eBook Subscription Services
 - Perancangan Mesin Adonan Mie Budget-Friendly Options
6. Navigating Perancangan Mesin Adonan Mie eBook Formats
 - ePub, PDF, MOBI, and More
 - Perancangan Mesin Adonan Mie Compatibility with Devices
 - Perancangan Mesin Adonan Mie Enhanced eBook Features
 7. Enhancing Your Reading Experience
 - Adjustable Fonts and Text Sizes of Perancangan Mesin Adonan Mie
 - Highlighting and Note-Taking Perancangan Mesin Adonan Mie
 - Interactive Elements Perancangan Mesin Adonan Mie
 8. Staying Engaged with Perancangan Mesin Adonan Mie
 - Joining Online Reading Communities
 - Participating in Virtual Book Clubs
 - Following Authors and Publishers Perancangan Mesin Adonan Mie
 9. Balancing eBooks and Physical Books Perancangan Mesin Adonan Mie
 - Benefits of a Digital Library
 - Creating a Diverse Reading Collection Perancangan Mesin Adonan Mie
 10. Overcoming Reading Challenges
 - Dealing with Digital Eye Strain
 - Minimizing Distractions
 - Managing Screen Time
 11. Cultivating a Reading Routine Perancangan Mesin Adonan Mie
 - Setting Reading Goals Perancangan Mesin Adonan Mie
 - Carving Out Dedicated Reading Time
 12. Sourcing Reliable Information of Perancangan Mesin Adonan Mie
 - Fact-Checking eBook Content of Perancangan Mesin Adonan Mie
 - Distinguishing Credible Sources
 13. Promoting Lifelong Learning
 - Utilizing eBooks for Skill Development

- Exploring Educational eBooks
14. Embracing eBook Trends
- Integration of Multimedia Elements
 - Interactive and Gamified eBooks

Perancangan Mesin Adonan Mie Introduction

Perancangan Mesin Adonan Mie Offers over 60,000 free eBooks, including many classics that are in the public domain. Open Library: Provides access to over 1 million free eBooks, including classic literature and contemporary works. Perancangan Mesin Adonan Mie Offers a vast collection of books, some of which are available for free as PDF downloads, particularly older books in the public domain. Perancangan Mesin Adonan Mie : This website hosts a vast collection of scientific articles, books, and textbooks. While it operates in a legal gray area due to copyright issues, its a popular resource for finding various publications. Internet Archive for Perancangan Mesin Adonan Mie : Has an extensive collection of digital content, including books, articles, videos, and more. It has a massive library of free downloadable books. Free-eBooks Perancangan Mesin Adonan Mie Offers a diverse range of free eBooks across various genres. Perancangan Mesin Adonan Mie Focuses mainly on educational books, textbooks, and business books. It offers free PDF downloads for educational purposes. Perancangan Mesin Adonan Mie Provides a large selection of free eBooks in different genres, which are available for download in various formats, including PDF. Finding specific Perancangan Mesin Adonan Mie, especially related to Perancangan Mesin Adonan Mie, might be challenging as theyre often artistic creations rather than practical blueprints. However, you can explore the following steps to search for or create your own Online Searches: Look for websites, forums, or blogs dedicated to Perancangan Mesin Adonan Mie, Sometimes enthusiasts share their designs or concepts in PDF format. Books and Magazines Some Perancangan Mesin Adonan Mie books or magazines might include. Look for these in online stores or libraries. Remember that while Perancangan Mesin Adonan Mie, sharing copyrighted material without permission is not legal. Always ensure youre either creating your own or obtaining them from legitimate sources that allow sharing and downloading. Library Check if your local library offers eBook lending services. Many libraries have digital catalogs where you can borrow Perancangan Mesin Adonan Mie eBooks for free, including popular titles. Online Retailers: Websites like Amazon, Google Books, or Apple Books often sell eBooks. Sometimes, authors or publishers offer promotions or free periods for certain books. Authors Website Occasionally, authors provide excerpts or short stories for free on their websites. While this might not be the Perancangan Mesin Adonan Mie full book , it can give you a taste of the authors writing style. Subscription Services Platforms like Kindle Unlimited or Scribd offer subscription-based access to a wide range of Perancangan Mesin Adonan Mie eBooks, including some popular titles.

FAQs About Perancangan Mesin Adonan Mie Books

1. Where can I buy Perancangan Mesin Adonan Mie books? Bookstores: Physical bookstores like Barnes & Noble, Waterstones, and independent local stores. Online Retailers: Amazon, Book Depository, and various online bookstores offer a wide range of books in physical and digital formats.
2. What are the different book formats available? Hardcover: Sturdy and durable, usually more expensive. Paperback: Cheaper, lighter, and more portable than hardcovers. E-books: Digital books available for e-readers like Kindle or software like Apple Books, Kindle, and Google Play Books.
3. How do I choose a Perancangan Mesin Adonan Mie book to read? Genres: Consider the genre you enjoy (fiction, non-fiction, mystery, sci-fi, etc.). Recommendations: Ask friends, join book clubs, or explore online reviews and recommendations. Author: If you like a particular author, you might enjoy more of their work.
4. How do I take care of Perancangan Mesin Adonan Mie books? Storage: Keep them away from direct sunlight and in a dry environment. Handling: Avoid folding pages, use bookmarks, and handle them with clean hands. Cleaning: Gently dust the covers and pages occasionally.
5. Can I borrow books without buying them? Public Libraries: Local libraries offer a wide range of books for borrowing. Book Swaps: Community book exchanges or online platforms where people exchange books.
6. How can I track my reading progress or manage my book collection? Book Tracking Apps: Goodreads, LibraryThing, and Book Catalogue are popular apps for tracking your reading progress and managing book collections. Spreadsheets: You can create your own spreadsheet to track books read, ratings, and other details.
7. What are Perancangan Mesin Adonan Mie audiobooks, and where can I find them? Audiobooks: Audio recordings of books, perfect for listening while commuting or multitasking. Platforms: Audible, LibriVox, and Google Play Books offer a wide selection of audiobooks.
8. How do I support authors or the book industry? Buy Books: Purchase books from authors or independent bookstores. Reviews: Leave reviews on platforms like Goodreads or Amazon. Promotion: Share your favorite books on social media or recommend them to friends.
9. Are there book clubs or reading communities I can join? Local Clubs: Check for local book clubs in libraries or community centers. Online Communities: Platforms like Goodreads have virtual book clubs and discussion groups.
10. Can I read Perancangan Mesin Adonan Mie books for free? Public Domain Books: Many classic books are available for free as they're in the public domain. Free E-books: Some websites offer free e-books legally, like Project Gutenberg or Open Library.

Find Perancangan Mesin Adonan Mie :

nec dt700 quick user guide

nec np v260 manual

navigating the highway to holiness

navy instrument flight manual

naxxramas achievement guide

navy seal combat manual

nec 81user guide

navsea electrical information guide

navy personnel manual article 1160

nccaom acupuncture study guide

ndeg la plage sous le soleil

nec neax 2000 ips user guide

nchemistry hl paper 3 tz0 markscheme

ndf name list recruitmet 2014

nec mt860 manual

Perancangan Mesin Adonan Mie :

kahramaa water quality parameters pdf scribd - Jan 08 2023

web kahramaa is responsible for the water quality until the customer connection point to ensure safety of water kahramaa set requirements specification for the end water quality produced by private water producer companies beside requirement to ensure performance and integrity of the treatment and its quality management 2

kahramaa qatar general electricity water corporation - Mar 10 2023

web kahramaa have stipulated regulations for conservation of electricity and water the regulations were stipulated for the following areas of a utility lighting motor loads air conditioners lighting control a c control thermal insulation for buildings low flow faucets aerators in public private buildings water efficient flush tanks

qatar general electricity water corporation    - Aug 15 2023

web kahramaa regulations electrical network code is considered the most important document for all stakeholders in the electricity sector from energy producers to large consumers connected to the electric transmission network from 11 400 kv

for safe delivery of the electrical network in the country

[text of kahramaa water network design guidelines general](#) - Jul 02 2022

web this pdf book contain kahramaa waterregulations document to download free best practices in water conservation kahramaa you need toregister mybooklibrary com download kahramaa water network design guidelines pdf mybooklibrary com best practices in water conservation kahramaa html

qatar general electricity water corporation [www.qatarwater.gov.qa](#) - Sep 04 2022

web kahramaa send electricity and water consumption bill to the customer s post box by the end of each month now you can get your consumption bill instantly by registering in bill preference service let us know how you want your bills delivered *new regulations by kahramaa to address challenges to dc system* - Oct 05 2022

web apr 13 2020 the district cooling services department at qatar general electricity and water corporation kahramaa to issue new law and regulations of district cooling dc system soon to overcome the

download pdf kahramaa regulations pdfslide net - Jun 01 2022

web regulations for the installation of electrical wiring electrical equipmentand air conditioning equipment doha february 2006 edition mm csc page 2 kahramaa customer services department installation section p o box 41 doha qatar tel 974 4 4628255 266 fax 974 4 4628294 email installation km com qa

qatar general electricity water corporation [www.qatarwater.gov.qa](#) - Dec 07 2022

web the transmission water network at kahramaa is now reaching a total length of 1 440 kilometers with the beginning of the functionality of mega reservoirs the distribution networks are reaching 8 380 kilometers and it is planned to be increased to reach 10 000 kilometers by the end of 2022

qatar general electricity water corporation [www.qatarwater.gov.qa](#) - Jul 14 2023

web law no 2 of 2021 organizing the collection of electricity and water tariffs 15 11 2021 click to download

water kahramaa regulation booklet old cosmc org - Aug 03 2022

web water kahramaa regulation booklet 3 3 eighth edition volume 1 has been fully updated in line with the 17th edition iee wiring regulations bs 7671 2008 and references the material covered to the wiring regs throughout the content meets the requirements of the 2330 level 2 certificate in electrotechnical technology from city guilds

water kahramaa regulation booklet secure4 khronos - Mar 30 2022

web may 17 2023 browse and read kahramaa water regulations kahramaa water regulations where you can find the kahramaa water regulations easily is it in the book store under the patronage of hh the emir sheikh tamim bin hamad al thani qatar general electricity amp water corporation kahramaa the water quality regulations

qatar electricity and water code kahramaa pdf mep work - May 12 2023

web dec 5 2022 both codes are from kahramaa company of water and electricity distribution kahramaa regulations for design and installation of water supply and electrical wiring for building are illustrated in these two codes download also national standard plumbing code pdf qatar electricity and water code kahramaa pdf

kahramaa electrical regulation engineering learners - Feb 26 2022

web jan 13 2023 the kahramaa electrical regulations cover a wide range of topics including 1 electrical installation the regulations specify the requirements for the design installation and maintenance of electrical systems in buildings and other structures 2

drinking water quality in qatar km com qa - Nov 06 2022

web international water quality standards water provided to customers is subject to strict regular control and monitoring on daily monthly and annual bases according to kahramaa plan emanated from who guidelines 2004 kahramaa collects around 10 000 water samples annually from different parts of its water supply system

emir of the state of qatar km com qa - Jun 13 2023

web the regulation presented in this document form part of the requirements for water services connection and installation the purpose of this regulation is to prevent misuses waste undue consumption or erroneous measurement of water and most importantly to prevent leakage of potable water

waterkahramaaregulationbooklet legacy bealinternational - Dec 27 2021

web water kahramaa regulation booklet web fsa gov kh water kahramaa regulation booklet the water quality regulations rsb gov ae april 22nd 2018 the water quality let mymentalhealthrisk creighton waterkahramaaregulation let 1 1 downloaded from mymentalhealthrisk creighton edu on by guest

water kahramaa regulation let yvc moeys gov kh - Jan 28 2022

web sep 27 2022 water kahramaa regulation let 1 8 map index pdf water kahramaa regulation let getting the books water kahramaa regulation let now is not type of challenging means you could not and no one else going like book growth or library or borrowing from your links to entrance them this is an unquestionably simple means to

kahramaa wikipedia - Feb 09 2023

web kahramaa qatar general electricity and water corporation was established in july 2000 to regulate and maintain the supply of electricity and water for the population of qatar since inception kahramaa has operated as an independent corporation on a commercial basis with a total capital of eight billion qatari riyals

water kahramaa regulation let old restorativejustice org - Apr 30 2022

web this water kahramaa regulation let as one of the most committed sellers here will completely be in the course of the best options to review residential end uses of water peter w mayer 1999 the american water works association research

foundation awwarf and 22 municipalities water utilities water purveyors water districts and
overview on kahramaa drinking water quality requirements - Apr 11 2023

web quality management requirements set by kahramaa for water producers to adhere with such as water safety plan
implementation intake water monitoring and etc 2 water quality requirements at entry point to property these are the water
quality targets in distribution system until the entry points of kahramaa s water supply system to
mensuration practice questions practice questions - Apr 10 2023

web icse class 9 maths mensuration i area and perimeter of triangles area of triangle area and perimeter of quadrilaterals
area of quadrilaterals areas of combination of figures
mensuration volumes areas examples practice questions - Aug 02 2022

web sep 9 2023 1 proper assessment of problem solving skills it takes months to prepare the mensuration chapters in fact
you have been studying the formulas and using them to
mensuration questions meaning need and faqs - Jan 27 2022

mensuration maths edurev class 9 question - Mar 29 2022

web some basic measurements are length or distance weight time area volume perimeter temperature learn more about
measurement in maths here measurement questions

mensuration mcq free pdf objective question answer for - Feb 25 2022

ml aggarwal class 9 solutions for icse maths - Mar 09 2023

web mensuration class 9 mcq questions with answers mcq mojo access time menu quiz web stories cbse arrow drop down
mcq questions for cbse class 12 with
mensuration for class 9 - Feb 08 2023

web mensuration is the branch of math that deals with the problems of finding the areas of figures like the area of a triangle
polygons etc in the following section we have

mensuration questions with solutions byju s - Aug 14 2023

web class 9 foundation 12 units 61 skills unit 1 rational numbers unit 2 exponents and powers unit 3 linear equations in one
variable unit 4 algebraic expressions unit 5

mesuration class 9 mathematics exercise 7 1 khullakitab - Dec 06 2022

web sep 6 2023 vedantu s selina concise mathematics solution for class 9 chapter 16 mensuration includes answers to all of
the problems included in the selina concise

[ncert solutions for class 9 maths updated for 2023 24 exam](#) - May 11 2023

web free question bank for 9th class mathematics mensuration

[mensuration questions and answers for class 9 math theorems](#) - Dec 26 2021

[icse class 9 maths mensuration i topperlearning](#) - Oct 04 2022

web question description mensuration maths for class 9 2023 is part of class 9 preparation the question and answers have been prepared according to the class 9 exam

concise mathematics class 9 icse solutions for chapter 16 - May 31 2022

web important question chapter 1 number system important question chapter 2 polynomial important questions chapter 3 coordinate geometry important

ml aggarwal solutions for class 9 maths chapter 16 - Jun 12 2023

web therefore $h = \frac{205.84249}{m}$ here length $l = 30m$ breadth $b = 2m$ height $h = 6m$ area of four walls and ceiling $a = 2hl + b^2$
 $630 = 2 \times 30 \times 2 + b^2$

[chapter mensuration maths formulas for class 9 pw](#) - Jul 01 2022

web mensuration questions and answers for class 9 mensuration questions with answers are available for students at byju s the problems have been solved in an math theorems

[class 9 maths mcqs mcqs on class 9 maths chapter wise](#) - Oct 24 2021

measurement questions measurement questions with solutions - Sep 22 2021

mensuration class 9 foundation math khan academy - Jul 13 2023

web mensuration is the branch of geometry that deals with the measurement of area length or volume in 2d and 3d shapes the 2d shapes can be drawn in a plane like square

[ncert solutions for class 9 maths updated for 2021](#) - Jan 07 2023

web jul 11 2022 16 45 ist mensuration the branch of mathematics that concerns with measurement of lengths areas and volume of plane figure and solid figures is called

[mensuration class 9 mcq questions with answers quiz](#) - Sep 03 2022

web sep 12 2023 mensuration mcq quiz objective question with answer for mensuration download free pdf last updated on sep 4 2023 mensuration mcqs quiz for high

[cbse important questions for class 9 maths cbse class 9](#) - Nov 24 2021

question bank for 9th class mathematics mensuration - Nov 05 2022

web jan 9 2023 ml aggarwal mensuration mcqs class 9 icse maths apc understanding solutions solutions of mcqs this post is the solutions of ml aggarwal chapter 16

ml aggarwal mensuration mcqs class 9 icse maths solutions - Apr 29 2022

web class 9 maths mcqs multiple choice questions are provided here chapter wise from chapter 1 to chapter 15 with answers based on the ncert curriculum and as per the

forever fifty and other negotiations by judith viorst publishers - Jun 18 2023

web buy this book forever fifty and other negotiations judith viorst simon schuster 12 95 64pp isbn 978 0 671 64329 4

forever fifty and other negotiations amazon co uk viorst judith - Dec 12 2022

web buy forever fifty and other negotiations first edition by viorst judith isbn 9780671643294 from amazon s book store everyday low prices and free delivery on eligible orders

forever fifty and other negotiations viorst judith free - Sep 21 2023

web an icon used to represent a menu that can be toggled by interacting with this icon

forever fifty and other negotiations by judith viorst hardcover - Apr 16 2023

web sep 3 1996 now judith viorst looks at what it s like to be gulp fifty writing with the warmth and

forever fifty and other negotiations google play - Jan 13 2023

web forever fifty and other negotiations ebook written by judith viorst read this book using google play books app on your pc android ios devices download for offline reading highlight bookmark or take notes while you

forever fifty book by judith viorst simon schuster - Jul 07 2022

web excerpt about the author product details resources and downloads forever fifty and other negotiations part of judith viorst s decades by judith viorst hardcover list price 17 00 price may vary by retailer

forever fifty and other negotiations by judith viorst illustrated - Nov 11 2022

web amusing poems written about various aspects of being fifty years old forever fifty and other negotiations by judith viorst illustrated by john alcorn find in nlb library

forever fifty and other negotiations - Mar 03 2022

web judith viorst is known and loved by readers of all ages for children s books such as alexander and the terrible horrible no good very bad day nonfiction titles including the bestseller necessary losses and her collections of humorous poetry which make perfect gifts for birthdays mother s day graduation christmas chanukah

forever fifty and other negotiations judith viorst author forever - Apr 04 2022

web jan 1 1989 forever fifty and other negotiations judith viorst author forever fifty and other negotiations bargain price

1989 hardcover judith viorst author forever fifty and other negotiations john alcorn on amazon com free shipping on qualifying offers

forever fifty and other negotiations by judith viorst goodreads - Oct 22 2023

web forever fifty and other negotiations judith viorst 3 69 199 ratings34 reviews her bestselling verse has unerringly captured our follies and our foibles over the decades now judith viorst in a witty and beautifuly illustrated

forever fifty and other negotiations judith viorst google books - Mar 15 2023

web now judith viorst looks at what it s like to be gulp fifty writing with the warmth and authenticity that have become her trademarks viorst once again demonstrates her uncanny ability to

forever fifty and other negotiations judith viorst s decades - Sep 09 2022

web oct 21 2014 forever fifty and other negotiations judith viorst s decades kindle edition by viorst judith download it once and read it on your kindle device pc phones or tablets use features like bookmarks note taking and highlighting while reading

forever fifty and other negotiations judith viorst s decades

forever fifty and other negotiations judith viorst google books - May 17 2023

web her bestselling verse has unerringly captured our follies and our foibles over the decades now judith viorst in a witty and beautifully illustrated new book of poems looks at what it is

forever fifty and other negotiations by judith viorst alibris - May 05 2022

web buy forever fifty and other negotiations by judith viorst online at alibris we have new and used copies available in 3 editions starting at 0 99 shop now

forever fifty and other negotiations judith viorst google books - Feb 14 2023

web her funny compassionate poems shed a reassuring light on the fine art of aging and will delight anyone who is now or forever fifty

forever fifty and other negotiations judith viorst s decades - Oct 10 2022

web buy forever fifty and other negotiations judith viorst s decades illustrated by viorst judith isbn 9780684832371 from amazon s book store everyday low prices and free delivery on eligible orders

forever fifty and other negotiations judith viorst abebooks - Jun 06 2022

web judith viorst is as gentle a guide as you can find into the land of the 50s you ll enjoy your birthday and the decade more if you read and draw upon her wit and wisdom synopsis may belong to another edition of this title buy new learn more about this copy us 9 89 convert currency shipping free within u s a destination rates speeds

forever fifty and other negotiations viorst judith amazon sg - Aug 20 2023

web hello select your address all

forever fifty and other negotiations judith viorst amazon sg - Jul 19 2023

web hello select your address all

forever fifty and other negotiations viorst judith - Aug 08 2022

web forever fifty and other negotiations viorst judith 9780684832371 books amazon ca