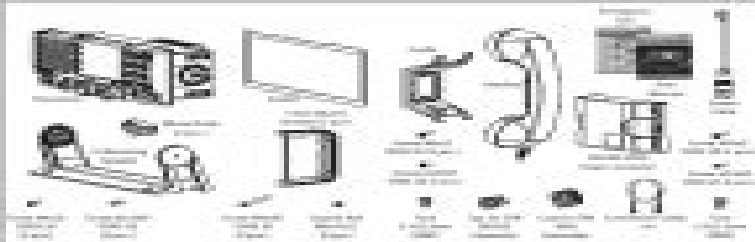


SAILOR 6222 VHF DSC

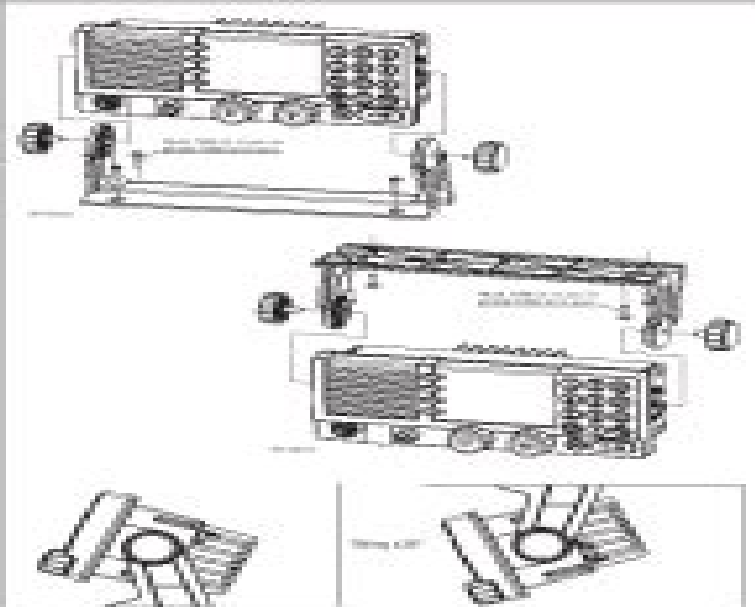
What's in the box?



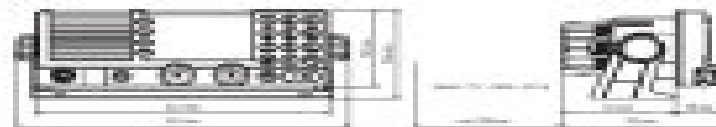
What do I need to fit it?



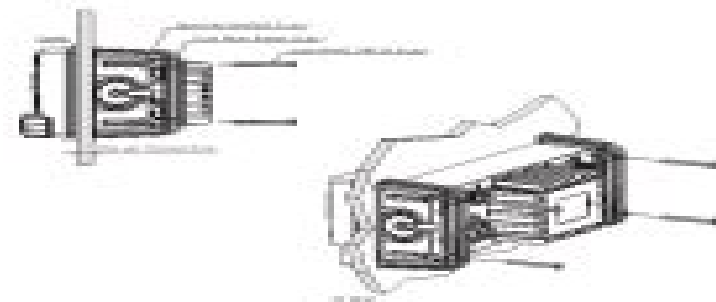
How to install the VHF on desktop and overhead



Dimensions for the SAILOR 6222 VHF DSC

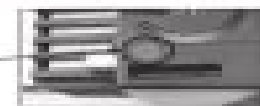


How to install the VHF flush mount

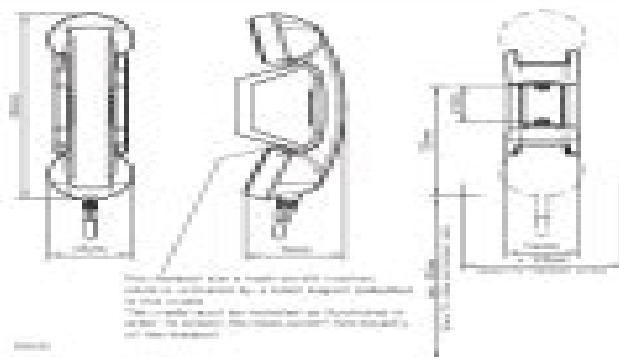


Very important information!

Do not remove the membrane.
If you remove the membrane the radio will not be waterproof.



How to install the handset



Sailor 6222 Operation Manual

Minjie Lin



Sailor 6222 Operation Manual:

Philippine Standard Occupational Classification ,1992 **Paperbound Books in Print** ,1982 Bibliography of Nautical Books Alan Obin,2000-02 This is the 15th annual edition of the Bibliography of Nautical Books a reference guide to over 14 000 nautical publications It deals specifically with the year 2000 University of California Union Catalog of Monographs Cataloged by the Nine Campuses from 1963 Through 1967: Authors & titles University of California (System). Institute of Library Research,University of California, Berkeley,1972 **Operator's Manual** United States. Department of the Army,United States. Navy Department,1993 Operator's Manual ,1990 **Operator's Manual** ,1990 **Operator's Manual** ,1990 **Operator's Manual** ,1990 **Operator's Manual** ,1981 **PS-69** ,1981 **The Riley Two-Point-Six operation manual** Riley Motors Limited,1957 The Riley two-point-six operation Manual Riley Motors, Ltd,1958

When somebody should go to the ebook stores, search establishment by shop, shelf by shelf, it is in fact problematic. This is why we provide the book compilations in this website. It will totally ease you to look guide **Sailor 6222 Operation Manual** as you such as.

By searching the title, publisher, or authors of guide you in reality want, you can discover them rapidly. In the house, workplace, or perhaps in your method can be all best area within net connections. If you aspiration to download and install the Sailor 6222 Operation Manual, it is definitely simple then, past currently we extend the belong to to buy and make bargains to download and install Sailor 6222 Operation Manual hence simple!

<https://crm.avenza.com/public/virtual-library/default.aspx/o%20level%20zimsec%202013%20november%20history%20paper%201.pdf>

Table of Contents Sailor 6222 Operation Manual

1. Understanding the eBook Sailor 6222 Operation Manual
 - The Rise of Digital Reading Sailor 6222 Operation Manual
 - Advantages of eBooks Over Traditional Books
2. Identifying Sailor 6222 Operation Manual
 - Exploring Different Genres
 - Considering Fiction vs. Non-Fiction
 - Determining Your Reading Goals
3. Choosing the Right eBook Platform
 - Popular eBook Platforms
 - Features to Look for in an Sailor 6222 Operation Manual
 - User-Friendly Interface
4. Exploring eBook Recommendations from Sailor 6222 Operation Manual
 - Personalized Recommendations
 - Sailor 6222 Operation Manual User Reviews and Ratings

- Sailor 6222 Operation Manual and Bestseller Lists
- 5. Accessing Sailor 6222 Operation Manual Free and Paid eBooks
 - Sailor 6222 Operation Manual Public Domain eBooks
 - Sailor 6222 Operation Manual eBook Subscription Services
 - Sailor 6222 Operation Manual Budget-Friendly Options
- 6. Navigating Sailor 6222 Operation Manual eBook Formats
 - ePub, PDF, MOBI, and More
 - Sailor 6222 Operation Manual Compatibility with Devices
 - Sailor 6222 Operation Manual Enhanced eBook Features
- 7. Enhancing Your Reading Experience
 - Adjustable Fonts and Text Sizes of Sailor 6222 Operation Manual
 - Highlighting and Note-Taking Sailor 6222 Operation Manual
 - Interactive Elements Sailor 6222 Operation Manual
- 8. Staying Engaged with Sailor 6222 Operation Manual
 - Joining Online Reading Communities
 - Participating in Virtual Book Clubs
 - Following Authors and Publishers Sailor 6222 Operation Manual
- 9. Balancing eBooks and Physical Books Sailor 6222 Operation Manual
 - Benefits of a Digital Library
 - Creating a Diverse Reading Collection Sailor 6222 Operation Manual
- 10. Overcoming Reading Challenges
 - Dealing with Digital Eye Strain
 - Minimizing Distractions
 - Managing Screen Time
- 11. Cultivating a Reading Routine Sailor 6222 Operation Manual
 - Setting Reading Goals Sailor 6222 Operation Manual
 - Carving Out Dedicated Reading Time
- 12. Sourcing Reliable Information of Sailor 6222 Operation Manual
 - Fact-Checking eBook Content of Sailor 6222 Operation Manual
 - Distinguishing Credible Sources

13. Promoting Lifelong Learning
 - Utilizing eBooks for Skill Development
 - Exploring Educational eBooks
14. Embracing eBook Trends
 - Integration of Multimedia Elements
 - Interactive and Gamified eBooks

Sailor 6222 Operation Manual Introduction

Sailor 6222 Operation Manual Offers over 60,000 free eBooks, including many classics that are in the public domain. Open Library: Provides access to over 1 million free eBooks, including classic literature and contemporary works. Sailor 6222 Operation Manual Offers a vast collection of books, some of which are available for free as PDF downloads, particularly older books in the public domain. Sailor 6222 Operation Manual : This website hosts a vast collection of scientific articles, books, and textbooks. While it operates in a legal gray area due to copyright issues, its a popular resource for finding various publications. Internet Archive for Sailor 6222 Operation Manual : Has an extensive collection of digital content, including books, articles, videos, and more. It has a massive library of free downloadable books. Free-eBooks Sailor 6222 Operation Manual Offers a diverse range of free eBooks across various genres. Sailor 6222 Operation Manual Focuses mainly on educational books, textbooks, and business books. It offers free PDF downloads for educational purposes. Sailor 6222 Operation Manual Provides a large selection of free eBooks in different genres, which are available for download in various formats, including PDF. Finding specific Sailor 6222 Operation Manual, especially related to Sailor 6222 Operation Manual, might be challenging as theyre often artistic creations rather than practical blueprints. However, you can explore the following steps to search for or create your own Online Searches: Look for websites, forums, or blogs dedicated to Sailor 6222 Operation Manual, Sometimes enthusiasts share their designs or concepts in PDF format. Books and Magazines Some Sailor 6222 Operation Manual books or magazines might include. Look for these in online stores or libraries. Remember that while Sailor 6222 Operation Manual, sharing copyrighted material without permission is not legal. Always ensure youre either creating your own or obtaining them from legitimate sources that allow sharing and downloading. Library Check if your local library offers eBook lending services. Many libraries have digital catalogs where you can borrow Sailor 6222 Operation Manual eBooks for free, including popular titles. Online Retailers: Websites like Amazon, Google Books, or Apple Books often sell eBooks. Sometimes, authors or publishers offer promotions or free periods for certain books. Authors Website Occasionally, authors provide excerpts or short stories for free on their websites. While this might not be the Sailor 6222 Operation Manual full book , it can give you a taste of the authors writing style. Subscription Services Platforms like Kindle

Unlimited or Scribd offer subscription-based access to a wide range of Sailor 6222 Operation Manual eBooks, including some popular titles.

FAQs About Sailor 6222 Operation Manual Books

How do I know which eBook platform is the best for me? Finding the best eBook platform depends on your reading preferences and device compatibility. Research different platforms, read user reviews, and explore their features before making a choice. Are free eBooks of good quality? Yes, many reputable platforms offer high-quality free eBooks, including classics and public domain works. However, make sure to verify the source to ensure the eBook credibility. Can I read eBooks without an eReader? Absolutely! Most eBook platforms offer webbased readers or mobile apps that allow you to read eBooks on your computer, tablet, or smartphone. How do I avoid digital eye strain while reading eBooks? To prevent digital eye strain, take regular breaks, adjust the font size and background color, and ensure proper lighting while reading eBooks. What the advantage of interactive eBooks? Interactive eBooks incorporate multimedia elements, quizzes, and activities, enhancing the reader engagement and providing a more immersive learning experience. Sailor 6222 Operation Manual is one of the best book in our library for free trial. We provide copy of Sailor 6222 Operation Manual in digital format, so the resources that you find are reliable. There are also many Ebooks of related with Sailor 6222 Operation Manual. Where to download Sailor 6222 Operation Manual online for free? Are you looking for Sailor 6222 Operation Manual PDF? This is definitely going to save you time and cash in something you should think about. If you trying to find then search around for online. Without a doubt there are numerous these available and many of them have the freedom. However without doubt you receive whatever you purchase. An alternate way to get ideas is always to check another Sailor 6222 Operation Manual. This method for see exactly what may be included and adopt these ideas to your book. This site will almost certainly help you save time and effort, money and stress. If you are looking for free books then you really should consider finding to assist you try this. Several of Sailor 6222 Operation Manual are for sale to free while some are payable. If you arent sure if the books you would like to download works with for usage along with your computer, it is possible to download free trials. The free guides make it easy for someone to free access online library for download books to your device. You can get free download on free trial for lots of books categories. Our library is the biggest of these that have literally hundreds of thousands of different products categories represented. You will also see that there are specific sites catered to different product types or categories, brands or niches related with Sailor 6222 Operation Manual. So depending on what exactly you are searching, you will be able to choose e books to suit your own need. Need to access completely for Campbell Biology Seventh Edition book? Access Ebook without any digging. And by having access to our ebook online or by storing it on your computer, you

have convenient answers with Sailor 6222 Operation Manual To get started finding Sailor 6222 Operation Manual, you are right to find our website which has a comprehensive collection of books online. Our library is the biggest of these that have literally hundreds of thousands of different products represented. You will also see that there are specific sites catered to different categories or niches related with Sailor 6222 Operation Manual So depending on what exactly you are searching, you will be able to choose ebook to suit your own need. Thank you for reading Sailor 6222 Operation Manual. Maybe you have knowledge that, people have search numerous times for their favorite readings like this Sailor 6222 Operation Manual, but end up in harmful downloads. Rather than reading a good book with a cup of coffee in the afternoon, instead they juggled with some harmful bugs inside their laptop. Sailor 6222 Operation Manual is available in our book collection an online access to it is set as public so you can download it instantly. Our digital library spans in multiple locations, allowing you to get the most less latency time to download any of our books like this one. Merely said, Sailor 6222 Operation Manual is universally compatible with any devices to read.

Find Sailor 6222 Operation Manual :

o level zimsec 2013 november history paper 1

[ocr exam papers chemistry](#)

[ocr bb2 b3 past papers](#)

[obstetrics gynecology journal](#)

[ocr f21june 3013 paper](#)

nys trooper prep guide

[o2 atom pdas and handhelds owners manual](#)

nys testing guide 22

[ocr chemistry unofficial mark scheme may 2013](#)

[nyp basic medication administration exam questions rn](#)

[nys private investigator exam study guide](#)

[obviously i anticipated this english edition](#)

[ocean studies investigations manual 2015](#)

ocr chemistry f321 may2014 question paper

obs and gynae sho guide

Sailor 6222 Operation Manual :**los tudor la voluntad del rey by michael hirst goodreads** - Feb 25 2023

web apr 15 2008 la voluntad del rey michael hirst 3 65 150 ratings 8 reviews tras la muerte de ana bolena enrique viii anuncia su boda con jane seymour con la que buscará su primer hijo varón y futuro heredero

la voluntad del rey grupo litworld amazon es libros - Mar 29 2023

web kathleen y king son los protagonistas de esta interesante historia que en un principio no creí que funcionara por la relación abierta que el tenía con su ex pareja por los secuelas que e la arrastraba de de su anterior relación de maltrato psicológico y su miedo al compromiso y que le sucediera lo mismo pero me equivoque porque el amor de

descargar pdf la voluntad del rey eleanor rigby gratis - Feb 13 2022

web título la voluntad del rey clasificación 4 1 de 5 estrellas 177 valoraciones isbn 10 1697189784 isbn 13 9781697189780 idiomae español formato ebook pdf epub kindle audio html y mobi dispositivos compatibles android ios pc y amazon kindle opiniones de las lectoras sobre la voluntad del rey de eleanor rigby

pdf los tudor la voluntad del rey spanish edition download - May 19 2022

web sep 12 2023 download los tudor la voluntad del rey spanish edition by michael hirst elizabeth massie in pdf format complete free brief summary of book los tudor la voluntad del rey spanish edition by michael hirst elizabeth massie here is a quick description and cover image of book los tudor

la voluntad del rey spanish edition paperback amazon - Dec 26 2022

web en hello sign in account lists returns orders cart all best sellers today s deals prime customer service books electronics toys games home vouchers new releases computers gift cards beauty personal care health personal care video games sports outdoors baby pet supplies home improvement automotive gift ideas fashion sell

la voluntad del rey spanish edition paperback - Jan 27 2023

web oct 2 2019 la voluntad del rey spanish edition rigby eleanor edition litworld beltrán olga on amazon com free shipping on qualifying offers la voluntad del rey spanish edition

los tudor la voluntad del rey elizabeth massie casa del - Sep 22 2022

web sinopsis de los tudor la voluntad del rey en este tercer volumen de los tres que componen la serie con ana bolena ya muerta el rey se enfrenta a la rebelión de los barones en su reino y a la tragedia más absoluta cuando su nueva esposa jane muere después de dar a luz a su único heredero varón

la voluntad del rey eleanor rigby pdf scribd - Aug 02 2023

web king solo se rio y caminó con la parsimonia característica de un hombre que se cree el rey del mundo nunca mejor dicho hasta el salón yo estaba entre ruborizada furiosa y repentinamente caliente su piel ardía como una hoguera y tenía a un

palmo de mi cara ese culo que quería patear

la voluntad del rey leer libro online descargar dónde - Apr 17 2022

web literatura y ficcion ficcion historica autoayuda desarrollo personal erotica años 2010 2020 dónde encontrarlo ver todos los libros de un rey en el esclavo de sus deseos para leer y descargar el libro la voluntad del rey puedes hacerlo gratis aquí

la voluntad del rey eleanor rigby casa del libro - Jul 01 2023

web el libro la voluntad del rey de eleanor rigby en casa del libro descubre las mejores ofertas y envíos gratis

la voluntad del rey paperback 2 october 2019 - Sep 03 2023

web la voluntad del rey rigby eleanor edition litworld beltrán olga on amazon com au free shipping on eligible orders la voluntad del rey

la voluntad del rey eleanor rigby alibrate - Nov 24 2022

web sinopsis de la voluntad del rey la exitosa novelista erótica kathleen priest lleva tres años perdida en el mapa y nadie sabe por qué lo que antes era un derroche de inspiración se ha convertido en las cenizas de una fama ahora desconocida todo a raíz de un incidente que le impidió volver a teclear una sola palabra así como renegar de

la voluntad del rey dublín 1 eleanor rigby - Aug 22 2022

web sinopsis de la voluntad del rey dublín 1 libro valeria se ve obligada a entrar en el mundo de los vivos eso no le pertenece porque se siente más cómoda en la morgue esculpiendo cadáveres persiguiendo a sus asesinos en busca de la reconciliación con su madre que estaba en internados desde los ocho años se convierte en inquilino

la voluntad del rey eleanor rigby casa del libro - Jul 21 2022

web libro la voluntad del rey del autor eleanor rigby al mejor precio nuevo o segunda mano en casa del libro colombia

la voluntad del rey 2023 cyberlab sutd edu sg - Oct 24 2022

web gobierno de los regulares de la america ajustado religiosamente á la voluntad del rey su autor el p fr pedro joseph parras mar 28 2022 gobierno de los regulares de la américa dec 25 2021 gobierno de los regulares de la américa feb 12 2021

historia de las guerras civiles de francia que traduxò basilio varen de soto

la voluntad del rey ministerios kenneth copeland - Jun 19 2022

web aug 10 2020 mientras leía las palabras allí escritas se consternó al descubrir la voluntad de la reina en la cual ordenaba que en honor al fiel servicio de su dama de compañía ella fuera ricamente provista de una casa de sirvientes ropa y comida por el resto de su vida

la voluntad del rey eleanor rigby lecturalia - May 31 2023

web la voluntad del rey eleanor rigby editorial group edition world año publicación 2019 temas romántica resumen y sinopsis de la voluntad del rey de eleanor rigby la exitosa novelista erótica kathleen priest lleva tres

[amazon com la voluntad del rey](#) - Apr 29 2023

web paperback 23 99 23 99 free delivery on 25 shipped by amazon usually ships within 2 to 3 days gobierno de los regulares de la américa ajustado religiosamente á la

descargar la voluntad del rey pdf y epub al dia libros - Mar 17 2022

web la voluntad del rey autor eleanor rigby fecha 18 09 2019 género romántica editorial 978 84 17832 66 7 edición 1 páginas 523 asin isbn b07y35z6ly idioma español opción 02 opción 03 anuncios compartir tweet temas bajar la voluntad del rey epub descargar la voluntad del rey pdf libro la voluntad del re

[la voluntad del rey dublín 1 by eleanor rigby goodreads](#) - Oct 04 2023

web la exitosa novelista erótica kathleen priest lleva tres años perdida en el mapa y nadie sabe por qué lo que antes era un derroche de inspiración se ha convertido en las cenizas de una fama ahora desconocida todo a raíz de un incidente que le impidió volver a teclear una sola palabra así como renegar de las relaciones y el amor

final exam fluid mechanics 2012 amee 202 copy uniport edu - Nov 26 2021

final exam fluid mechanics 2012 amee 202 2022 - Jun 02 2022

web web4 final exam fluid mechanics 2012 amee 202 2020 11 26 dynamics in a sensible and logical fashion providing a great base for further learning official course

final exam fluid mechanics 2012 amee 202 2022 - Dec 08 2022

web fluid mechanics exam file final exam fluid mechanics 2012 amee 202 downloaded from iriss ac uk frederick vaughan fluid mechanics prentice hall covering

[final exam fluid mechanics 2012 amee 202 iriss ac](#) - Nov 07 2022

web final exam fluid mechanics 2012 amee 202 copy webschweizer 2012 12 06 this multi authored volume provides a comprehensive and in depth account of the highly

[fluid mechanics jun main exam 2012 flme102 studocu](#) - Sep 05 2022

web course code cv1012 course description learning objective to introduce the basic principles of fluid mechanics and the concepts of dimensional analysis and similitude

final exam fluid mechanics 2012 amee 202 copy wp publish - Oct 06 2022

web fluid mechanics jun main exam 2012 question paper university mangosuthu university of technology course fluid mechanics flme102 7 documents students shared 7

final exam fluid mechanics 2012 amee 202 full pdf - May 13 2023

web aug 6 2023 the final exam fluid mechanics 2012 amee 202 it is no question simple then previously currently we extend

the associate to purchase and create bargains to
[exam october 2012 questions me national](#) - Oct 18 2023

web new results in numerical and experimental fluid mechanics x new results in numerical and experimental fluid mechanics

xiii final exam fluid mechanics 2012 amee 202

[final exam fluid mechanics 2012 amee 202 pdf uniport edu](#) - Apr 12 2023

web apr 1 2023 final exam fluid mechanics 2012 amee 202 1 11 downloaded from uniport edu ng on april 1 2023 by guest

final exam fluid mechanics 2012 amee 202

redirect - Jul 15 2023

web apr 4 2023 acquire the final exam fluid mechanics 2012 amee 202 pdf belong to that we manage to pay for here and check out the link you could purchase lead final exam

[final exam fluid mechanics 2012 amee 202 pdf](#) - May 01 2022

web jun 12 2023 final exam fluid mechanics 2012 amee 202 2 11 downloaded from uniport edu ng on june 12 2023 by guest system of environmental economic

final exam fluid mechanics 2012 amee 202 pdf book - Jun 14 2023

web mechanics of fluids presents fluid mechanics in a manner that helps students gain both an understanding of and an ability to analyze the important phenomena

download solutions finalexamfluidmechanics2012amee202 - Jan 29 2022

web apr 2 2023 final exam fluid mechanics 2012 amee 202 1 13 downloaded from uniport edu ng on april 2 2023 by guest

final exam fluid mechanics 2012 amee 202

final exam fluid mechanics 2012 amee 202 copy uniport edu - Dec 28 2021

web aug 27 2023 final exam fluid mechanics 2012 amee 202 1 9 downloaded from uniport edu ng on august 27 2023 by guest final exam fluid mechanics 2012 amee

[final exam fluid mechanics 2012 amee 202](#) - Jul 03 2022

web final exam fluid mechanics 2012 amee 202 nature inspired fluid mechanics pipe flow unsteady computational fluid dynamics in aeronautics direct modeling for

final exam fluid mechanics 2012 amee 202 pdf - Aug 16 2023

web redirect redirect

fluid mechanics exam2 pdf scribd - Feb 10 2023

web final exam fluid mechanics 2012 amee 202 acute surgical management feb 19 2020 acute surgical emergencies constitute one of the main clinical aspects that a doctor in

fluid mechanics final exam with answer key me 332 docsity - Feb 27 2022

web 1 finalexamfluidmechanics2012amee202 teaching medical professionalism nov 26 2022 this book presents ideas and guidance about human development to enhance

final exam fluid mechanics 2012 amee 202 2022 evt jyrankola - Sep 17 2023

web final exam fluid mechanics 2012 amee 202 turbulence and interactions jul 04 2023 the book presents a snapshot of the state of art in the field of turbulence modeling and

fluid mechanics the asian school of the environment ntu - Aug 04 2022

web final exam fluid mechanics 2012 amee 202 principles and practice of case based clinical reasoning education jul 01 2021 this book is open access under a cc by 4 0

final exam fluid mechanics 2012 amee 202 uniport edu - Mar 31 2022

web material type exam class fluid mechanics subject mechanical engineering university michigan state university term fall 2006 fluid mechanics final exam

final exam fluid mechanics 2012 amee 202 pdf uniport edu - Mar 11 2023

web fluid mechanics exam2 free download as pdf file pdf text file txt or read online for free fluid mechanics exam kuniv

ebook final exam fluid mechanics 2012 amee 202 - Jan 09 2023

web download and install final exam fluid mechanics 2012 amee 202 for that reason simple final exam fluid mechanics 2012 amee 202 downloaded from cybersmash io by

lewis s medical surgical nursing philippine edition 8th edition - Jul 17 2023

sep 5 2013 assessment and management of clinical problems 8th edition september 5 2013 authors sharon l lewis shannon ruff dirksen margaret m heitkemper linda

lewis s medical surgical nursing 2 volume set 11th edition - Oct 08 2022

over the past three decades more and more nursing educators have turned to lewis medical surgical nursing for its accurate and up to date coverage of the latest trends hot topics and

medical surgical nursing assessment and management of - Jan 11 2023

written by a dedicated team of expert authors led by sharon lewis medical surgical nursing 8th edition offers up to date coverage of the latest trends hot topics and clinical

evolve resources for lewis s medical surgical nursing 11th edition - Oct 28 2021

medical surgical nursing google books - Aug 18 2023

written by a dedicated team of expert authors led by sharon lewis medical surgical nursing 8th edition offers up to date

coverage of the latest trends hot topics and clinical

medical surgical nursing single volume with cd 8th edition - May 03 2022

jan 2024 22 99 add to cart gain the knowledge and skills you need to succeed in medical surgical nursing with this leading textbook lewis s medical surgical nursing 12th edition

medical surgical nursing assessment and - May 15 2023

nov 15 2010 written by a dedicated team of expert authors led by sharon lewis medical surgical nursing 8th edition offers up to date coverage of the latest trends hot topics and

medical surgical nursing 8th edition lewis test bank - Nov 28 2021

medical surgical nursing clinical management for positive - Sep 07 2022

mar 11 2022 lewis s medical surgical nursing 12th edition uses a conversational writing style a focus on nursing concepts and clinical trends evidence based content and basic

medical surgical nursing assessment and management of - Aug 06 2022

medical surgical nursing 8th edition lewis test bank 100 00 50 00 instructor s test bank for medical surgical nursing 8th edition sharon l lewis shannon ruff dirksen

evolve resources for lewis s medical surgical nursing 12th edition - Jan 31 2022

apr 2 2019 medical surgical nursing 8th edition lewis test bank full download alibabadownload com product medical surgical nursing 8th edition lewis test bank

medical surgical nursing 8th edition - Mar 13 2023

jan 1 2010 this item medical surgical nursing assessment and management of clinical problems 8th edition 2 volume set by sharon l lewis published by mosby 8th eighth

medical surgical nursing 8th edition lewis - Jun 04 2022

lewis s medical surgical nursing 12th edition uses a conversational writing style a focus on nursing concepts and clinical trends evidence based content and basic pathophysiology

medical surgical nursing e book 8th ed ebooks com - Nov 09 2022

sep 15 2009 medical surgical nursing clinical management for positive outcomes 8th edition takes you from basic to advanced medical surgical nursing with an enhanced

lewis s medical surgical nursing 12th edition us elsevier health - Mar 01 2022

jul 19 2012 you get a good idea of what you are going to see in the chapter nclex style questions case studies etc some nursing diagnosis care planning tools as well great

[medical surgical nursing lewis 8th edition blogger](#) - Dec 30 2021

oct 15 2019 evolve resources for lewis s medical surgical nursing 11th edition by mariann m harding phd rn cne faadn jeffrey kwong dnp mph agpcnp bc

[medical surgical nursing 8th edition 9780323826716 elsevier](#) - Jun 16 2023

aug 23 2022 p provide quality nursing care for adults with medical surgical and psychiatric disorders b b building upon the fundamentals of nursing b medical surgical

medical surgical nursing 8th edition chegg - Apr 14 2023

jul 13 2015 written by a dedicated team of expert authors led by sharon lewis medical surgical nursing 8th edition offers up to date coverage of the latest trends hot topics and

medical surgical nursing e book google books - Sep 19 2023

jul 13 2015 written by a dedicated team of expert authors led by sharon lewis medical surgical nursing 8th edition offers up to date coverage of the latest trends hot topics and

[lewis s medical surgical nursing 12th edition elsevier](#) - Jul 05 2022

1 contemporary nursing practice 2 health disparities and culturally competent care 3 health history and physical examination 4 patient and caregiver teaching 5 chronic illness and

medical surgical nursing e book 8th edition chegg - Feb 12 2023

corresponding to the chapters in the 8th edition of lewis market leading text medical surgical nursing assessment and management of clinical problems this study guide offers a

[medical surgical nursing study guide 8th edition](#) - Dec 10 2022

sep 25 2019 get a unique conceptual approach to nursing care in this rapidly changing healthcare environment lewis s medical surgical nursing 11 th edition gives you a solid

lewis s medical surgical nursing 12th edition mea elsevier - Apr 02 2022

oct 14 2022 evolve resources for lewis s medical surgical nursing 12th edition 9780323792356 isbn 9780323792356 copyright 2023 publication date 10 14 2022