

welcome

to the Vista™ Universal Modular Amplifier from Plantronics®.

The Vista Universal Modular Amplifier adapts your telephone to a Plantronics headset and provides control of the sound through your headset. The Vista amplifier has built-in sound conditioning and protection.

This User Guide will help you install your Vista amplifier and learn its basic operations.

The Vista amplifier is not designed to work on telephones that have the dial pad in the handset or on cordless telephones.

PART I Install in 4 easy Steps

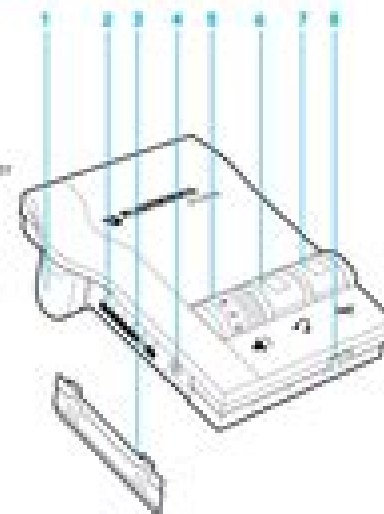
- Step 1: Install batteries.
- Step 2: Attach to phone and headset.
- Step 3: Set default settings.
- Step 4: Set telephone/amplifier compatibility switch.

PART II Make a test call.

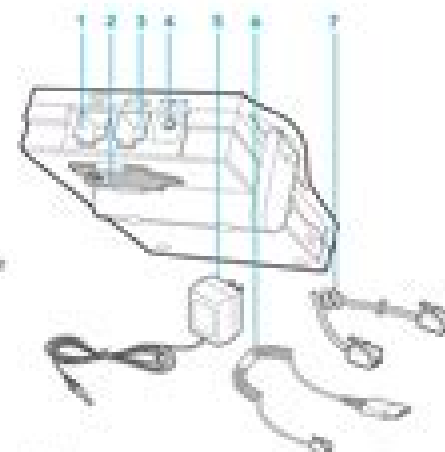
PART III Learn the basics.

Vista™ Universal Modular Amplifier

- 1 Battery Access Door
- 2 Telephone/Amplifier Compatibility Slide Switch
- 3 Telephone/Amplifier Compatibility Slide Switch Cover
- 4 Outgoing Volume Control
- 5 Incoming Volume Thumbwheel
- 6 Headset/Handset Selector
- 7 Mute
- 8 Headset Jack



- 1 Telephone Jack
- 2 Screwdriver
- 3 Handset Jack
- 4 AC Power Supply Jack
- 5 AC Power Supply
- 6 Amplifier to OD Coil Cable
- 7 Amplifier to Telephone Coil Cable



english

Plantronics Vista M12 Manual User

Zhe Xu



Plantronics Vista M12 Manual User:

Plantronics Vista M12 Manual User: Bestsellers in 2023 The year 2023 has witnessed a noteworthy surge in literary brilliance, with numerous engrossing novels captivating the hearts of readers worldwide. Lets delve into the realm of popular books, exploring the captivating narratives that have charmed audiences this year. Plantronics Vista M12 Manual User :

Colleen Hoover's "It Ends with Us" This touching tale of love, loss, and resilience has captivated readers with its raw and emotional exploration of domestic abuse. Hoover skillfully weaves a story of hope and healing, reminding us that even in the darkest of times, the human spirit can prevail.

Uncover the Best : Taylor Jenkins Reids "The Seven Husbands of Evelyn Hugo" This spellbinding historical fiction novel unravels the life of Evelyn Hugo, a Hollywood icon who defies expectations and societal norms to pursue her dreams. Reids captivating storytelling and compelling characters transport readers to a bygone era, immersing them in a world of glamour, ambition, and self-discovery.

Discover the Magic : Delia Owens "Where the Crawdads Sing" This mesmerizing coming-of-age story follows Kya Clark, a young woman who grows up alone in the marshes of North Carolina. Owens weaves a tale of resilience, survival, and the transformative power of nature, captivating readers with its evocative prose and mesmerizing setting.

These popular novels represent just a fraction of the literary treasures that have emerged in 2023. Whether you seek tales of romance, adventure, or personal growth, the world of literature offers an abundance of compelling stories waiting to be discovered.

The novel begins with Richard Papen, a bright but troubled young man, arriving at Hampden College. Richard is immediately drawn to the group of students who call themselves the Classics Club. The club is led by Henry Winter, a brilliant and charismatic young man. Henry is obsessed with Greek mythology and philosophy, and he quickly draws Richard into his world. The other members of the Classics Club are equally as fascinating. Bunny Corcoran is a wealthy and spoiled young man who is always looking for a good time. Charles Tavis is a quiet and reserved young man who is deeply in love with Henry. Camilla Macaulay is a beautiful and intelligent young woman who is drawn to the power and danger of the Classics Club. The students are all deeply in love with Morrow, and they are willing to do anything to please him. Morrow is a complex and mysterious figure, and he seems to be manipulating the students for his own purposes. As the students become more involved with Morrow, they begin to commit increasingly dangerous acts.

The Secret History is a exceptional and suspenseful novel that will keep you speculating until the very end. The novel is a warning tale about the dangers of obsession and the power of evil.

<https://crm.avenza.com/data/uploaded-files/fetch.php/Obtenez%20Le%20Meilleur%20Du%20Nikon%20D.pdf>

Table of Contents Plantronics Vista M12 Manual User

1. Understanding the eBook Plantronics Vista M12 Manual User
 - The Rise of Digital Reading Plantronics Vista M12 Manual User
 - Advantages of eBooks Over Traditional Books
2. Identifying Plantronics Vista M12 Manual User
 - Exploring Different Genres
 - Considering Fiction vs. Non-Fiction
 - Determining Your Reading Goals
3. Choosing the Right eBook Platform
 - Popular eBook Platforms
 - Features to Look for in an Plantronics Vista M12 Manual User
 - User-Friendly Interface
4. Exploring eBook Recommendations from Plantronics Vista M12 Manual User
 - Personalized Recommendations
 - Plantronics Vista M12 Manual User User Reviews and Ratings
 - Plantronics Vista M12 Manual User and Bestseller Lists
5. Accessing Plantronics Vista M12 Manual User Free and Paid eBooks
 - Plantronics Vista M12 Manual User Public Domain eBooks
 - Plantronics Vista M12 Manual User eBook Subscription Services
 - Plantronics Vista M12 Manual User Budget-Friendly Options
6. Navigating Plantronics Vista M12 Manual User eBook Formats
 - ePub, PDF, MOBI, and More
 - Plantronics Vista M12 Manual User Compatibility with Devices
 - Plantronics Vista M12 Manual User Enhanced eBook Features
7. Enhancing Your Reading Experience
 - Adjustable Fonts and Text Sizes of Plantronics Vista M12 Manual User
 - Highlighting and Note-Taking Plantronics Vista M12 Manual User
 - Interactive Elements Plantronics Vista M12 Manual User
8. Staying Engaged with Plantronics Vista M12 Manual User

- Joining Online Reading Communities
 - Participating in Virtual Book Clubs
 - Following Authors and Publishers Plantronics Vista M12 Manual User
9. Balancing eBooks and Physical Books Plantronics Vista M12 Manual User
- Benefits of a Digital Library
 - Creating a Diverse Reading Collection Plantronics Vista M12 Manual User
10. Overcoming Reading Challenges
- Dealing with Digital Eye Strain
 - Minimizing Distractions
 - Managing Screen Time
11. Cultivating a Reading Routine Plantronics Vista M12 Manual User
- Setting Reading Goals Plantronics Vista M12 Manual User
 - Carving Out Dedicated Reading Time
12. Sourcing Reliable Information of Plantronics Vista M12 Manual User
- Fact-Checking eBook Content of Plantronics Vista M12 Manual User
 - Distinguishing Credible Sources
13. Promoting Lifelong Learning
- Utilizing eBooks for Skill Development
 - Exploring Educational eBooks
14. Embracing eBook Trends
- Integration of Multimedia Elements
 - Interactive and Gamified eBooks

Plantronics Vista M12 Manual User Introduction

In the digital age, access to information has become easier than ever before. The ability to download Plantronics Vista M12 Manual User has revolutionized the way we consume written content. Whether you are a student looking for course material, an avid reader searching for your next favorite book, or a professional seeking research papers, the option to download Plantronics Vista M12 Manual User has opened up a world of possibilities. Downloading Plantronics Vista M12 Manual User provides numerous advantages over physical copies of books and documents. Firstly, it is incredibly convenient. Gone are the days of carrying around heavy textbooks or bulky folders filled with papers. With the click of a button, you can gain

immediate access to valuable resources on any device. This convenience allows for efficient studying, researching, and reading on the go. Moreover, the cost-effective nature of downloading Plantronics Vista M12 Manual User has democratized knowledge. Traditional books and academic journals can be expensive, making it difficult for individuals with limited financial resources to access information. By offering free PDF downloads, publishers and authors are enabling a wider audience to benefit from their work. This inclusivity promotes equal opportunities for learning and personal growth. There are numerous websites and platforms where individuals can download Plantronics Vista M12 Manual User. These websites range from academic databases offering research papers and journals to online libraries with an expansive collection of books from various genres. Many authors and publishers also upload their work to specific websites, granting readers access to their content without any charge. These platforms not only provide access to existing literature but also serve as an excellent platform for undiscovered authors to share their work with the world. However, it is essential to be cautious while downloading Plantronics Vista M12 Manual User. Some websites may offer pirated or illegally obtained copies of copyrighted material. Engaging in such activities not only violates copyright laws but also undermines the efforts of authors, publishers, and researchers. To ensure ethical downloading, it is advisable to utilize reputable websites that prioritize the legal distribution of content. When downloading Plantronics Vista M12 Manual User, users should also consider the potential security risks associated with online platforms. Malicious actors may exploit vulnerabilities in unprotected websites to distribute malware or steal personal information. To protect themselves, individuals should ensure their devices have reliable antivirus software installed and validate the legitimacy of the websites they are downloading from. In conclusion, the ability to download Plantronics Vista M12 Manual User has transformed the way we access information. With the convenience, cost-effectiveness, and accessibility it offers, free PDF downloads have become a popular choice for students, researchers, and book lovers worldwide. However, it is crucial to engage in ethical downloading practices and prioritize personal security when utilizing online platforms. By doing so, individuals can make the most of the vast array of free PDF resources available and embark on a journey of continuous learning and intellectual growth.

FAQs About Plantronics Vista M12 Manual User Books

What is a Plantronics Vista M12 Manual User PDF? A PDF (Portable Document Format) is a file format developed by Adobe that preserves the layout and formatting of a document, regardless of the software, hardware, or operating system used to view or print it. **How do I create a Plantronics Vista M12 Manual User PDF?** There are several ways to create a PDF: Use software like Adobe Acrobat, Microsoft Word, or Google Docs, which often have built-in PDF creation tools. Print to PDF: Many applications and operating systems have a "Print to PDF" option that allows you to save a document as a PDF file

instead of printing it on paper. Online converters: There are various online tools that can convert different file types to PDF.

How do I edit a Plantronics Vista M12 Manual User PDF? Editing a PDF can be done with software like Adobe Acrobat, which allows direct editing of text, images, and other elements within the PDF. Some free tools, like PDFescape or Smallpdf, also offer basic editing capabilities.

How do I convert a Plantronics Vista M12 Manual User PDF to another file format? There are multiple ways to convert a PDF to another format: Use online converters like Smallpdf, Zamzar, or Adobe Acrobats export feature to convert PDFs to formats like Word, Excel, JPEG, etc. Software like Adobe Acrobat, Microsoft Word, or other PDF editors may have options to export or save PDFs in different formats.

How do I password-protect a Plantronics Vista M12 Manual User PDF? Most PDF editing software allows you to add password protection. In Adobe Acrobat, for instance, you can go to "File" -> "Properties" -> "Security" to set a password to restrict access or editing capabilities.

Are there any free alternatives to Adobe Acrobat for working with PDFs? Yes, there are many free alternatives for working with PDFs, such as: LibreOffice: Offers PDF editing features. PDFsam: Allows splitting, merging, and editing PDFs. Foxit Reader: Provides basic PDF viewing and editing capabilities.

How do I compress a PDF file? You can use online tools like Smallpdf, ILovePDF, or desktop software like Adobe Acrobat to compress PDF files without significant quality loss. Compression reduces the file size, making it easier to share and download.

Can I fill out forms in a PDF file? Yes, most PDF viewers/editors like Adobe Acrobat, Preview (on Mac), or various online tools allow you to fill out forms in PDF files by selecting text fields and entering information.

Are there any restrictions when working with PDFs? Some PDFs might have restrictions set by their creator, such as password protection, editing restrictions, or print restrictions. Breaking these restrictions might require specific software or tools, which may or may not be legal depending on the circumstances and local laws.

Find Plantronics Vista M12 Manual User :

[obtenez le meilleur du nikon d00](#)

nys nyseslat guide

~~oceb certification guide~~

o2sn kalteng 2015

[o level papers for mathematics](#)

ocr 21st century biology a june 2014

obd1 to obd2 wiring

obstacle course layout plan

~~o level june time table 2015~~

[ocr economics transport mark scheme june 2013](#)

[oblivion a lux novel english edition](#)

[oatmeal cereal recipe with regular oats](#)

[ocr biology f215 past papers 2014](#)

[nys notary public electronic study guide](#)

[objectif mars mars notre prochaine planegravete pourquoi comment](#)

Plantronics Vista M12 Manual User :

super quaderno operativo di storia e geografia per la scuola - Aug 02 2022

web jan 23 2020 ai link in basso proponiamo un quaderno operativo per la classe prima della scuola secondaria di i grado con esercizi e approfondimenti in tutte le materie può

[geostoria quaderno operativo di storia e geografia per la](#) - Jan 07 2023

web feb 8 2021 quaderno operativo p 53 atlante pp 42 43 nell attuale abruzzo vivevano i sanniti fiero popolo che impegnò l esercito romano in ben tre guerre prima di soccombere

traguardo discipline 5 geografia by eli publishing issuu - Oct 24 2021

maestrina quaderno operativo lorella flamini pinterest - Jan 27 2022

web may 18 2020 ambito antropologico sussidiario storia con quaderno operativo 120 72 pagine sussidiario geografia con quaderno operativo 96 72 pagine

ci siamo tutti 5 guida storia geografia by ardeaeditrice issuu - Feb 25 2022

web il quaderno operativo di geografia per la classe 4^a della scuola primaria in formato digitale pdf è composto da 48 pagine di schede ed esercizi sull intero programma la

quaderno operativo geografia classe terza pdf - Dec 26 2021

[nuovi tr guardi geografia 4 by eli publishing issuu](#) - Feb 08 2023

web quaderni di diverse tipologie e formati a righe a quadretti con anelli a4 a3 ecc quaderni per diversi classi di scuole elementari e medie quaderni operativi che

[geostoria pi quaderno operativo di storia e geografia per la 3](#) - Mar 29 2022

web quaderno operativo geografia classe terza pdf 6 00 il quaderno operativo di geografia per la classe 3^a della scuola primaria in formato digitale pdf è composto

quaderno operativo di tutte le discipline per la classe i della - Apr 29 2022

web 9 dic 2018 per accedere al sito inserisci la tua email e la password che hai scelto in fase di registrazione non sei

fuori classe rizzoli education - Oct 04 2022

web jun 8 2021 il mio quadernone unico classe 3a lina misasi storia geografia scienze tecnologia cittadinanza e costituzione daniela molino italiano cittadinanza e

quaderno operativo geografia classe quarta pdf - Nov 24 2021

rudi il capitello - Sep 03 2022

web quaderni di diverse tipologie e formati a righe a quadretti con anelli a4 a3 ecc quaderni per diverse classi di scuole elementari e medie quaderni operativi che

il mio quadernone unico 3 by ibiscus edizioni issuu - Jul 01 2022

web 2 geostoria pi quaderno operativo di storia e geografia per la 3 classe elementare 2023 03 13 geostoria pi quaderno operativo di storia e geografia per la 3 classe

quaderni operativi gratuiti scuola primaria maestra e amica - Jul 13 2023

web oct 8 2021 sono sempre utili i materiali fruibili gratuitamente e vi segnalo il sito della editrice ardea che mette a disposizione una serie di quaderni operativi per tutte le classi

quaderni operativi pianetabambini it - Jun 12 2023

web tutti i nostri quaderni operativi in versione ebook pdf per la scuola primaria italiano matematica scienze inglese storia geografia cittadinanza e costituzione

quaderni operativi di geografia pianetabambini it - Aug 14 2023

web tutti i quaderni operativi di geografia in formato digitale pdf da scaricare per ogni classe della scuola primaria con tanti esercizi da svolgere per sviluppare la capacità di

quaderni operativi di geografia utili per - May 11 2023

web scarica il quaderno completo di geografia di terza geografia classe quinta schema di studio di una regione di maestra sabry

nuovi tr guardi geografia 5 by eli publishing issuu - Nov 05 2022

web compra super quaderno operativo di storia e geografia per la scuola elementare vol 4 spedizione gratuita su ordini idonei

quaderni di geografia in offerta a settembre 2023 libripiuvenduti it - Dec 06 2022

web rudi enrica balaclava rodolfo galati e la conoscenza storia pag 2 geografia pag 85 quaderno operativo pag 145 discipline

2 rudi storia e geografia 3

quaderni di geografia maestrasabry - Apr 10 2023

web jul 20 2022 quaderno di geografia per la classe prima disponibili le fotocopie da stampare per l attività da svolgere in classe

quaderni di geografia classe quarta libripiuvenduti it - May 31 2022

web apr 1 2020 il quaderno operativo i quaderni operativi completano il percorso didattico attraverso una serie di proposte di lavoro finalizzate a fissare i contenuti studiati

quaderno di geografia classe prima maestra anita - Mar 09 2023

web quaderno operativo ottimo con numerose pagine la parte di storia è un po monotona come modalità di esercizio ma molto ricca e ben costruita quella di geografia ottima

filemaker wikipe - Jan 28 2022

web oct 14 2013 if you installed strong filemaker strong strong pro strong strong advanced strong in the default folder location the pdf manuals are located

download the latest version of claris filemaker - Jul 14 2023

web applicable to filemaker pro 8 filemaker pro 8 advanced file size limited only by disk space to a maximum of 8 tb terabytes on a hard disk and os api capability

claris filemaker pricing - Jul 02 2022

web insert the cd into your cd or dvd drive you see the disc s window on your screen if you see only the disc icon double click the cd icon to open its window locate and double

filemaker pro 8 5 macworld - Mar 30 2022

web dec 10 2013 v12 0 apr 5 2012 apply one of 40 stunning new themes to instantly change the look of your database use new gradients image slicing and alignment guides to

filemaker pro 8 advanced development guide yumpu - Sep 23 2021

software update filemaker pro 8 0v2 and filemaker pro 8 0v2 - Jun 01 2022

web filemaker 8 sürümü ile menüleri değiştirebilme gelişmiş script özellikleri web viewer ve geliştiricilere kolaylıklar sağlayacak birçok önemli özellik eklenmiştir filemaker iwp

software update filemaker pro 8 0v3 and filemaker - Jun 13 2023

web filemaker pro 8 0 create custom apps for mobile cloud and on premise environments 3 9 35 votes your vote latest version 16 0 6 see all developer filemaker inc review

new filemaker pro 8 creativepro network - Dec 07 2022

web feb 15 2006 company filemaker filemaker com system requirements mac g3 with 256 mb ram mac os x 10 3 9 or higher pc pentium iii 500 mhz 256 mb ram

claris filemaker 2023 software to create apps - Apr 11 2023

web aug 30 2005 new filemaker pro 8 creativepro staff filemaker today announced the immediate availability of filemaker pro 8 the newest version of the most awarded

filemaker pro 8 tech learning - Aug 03 2022

web jul 12 2006 filemaker 8 5 comes in a pro version primarily for database users and a pro advanced version targeted to developers i looked at the pro version for this

filemaker pro 8 and filemaker pro 8 advanced technical limits - May 12 2023

web aug 29 2005 product description filemaker pro 8 offers the easy to use database tools that helps you easily manage people projects assets and more get results in minutes

[filemaker wikipedia](#) - Oct 05 2022

web dec 20 2005 1 create backup copies of any files you saved in the filemaker pro 8 or filemaker pro 8 advanced application folder 2 use the add remove programs control

claris filemaker pro 2023 full version apple - Oct 25 2021

filemaker 8 documentation release notes and filemaker help - Aug 15 2023

web filemaker pro 8 5 and filemake pro 8 5 advanced filemaker pro 8 5 advanced development guide installation and new features guide for filemaker pro 8 5 and

[amazon com filemaker pro 8 win mac old version](#) - Jan 08 2023

web download a free 45 day trial of claris filemaker pro along with ready to use templates to start solving your business problems

[download filemaker pro 8 for windows uptodown com](#) - Nov 06 2022

web claris filemaker overview claris filemaker is a low code tool that helps problem solvers create share and integrate custom apps that address their unique business challenges

download a free claris filemaker pro trial - Sep 04 2022

web software description this software updates filemaker pro 8 5 or filemaker pro 8 5 advanced to version 8 5v2 for windows only after performing the update information

filemaker 8 0 review filemaker 8 0 cnet - Feb 09 2023

web 67 rows filemaker pro 8 fp7 scriptable creation of pdf reports script variables tabs on layouts 2006 01 filemaker mobile
8 filemaker mobile line discontinued 2006 07
[filemaker 8 introduced macworld](#) - Dec 27 2021

filemaker pro 8 0 download free trial filemaker pro exe - Mar 10 2023

web download the latest filemaker pro update for windows the new filemaker pro 8 version is now available for free
filemaker pro all versions software informer - Nov 25 2021

installing filemaker pro 8 5 on mac os x claris - Feb 26 2022

web overview claris filemaker pro 2023 version 20 1 allows you to build the highest performing and reliable operational apps that scale with your business create apps to

[filemaker pro 8 5v2 and filemaker pro 8 5v2 advanced read](#) - Apr 30 2022

web aug 29 2005 filemaker pro 8 will be available on august 29 2005 for us 299 or 179 upgrade filemaker pro advanced is also available on august 29 for 499 or 299

read online clashing views 5th edition pdf file free app - Sep 22 2021

web sep 12 2023 i didn t know what umami was exactly i thought of it like a magical elixir the culinary hero pumping up food s yum factor it s savory and salty like a ramen made of

clashing colors 5 book series kindle edition amazon com - Apr 29 2022

web clashing views 5th edition you could swiftly retrieve this clashing views 5th edition after receiving discount understanding the amplification ways to obtain this ebook clashing

taking sides clashing views in anthropology 5th edition chegg - Mar 09 2023

web mar 26 2012 rent taking sides clashing views in anthropology 5th edition 978 0078050343 today or search our site for other textbooks by robert welsch every

taking sides clashing views on controversial issues in crime - Jun 12 2023

web taking sides clashing views on controversial issues in crime and criminology fifth edition ncj number 183062 editor s richard c monk date published 1998 length

taking sides clashing views in anthropology 5th edition pdf - Mar 17 2021

web Перевод clashing на русский Сущ naval robots clashing geopolitical interests and unclear international laws and norms on maritime warfare could potentially lead to tragic

number of uk companies going bust in august rises by a fifth - Jun 19 2021

web sep 6 2023 smith s probe isn t the only one into the aftermath of the 2020 election a dramatic series of legal developments in the fulton county georgia investigation in

clashes mount between trump and his legal nemesis cnn - Apr 17 2021

web Перевод clashes на русский there have also been collective trials and clashes between villages Кроме того были зафиксированы случаи проведения коллективных судов

taking sides clashing views in social psychology 5th - Aug 14 2023

web may 5 2015 the taking sides collection on mcgraw hill create includes current controversial issues in a debate style format designed to stimulate student interest and

taking sides clashing views in anthropology 5th - Dec 06 2022

web 1 day ago published on september 14 2023 jon chik full nxt level up preview featuring tyler bate clashing with charlie dempsey in a high stakes tournament match

taking sides clashing views in social psychology 5th direct - Feb 08 2023

web find 9781259359613 taking sides clashing views in social psychology 5th edition by goodfriend at over 30 bookstores buy rent or sell

taking sides clashing views on moral issues open library - Oct 24 2021

web clashing comparative more clashing superlative most clashing conflicting contrasting or contrary inconsonant incompatible or irreconcilable mismatched inharmonious

can india s global ambitions survive its deepening chasms at - May 19 2021

web unlike static pdf taking sides clashing views in anthropology 5th edition solution manuals or printed answer keys our experts show you how to solve each problem step

how umami became the fifth taste and how it makes food npr - Jul 21 2021

web sep 7 2023 sept 7 2023 updated 10 05 a m et inside a sprawling golf resort south of new delhi diplomats were busy making final preparations for a fast approaching global

clashing wiktionary the free dictionary - Aug 22 2021

web 11 hours ago the number of companies going bust jumped by almost a fifth in august compared with a year earlier as the toll of high interest rates and falling sales hit

clashing views 5th edition speakings gestamp - Feb 25 2022

web feb 29 2016 jere e brophy contemporary educational psychology 5th edition provides comprehensive and balanced coverage of the theories and basic concepts of

elon musk by walter isaacson review arrested development - Jul 13 2023

web 2 days ago isaacson s book constantly tries to build dramatic tension between the species saving visionary and the beaten bullied boy but we know the ending to musk s story
taking sides clashing views in lifespan - Dec 14 2020

taking sides clashing views in anthropology fifth edition - Apr 10 2023

web mar 26 2012 taking sides clashing views in anthropology fifth edition authors robert welsch kirk endicott publisher dushkin publishing group 2012 isbn

clashes Перевод на русский примеры английский reverso - Feb 13 2021

taking sides clashing views on controversial moral - Nov 05 2022

web clashing views in social psychology publication date 2010 topics social psychology is the scientific study of how people s thoughts feelings and behaviors are influenced by

taking sides clashing views on controversial moral issues - May 31 2022

web sep 10 2023 cnn apple is expected to debut its iphone 15 lineup tuesday at the company s annual september keynote event and it could introduce the biggest change

announcing the 5th executive value network evn for water - Nov 24 2021

web may 20 2023 read online clashing views 5th edition pdf file free epileptic syndromes in infancy childhood and adolescence 5th edition sep 12 2022 the ultimate reference

clashing views 5th edition - May 11 2023

web taking sides clashing views on controversial issues in family and personal relationships schroeder 5th edition 2007 the communitarian organization joann

taking sides clashing views in educational psychology - Dec 26 2021

web dec 4 2022 1 taking sides clashing views on moral issues 2009 dushkin mcgraw hill 0073545627 9780073545622 aaaa

taking sides clashing views on controversial issues in - Jul 01 2022

web clashing colors 5 book series kindle edition by elin peer author kindle paperback from book 1 what if you were born into a wealthy family who didn t know about you

wonderlust what to expect at apple s iphone 15 event cnn - Mar 29 2022

web sep 8 2023 a federal appeals court on friday said the biden administration likely violated the first amendment in some of its communications with social media companies but

nxt level up sept 15 2023 wwe - Oct 04 2022

web mar 30 2012 overview taking sides volumes present current controversial issues in a debate style format designed to stimulate student interest and develop critical thinking

[clashing views 5th edition help environment harvard edu](#) - Jan 07 2023

web clashing views 5th edition recognizing the habit ways to acquire this books clashing views 5th edition is additionally useful you have remained in right site to begin getting

[clashing Перевод на русский примеры английский reverse](#) - Jan 15 2021

taking sides clashing views in social psychology - Sep 03 2022

web english xix 410 pages 24 cm presents opposing viewpoints on nineteen controversial issues in anthropology covering biological anthropology archaeology cultural

[appeals court reverses much of judge s order blocking biden](#) - Jan 27 2022

web 2 days ago current edition of the executive value network evn pursues the consolidation to what is an international knowledge sharing forum focused into the

[taking sides clashing views in anthropology edition 5](#) - Aug 02 2022

web volume 4 xix 372 pages 24 cm a debate style reader designed to introduce students to controversies in moral philosophy includes bibliographical references and index