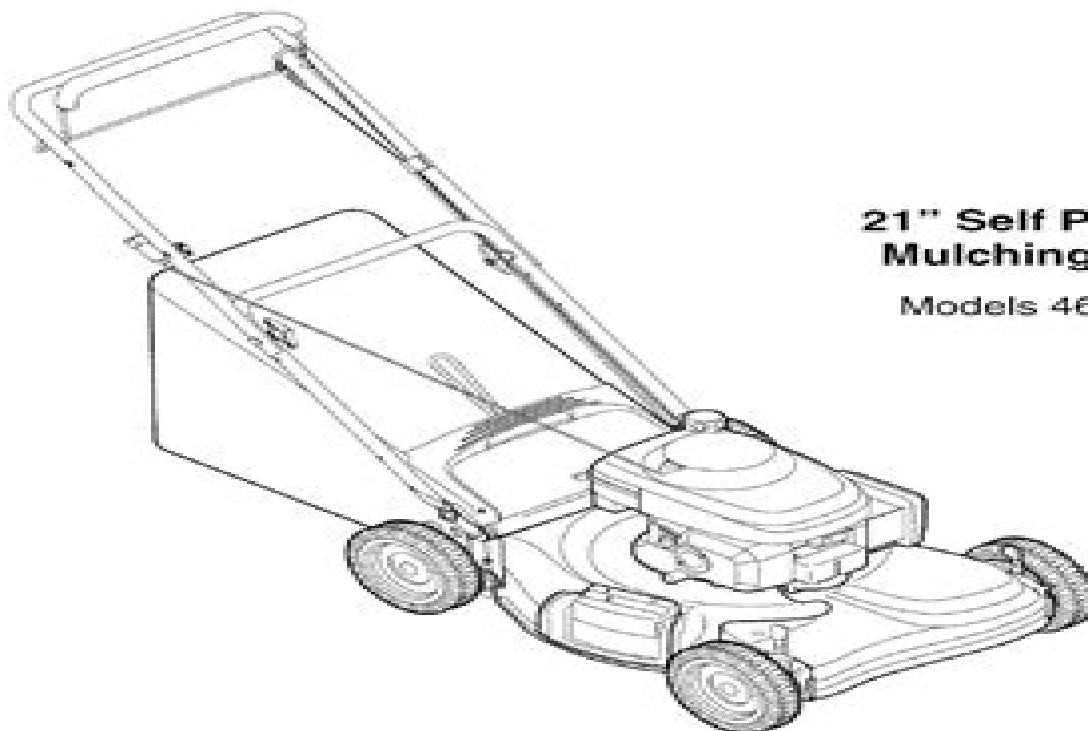




# Operator's Manual



## 21" Self Propelled Mulching Mower

Models 466 & 469

**IMPORTANT:** Read safety rules and instructions carefully before operating equipment.

**Warning:** This unit is equipped with an internal combustion engine and should not be used on or near any unimproved forest-covered, brush-covered or grass-covered land unless the engine's exhaust system is equipped with a spark arrester meeting applicable local or state laws (if any). If a spark arrester is used, it should be maintained in effective working order by the operator. In the State of California the above is required by law (Section 4442 of the California Public Resources Code). Other states may have similar laws. Federal laws apply on federal lands. A spark arrester for the muffler is available through your nearest engine authorized service dealer or contact the service department, P.O. Box 361131 Cleveland, Ohio 44136-0019.

Troy-Bilt LLC, P.O. BOX 361131 CLEVELAND, OHIO 44136-0019

PRINTED IN U.S.A.

FORM NO. 768-00955A  
(10/2004)

# Owners Manual For 2004 Troybilt Mower

**Hussin A.Rothana**



**Owners Manual For 2004 Troybilt Mower:**

As recognized, adventure as competently as experience approximately lesson, amusement, as without difficulty as conformity can be gotten by just checking out a ebook **Owners Manual For 2004 Troybilt Mower** furthermore it is not directly done, you could say you will even more approximately this life, approaching the world.

We find the money for you this proper as with ease as simple pretentiousness to acquire those all. We find the money for Owners Manual For 2004 Troybilt Mower and numerous book collections from fictions to scientific research in any way. in the midst of them is this Owners Manual For 2004 Troybilt Mower that can be your partner.

<https://crm.avenza.com/About/virtual-library/default.aspx/renault%205%20gt%20turbo%20haynes%20manual.pdf>

## **Table of Contents Owners Manual For 2004 Troybilt Mower**

1. Understanding the eBook Owners Manual For 2004 Troybilt Mower
  - The Rise of Digital Reading Owners Manual For 2004 Troybilt Mower
  - Advantages of eBooks Over Traditional Books
2. Identifying Owners Manual For 2004 Troybilt Mower
  - Exploring Different Genres
  - Considering Fiction vs. Non-Fiction
  - Determining Your Reading Goals
3. Choosing the Right eBook Platform
  - Popular eBook Platforms
  - Features to Look for in an Owners Manual For 2004 Troybilt Mower
  - User-Friendly Interface
4. Exploring eBook Recommendations from Owners Manual For 2004 Troybilt Mower
  - Personalized Recommendations
  - Owners Manual For 2004 Troybilt Mower User Reviews and Ratings
  - Owners Manual For 2004 Troybilt Mower and Bestseller Lists
5. Accessing Owners Manual For 2004 Troybilt Mower Free and Paid eBooks

- Owners Manual For 2004 Troybilt Mower Public Domain eBooks
  - Owners Manual For 2004 Troybilt Mower eBook Subscription Services
  - Owners Manual For 2004 Troybilt Mower Budget-Friendly Options
6. Navigating Owners Manual For 2004 Troybilt Mower eBook Formats
    - ePub, PDF, MOBI, and More
    - Owners Manual For 2004 Troybilt Mower Compatibility with Devices
    - Owners Manual For 2004 Troybilt Mower Enhanced eBook Features
  7. Enhancing Your Reading Experience
    - Adjustable Fonts and Text Sizes of Owners Manual For 2004 Troybilt Mower
    - Highlighting and Note-Taking Owners Manual For 2004 Troybilt Mower
    - Interactive Elements Owners Manual For 2004 Troybilt Mower
  8. Staying Engaged with Owners Manual For 2004 Troybilt Mower
    - Joining Online Reading Communities
    - Participating in Virtual Book Clubs
    - Following Authors and Publishers Owners Manual For 2004 Troybilt Mower
  9. Balancing eBooks and Physical Books Owners Manual For 2004 Troybilt Mower
    - Benefits of a Digital Library
    - Creating a Diverse Reading Collection Owners Manual For 2004 Troybilt Mower
  10. Overcoming Reading Challenges
    - Dealing with Digital Eye Strain
    - Minimizing Distractions
    - Managing Screen Time
  11. Cultivating a Reading Routine Owners Manual For 2004 Troybilt Mower
    - Setting Reading Goals Owners Manual For 2004 Troybilt Mower
    - Carving Out Dedicated Reading Time
  12. Sourcing Reliable Information of Owners Manual For 2004 Troybilt Mower
    - Fact-Checking eBook Content of Owners Manual For 2004 Troybilt Mower
    - Distinguishing Credible Sources
  13. Promoting Lifelong Learning
    - Utilizing eBooks for Skill Development

- Exploring Educational eBooks
- 14. Embracing eBook Trends
  - Integration of Multimedia Elements
  - Interactive and Gamified eBooks

### **Owners Manual For 2004 Troybilt Mower Introduction**

Free PDF Books and Manuals for Download: Unlocking Knowledge at Your Fingertips In today's fast-paced digital age, obtaining valuable knowledge has become easier than ever. Thanks to the internet, a vast array of books and manuals are now available for free download in PDF format. Whether you are a student, professional, or simply an avid reader, this treasure trove of downloadable resources offers a wealth of information, conveniently accessible anytime, anywhere. The advent of online libraries and platforms dedicated to sharing knowledge has revolutionized the way we consume information. No longer confined to physical libraries or bookstores, readers can now access an extensive collection of digital books and manuals with just a few clicks. These resources, available in PDF, Microsoft Word, and PowerPoint formats, cater to a wide range of interests, including literature, technology, science, history, and much more. One notable platform where you can explore and download free Owners Manual For 2004 Troybilt Mower PDF books and manuals is the internet's largest free library. Hosted online, this catalog compiles a vast assortment of documents, making it a veritable goldmine of knowledge. With its easy-to-use website interface and customizable PDF generator, this platform offers a user-friendly experience, allowing individuals to effortlessly navigate and access the information they seek. The availability of free PDF books and manuals on this platform demonstrates its commitment to democratizing education and empowering individuals with the tools needed to succeed in their chosen fields. It allows anyone, regardless of their background or financial limitations, to expand their horizons and gain insights from experts in various disciplines. One of the most significant advantages of downloading PDF books and manuals lies in their portability. Unlike physical copies, digital books can be stored and carried on a single device, such as a tablet or smartphone, saving valuable space and weight. This convenience makes it possible for readers to have their entire library at their fingertips, whether they are commuting, traveling, or simply enjoying a lazy afternoon at home. Additionally, digital files are easily searchable, enabling readers to locate specific information within seconds. With a few keystrokes, users can search for keywords, topics, or phrases, making research and finding relevant information a breeze. This efficiency saves time and effort, streamlining the learning process and allowing individuals to focus on extracting the information they need. Furthermore, the availability of free PDF books and manuals fosters a culture of continuous learning. By removing financial barriers, more people can access educational resources and pursue lifelong learning, contributing to personal growth and professional development. This democratization of knowledge promotes

intellectual curiosity and empowers individuals to become lifelong learners, promoting progress and innovation in various fields. It is worth noting that while accessing free Owners Manual For 2004 Troybilt Mower PDF books and manuals is convenient and cost-effective, it is vital to respect copyright laws and intellectual property rights. Platforms offering free downloads often operate within legal boundaries, ensuring that the materials they provide are either in the public domain or authorized for distribution. By adhering to copyright laws, users can enjoy the benefits of free access to knowledge while supporting the authors and publishers who make these resources available. In conclusion, the availability of Owners Manual For 2004 Troybilt Mower free PDF books and manuals for download has revolutionized the way we access and consume knowledge. With just a few clicks, individuals can explore a vast collection of resources across different disciplines, all free of charge. This accessibility empowers individuals to become lifelong learners, contributing to personal growth, professional development, and the advancement of society as a whole. So why not unlock a world of knowledge today? Start exploring the vast sea of free PDF books and manuals waiting to be discovered right at your fingertips.

### **FAQs About Owners Manual For 2004 Troybilt Mower Books**

How do I know which eBook platform is the best for me? Finding the best eBook platform depends on your reading preferences and device compatibility. Research different platforms, read user reviews, and explore their features before making a choice. Are free eBooks of good quality? Yes, many reputable platforms offer high-quality free eBooks, including classics and public domain works. However, make sure to verify the source to ensure the eBook credibility. Can I read eBooks without an eReader? Absolutely! Most eBook platforms offer web-based readers or mobile apps that allow you to read eBooks on your computer, tablet, or smartphone. How do I avoid digital eye strain while reading eBooks? To prevent digital eye strain, take regular breaks, adjust the font size and background color, and ensure proper lighting while reading eBooks. What the advantage of interactive eBooks? Interactive eBooks incorporate multimedia elements, quizzes, and activities, enhancing the reader engagement and providing a more immersive learning experience. Owners Manual For 2004 Troybilt Mower is one of the best book in our library for free trial. We provide copy of Owners Manual For 2004 Troybilt Mower in digital format, so the resources that you find are reliable. There are also many Ebooks of related with Owners Manual For 2004 Troybilt Mower. Where to download Owners Manual For 2004 Troybilt Mower online for free? Are you looking for Owners Manual For 2004 Troybilt Mower PDF? This is definitely going to save you time and cash in something you should think about.

**Find Owners Manual For 2004 Troybilt Mower :**

**renault 5 gt turbo haynes manual**

*renault clio workshop manual 1995*

[renault manual de usuario clio](#)

[renault modus english manual](#)

**renault scenic automatic owners manual**

*renault clio v6 service manual*

[renault megane ii 2015 manual](#)

**renault megane 2003 workshop manual**

[renault laguna code manual](#)

**reliance electric electro craft 2000 manual**

[renault megane haynes repair manual](#)

**renault grand scenic drivers manual**

**religious studies syllabus o level zimsec**

**remington model 61 manual**

**renault clio wiring diagram nt 8239 a**

**Owners Manual For 2004 Troybilt Mower :**

**math for grade 10 math practice tests worksheets quizzes** - Jul 02 2023

web grade 10 math practice questions tests teacher assignments teacher worksheets printable worksheets and other activities for singapore school math olympiad sat subject test math level 1 kangaroo sasmo and seamo

*everything maths grade 10 mathematics download link* - Jul 22 2022

web practical mathematics for beginners by frank castle macmillan and co from the table of contents arithmetic plane geometry algebra british and metric units logarithms slide rule ratios use of squared paper mensuration area of parallelogram triangle circumference of circle area of a circle etc 23877 views practical mathematics

**grade 10 maths maths lit practice papers and study guides** - Mar 18 2022

web oct 4 2016 here are the free ones grade 10 common papers maths maths lit 2017 mathematics common papers 2017 mathematics paper 1 memorandum 2017 mathematics paper 2 answer book 2017 mathematics paper 2 memorandum 2016 mathematics common papers 2016 mathematics paper 1 memorandum 2016



*everything maths by grade 10 mathematics siyavula* - Oct 05 2023

web everything maths mathematics is commonly thought of as being about numbers but mathematics is actually a language mathematics is the language that nature speaks to us in as we learn to understand and speak this language we can discover many of nature s secrets just as understanding

everything maths grade 10 teachers guide pdf scribd - Apr 30 2023

web 1 algebraic expressions 2 equations and inequalities 3 exponents 4 number patterns 5 functions 6 finance and growth 7 trigonometry 8 analytical geometry 9 statistics 10 probability 11 euclidean geometry 12 measurements science education is about more than physics chemistry and mathematics

*everything maths grade 10 teacher s guide* - Dec 27 2022

web everything maths grade 10 teacher s guide everything maths grade 10 teacher s guide starfall learn to read with phonics learn mathematics everything multiplication at multiplication com cool math free online cool math lessons cool math games pass gcse maths learn how to pass your maths gcse in 4 weeks xtramath math com world of

**grade 10 math lessons and practice intomath** - Feb 14 2022

web lesson 1 a system of linear equations lesson 2 quadratic function parabola lesson 3 triangle triangle properties lesson 4 coordinate geometry distance between points lesson 5 right triangle trigonometry trig ratios lesson 6 solving quadratic equations factoring and qf lesson 7 simplifying expressions with exponents

**written by siyavula and volunteers** - Feb 26 2023

web grade 10 mathematics version 1 1 caps written by siyavula and volunteers teacher s guide copyright notice you are allowed and encouraged to copy any of the everything maths and everything science textbooks you can legally photocopy any page or even the entire book

**everything maths grade10 pdf slideshare** - Sep 04 2023

web exponents 3 3 i t 1 2 3t 1 4 2 0 j 3p 3p 3p 27 k k 1 7k 1 2 18 0 l x 1 2 3x 1 4 18 0 more practice video solutions or help at everythingmaths co za 1 00f3 2 00f4 focus area mathematics 95 everything maths grade10 download as a pdf or view online for free

open textbooks siyavula - Mar 30 2023

web open textbooks offered by siyavula to anyone wishing to learn maths and science homepractice for learners and parentsfor teachers and schools past paperstextbooks mathematics mathematics grade 7mathematics grade 8mathematics grade 9mathematics grade 10mathematics grade 11mathematics grade 12 mathematical

**maths grade 10 pdf fraction mathematics numbers scribd** - Jan 28 2023

web maths grade 10 free ebook download as pdf file pdf text file txt or read book online for free iv everything maths

mathematics is commonly thought of as being about numbers but mathematics is actually a language mathematics is the language that nature speaks to us in

**excel in maths science siyavula** - Jun 20 2022

web download the free pdf version of the grade 10 mathematics textbook by siyavula a south african organisation that provides open and quality education resources the textbook covers all the topics in the caps curriculum with exercises examples and solutions

**new caps everything maths grade 10 pdf fraction mathematics** - May 20 2022

web oct 12 2014 everything maths mathematics is commonly thought of as being about numbers but mathematics is actually a language mathematics is the language that nature speaks to us in as we learn to understand and speak this language we can discover many of natures secrets

**siyavula everything maths grade 10 mathematics version 1** - Aug 23 2022

web aug 6 2018 siyavula everything maths grade 10 mathematics version 1 caps pdf file size 3 40 mb added by k 08 06 2018 08 23 info modified 08 15 2018 17 33 written by volunteers republic of south africa department of basic education shuttleworth 452 p more than a regular textbook everything maths is not just a mathematics textbook

*siyavula math grade 10 pdf scribd* - Nov 25 2022

web siyavula math grade 10 free ebook download as pdf file pdf text file txt or read book online for free scribd is the world s largest social reading and publishing site

**everything maths grade 10 mathematics download link e** - Oct 25 2022

web everything maths grade 10 mathematics from the table of contents algebraic expressions equations and inequalities exponents number patterns functions finance and growth trigonometry analytical geometry statistics probability euclidean geometry measurements exercise solutions

**excel in maths science siyavula** - Apr 18 2022

web mathematics grades 8 12 and physical sciences grades 10 12 siyavula for learners with our unlimited questions full solutions and instant feedback you can master mathematics and physical sciences

**everything maths grade 10 free download pdf issuhub** - Aug 03 2023

web everything maths grade 10 mathematics version 1 1 caps written by siyavula and volunteers teacher s guide

[mathematics grade 10 table of contents siyavula](#) - Jun 01 2023

web mathematics grade 10 chapter 1 algebraic expressions 1 1 introduction 1 2 the real number system 1 3 rational and irrational numbers 1 4 rounding off 1 5 estimating surds 1 6 products 1 7 factorisation 1 8 simplification of fractions 1 9 chapter summary

**everything maths grade 10 yumpu** - Sep 23 2022

web everything maths grade 10

*this land 9781421407814 9780801889172 vitalsource* - Dec 12 2022

this land the battle over sprawl and the future of america is written by anthony flint and published by jhup the digital and etextbook isbns for this land are 9780801889172 0801889170 and the print isbns are 9781421407814 1421407817 save up to 80 versus print by going digital with vitalsource

**this land the battle over sprawl and the future of america** - Jan 13 2023

a veteran journalist who covered planning development and housing for the boston globe for sixteen years and a visiting scholar in 2005 at the harvard design school flint reveals some surprising truths about the future and how we live in this land [this land the battle over sprawl and the future of america by](#) - Oct 10 2022

sep 15 2012 this land the battle over sprawl and the future of america 312 by anthony flint editorial reviews read an excerpt of this book add to wishlist this land the battle over sprawl and the future of america 312 by anthony flint editorial reviews paperback updated 30 00

**this land the battle over sprawl and the future of america** - Aug 20 2023

apr 21 2006 this land the battle over sprawl and the future of america hardcover illustrated april 21 2006 despite a modest revival in city living americans are spreading out more than ever into exurbs and boomburbs miles

**this land the battle over sprawl and the future of america** - Jun 06 2022

buy this land the battle over sprawl and the future of america illustrated by flint anthony isbn 9781421407814 from amazon s book store everyday low prices and free delivery on eligible orders this land the battle over sprawl and the future of america amazon co uk flint anthony 9781421407814 books

*this land hopkins press* - May 17 2023

sep 15 2012 this land is an important discussion of the future of america its cities and what lies outside of it midwest book review with evidence growing regarding the impact of density on innovation and economic growth anthony flint s excellent this land couldn t come along at a

**what are the roots of the israel palestine conflict** - Apr 04 2022

oct 13 2023 the six day war was a spectacular military success for israel its capture of all of jerusalem and newly acquired control over the biblical lands called judea and samaria in israel opened the way

**this land the battle over sprawl and the future of** - Sep 21 2023

author s flint anthony abstract in a calorie conscious word sprawl beckons like a hot fudge sundae begins anthony flint in this land the battle over sprawl and the future of america his analysis of the different forces that shape land use patterns in the

united states

**this land the battle over sprawl and the future of america** - Feb 02 2022

this land the battle over sprawl and the future of america ebook flint anthony amazon in kindle store

**project muse this land** - Mar 15 2023

this land the battle over sprawl and the future of america book anthony flint 2006 published by johns hopkins university press  
view buy this book in print summary despite a modest revival in city living americans are spreading out more than ever into  
exurbs and boomburbs miles from anywhere in big houses in big subdivisions

**book review this land the battle over sprawl and the future of** - Nov 11 2022

may 1 2007 book review this land the battle over sprawl and the future of america by anthony flint baltimore johns hopkins  
university press 2006 298 pp 24 95 cloth tom urbaniak

**this land the battle over sprawl and the future of america** - Apr 16 2023

jul 1 2006 sprawl is bread and butter for these business interests a vocal contingent of commentators and researchers often  
supported by foundations and think tanks has emerged to do battle against smart growth proponents some of them make  
extreme charges

*this land the battle over sprawl and the future of america google books* - Jun 18 2023

may 10 2006 in this land veteran journalist and harvard scholar anthony flint tells the untold story of development in  
america it is the story of a burgeoning anti sprawl movement a 1960s style

*israel faces the danger of fighting on a second front the economist* - Jul 07 2022

oct 13th 2023 share a s israel orders an evacuation of gaza and prepares to invade it there are ominous signals on its  
northern border with lebanon where the opening of a second front would

**this land the battle over sprawl and the future of america** - Sep 09 2022

select search scope currently catalog all catalog articles website more in one search catalog books media more in the  
stanford libraries collections articles journal articles other e resources

**this land the battle over sprawl and the future of america** - May 05 2022

select the department you want to search in

*this land the battle over sprawl and the future of america goodreads* - Jul 19 2023

apr 10 2006 this land tells the untold story of development in america how the landscape is shaped by a furious clash of  
political economic and cultural forces it is the story of burgeoning anti sprawl movement a 1960s style revolution of

**this land the battle over sprawl and the future of america** - Feb 14 2023

this land tells the untold story of development in america how the landscape is shaped by a furious clash of political economic

and cultural forces it is the story of burgeoning anti sprawl movement a 1960s style revolution of new urbanism smart growth and green building

[this land the battle over sprawl and the future of america](#) - Mar 03 2022

this land the battle over sprawl and the future of america ebook flint anthony amazon com au kindle store

[this land the battle over sprawl and the future of america](#) - Aug 08 2022

jan 1 2006 this land the battle over sprawl and the future of america january 2006 doi authors anthony flint request full text abstract despite a modest revival in city living americans are spreading

**eleventh grade grade 11 accounting questions helpteaching** - Dec 20 2021

web you can create printable tests and worksheets from these grade 11 accounting questions select one or more questions using the checkboxes above each question then click the

[cambridge accounting workbook answers hodder education](#) - Sep 09 2023

web 11 i share capital does not have to be repaid the finance represents permanent capital debentures have a fixed repayment date ii dividends do not have to be paid

[accounting workbook section 1 answers pdf debits and](#) - Oct 10 2023

web accounting workbook section 1 answers free download as pdf file pdf text file txt or read online for free igcse accounting cambridge catherince coucon

**samacheer kalvi 11th accountancy guide book answers solutions** - Feb 19 2022

web mar 12 2021 tamilnadu state board samacheer kalvi 11th accountancy book back answers solutions guide chapter 1

introduction to accounting chapter 2 conceptual

*century 21 accounting 11th edition textbook solutions chegg* - Feb 02 2023

web how is chegg study better than a printed century 21 accounting 11th edition student solution manual from the bookstore our interactive player makes it easy to find

[answer key chapter 11 principles of accounting volume 1](#) - Jul 27 2022

web 11 1 distinguish between tangible and intangible assets 11 2 analyze and classify capitalized costs versus expenses 11 3 explain and apply depreciation methods to

[accounting 11 student workbook answers](#) - Oct 30 2022

web accounting 11 student workbook answers that you are looking for it will unconditionally squander the time however below in imitation of you visit this web page it will be

**century 21 accounting 11th edition textbook solutions bartleby** - Mar 03 2023

web textbook solutions for century 21 accounting 11th edition gilbertson and others in this series view step by step

homework solutions for your homework ask our subject

**accounting 11 student workbook answers** - Nov 18 2021

web feasible you could speedily download this accounting 11 student workbook answers after getting deal so once you require the book swiftly you can straight get it its

**printable worksheets class 11 accountancy pdf download** - Apr 23 2022

web click below links to free download the full set of free solved worksheets and test papers access free cbse ncert printable worksheets for standard 11 with answers prepared

**century 21 accounting advanced 11th edition quizlet** - Apr 04 2023

web our resource for century 21 accounting advanced includes answers to chapter exercises as well as detailed information to walk you through the process step by step with expert

**accounting workbook grade 11 special answer sheets for new** - Aug 28 2022

web accounting workbook grade 11 special answer sheets for new generation accounting for grade 11 and 12 learners a simplified approach

*accounting 11 student workbook answers pdf webster mei* - May 25 2022

web grade 11 accounting essentials course preview intermediate accounting 1 chapter 11 flashcards quizlet accounting basics workbook volume 2 michael a baf3m

osbc accounting 11 version 03 print - Nov 30 2022

web accounting 11 version 03 print this introductory course is designed for those students seeking entry level employment skills or personal skills students will gain insights into

**accounting textbook answers solutions w explanations** - Jul 07 2023

web stuck on a problem set we ll walk you through your textbook questions with educator verified solutions and step by step explanations for accounting textbooks

*igsce accounting answers pearson* - Aug 08 2023

web 4 in the public interest means that accountants must present accounts in a true and fair view 5 by following the codes of conduct and following the rules 6 payroll book

**accounting 11 student workbook answers pdf pivotid uvu** - Jun 25 2022

web accounting 11 student workbook answers accounting 11 student workbook answers 3 downloaded from pivotid uvu edu on 2020 07 08 by guest balance and errors 16

*century 21 accounting general journal 11th edition quizlet* - May 05 2023

web now with expert verified solutions from century 21 accounting general journal 11th edition you ll learn how to solve your

toughest homework problems our resource for

**accounting textbook solutions and answers chegg com** - Jun 06 2023

web view 772 solutions accounting chapters 1 15 financial chapters student value edition myaccountinglab with pearson etext instant access for accounting

accounting 11 student workbook answers accounting 11 student - Mar 23 2022

web 2011 08 03 1 3 accounting 11 student workbook answers accounting 11 student workbook answers pdf the mother tongue student workbook 1 answer key south

**full accounting questions and answers accounting basics for** - Sep 28 2022

web accounting basics workbook has 88 questions and exercises starting from the accounting equation and basic concepts to journal entries t accounts the trial balance

samacheer kalvi 11th accountancy book answers solutions guide - Jan 21 2022

web tamilnadu state board solutions for class 11th accountancy pdf is the best resource to learn and practice exercises have the best learning with chapterwise samacheer kalvi

**century 21 accounting general journal 11th edition textbook** - Jan 01 2023

web unlike static pdf century 21 accounting general journal 11th edition solution manuals or printed answer keys our experts show you how to solve each problem step by step no