

Standard Powertrain Limited Warranty

Standard Powertrain, Inc. warrants to our product to be free from defects in material and workmanship under normal use and service.

The warranty does not apply to any part which shall have been repaired or altered by anyone other than authorized agents of Standard Powertrain, Inc. nor to any component which is subject to normal wear, tear, or damage due to misuse, abuse, or neglect.

It is the responsibility of the user to properly maintain the product in accordance with the instructions provided in the operator's manual. Standard Powertrain, Inc. is not responsible for any damage to the product resulting from improper maintenance or use.

Standard Powertrain's responsibility under this warranty is limited to making good to the factory, or nearest to the owner, any part or parts of such product from Standard Powertrain, Inc. approved suppliers which shall be replaced or repaired without charge to the owner. This warranty does not cover any part of the product which is subject to normal wear, tear, or damage due to misuse, abuse, or neglect. Standard Powertrain, Inc. is not responsible for any damage to the product resulting from improper maintenance or use.

Our agents are responsible for getting our warranty to the customer. Standard Powertrain, Inc. is not responsible for any damage to the product resulting from improper maintenance or use.

A report for information under repair of any Standard Powertrain product may be obtained by contacting Standard Powertrain, Inc., Attention: Service, from whom it may be obtained without charge.

The Standard Powertrain Limited Warranty does not cover any other manufacturer's original equipment or accessories. Standard Powertrain, Inc. is not responsible for any damage to the product resulting from improper maintenance or use.

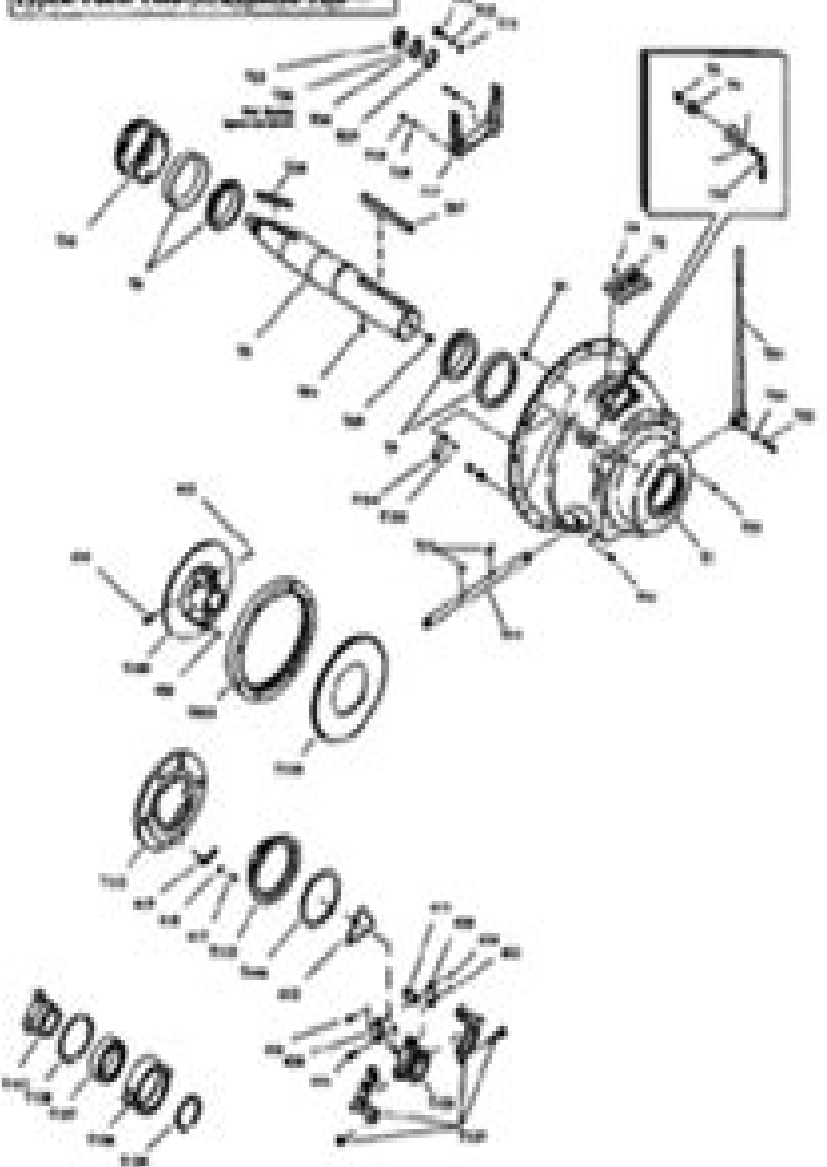
STANDARD POWERTRAIN LIMITED WARRANTY IS NOT VALID FOR PRODUCTS IN THE FOLLOWING COUNTRIES:

THE LIMITED WARRANTY IS AVAILABLE TO ALL OWNERS OF STANDARD POWERTRAIN PRODUCTS IN THE FOLLOWING COUNTRIES: CANADA, MEXICO, AND THE UNITED STATES OF AMERICA.

Typical Power Take-Off Part List

1000	1000	1000	1000
1001	1001	1001	1001
1002	1002	1002	1002
1003	1003	1003	1003
1004	1004	1004	1004
1005	1005	1005	1005
1006	1006	1006	1006
1007	1007	1007	1007
1008	1008	1008	1008
1009	1009	1009	1009
1010	1010	1010	1010
1011	1011	1011	1011
1012	1012	1012	1012
1013	1013	1013	1013
1014	1014	1014	1014
1015	1015	1015	1015
1016	1016	1016	1016
1017	1017	1017	1017
1018	1018	1018	1018
1019	1019	1019	1019
1020	1020	1020	1020
1021	1021	1021	1021
1022	1022	1022	1022
1023	1023	1023	1023
1024	1024	1024	1024
1025	1025	1025	1025
1026	1026	1026	1026
1027	1027	1027	1027
1028	1028	1028	1028
1029	1029	1029	1029
1030	1030	1030	1030
1031	1031	1031	1031
1032	1032	1032	1032
1033	1033	1033	1033
1034	1034	1034	1034
1035	1035	1035	1035
1036	1036	1036	1036
1037	1037	1037	1037
1038	1038	1038	1038
1039	1039	1039	1039
1040	1040	1040	1040
1041	1041	1041	1041
1042	1042	1042	1042
1043	1043	1043	1043
1044	1044	1044	1044
1045	1045	1045	1045
1046	1046	1046	1046
1047	1047	1047	1047
1048	1048	1048	1048
1049	1049	1049	1049
1050	1050	1050	1050

Typical Power Take-Off Exploded View



Rockford Pto Clutch Manual

Implement & Tractor



Rockford Pto Clutch Manual:

Technical Manual United States. War Department,1945 **Oliver Shop Manual** ,1958 **Light Utility Tractor Service Manual** ,1975 Public Works Manual ,1989 **I & T Shop Book** Implement & Tractor,1951 Power Transmission Design ,1973 **Farm Equipment Red Book** ,1961 **The Waterways Journal** ,1983-04 **Atlantic Fisherman** ,1987-05 *Implement & Tractor* ,1961 **I & T Shop Service** ,1982 *Diesel Equipment Superintendent* ,1961 **Power Farming in Australia and New Zealand Technical Manual** ,1970 **Power Trains** Deere & Co,1977 **The Tractor Field Book** ,1956 *Diesel and Gas Engine Catalog* ,1960 Farmers and Consumers Market Bulletin ,2004 *Diesel Power* ,1960 **Agricultural Engineering** ,1983 **Thomas Register of American Manufacturers and Thomas Register Catalog File** ,2002 Vols for 1970 71 includes manufacturers catalogs

The Top Books of the Year Rockford Pto Clutch Manual The year 2023 has witnessed a remarkable surge in literary brilliance, with numerous captivating novels captivating the hearts of readers worldwide. Lets delve into the realm of popular books, exploring the fascinating narratives that have enthralled audiences this year. Rockford Pto Clutch Manual : Colleen Hoover "It Ends with Us" This touching tale of love, loss, and resilience has captivated readers with its raw and emotional exploration of domestic abuse. Hoover expertly weaves a story of hope and healing, reminding us that even in the darkest of times, the human spirit can succeed. Rockford Pto Clutch Manual : Taylor Jenkins Reids "The Seven Husbands of Evelyn Hugo" This intriguing historical fiction novel unravels the life of Evelyn Hugo, a Hollywood icon who defies expectations and societal norms to pursue her dreams. Reids captivating storytelling and compelling characters transport readers to a bygone era, immersing them in a world of glamour, ambition, and self-discovery. Discover the Magic : Delia Owens "Where the Crawdads Sing" This mesmerizing coming-of-age story follows Kya Clark, a young woman who grows up alone in the marshes of North Carolina. Owens spins a tale of resilience, survival, and the transformative power of nature, captivating readers with its evocative prose and mesmerizing setting. These bestselling novels represent just a fraction of the literary treasures that have emerged in 2023. Whether you seek tales of romance, adventure, or personal growth, the world of literature offers an abundance of captivating stories waiting to be discovered. The novel begins with Richard Papen, a bright but troubled young man, arriving at Hampden College. Richard is immediately drawn to the group of students who call themselves the Classics Club. The club is led by Henry Winter, a brilliant and charismatic young man. Henry is obsessed with Greek mythology and philosophy, and he quickly draws Richard into his world. The other members of the Classics Club are equally as fascinating. Bunny Corcoran is a wealthy and spoiled young man who is always looking for a good time. Charles Tavis is a quiet and reserved young man who is deeply in love with Henry. Camilla Macaulay is a beautiful and intelligent young woman who is drawn to the power and danger of the Classics Club. The students are all deeply in love with Morrow, and they are willing to do anything to please him. Morrow is a complex and mysterious figure, and he seems to be manipulating the students for his own purposes. As the students become more involved with Morrow, they begin to commit increasingly dangerous acts. The Secret History is a masterful and suspenseful novel that will keep you speculating until the very end. The novel is a warning tale about the dangers of obsession and the power of evil.

https://crm.avenza.com/data/virtual-library/Download_PDFS/Sat_Math_Essentials_Papers_Xtremepapers.pdf

Table of Contents Rockford Pto Clutch Manual

1. Understanding the eBook Rockford Pto Clutch Manual
 - The Rise of Digital Reading Rockford Pto Clutch Manual
 - Advantages of eBooks Over Traditional Books
2. Identifying Rockford Pto Clutch Manual
 - Exploring Different Genres
 - Considering Fiction vs. Non-Fiction
 - Determining Your Reading Goals
3. Choosing the Right eBook Platform
 - Popular eBook Platforms
 - Features to Look for in an Rockford Pto Clutch Manual
 - User-Friendly Interface
4. Exploring eBook Recommendations from Rockford Pto Clutch Manual
 - Personalized Recommendations
 - Rockford Pto Clutch Manual User Reviews and Ratings
 - Rockford Pto Clutch Manual and Bestseller Lists
5. Accessing Rockford Pto Clutch Manual Free and Paid eBooks
 - Rockford Pto Clutch Manual Public Domain eBooks
 - Rockford Pto Clutch Manual eBook Subscription Services
 - Rockford Pto Clutch Manual Budget-Friendly Options
6. Navigating Rockford Pto Clutch Manual eBook Formats
 - ePub, PDF, MOBI, and More
 - Rockford Pto Clutch Manual Compatibility with Devices
 - Rockford Pto Clutch Manual Enhanced eBook Features
7. Enhancing Your Reading Experience
 - Adjustable Fonts and Text Sizes of Rockford Pto Clutch Manual
 - Highlighting and Note-Taking Rockford Pto Clutch Manual
 - Interactive Elements Rockford Pto Clutch Manual
8. Staying Engaged with Rockford Pto Clutch Manual

- Joining Online Reading Communities
 - Participating in Virtual Book Clubs
 - Following Authors and Publishers Rockford Pto Clutch Manual
9. Balancing eBooks and Physical Books Rockford Pto Clutch Manual
- Benefits of a Digital Library
 - Creating a Diverse Reading Collection Rockford Pto Clutch Manual
10. Overcoming Reading Challenges
- Dealing with Digital Eye Strain
 - Minimizing Distractions
 - Managing Screen Time
11. Cultivating a Reading Routine Rockford Pto Clutch Manual
- Setting Reading Goals Rockford Pto Clutch Manual
 - Carving Out Dedicated Reading Time
12. Sourcing Reliable Information of Rockford Pto Clutch Manual
- Fact-Checking eBook Content of Rockford Pto Clutch Manual
 - Distinguishing Credible Sources
13. Promoting Lifelong Learning
- Utilizing eBooks for Skill Development
 - Exploring Educational eBooks
14. Embracing eBook Trends
- Integration of Multimedia Elements
 - Interactive and Gamified eBooks

Rockford Pto Clutch Manual Introduction

In this digital age, the convenience of accessing information at our fingertips has become a necessity. Whether its research papers, eBooks, or user manuals, PDF files have become the preferred format for sharing and reading documents. However, the cost associated with purchasing PDF files can sometimes be a barrier for many individuals and organizations. Thankfully, there are numerous websites and platforms that allow users to download free PDF files legally. In this article, we will explore some of the best platforms to download free PDFs. One of the most popular platforms to download free PDF files is Project Gutenberg. This online library offers over 60,000 free eBooks that are in the public domain. From classic literature to

historical documents, Project Gutenberg provides a wide range of PDF files that can be downloaded and enjoyed on various devices. The website is user-friendly and allows users to search for specific titles or browse through different categories. Another reliable platform for downloading Rockford Pto Clutch Manual free PDF files is Open Library. With its vast collection of over 1 million eBooks, Open Library has something for every reader. The website offers a seamless experience by providing options to borrow or download PDF files. Users simply need to create a free account to access this treasure trove of knowledge. Open Library also allows users to contribute by uploading and sharing their own PDF files, making it a collaborative platform for book enthusiasts. For those interested in academic resources, there are websites dedicated to providing free PDFs of research papers and scientific articles. One such website is Academia.edu, which allows researchers and scholars to share their work with a global audience. Users can download PDF files of research papers, theses, and dissertations covering a wide range of subjects. Academia.edu also provides a platform for discussions and networking within the academic community. When it comes to downloading Rockford Pto Clutch Manual free PDF files of magazines, brochures, and catalogs, Issuu is a popular choice. This digital publishing platform hosts a vast collection of publications from around the world. Users can search for specific titles or explore various categories and genres. Issuu offers a seamless reading experience with its user-friendly interface and allows users to download PDF files for offline reading. Apart from dedicated platforms, search engines also play a crucial role in finding free PDF files. Google, for instance, has an advanced search feature that allows users to filter results by file type. By specifying the file type as "PDF," users can find websites that offer free PDF downloads on a specific topic. While downloading Rockford Pto Clutch Manual free PDF files is convenient, it's important to note that copyright laws must be respected. Always ensure that the PDF files you download are legally available for free. Many authors and publishers voluntarily provide free PDF versions of their work, but it's essential to be cautious and verify the authenticity of the source before downloading Rockford Pto Clutch Manual. In conclusion, the internet offers numerous platforms and websites that allow users to download free PDF files legally. Whether it's classic literature, research papers, or magazines, there is something for everyone. The platforms mentioned in this article, such as Project Gutenberg, Open Library, Academia.edu, and Issuu, provide access to a vast collection of PDF files. However, users should always be cautious and verify the legality of the source before downloading Rockford Pto Clutch Manual any PDF files. With these platforms, the world of PDF downloads is just a click away.

FAQs About Rockford Pto Clutch Manual Books

1. Where can I buy Rockford Pto Clutch Manual books? Bookstores: Physical bookstores like Barnes & Noble,

- Waterstones, and independent local stores. Online Retailers: Amazon, Book Depository, and various online bookstores offer a wide range of books in physical and digital formats.
2. What are the different book formats available? Hardcover: Sturdy and durable, usually more expensive. Paperback: Cheaper, lighter, and more portable than hardcovers. E-books: Digital books available for e-readers like Kindle or software like Apple Books, Kindle, and Google Play Books.
 3. How do I choose a Rockford Pto Clutch Manual book to read? Genres: Consider the genre you enjoy (fiction, non-fiction, mystery, sci-fi, etc.). Recommendations: Ask friends, join book clubs, or explore online reviews and recommendations. Author: If you like a particular author, you might enjoy more of their work.
 4. How do I take care of Rockford Pto Clutch Manual books? Storage: Keep them away from direct sunlight and in a dry environment. Handling: Avoid folding pages, use bookmarks, and handle them with clean hands. Cleaning: Gently dust the covers and pages occasionally.
 5. Can I borrow books without buying them? Public Libraries: Local libraries offer a wide range of books for borrowing. Book Swaps: Community book exchanges or online platforms where people exchange books.
 6. How can I track my reading progress or manage my book collection? Book Tracking Apps: Goodreads, LibraryThing, and Book Catalogue are popular apps for tracking your reading progress and managing book collections. Spreadsheets: You can create your own spreadsheet to track books read, ratings, and other details.
 7. What are Rockford Pto Clutch Manual audiobooks, and where can I find them? Audiobooks: Audio recordings of books, perfect for listening while commuting or multitasking. Platforms: Audible, LibriVox, and Google Play Books offer a wide selection of audiobooks.
 8. How do I support authors or the book industry? Buy Books: Purchase books from authors or independent bookstores. Reviews: Leave reviews on platforms like Goodreads or Amazon. Promotion: Share your favorite books on social media or recommend them to friends.
 9. Are there book clubs or reading communities I can join? Local Clubs: Check for local book clubs in libraries or community centers. Online Communities: Platforms like Goodreads have virtual book clubs and discussion groups.
 10. Can I read Rockford Pto Clutch Manual books for free? Public Domain Books: Many classic books are available for free as they're in the public domain. Free E-books: Some websites offer free e-books legally, like Project Gutenberg or Open Library.

Find Rockford Pto Clutch Manual :

sat math essentials papers xtremepapers

sanyo pro xtrax service manual

~~sanyo plc xp40 projectors owners manual~~

sas certification prep guide 3rd

~~sanyo wtc500a1 manual~~

sasuage gravy recipe

sarkonomics essai blanche

sap qm complete guide

sap2000 version 14 manual

sap instructor guide

sats booklet 2005 maths ks1

sat essay score guide

saraswati health and physical education chapters

~~sat essay scoring criteria~~

sats ksmaths marking scheme 2007

Rockford Pto Clutch Manual :

ripple tank definition of ripple tank by the free dictionary - Oct 24 2021

web define ripple tank ripple tank synonyms ripple tank pronunciation ripple tank translation english dictionary definition of ripple tank n see wave tank american

teacher guide ripple tank explorelearning download pdf - Jul 01 2022

web jul 30 2019 teacher guide ripple tank explorelearning github gist instantly share code notes and snippets

rippletankse key pdf ripple tank answer key vocabulary - Dec 26 2021

web 2 waves have crests high points and troughs points the wavelength of a wave is the distance between adjacent crests or troughs label the crests the trough and the

using ripple tanks iopspark - Nov 24 2021

web the concentrated light produces bright bands it takes time to set up ripple tanks properly if you are going to use a set of ripple tanks for a class experiment you may want to

teacher guide ripple tank explorelearning pdf ftp bonide - Dec 06 2022

web lesson materials archives page 3 of 3 explorelearning new ripple tank gizmo explorelearning pd blog teacher guide ripple tank explorelearning downloaded

teacher guide ripple tank explorelearning - Feb 25 2022

web teacher guide ripple tank explorelearning right here we have countless book teacher guide ripple tank explorelearning and collections to check out we additionally

teacher guide ripple tank explorelearning - Aug 02 2022

web teacher guide ripple tank explorelearning 1 teacher guide ripple tank explorelearning handbook of contemporary education economics selected papers

teacher guide ripple tank explorelearning - Jan 07 2023

web teacher guide ripple tank explorelearning gizmos explore learning teacher tutorial stem experiment ripple tank 10th class physics wave motion 10 3 and

teacher guide ripple tank explorelearning pdf - Jun 12 2023

web teacher guide ripple tank explorelearning webthis classroom resource guide is designed to inform students about the world s water resources and get them involved in

teacher guide ripple tank explorelearning pdf pdf - Apr 10 2023

web teacher guide ripple tank explorelearning pdf introduction teacher guide ripple tank explorelearning pdf pdf

teacher guide ripple tank explorelearning - May 31 2022

web this extraordinary book aptly titled teacher guide ripple tank explorelearning compiled by a highly acclaimed author immerses readers in a captivating exploration of

teacher guide ripple tank explorelearning ftp bonide - Mar 09 2023

web teacher guide ripple tank explorelearning downloaded from ftp bonide com by guest berry carlo those who can teach ascd bringing school to life place based

ripple tank gizmo explorelearning - Aug 14 2023

web ripple tank study wave motion diffraction interference and refraction in a simulated ripple tank a wide variety of scenarios can be chosen including barriers with one or

teacher guide ripple tank explorelearning pdf pdf red ortax - Feb 08 2023

web introduction teacher guide ripple tank explorelearning pdf pdf learning through practice stephen billett 2010 06 02 practice based learning the kind of

teacher guide ripple tank explorelearning old talentsprint com - Mar 29 2022

web teacher guide ripple tank explorelearning preaching as local theology and folk art a developmental series what award winning classroom teachers do selected papers

teacher guide ripple tank explorelearning book forms indiraedu - Oct 04 2022

web teacher guide ripple tank explorelearning book review unveiling the magic of language in an electronic digital era where connections and knowledge reign supreme

ripple tank gizmo explorelearning - Nov 05 2022

web the wavelength and strength of waves can be adjusted as well as the amount of damping in the tank is a charlottesville va based company that develops online solutions to

ripple tank gizmo explorelearning gizmos - Sep 03 2022

web teacher guide instructor only vocabulary sheet pdf ms word study wave motion diffraction interference and refraction in a simulated ripple tank a wide variety of

teacher guide ripple tank explorelearning - Jul 13 2023

web teacher guide ripple tank explorelearning a literary masterpiece penned by a renowned author readers set about a transformative journey unlocking the secrets and

teacher guide ripple tank explorelearning pdf pdf black ortax - Sep 22 2021

web whether you re a school administrator government official business leader parent teacher or entrepreneur you ll discover surprising new ideas outside the box

ripple tank worksheet teaching resources - Jan 27 2022

web jul 11 2021 file previews docx 51 88 kb in this worksheet students have a couple of multiple choice questions and an exercise to practice their graphic skills tes paid licence

pdf teacher guide ripple tank explorelearning pdf - May 11 2023

web sep 4 2023 merely said the teacher guide ripple tank explorelearning pdf is universally compatible with any devices to read how learning continued during the

teacher guide ripple tank explorelearning 2022 - Apr 29 2022

web 2 teacher guide ripple tank explorelearning 2021 05 16 math plan lessons with the goal of achievable challenge in mind reduce mistake anxiety with techniques such

abnormal psychology a south african perspective - Apr 12 2023

web jan 1 2009 the social and political implications of abnormal psychology are examined four different approaches are conceptualized in terms of the effects attributed to societal factors in the etiology

the concept of mental disorder an african perspective pmc - Oct 06 2022

web in africa the condition is hardly known njenga and kang ethe 2 reported on a study in kenya and concluded that in a cumulative period of 320 years of practice kenyan psychiatrists had seen twenty cases of anorexia nervosa
[mental health and behaviour in a south african context linkedin](#) - Jan 29 2022

web mar 20 2020 abnormal behaviour is defined as statistical deviance as well as extreme maladaptive behaviour that causes personal distress and in this article some approaches to behaviour are discussed
[african perspectives on mental disorder springerlink](#) - Feb 10 2023

web in africa as in europe north america south america asia and oceania the advantages of diagnostic classification of psychiatric disorders include 1 a means of communication and of ordering clinical material 2 the management treatment and care of patients 3 prognosis and 4 the great scientific interest found in discrepancies in
frontiers editorial african cultural models in psychology - Dec 28 2021

web feb 14 2022 editorial on the research topicafrican cultural models in psychology the overarching goal of african cultural models in psychology is to consider how one might address an important gap in mainstream psychological research insufficient inclusion of african perspectives in a field of study that largely represents western hegemony

abnormal psychology a south african perspective - Jun 14 2023

web abnormal psychology a south african perspective publication date 2012 topics psychology pathological mental illness south africa case studies publisher cape town republic of south africa oxford university press collection inlibrary printdisabled internetarchivebooks

[abnormal psychology an integrative approach south african](#) - May 01 2022

web abnormal psychology an integrative approach south african edition authors v durand author larise du plessis author conrad visser author david barlow author ebook english 2017 publisher cengage learning andover 2017

oxford university press abnormal psychology a south african - Aug 16 2023

web the second edition of abnormal psychology features new chapters on western and african aetiological models psychological manifestations of physical illness and mental wellness it includes south african research where relevant with a greater focus on analysing south african contexts

abnormal psychology a south african perspective - Jul 03 2022

web abnormal psychology a south african perspective author austin tracey lee isbn 9780195998375 edition 2nd ed publication information cape town oxford oxford university press 2012 physical description 1 volume illustrations 24 cm general note previous edition 2009 contents 1 psychological assessment and psychodiagnostics 2

abnormal psychology an integrative approach google books - Mar 11 2023

web apr 27 2017 this first south african edition of abnormal psychology an integrative approach offers students a local

version of this well known text by david barlow and v mark durand balancing biological psychological social and cultural approaches the ground breaking integrative approach followed is the most modern scientifically valid method for [abnormal psychology a south african perspective google books](#) - Jan 09 2023

web abnormal psychology a south african perspective highlights cultural variances pertinent to the understanding of abnormal psychology ensuring relevance to the south african context it includes a chapter on south african legislation on the management of people with disorders which includes applicable excerpts from the south african ethical code

psycopathology a sa perspective van schaik - May 13 2023

web this book is aimed at second and third year students following courses in psychopathology or abnormal psychology as part of a bachelor of arts or bachelor of social sciences degree at universities it has been written by academics

abnormal psychology a south african perspective 2nd edition - Feb 27 2022

web find all the study resources for abnormal psychology a south african perspective 2nd edition by t austin c bezuidenhout k botha e du plessis l du plessis l du plessis e jordan m lake m moletsane j nel b pillay g ure c visser b von krosigk a vorster we have 172 summaries and 5 courses related to this book on our website

abnormal psychology a south african perspective worldcat org - Dec 08 2022

web summary abnormal psychology provides a good introduction to the study of psychological disorders from a south african perspective the book refers to both international classification of diseases icd 10 and diagnostic and statistical manual of mental disorders dsm iv tr criteria to classify and define mental disorders print book

abnormal psychology a south african perspective goodreads - Jun 02 2022

web dec 1 2012 the second edition of abnormal psychology features new chapters on western and african aetiological models psychological manifestations of physical illness and mental wellness it includes south african research where relevant with a greater focus on analysing south african contexts

abnormal psychology a south african perspective google books - Jul 15 2023

web sep 27 2012 the second edition of abnormal psychology features new chapters on western and african aetiological models psychological manifestations of physical illness and mental wellness it includes

south african journal of psychology sage journals - Nov 07 2022

web sep 7 2023 the south african journal of psychology publishes peer reviewed contributions in english from all fields of psychology whilst the emphasis is on empirical research the journal also accepts theoretical and methodological papers review articles short view full journal description

[chapter 5 literature review exploring an african](#) - Aug 04 2022

web appear to apply to african caribbeans for example environmental factors appear to play a significant role in developing

psychotic symptoms in this population sharpley et al 2001 african perception is influenced by a profound sense of oneness and spirituality kwate 2005 in traditional african psychopathology dysfunction

abnormal psychology sherwood books - Mar 31 2022

web abnormal psychology provides a good introduction to the study of psychological disorders from a south african perspective the book refers to both international classification of diseases icd 10 and diagnostic and statistical manual of mental disorders dsm iv tr criteria to classify and define mental disorders

an overview of south african psychology pubmed - Sep 05 2022

web this overview of psychology in south africa presents a concise and historical account of its science and practice from its early origins in the late nineteenth century to the present and traces seminal influences on the discipline it is a review of how psychology in south africa developed over mo

translate from turkish to arabic tradukka - Feb 27 2022

web translate from turkish to arabic turkish arabic turkish arabic

[turkish to arabic dictionary o apps on google play](#) - Jan 29 2022

web aug 29 2023 the turkish to arabic dictionary application will accurately translate each word from turkish to arabic or turkish arabic from our modernized information base of turkish just as arabic the spellings will be beneath the words for upsetting any issue from articulating or composing the words

turkish arabic translator cambridge cambridge dictionary - May 13 2023

web translation dictionaries check your understanding of english words with definitions in your own language using cambridge s corpus informed translation dictionaries and the

in arabic turkish arabic dictionary glosbe - Sep 05 2022

web check translations into arabic look through examples of translation in sentences listen to pronunciation and learn grammar

arabic turkish dictionary apps on google play - Jan 09 2023

web aug 24 2023 you can search arabic turkish and turkish arabic tevakku dictionary contains 570 000 words and phrases why tevakku arabic turkish dictionary instant search you can see results

pons arabic turkish translator pons online dictionary - May 01 2022

web use the free arabic turkish translator from pons translate words phrases texts instantly in 38 languages

google translate - Jun 14 2023

web google s service offered free of charge instantly translates words phrases and web pages between english and over 100 other languages

turkish arabic dictionary serdar mutçali dagarcik İhvan - Aug 04 2022

web turkish arabic dictionary serdar mutçali dagarcik article and in order for the student to find the word he she must have the consumable information that can know that the letters t and o in the word are derived and in an alphabetical dictionary it is enough to search for v o respectively

turkish arabic translation - Mar 31 2022

web turkish arabic translation dictionary text to speech detect language back translation decoder keyboard spelling compare translation translate and listen download extension translation dictionary

download book turkish arabic dictionary pdf noor library - Apr 12 2023

web dictionary turkish arabic two colors turkish arabic dictionary bagarcik turkish arabic dictionary with pronunciation arabic turkish arab turkish relations turkish and arabic turkish arab relations teaching the turkish language to the arabs turkish dictionary arab turkish economic relations music and dance arabic and turkish music turkish for

turkish arabic dictionary arabic translation reverso - Aug 16 2023

web r everso offers you the best tool for learning arabic the turkish arabic dictionary containing commonly used words and expressions along with thousands of turkish entries and their arabic translation added in the dictionary by our users

[translate from turkish to arabic online yandex translate](#) - Feb 10 2023

web translate from turkish to arabic online a free and easy to use translation tool simply enter your text and yandex translate will provide you with a quick and accurate translation in seconds try yandex translate for your turkish to arabic translations today and experience seamless communication

📱📱📱📱📱📱 apps on google play - Dec 08 2022

web aug 29 2023 turkish arabic dictionary application without a speaking internet is a double simultaneous and professional translation dictionary so that translation from arabic into turkish also allows

📱📱📱📱📱📱 apps on google play - Jun 02 2022

web apr 3 2023 dictionary and translation of arabic turkish free dictionary comprehensive and easy to learn contemporary turkish it includes translate words and phrases arabic dictionary

[turkish arabic dictionary on the app store](#) - Oct 06 2022

web the free offline turkish arabic dictionary internet connection is not required if you want to learn turkish or arabic the most effective way there s no better choice than boyota lab boyota lab shows the definition meaning of turkish or arabic words as pop up without opening dictionary app ever

turkish arabic apps on google play - Jul 03 2022

web feb 11 2023 everything you need to learn turkish arabic vocabulary quickly arabic turkish dictionary it can instantly

