



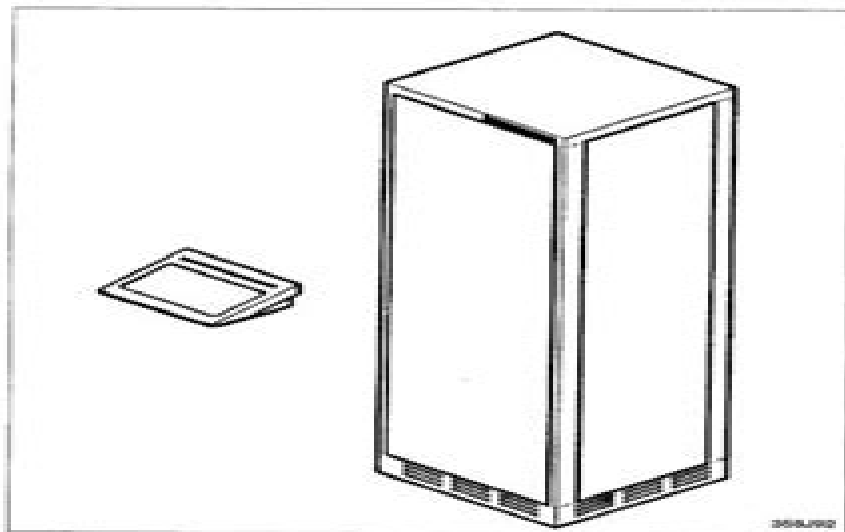
PHILIPS

Philips Medical Systems
Development and Manufacturing Centre

**SERVICE MANUAL
742
SUBSYSTEM**

OPTIMUS 50/65/80

9890 000 02012



CAN-controlled X-ray generator of the converter type

DMC Hamburg

Printed in Hamburg
Federal Republic of Germany

© 1995 Philips Medical Systems
ALL RIGHTS RESERVED

Manual Order No. 4512 103 58276

OPTIMUS

(e/96.2)

INTRODUCTION AND TECHNICAL DATA

1



INSTALLATION

2



FAULT FINDING

3



REPLACEMENT

4



PROGRAMMINGS

5



ADJUSTMENTS

6



ACCEPTANCE

7



SERVICE INFORMATION

8



PARTS LIST

P



SCHEMATIC DRAWINGS

Z1-



WIRING DIAGRAMS

Z2-



Philips 32pfl9632d10 Service Manual

Michael Brown



Philips 32pfl9632d10 Service Manual:

Yeah, reviewing a book **Philips 32pfl9632d10 Service Manual** could add your close contacts listings. This is just one of the solutions for you to be successful. As understood, feat does not suggest that you have astounding points.

Comprehending as competently as conformity even more than additional will offer each success. next to, the revelation as capably as sharpness of this Philips 32pfl9632d10 Service Manual can be taken as with ease as picked to act.

https://crm.avenza.com/About/Resources/fetch.php/Repair_Manual_Kawasaki_636r.pdf

Table of Contents Philips 32pfl9632d10 Service Manual

1. Understanding the eBook Philips 32pfl9632d10 Service Manual
 - The Rise of Digital Reading Philips 32pfl9632d10 Service Manual
 - Advantages of eBooks Over Traditional Books
2. Identifying Philips 32pfl9632d10 Service Manual
 - Exploring Different Genres
 - Considering Fiction vs. Non-Fiction
 - Determining Your Reading Goals
3. Choosing the Right eBook Platform
 - Popular eBook Platforms
 - Features to Look for in an Philips 32pfl9632d10 Service Manual
 - User-Friendly Interface
4. Exploring eBook Recommendations from Philips 32pfl9632d10 Service Manual
 - Personalized Recommendations
 - Philips 32pfl9632d10 Service Manual User Reviews and Ratings
 - Philips 32pfl9632d10 Service Manual and Bestseller Lists
5. Accessing Philips 32pfl9632d10 Service Manual Free and Paid eBooks
 - Philips 32pfl9632d10 Service Manual Public Domain eBooks
 - Philips 32pfl9632d10 Service Manual eBook Subscription Services

- Philips 32pfl9632d10 Service Manual Budget-Friendly Options
- 6. Navigating Philips 32pfl9632d10 Service Manual eBook Formats
 - ePub, PDF, MOBI, and More
 - Philips 32pfl9632d10 Service Manual Compatibility with Devices
 - Philips 32pfl9632d10 Service Manual Enhanced eBook Features
- 7. Enhancing Your Reading Experience
 - Adjustable Fonts and Text Sizes of Philips 32pfl9632d10 Service Manual
 - Highlighting and Note-Taking Philips 32pfl9632d10 Service Manual
 - Interactive Elements Philips 32pfl9632d10 Service Manual
- 8. Staying Engaged with Philips 32pfl9632d10 Service Manual
 - Joining Online Reading Communities
 - Participating in Virtual Book Clubs
 - Following Authors and Publishers Philips 32pfl9632d10 Service Manual
- 9. Balancing eBooks and Physical Books Philips 32pfl9632d10 Service Manual
 - Benefits of a Digital Library
 - Creating a Diverse Reading Collection Philips 32pfl9632d10 Service Manual
- 10. Overcoming Reading Challenges
 - Dealing with Digital Eye Strain
 - Minimizing Distractions
 - Managing Screen Time
- 11. Cultivating a Reading Routine Philips 32pfl9632d10 Service Manual
 - Setting Reading Goals Philips 32pfl9632d10 Service Manual
 - Carving Out Dedicated Reading Time
- 12. Sourcing Reliable Information of Philips 32pfl9632d10 Service Manual
 - Fact-Checking eBook Content of Philips 32pfl9632d10 Service Manual
 - Distinguishing Credible Sources
- 13. Promoting Lifelong Learning
 - Utilizing eBooks for Skill Development
 - Exploring Educational eBooks
- 14. Embracing eBook Trends

- Integration of Multimedia Elements
- Interactive and Gamified eBooks

Philips 32pfl9632d10 Service Manual Introduction

Free PDF Books and Manuals for Download: Unlocking Knowledge at Your Fingertips In today's fast-paced digital age, obtaining valuable knowledge has become easier than ever. Thanks to the internet, a vast array of books and manuals are now available for free download in PDF format. Whether you are a student, professional, or simply an avid reader, this treasure trove of downloadable resources offers a wealth of information, conveniently accessible anytime, anywhere. The advent of online libraries and platforms dedicated to sharing knowledge has revolutionized the way we consume information. No longer confined to physical libraries or bookstores, readers can now access an extensive collection of digital books and manuals with just a few clicks. These resources, available in PDF, Microsoft Word, and PowerPoint formats, cater to a wide range of interests, including literature, technology, science, history, and much more. One notable platform where you can explore and download free Philips 32pfl9632d10 Service Manual PDF books and manuals is the internet's largest free library. Hosted online, this catalog compiles a vast assortment of documents, making it a veritable goldmine of knowledge. With its easy-to-use website interface and customizable PDF generator, this platform offers a user-friendly experience, allowing individuals to effortlessly navigate and access the information they seek. The availability of free PDF books and manuals on this platform demonstrates its commitment to democratizing education and empowering individuals with the tools needed to succeed in their chosen fields. It allows anyone, regardless of their background or financial limitations, to expand their horizons and gain insights from experts in various disciplines. One of the most significant advantages of downloading PDF books and manuals lies in their portability. Unlike physical copies, digital books can be stored and carried on a single device, such as a tablet or smartphone, saving valuable space and weight. This convenience makes it possible for readers to have their entire library at their fingertips, whether they are commuting, traveling, or simply enjoying a lazy afternoon at home. Additionally, digital files are easily searchable, enabling readers to locate specific information within seconds. With a few keystrokes, users can search for keywords, topics, or phrases, making research and finding relevant information a breeze. This efficiency saves time and effort, streamlining the learning process and allowing individuals to focus on extracting the information they need. Furthermore, the availability of free PDF books and manuals fosters a culture of continuous learning. By removing financial barriers, more people can access educational resources and pursue lifelong learning, contributing to personal growth and professional development. This democratization of knowledge promotes intellectual curiosity and empowers individuals to become lifelong learners, promoting progress and innovation in various fields. It is worth noting that while accessing free Philips 32pfl9632d10 Service Manual PDF books and manuals is convenient and cost-effective, it is vital

to respect copyright laws and intellectual property rights. Platforms offering free downloads often operate within legal boundaries, ensuring that the materials they provide are either in the public domain or authorized for distribution. By adhering to copyright laws, users can enjoy the benefits of free access to knowledge while supporting the authors and publishers who make these resources available. In conclusion, the availability of Philips 32pfl9632d10 Service Manual free PDF books and manuals for download has revolutionized the way we access and consume knowledge. With just a few clicks, individuals can explore a vast collection of resources across different disciplines, all free of charge. This accessibility empowers individuals to become lifelong learners, contributing to personal growth, professional development, and the advancement of society as a whole. So why not unlock a world of knowledge today? Start exploring the vast sea of free PDF books and manuals waiting to be discovered right at your fingertips.

FAQs About Philips 32pfl9632d10 Service Manual Books

1. Where can I buy Philips 32pfl9632d10 Service Manual books? Bookstores: Physical bookstores like Barnes & Noble, Waterstones, and independent local stores. Online Retailers: Amazon, Book Depository, and various online bookstores offer a wide range of books in physical and digital formats.
2. What are the different book formats available? Hardcover: Sturdy and durable, usually more expensive. Paperback: Cheaper, lighter, and more portable than hardcovers. E-books: Digital books available for e-readers like Kindle or software like Apple Books, Kindle, and Google Play Books.
3. How do I choose a Philips 32pfl9632d10 Service Manual book to read? Genres: Consider the genre you enjoy (fiction, non-fiction, mystery, sci-fi, etc.). Recommendations: Ask friends, join book clubs, or explore online reviews and recommendations. Author: If you like a particular author, you might enjoy more of their work.
4. How do I take care of Philips 32pfl9632d10 Service Manual books? Storage: Keep them away from direct sunlight and in a dry environment. Handling: Avoid folding pages, use bookmarks, and handle them with clean hands. Cleaning: Gently dust the covers and pages occasionally.
5. Can I borrow books without buying them? Public Libraries: Local libraries offer a wide range of books for borrowing. Book Swaps: Community book exchanges or online platforms where people exchange books.
6. How can I track my reading progress or manage my book collection? Book Tracking Apps: Goodreads, LibraryThing, and Book Catalogue are popular apps for tracking your reading progress and managing book collections. Spreadsheets: You can create your own spreadsheet to track books read, ratings, and other details.

7. What are Philips 32pfl9632d10 Service Manual audiobooks, and where can I find them? Audiobooks: Audio recordings of books, perfect for listening while commuting or multitasking. Platforms: Audible, LibriVox, and Google Play Books offer a wide selection of audiobooks.
8. How do I support authors or the book industry? Buy Books: Purchase books from authors or independent bookstores. Reviews: Leave reviews on platforms like Goodreads or Amazon. Promotion: Share your favorite books on social media or recommend them to friends.
9. Are there book clubs or reading communities I can join? Local Clubs: Check for local book clubs in libraries or community centers. Online Communities: Platforms like Goodreads have virtual book clubs and discussion groups.
10. Can I read Philips 32pfl9632d10 Service Manual books for free? Public Domain Books: Many classic books are available for free as they're in the public domain. Free E-books: Some websites offer free e-books legally, like Project Gutenberg or Open Library.

Find Philips 32pfl9632d10 Service Manual :

repair manual kawasaki 636r

[repair scratched lcd screen](#)

repair manual sony hcd rxd9 mini hi fi component system

[repair manual ktm 125 sx](#)

[repair manual for vauxhall zafira 2015](#)

[repair manual john deere 1107](#)

repair manual mazda mpv 2005

repair windows vista without cd

[report application server failed](#)

repair manual yamaha xt 600

repair manual for grandis chariot

[repair manual volvo c70](#)

~~[repair manual maytag washing machine](#)~~

[report a stolen lexus gs430](#)

repair manual ford focus se zetec 2000 torren

Philips 32pfl9632d10 Service Manual :

engineering question papers of solapur university 2023 2024 - Jul 31 2023

web mar 1 2017 engineering question papers of solapur university 2023 2024 discuss here about engineering question papers of solapur university and get the latest updates engineering question papers of solapur university detailed information at

solapur university mechanical engineering question papers pdf - Oct 22 2022

web apr 22 2023 solapur university mechanical engineering question papers is available in our digital library an online access to it is set as public so you can download it instantly

question papers examination punyashlok university of solapur - Sep 01 2023

web event for question paper question paper of oct 2022 click here question paper of oct 2019 click here question paper of march 2019 click here question paper of oct 2018

solapur university mechanical engineering question papers - Sep 20 2022

web jun 21 2023 right here we have countless ebook solapur university mechanical engineering question papers and collections to check out we additionally offer variant types and afterward type of the books to browse the pleasing book fiction history novel scientific research as capably as various supplementary sorts of books are readily

solapur university mechanical engineering question papers - May 17 2022

web solapur university mechanical engineering question papers orientation sutd edu sg author fabio graebner orientation sutd edu sg subject solapur university mechanical engineering question papers orientation sutd edu sg keywords amcat sample papers 2012 2013 with answers solutions central university of punjab entrance exam

solapur university mechanical engineering question papers uniport edu - Jul 19 2022

web jul 4 2023 question papers this is likewise one of the factors by obtaining the soft documents of this solapur university mechanical engineering question papers by online

fe engineering question papers of solapur university 2023 - Nov 22 2022

web feb 28 2017 fe engineering question papers of solapur university 2023 2024 discuss here about fe engineering question papers of solapur university and get the latest updates fe engineering question papers of solapur university detailed information at eduvark

faculty of engineering punyashlok ahilyadevi holkar university solapur - Dec 24 2022

web m e ii mechanical thermal engineering m e ii mechanical cad cam m e ii mechanical engineering m e ii mechanical design engineering m e ii electronics engineering m e ii biomedical engineering m e ii computer science engineering m e ii electronics telecommunication engg m e ii digital electronics

[solapur university question paper 2023 getmyuni](#) - Jan 25 2023

web jul 24 2023 the page shows a list of the solapur university question paper 2023 or the previous year s question paper the required information can be downloaded from the webpage benefits of solapur university question paper

[solapur university question paper 2023 download ug pg old paper](#) - Apr 15 2022

web jan 7 2023 solapur university question paper 2023 candidates can download all ug pg courses previous year model sample practice paper 2019 2018 2017 sign in welcome log into your account engineering jee main question paper 2024 check previous year jee main paper model sample paper here august 29 2023

solapur university old question papers download pdfs of - Mar 27 2023

web the question paper repository is quite expansive and has been updated latest by october 2019 check here solapur university admissions 2020 the repository of question papers are arranged separately for each faculty faculty of humanities faculty of interdisciplinary studies faculty of science technology and faculty of commerce and

solapur university mechanical engineering question papers - Jun 17 2022

web solapur university mechanical engineering question papers isro apprentice syllabus 2018 graduate technician elect mech cs civil isro scientist engineer recruitment 2018 form 87 elect mech cs jobs isro scientist engineer syllabus 2018 isro sc question papers cs mech elec

solapur university question papers all courses all semester solapur - May 29 2023

web our website will provide you solapur university me sample paper solapur university old paper solapur university previous year paper solapur university question paper solapur university old papers solapur university last year papers

[solapur university pahsus question papers pdf download](#) - Apr 27 2023

web solapur university pahsus question papers pdf download ug pg courses here you can find out punyashlok ahilyadevi holkar solapur university pahsus solved question paper of the year 2022 2021 2020 2019 2018 2017 also you can download this pahsus question paper in pdf format

solapur university mechanical engineering question papers - Aug 20 2022

web solapur university mechanical engineering question papers amcat sample papers 2012 2013 with answers solutions may 11th 2018 amcat sample papers 2012 2013 with answers solutions questions for mba mca it and engineers model question papers and previous years old question papers

[question bank examination punyashlok university of solapur](#) - Mar 15 2022

web bachelor of engineering fe self learning common for all branch i civil engineering ii mechanical engineering iii electronics engineering iv elec tel comm engineering v computer sci engineering vi information technology vii electrical engineering viii bio medical engineering ix electrical electronics engg

[solapur university previous year paper sample paper model paper](#) - Jun 29 2023

web here you can download sample paper for solapur university solapur bba solapur university bba last year papers solapur university bba previous year papers in pdf file following are links to download these paper in pdf file

solapur university mechanical engineering question papers - Jan 13 2022

web apr 14 2023 solapur university mechanical engineering question papers is available in our book collection an online access to it is set as public so you can get it instantly

syllabus mechanical engineering - Feb 23 2023

web punyashlok ahilyadevi holkar solapur university solapur naac accredited2015 grade gpa2 62 name of the faculty science technology choice based credit system cbcs syllabus mechanical engineering fname of the course inal yearb tech syllabus to be implemented from w e f june 2021 2022 1

question paper of oct 2019 examination university of solapur - Feb 11 2022

web bachelor of engineering fe self learning common for all branch i civil engineering ii mechanical engineering iii electronics engineering iv elec tel comm engineering v computer sci engineering vi information technology vii electrical engineering viii bio medical engineering ix electrical electronics engg

nba 75 at no 24 giannis antetokounmpo has become one the athletic - Oct 13 2022

jan 18 2022 while antetokounmpo is the youngest player on the athletic s list his placement on the list is no mistake in his first eight nba seasons antetokounmpo has appeared in five nba all star games

giannis antetokounmpo young sports greats library binding - Aug 23 2023

jul 30 2018 giannis antetokounmpo young sports greats machajewski sarah 9781538330432 amazon com books

[lillard giannis unite to make bucks an nba title threat](#) - Apr 07 2022

2 days ago damian lillard and giannis antetokounmpo two of the nba s top scorers have united into a dynamic duo that make the milwaukee bucks a formidable threat for the 2024 nba title

giannis antetokounmpo wikipedia - May 20 2023

highly athletic and versatile antetokounmpo is often recognized as one of the best all around players in the nba and many analysts have declared him positionless and as embodying the future of the league

giannis antetokounmpo sarah machajewski google books - Jul 10 2022

jul 15 2018 giannis antetokounmpo young sports greats author sarah machajewski publisher the rosen publishing group inc 2018 isbn 153833044x 9781538330449 length 24 pages subjects

giannis antetokounmpo young sports greats amazon com - Sep 24 2023

jul 30 2018 this biography follows antetokounmpo s career from his time playing for filathlitikos in the greek a2 basketball

league to his time playing for the milwaukee bucks statistics demonstrate how he s become one of basketball s greatest young players

5 nba finals records achieved by giannis antetokounmpo so far - Feb 17 2023

nov 8 2022 giannis antetokounmpo is the first player in 50 postseasons to record 100 points and 40 rebounds in the first three games of an nba finals contest only three players in the history of the league

giannis antetokounmpo milwaukee bucks nba com - Aug 11 2022

dec 6 1994 puts up double double antetokounmpo scored 18 points 8 12 fg 0 1 3pt 2 2 ft while adding 10 rebounds two assists and four steals across 25 minutes in tuesday s 124 101 preseason loss to the

giannis antetokounmpo follow team unfollow team yahoo sports - Nov 14 2022

bio height weight 7 0 243 lbs born athens greece draft 2013 1st round 15th pick by the milwaukee bucks summary game log splits

giannis antetokounmpo young sports greats goodreads - Jun 21 2023

jul 30 2018 this biography follows antetokounmpo s career from his time playing for filathlitikos in the greek a2 basketball league to his time playing for the milwaukee bucks statistics demonstrate how he s become one of basketball s greatest young players fact boxes supplement the main text while colorful photographs help readers make textual connections

stephen a smith goes on explosive rant over giannis antetokounmpo - Feb 05 2022

oct 24 2023 giannis antetokounmpo spoke leading up to the season opener about the greatest of all time in his eyes lebron james longevity heading into year 21 gives him the edge over michael jordan

reports bucks star antetokounmpo signs 3 year 186m extension - Mar 06 2022

1 day ago los angeles milwaukee bucks superstar giannis antetokounmpo has agreed to a three year contract extension worth 186 million multiple us media reports said on monday tuesday manila time

reflecting 16yo lebron james and 18yo giannis antetokounmpo - Sep 12 2022

sep 18 2023 on the other hand tyler jackson the talented prospect expressed his dreams in the documentary echoing the ambitions of young lebron james and giannis antetokounmpo jackson s ultimate goal is to reach the nba and become one of the greats through hard work and unwavering focus

giannis antetokounmpo has career high 55 points in bucks win - May 08 2022

the greats the best players never get bored they go out there and they always give their best any given night antetokounmpo has collected at least 40 points 10 rebounds and 5 assists in

giannis antetokounmpo atina nın sokaklarında saat satmaktan - Apr 19 2023

jul 21 2021 giannis antetokounmpo bugün basketbol dünyasının zirvesinde oturuyor takımı milwaukee bucks ı abd ulusal

basketbol ligi nba de şampiyonluğa taşıdı ve finallerin de en değerli

giannis antetokounmpo milwaukee bucks power forward espn - Dec 15 2022

2022 23 season stats view the profile of milwaukee bucks power forward giannis antetokounmpo on espn get the latest news live stats and game highlights

32 nba greats and their chic companions msn - Jun 09 2022

2 days ago 32 nba greats and their chic companions 5m 1 32 anthony davis and marlen p bolavip us anthony davis was a star as soon as he got into the league and after some frustrating seasons in new

giannis antetokounmpo completed one of the greatest nba finals forbes - Mar 18 2023

jul 21 2021 getty images over 50 years of waiting 18 344 days to be exact may have been worth it for the milwaukee bucks and their loyal fanbase

nba finals 2021 the evolution of giannis antetokounmpo from - Jul 22 2023

jul 21 2021 daily lines more eight years ago giannis antetokounmpo was an 18 year old rookie who had barely spent any time outside of greece today he is a two time mvp and newly crowned nba champion

giannis antetokounmpo nba star s rise from hustling on athens - Jan 16 2023

jul 1 2019 basketball tables giannis antetokounmpo nba star s rise from hustling on athens streets to mvp award by mike henson bbc sport in athens 1 july 2019 basketball 36 as he perches his near 7ft

frühe bindung und kindliche entwicklung reinhardt - Aug 14 2023

web auf der suche nach antworten auf diese fragen entwickelte john bowlby die bindungstheorie in diesem buch beschreibt bowlby hilfreiche maßnahmen für adoption

frühe bindung und kindliche entwicklung beiträge zur - Jan 07 2023

web frühe bindung und kindliche entwicklung softcover bowlby john 4 durchschnittliche bewertung 1 bewertungen bei goodreads softcover isbn 10 3497030740 isbn 13

john bowlby frühe bindung und kindliche entwicklung - Apr 29 2022

web auf den anfang kommt es an eine sichere bindung zwischen eltern und kind ist die wichtigste grundlage für eine gesunde seelische körperliche und soziale entwicklung

frühe bindung und kindliche entwicklung 9783497030743 - Nov 24 2021

web frühe bindung und kindliche entwicklung bowlby john amazon com au books skip to main content com au delivering to sydney 1171 to change sign in or enter a

frühe eltern kind interaktion und bindung springerlink - May 31 2022

web jan 1 2008 abstract john bowlby arzt und psychoanalytiker hat bereits in den 50er jahren darauf hingewiesen dass

säuglinge und kleinkinder aufgrund von deprivation

frühe bindung entstehung und entwicklung google books - Aug 02 2022

web aug 29 2022 dieses buch gibt einen anschaulichen Überblick über bindungsentstehung und entwicklung in der frühen kindheit führende deutschsprachige bindungsforscher

john bowlby frühe bindung und kindliche entwicklung - Feb 08 2023

web frühe bindung und kindliche entwicklung beiträge zur kinderpsychotherapie bowlby john endres manfred salter ainsworth mary d seemann ursula isbn

fruhe bindung und kindliche entwicklung pdf wrbb neu - Dec 26 2021

web abebooks com frühe bindung und kindliche entwicklung 9783497030743 and a great selection of similar new used and collectible books available now at great prices

frühe bindung und kindliche entwicklung thalia - Nov 05 2022

web frühe bindung und kindliche entwicklung inproceedings bowlby2005frhebu title fr u he bindung und kindliche entwicklung author john bowlby and mary

frühe bindung und kindliche entwicklung semantic scholar - Oct 04 2022

web bindungstheorie eine feinfühlige und beständige beziehung zur mutter oder einer anderen person ist in den ersten lebensjahren für eine gesunde entwicklung des Kindes

frühe bindung und kindliche entwicklung amazon de - Jun 12 2023

web frühe bindung und kindliche entwicklung john bowlby e reinhardt 2001 201 pages 0 reviews reviews aren t verified but google checks for and removes fake content

frühe bindung und kindliche entwicklung google books - May 11 2023

web frühe bindung und kindliche entwicklung editiert wird beschreibt der autor in drei teilen die schädlichen folgen der mutterentbehrung und die maßnahmen um der

frühe bindung und kindliche entwicklung bowlby john - Feb 25 2022

web wie wichtig ist eine feinfühlige und beständige beziehung zur mutter oder einer anderen person in den ersten lebensjahren für eine gesunde entwicklung des Kindes auf der

bowlby frühe bindung und kindliche entwicklung beck shop de - Jul 13 2023

web dieser artikel frühe bindung und kindliche entwicklung 2990 bindung als sichere basis grundlagen und anwendung der bindungstheorie

gesellschaft für frühkindliche bindung auf den anfang kommt es - Mar 29 2022

web wie wichtig ist eine feinfühlige und beständige beziehung zur mutter oder einer anderen person in den ersten

lebensjahren für eine gesunde entwicklung des kindes auf der
frühe bindung und kindliche entwicklung perfect paperback - Oct 24 2021

web 4 1 4 phasen der bindungsentwicklung john bowlby entwickelte 4 phasen in der das kind eine bindung zu der
bezugsperson aufbaut die 1 phase nennt er orientierung und

frühe bindung entstehung und entwicklung google books - Jul 01 2022

web oct 12 2019 zusammenfassung in diesem kapitel geht es um die frühe soziale entwicklung im säuglingsalter es wird
davon ausgegangen dass es sowohl aufseiten

frühe bindung und kindliche entwicklung amazon de - Mar 09 2023

web john bowlby arzt und psychoanalytiker hat bereits in den 50er jahren darauf hingewiesen dass säuglinge und kleinkinder
aufgrund von deprivation und

frühe bindung und kindliche entwicklung bücher de - Jan 27 2022

web 2 fruhe bindung und kindliche entwicklung 2022 12 26 eifersucht angst wut kummer oder niedergeschlagenheit festigen
und menschen ein leben lang belasten john

entwicklung von bindungen in der frühen kindheit und ihre - Sep 22 2021

frühe bindung und kindliche entwicklung softcover abebooks - Dec 06 2022

web jul 12 2021 welche gravierenden folgen hat eine längere trennung von den eltern für säuglinge und kleinkinder wie
wichtig ist eine feinfühlig und beständige beziehung

frühe bindung und kindliche entwicklung amazon de - Sep 03 2022

web aug 29 2022 frühe bindungen sind innige beziehungen die das sozialverhalten prägen psychoanalytiker john bowlby
begründete die bindungstheorie in den 1950er

john bowlby frühe bindung und kindliche entwicklung springer - Apr 10 2023

web frühe bindung und kindliche entwicklung bowlby john endres manfred salter ainsworth mary d seemann ursula isbn
9783497017706 kostenloser versand für