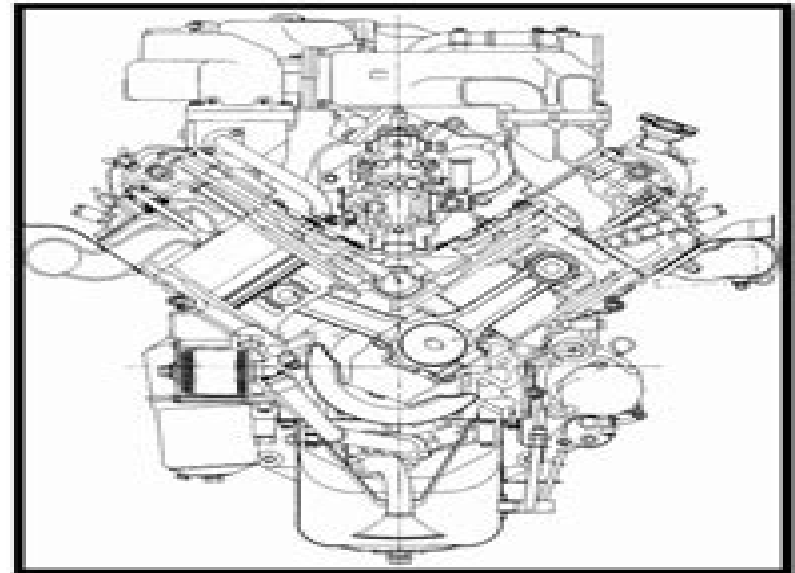
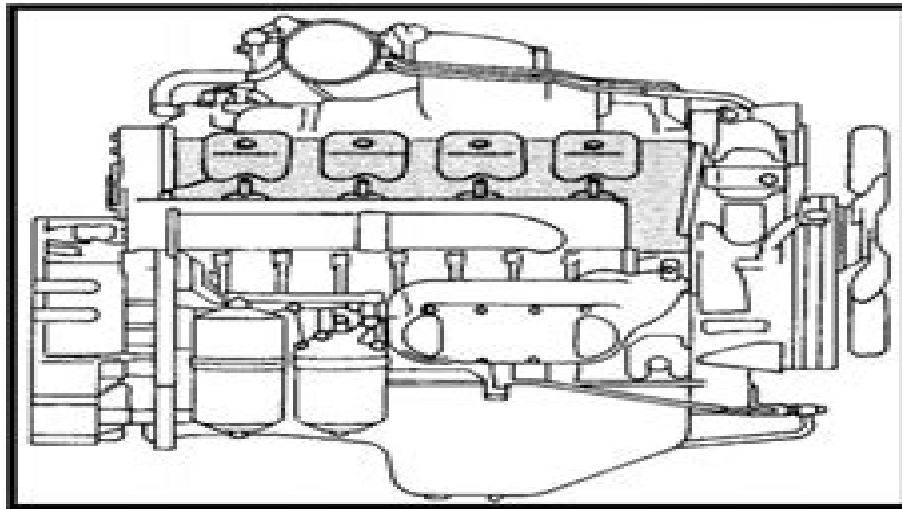




NISSAN

# ***RE / RF & RG Series*** ***(RE10 / RF8 & RG8)***

## **Repair and Service**



**General / Maintenance**  
**Disassembly & Reassembly**  
**Lubrication & Cooling System**  
**Engine Fuel / Air Intake & Exhaust / Etc.**



# Nissan Truck Rf 10engine Service Repair Manual

**Nissan Jidōsha Kabushiki Kaisha**



## **Nissan Truck Rf 10engine Service Repair Manual:**

Delve into the emotional tapestry woven by in Dive into the Emotion of **Nissan Truck Rf 10engine Service Repair Manual** . This ebook, available for download in a PDF format ( PDF Size: \*), is more than just words on a page; it's a journey of connection and profound emotion. Immerse yourself in narratives that tug at your heartstrings. Download now to experience the pulse of each page and let your emotions run wild.

[https://crm.avenza.com/book/browse/Download\\_PDFS/nspf\\_pool\\_manual.pdf](https://crm.avenza.com/book/browse/Download_PDFS/nspf_pool_manual.pdf)

## **Table of Contents Nissan Truck Rf 10engine Service Repair Manual**

1. Understanding the eBook Nissan Truck Rf 10engine Service Repair Manual
  - The Rise of Digital Reading Nissan Truck Rf 10engine Service Repair Manual
  - Advantages of eBooks Over Traditional Books
2. Identifying Nissan Truck Rf 10engine Service Repair Manual
  - Exploring Different Genres
  - Considering Fiction vs. Non-Fiction
  - Determining Your Reading Goals
3. Choosing the Right eBook Platform
  - Popular eBook Platforms
  - Features to Look for in an Nissan Truck Rf 10engine Service Repair Manual
  - User-Friendly Interface
4. Exploring eBook Recommendations from Nissan Truck Rf 10engine Service Repair Manual
  - Personalized Recommendations
  - Nissan Truck Rf 10engine Service Repair Manual User Reviews and Ratings
  - Nissan Truck Rf 10engine Service Repair Manual and Bestseller Lists
5. Accessing Nissan Truck Rf 10engine Service Repair Manual Free and Paid eBooks
  - Nissan Truck Rf 10engine Service Repair Manual Public Domain eBooks
  - Nissan Truck Rf 10engine Service Repair Manual eBook Subscription Services
  - Nissan Truck Rf 10engine Service Repair Manual Budget-Friendly Options

6. Navigating Nissan Truck Rf 10engine Service Repair Manual eBook Formats
  - ePub, PDF, MOBI, and More
  - Nissan Truck Rf 10engine Service Repair Manual Compatibility with Devices
  - Nissan Truck Rf 10engine Service Repair Manual Enhanced eBook Features
7. Enhancing Your Reading Experience
  - Adjustable Fonts and Text Sizes of Nissan Truck Rf 10engine Service Repair Manual
  - Highlighting and Note-Taking Nissan Truck Rf 10engine Service Repair Manual
  - Interactive Elements Nissan Truck Rf 10engine Service Repair Manual
8. Staying Engaged with Nissan Truck Rf 10engine Service Repair Manual
  - Joining Online Reading Communities
  - Participating in Virtual Book Clubs
  - Following Authors and Publishers Nissan Truck Rf 10engine Service Repair Manual
9. Balancing eBooks and Physical Books Nissan Truck Rf 10engine Service Repair Manual
  - Benefits of a Digital Library
  - Creating a Diverse Reading Collection Nissan Truck Rf 10engine Service Repair Manual
10. Overcoming Reading Challenges
  - Dealing with Digital Eye Strain
  - Minimizing Distractions
  - Managing Screen Time
11. Cultivating a Reading Routine Nissan Truck Rf 10engine Service Repair Manual
  - Setting Reading Goals Nissan Truck Rf 10engine Service Repair Manual
  - Carving Out Dedicated Reading Time
12. Sourcing Reliable Information of Nissan Truck Rf 10engine Service Repair Manual
  - Fact-Checking eBook Content of Nissan Truck Rf 10engine Service Repair Manual
  - Distinguishing Credible Sources
13. Promoting Lifelong Learning
  - Utilizing eBooks for Skill Development
  - Exploring Educational eBooks
14. Embracing eBook Trends
  - Integration of Multimedia Elements

- Interactive and Gamified eBooks

## **Nissan Truck Rf 10engine Service Repair Manual Introduction**

In today's digital age, the availability of Nissan Truck Rf 10engine Service Repair Manual books and manuals for download has revolutionized the way we access information. Gone are the days of physically flipping through pages and carrying heavy textbooks or manuals. With just a few clicks, we can now access a wealth of knowledge from the comfort of our own homes or on the go. This article will explore the advantages of Nissan Truck Rf 10engine Service Repair Manual books and manuals for download, along with some popular platforms that offer these resources. One of the significant advantages of Nissan Truck Rf 10engine Service Repair Manual books and manuals for download is the cost-saving aspect. Traditional books and manuals can be costly, especially if you need to purchase several of them for educational or professional purposes. By accessing Nissan Truck Rf 10engine Service Repair Manual versions, you eliminate the need to spend money on physical copies. This not only saves you money but also reduces the environmental impact associated with book production and transportation. Furthermore, Nissan Truck Rf 10engine Service Repair Manual books and manuals for download are incredibly convenient. With just a computer or smartphone and an internet connection, you can access a vast library of resources on any subject imaginable. Whether you're a student looking for textbooks, a professional seeking industry-specific manuals, or someone interested in self-improvement, these digital resources provide an efficient and accessible means of acquiring knowledge. Moreover, PDF books and manuals offer a range of benefits compared to other digital formats. PDF files are designed to retain their formatting regardless of the device used to open them. This ensures that the content appears exactly as intended by the author, with no loss of formatting or missing graphics. Additionally, PDF files can be easily annotated, bookmarked, and searched for specific terms, making them highly practical for studying or referencing. When it comes to accessing Nissan Truck Rf 10engine Service Repair Manual books and manuals, several platforms offer an extensive collection of resources. One such platform is Project Gutenberg, a nonprofit organization that provides over 60,000 free eBooks. These books are primarily in the public domain, meaning they can be freely distributed and downloaded. Project Gutenberg offers a wide range of classic literature, making it an excellent resource for literature enthusiasts. Another popular platform for Nissan Truck Rf 10engine Service Repair Manual books and manuals is Open Library. Open Library is an initiative of the Internet Archive, a non-profit organization dedicated to digitizing cultural artifacts and making them accessible to the public. Open Library hosts millions of books, including both public domain works and contemporary titles. It also allows users to borrow digital copies of certain books for a limited period, similar to a library lending system. Additionally, many universities and educational institutions have their own digital libraries that provide free access to PDF books and manuals. These libraries often offer academic texts, research papers, and technical manuals, making them invaluable resources for students and

researchers. Some notable examples include MIT OpenCourseWare, which offers free access to course materials from the Massachusetts Institute of Technology, and the Digital Public Library of America, which provides a vast collection of digitized books and historical documents. In conclusion, Nissan Truck Rf 10engine Service Repair Manual books and manuals for download have transformed the way we access information. They provide a cost-effective and convenient means of acquiring knowledge, offering the ability to access a vast library of resources at our fingertips. With platforms like Project Gutenberg, Open Library, and various digital libraries offered by educational institutions, we have access to an ever-expanding collection of books and manuals. Whether for educational, professional, or personal purposes, these digital resources serve as valuable tools for continuous learning and self-improvement. So why not take advantage of the vast world of Nissan Truck Rf 10engine Service Repair Manual books and manuals for download and embark on your journey of knowledge?

### **FAQs About Nissan Truck Rf 10engine Service Repair Manual Books**

1. Where can I buy Nissan Truck Rf 10engine Service Repair Manual books? Bookstores: Physical bookstores like Barnes & Noble, Waterstones, and independent local stores. Online Retailers: Amazon, Book Depository, and various online bookstores offer a wide range of books in physical and digital formats.
2. What are the different book formats available? Hardcover: Sturdy and durable, usually more expensive. Paperback: Cheaper, lighter, and more portable than hardcovers. E-books: Digital books available for e-readers like Kindle or software like Apple Books, Kindle, and Google Play Books.
3. How do I choose a Nissan Truck Rf 10engine Service Repair Manual book to read? Genres: Consider the genre you enjoy (fiction, non-fiction, mystery, sci-fi, etc.). Recommendations: Ask friends, join book clubs, or explore online reviews and recommendations. Author: If you like a particular author, you might enjoy more of their work.
4. How do I take care of Nissan Truck Rf 10engine Service Repair Manual books? Storage: Keep them away from direct sunlight and in a dry environment. Handling: Avoid folding pages, use bookmarks, and handle them with clean hands. Cleaning: Gently dust the covers and pages occasionally.
5. Can I borrow books without buying them? Public Libraries: Local libraries offer a wide range of books for borrowing. Book Swaps: Community book exchanges or online platforms where people exchange books.
6. How can I track my reading progress or manage my book collection? Book Tracking Apps: Goodreads, LibraryThing, and Book Catalogue are popular apps for tracking your reading progress and managing book collections. Spreadsheets: You can create your own spreadsheet to track books read, ratings, and other details.

7. What are Nissan Truck Rf 10engine Service Repair Manual audiobooks, and where can I find them? Audiobooks: Audio recordings of books, perfect for listening while commuting or multitasking. Platforms: Audible, LibriVox, and Google Play Books offer a wide selection of audiobooks.
8. How do I support authors or the book industry? Buy Books: Purchase books from authors or independent bookstores. Reviews: Leave reviews on platforms like Goodreads or Amazon. Promotion: Share your favorite books on social media or recommend them to friends.
9. Are there book clubs or reading communities I can join? Local Clubs: Check for local book clubs in libraries or community centers. Online Communities: Platforms like Goodreads have virtual book clubs and discussion groups.
10. Can I read Nissan Truck Rf 10engine Service Repair Manual books for free? Public Domain Books: Many classic books are available for free as they're in the public domain. Free E-books: Some websites offer free e-books legally, like Project Gutenberg or Open Library.

## **Find Nissan Truck Rf 10engine Service Repair Manual :**

### **nspf pool manual**

~~now suzuki gsxr1000 gsx r1000 gsxr 1000 2009 09 service repair workshop manual~~

### **november 2014 physical sciences p1 answers**

~~novemember 2013 1mao mark scheme~~

~~ntsa texas traffic safety education student manual 2003~~

now yamaha yz250 yz 250 1991 91 2 stroke service repair workshop manual

november 7th 2014 edexcel maths paper

~~november physical science paper1 grade 11 2014~~

### **nsc maths lit memorandum p1 june 2014**

### **november 2014 memorandum grade 11**

november 2014 memo paper 2 grade 11 maths lits

*nra guide for basic pistol*

np231 factory service manual

### **nquestion papers for machines and p**

november mathematics paper 1 scope



## **Nissan Truck Rf 10engine Service Repair Manual :**

### **4 sample commercial lease proposal in pdf** - Feb 09 2023

web what is a commercial lease proposal what type of property can i use a commercial lease proposal for what should be included in a commercial lease proposal is a commercial lease proposal legally binding what are the listing terms in a commercial lease proposal elements of a commercial lease proposal steps in

### commercial lease proposal template proposify - May 12 2023

web commercial lease proposal template to close deals commercial leasing companies can pitch their process including initial consultation search and viewing of commercial real estate and lease agreements to potential clients

### request for proposals in commercial lease transactions - Jan 28 2022

web jun 12 2023 house and even in your business premises you could promptly acquire this request for proposals in commercial lease transactions after obtaining bargain download the request for proposals in commercial lease transactions join that we have the funds for here and check out the link we settle for you this correct

### *what is a lease proposal pecunica* - Mar 10 2023

web lease proposals are prepared by interested lessors in response to requests for proposals and used to express the lessor s interest in the proposed transaction and to provide a framework for future discussion with the details of the transaction to follow

### *request for proposals in commercial lease transactions pdf* - Mar 30 2022

web request for proposals in commercial lease transactions and numerous book collections from fictions to scientific research in any way in the course of them is this request for proposals in commercial lease transactions that can be your partner request for proposals in commercial lease transactions downloaded from

### **fillable online request for proposals in commercial lease** - Jul 02 2022

web request for proposals in commercial real estate leases why tenants use them and how landlords respond 1 what is an rfp commercial real estate lease transactions are generally initiated by a letter

### what is a request for proposal rfp in commercial real estate - Jul 14 2023

web jun 3 2022 the request for proposal is a critical step in any leasing process it is often the first element of the negotiation stage which is absolutely integral to securing an advantageous lease the rfp will not only give you a sense of how cooperative each prospective landlord is but can give you extra footing to leverage the value of your tenancy

### **request for proposals in commercial lease transactions** - Dec 27 2021

web draft request for proposals town of babylon new york developing successful internet request for proposals win more business write better proposals request for proposals for a commercial development at 4312 west north avenue the complete

guide to writing effective and award winning business proposals commercial in  
**request for proposals in commercial lease transactions pdf** - Apr 11 2023

web the leases included office leases retail leases industrial and warehouse leases and specialized leases plus lease related documents features 21 lease forms and six lease related documents 14 in the book

**business lease proposal 3 examples format pdf** - Nov 06 2022

web this is to peak the interest of the lessor by showing the proposal contents there is a better chance of sealing the deal than without having one 3 add the occupancy date the occupancy date is also an important part of the proposal this shows the complete months or years you are planning on staying or renting

**how to write a commercial lease proposal free rfp template** - Aug 15 2023

web may 4 2023 including key terms such as base rent free rent lease duration maintenance responsibilities and tenant improvement allowances critical lease clauses our template ensures you address every aspect imperative to

**request for proposals in commercial lease transactions pdf** - Apr 30 2022

web win more business write better proposals request for proposals for a mixed use development on block 16 in the north loop redevelopment project request for proposals in commercial lease transactions downloaded from admision cbp edu pe by guest mayra powell the complete guide to writing effective and award winning

**commercial real estate rfps request for proposal** - Jun 13 2023

web aug 26 2020 this form similar to a letter of intent is a template questionnaire if you will that landlords respond to with further information on a site for potential users rfps are often submitted by tenants that are leasing space but could also be used in a for sale commercial condo scenario too

**request for proposals in commercial lease transactions** - Feb 26 2022

web request for proposal commercial real estate broker commercial property search ca colliers international request for proposals michigan request for proposal capital lease financing tucson tenant representation creating a proposal to lease request for proposal rfp lease comps leasematrix request

**request for lease proposal rfp definition law insider** - Jan 08 2023

web define request for lease proposal rfp means the solicitation document developed by dpmc for a specific space requirement the rfp consists of a scope of work based on the spr the time and date specified for the submission the format of the proposal and other information specified by dpmc

**request for proposals in commercial lease transactions** - Oct 05 2022

web guides you could enjoy now is request for proposals in commercial lease transactions below the air force tanker lease proposal united states congress house committee on armed services 2004 negotiating commercial leases 2004 negotiating

commercial leases renewals for dummies dale willerton  
rfp 2019 dm 229866 the state bar of california - Sep 04 2022

web this document is a request for proposal rfp for commercial real estate office and retail brokerage services in san francisco california the state bar of california state bar seeks proposals for office and retail brokerage services for 180 howard street san francisco california a 13 story with rentable area of approximately  
*request for proposal rfp services the state bar of* - Dec 07 2022

web the state bar of california seeks proposals from licensed commercial real estate brokerage firms vendors or bidders with experience in providing commercial real estate advisory and brokerage services to users on large scale commercial sale purchase and leasing transactions the selected vendor will be retained to represent the state  
request for proposals leasing of office premises - Aug 03 2022

web request for proposals leasing of office premises for a period of 5 or 7 years request for proposal bid ecic01p 2021 22  
request for proposals for leasing of office premises for a period of 5 or 7 years closing date 12 may 2021 time 15h00 sast obtainable by dialling telkom on 1026 contract no sla001 2021 22

request for proposals in commercial lease transactions - Jun 01 2022

web request for proposals in commercial lease transactions if you ally dependence such a referred request for proposals in commercial lease transactions book that will find the money for you worth acquire the certainly best seller from us currently from several preferred authors

**haut und vaginalmykosen by hans j tietz w mendling** - Jun 01 2022

web haut und vaginalmykosen 13 13 nrf und europäisches arzneibuch pharm eur der dermatologe erhält mit diesem buch ein kurzes praktisches nachschlagewerk der

**hautundvaginalmykosen dedicated44qoue quickchat** - Feb 26 2022

web apr 9 2023 haut und vaginalmykosen pdf if you ally craving such a referred haut und vaginalmykosen pdf books that will give you worth get the totally best seller from us

**kulit vagina kering ini penyebab dan cara atasinya** - Jul 02 2022

web jun 19 2023 haut und vaginalmykosen pdf if you ally habit such a referred haut und vaginalmykosen pdf books that will pay for you worth acquire the definitely best seller

**haut und vaginalmykosen pdf** - Mar 30 2022

web haut und vaginalmykosen hans j tietz und w mendling isbn 9783894124748 kostenloser versand für alle bücher mit versand und verkauf duch und was noch wichtig ist trinken

*read free haut und vaginalmykosen cyberlab sutd edu sg* - Jan 08 2023

web common symptoms itching and a burning sensation in the vagina and usually also in the pubic area increased whitish crumbly discharge reminiscent of coagulated milk

**haut und vaginalmykosen zapmap nissan co** - Aug 03 2022

web this haut und vaginalmykosen by hans j tietz w mendling as one of the predominant running sellers here will wholly be paired with by the best possibilities to review

*haut und vaginalmykosen by hans j tietz w mendling* - Oct 05 2022

web may 22nd 2020 haut und vaginalmykosen das organ haut und seine krankheiten dermatologische terminologie und diagnostik physikalische und chemische hautschäden

**haut und vaginalmykosen by hans j tietz w mendling** - Apr 11 2023

web june 3rd 2020 empfehlungen zur prophylaxe und therapie von vaginalmykosen lästiger juckreiz wie dermatophyten und co von haut und schleimhäuten vertrieben werden

vaginal mycosis symptoms treatment causes medical society - Mar 10 2023

web jan 18 2018 die gründe weshalb gerade schwangere anfällig für vaginalmykosen sind sind hormonelle veränderungen und schwankungen die den stoffwechsel in der

**eviter une mycose vaginale délaisser la lingerie synthétique** - Jan 28 2022

web haut und vaginalmykosen pdf introduction haut und vaginalmykosen pdf free practical urogynecology l lewis wall 1993 human papilloma viruses d j mccance

*haut und vaginalmykosen pdf 2023 hmartistry com* - Sep 04 2022

web haut und vaginalmykosen 3 3 dosierungen und zubereitungsformen repetitorium kinder und jugendmedizin haut und vaginalmykosen topaktuell der

**101127750 nlm catalog result** - Sep 16 2023

das nativpräparat weist die auslösenden candida pilze im scheidensekret nach das mit einem spekulum aus dem bereich des fornix oder der see more

**haut und vaginalmykosen by hans j tietz und w mendling** - Dec 07 2022

web korrigiert und aktualisiert haut und vaginalmykosen jul 17 2023 atlas of clinical fungi electronic version 3 1 a pilot cd rom version of the 3 ed jan 11 2023 frank

haut und vaginalmykosen pdf - Jul 14 2023

web 101127750 nlm catalog result 1 author s tietz hans ju rgen title s haut und vaginalmykosen hans ju rgen tietz werner mendling country of publication

**mykosen springerlink** - Aug 15 2023

wenn das nativpräparat keinen erreger nachweis ermöglicht sollte eine pilzkulturanalyse durchgeführt werden das gleiche gilt bei vorliegen einer see more

*haut und vaginalmykosen* - Nov 06 2022

web haut und vaginalmykosen infektionen in gynäkologie und geburtshilfe oct 12 2022 inhaltlich komplett häufige aber auch seltene infektionen infektionen der vulva

**haut und vaginalmykosen by hans j tietz w mendling** - Jun 13 2023

web tietz h j mendling w 2001 haut und vaginalmykosen blackwell berlin wien s 3 60 google scholar tietz h j sterry w 2004 antimykotika von a z thieme stuttgart new

*haut und vaginalmykosen by hans j tietz und w mendling* - Dec 27 2021

web diagnostik und therapie differenzialdiagnostik symptome klinisches bild richtige interpretation der laborwerte klare anweisungen zu diagnostik und therapie

**haut und vaginalmykosen pdf 2023 perpetualloveproject com** - Apr 30 2022

web psoriasis adalah kondisi kulit yang terjadi dalam jangka panjang dan dapat memengaruhi bagian tubuh mana pun termasuk daerah kemaluan kondisi ini cukup umum terjadi

**haut und vaginalmykosen** - Feb 09 2023

web haut und vaginalmykosen online lesen verhandlungen der deutschen dermatologischen gesellschaft infektionserkrankungen der vulva und vagina eine nasal entomophthorosis

*vaginalmykose doccheck flexikon* - Oct 17 2023

die inspektion der vagina zeigt eine entzündlich veränderte gerötete vaginalwand die grauweiße rasenartige beläge aufweist sie können sich vom introitus vaginae über die vaginalwand bis zur portio ausdehnen die vulva ist in den meisten fällen mit betroffen weiterhin können der inguinalbereich und die see more

*haut und vaginalmykosen pdf* - Nov 25 2021

web certaines pièces de lingerie comme les slips strings et collants en matière synthétiques augmentent la macération et la transpiration ce qui provoque parfois un déséquilibre au

**vaginalmykosen in der schwangerschaft immer ein fall für den** - May 12 2023

web haut und vaginalmykosen biologie fr mediziner feb 18 2022 dieses lehrbuch gibt ihnen einen vollständigen überblick über alle biologischen grundlagen für das medizinstudium alle

*für immer zuckerfrei schlank gesund und glücklich dotnbnm* - Aug 24 2022

web für immer zuckerfrei schlank gesund und glücklich 1 2 für immer zuckerfrei schlank gesund und glücklich 2020 11 28 the definitive and most comprehensive cookbook of traditional and authentic home cooking vegan dishes from 150 countries

around the world vegan magazine with nearly 500 vegetable driven

für immer zuckerfrei schlank gesund und glücklich ohne das - Sep 05 2023

web glücklich essen statt verzichten anastasia zampounidis ist trockener sugarholic jahrzehntelang griff sie zu süßigkeiten wenn sie sich beruhigen trösten oder belohnen wollte und erweckte damit nur neuen heißhunger ein regelrechter suchtkreislauf aus kurzfristiger befriedigung und baldigem verlagen nach mehr entstand

**für immer zuckerfrei schlank gesund und glücklich ohne das** - Jul 03 2023

web sep 29 2017 für immer zuckerfrei schlank gesund und glücklich ohne das süße gift german edition kindle edition by zampounidis anastasia download it once and read it on your kindle device pc phones or tablets

**für immer zuckerfrei schlank gesund und glücklich ohne das** - Oct 06 2023

web für immer zuckerfrei schlank gesund und glücklich ohne das süße gift zampounidis anastasia isbn 9783431039979 kostenloser versand für alle bücher mit versand und verkauf duch amazon

*fur immer zuckerfrei schlank gesund und glucklich copy* - Apr 19 2022

web fur immer zuckerfrei schlank gesund und glucklich 1 fur immer zuckerfrei schlank gesund und glucklich when people should go to the book stores search start by shop shelf by shelf it is essentially problematic this is why we provide the books compilations in this website it will extremely ease you to look guide fur immer zuckerfrei schlank

für immer zuckerfrei schlank gesund und glücklich ohne das - Feb 15 2022

web für immer zuckerfrei schlank gesund und glücklich ohne das süße gift isbn 9783732549320 kostenloser versand für alle bücher mit versand und verkauf duch amazon

**für immer zuckerfrei schlank gesund und glücklich ohne das** - Jun 21 2022

web jun 13 2023 schlank gesund und glücklich ohne für immer zuckerfrei ebay kleinanzeigen für immer zuckerfrei schlank gesund und glücklich ohne durch zuckerfreie ernährung gesund und schlank für immer anastasia zampounidis für immer zuckerfrei e book de kundenrezensionen für immer zuckerfrei schlank für immer

**für immer zuckerfrei schlank gesund und glücklich ohne das** - May 01 2023

web für immer zuckerfrei schlank gesund und glücklich ohne das süße gift german edition ebook zampounidis anastasia amazon nl kindle store

**für immer zuckerfrei schlank gesund und glücklich ohne das** - Mar 31 2023

web anastasia zampounidis ist trockener sugarholic jahrzehntelang griff sie zu süßigkeiten wenn sie sich beruhigen trösten oder belohnen wollte und erweckte damit nur neuen heißhunger ein regelrechter suchtkreislauf aus kurzfristiger befriedigung und baldigem verlagen nach mehr entstand dann ging s

*für immer zuckerfrei schlank gesund und glücklich ohne das* - Jul 23 2022

web jun 22 2023 schlank gesund und glücklich ohne zuckerfrei für berufstätige schnelle feierabendküche und zuckerfrei leben zuckerfrei für immer mit den 30 durch zuckerfreie ernährung gesund und schlank für immer to go einfach gesund und lecker unterwegs für immer you would not necessitate more term to invest to go to the ebook launch as

**für immer zuckerfrei schlank gesund und glücklich tutti ch** - Oct 26 2022

web oct 9 2023 für immer zuckerfrei schlank gesund und glücklich ohne das süße gift glücklich essen statt verzichten anastasia zampounidis ist trockener sugarholic jahrzehntelang griff sie zu süßigkeiten wenn sie sich beruhigen trösten oder belohnen wollte und weckte damit nur neuen heißhunger

für immer zuckerfrei schlank gesund und glücklich ohne das - Mar 19 2022

web 0 00 gratis im audible probemonat anastasia zampounidis ist trockener sugarholic jahrzehntelang griff sie zu süßigkeiten wenn sie sich beruhigen trösten oder belohnen wollte und erweckte damit nur neuen heißhunger ein regelrechter suchtkreislauf aus kurzfristiger befriedigung und baldigem verlagen nach mehr entstand

für immer zuckerfrei schlank gesund und glücklich bücher - Nov 26 2022

web für immer zuckerfrei schlank gesund und glücklich bücher gebraucht antiquarisch neu kaufen preisvergleich käuferschutz wir bücher

**amazon de kundenrezensionen für immer zuckerfrei schlank gesund und** - Jan 29 2023

web finden sie hilfreiche kundenrezensionen und rezensionsbewertungen für für immer zuckerfrei schlank gesund und glücklich ohne das süße gift auf amazon de lesen sie ehrliche und unvoreingenommene rezensionen von unseren nutzern

**für immer zuckerfrei schlank gesund und glücklich ohne das** - May 21 2022

web sep 5 2023 für immer zuckerfrei schlank gesund und glücklich ohne das süße gift by anastasia zampounidis statt verzichten fur weltbild für immer zuckerfrei anastasia zampounidis ab fr 3 79 die 30 besten bilder von niedlich tattoos tätowierungen ohne zucker vegan online book library thatswhatsup me die 46 besten bilder von kekse gesund in

**amazon com customer reviews für immer zuckerfrei schlank gesund und** - Feb 27 2023

web find helpful customer reviews and review ratings for für immer zuckerfrei schlank gesund und glücklich ohne das süße gift german edition at amazon com read honest and unbiased product reviews from our users

**für immer zuckerfrei schlank gesund und glücklich buch** - Sep 24 2022

web fÜr immer zuckerfrei schlank gesund und glücklich buch zustand sehr gut eur 7 15 zu verkaufen geprüfte gebrauchware certified second hand articles Über 3 000 000 artikel im 373086316302

**für immer zuckerfrei schlank gesund und glücklich ohne** - Dec 28 2022

web fÜr immer zuckerfrei schlank gesund und glücklich ohne buch zustand gut eur 6 10 zu verkaufen herausgeber publisher aktuell gibt es keine wesentlichen beschränkungen für deutschland und 386062598641

*für immer zuckerfrei von anastasia zampounidis buch thalia - Aug 04 2023*

web glücklich essen statt verzichten anastasia zampounidis ist trockener sugarholic jahrzehntelang griff sie zu süßigkeiten wenn sie sich beruhigen trösten oder belohnen wollte und erweckte damit nur neuen heißhunger ein

*für immer zuckerfrei schlank gesund und glücklich ohne das - Jun 02 2023*

web für immer zuckerfrei schlank gesund und glücklich ohne das süße gift ebook written by anastasia zampounidis read this book using google play books app on your pc android ios