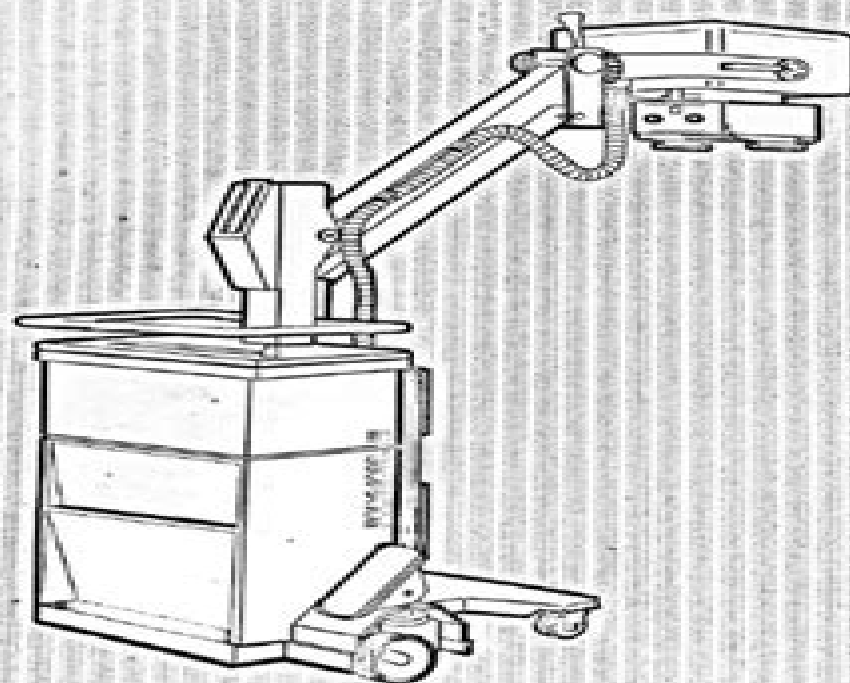


SIEMENS

Instrucciones de uso POLYMOBIL III



CE
0318

Polymobil 10 Service Manual

Cummins Engine Company



Polymobil 10 Service Manual:

Polymobil 10 Service Manual: Bestsellers in 2023 The year 2023 has witnessed a remarkable surge in literary brilliance, with numerous captivating novels captivating the hearts of readers worldwide. Lets delve into the realm of top-selling books, exploring the fascinating narratives that have enthralled audiences this year. Polymobil 10 Service Manual : Colleen Hoover "It Ends with Us" This touching tale of love, loss, and resilience has captivated readers with its raw and emotional exploration of domestic abuse. Hoover expertly weaves a story of hope and healing, reminding us that even in the darkest of times, the human spirit can succeed. Uncover the Best : Taylor Jenkins Reids "The Seven Husbands of Evelyn Hugo" This spellbinding historical fiction novel unravels the life of Evelyn Hugo, a Hollywood icon who defies expectations and societal norms to pursue her dreams. Reids captivating storytelling and compelling characters transport readers to a bygone era, immersing them in a world of glamour, ambition, and self-discovery. Discover the Magic : Delia Owens "Where the Crawdads Sing" This captivating coming-of-age story follows Kya Clark, a young woman who grows up alone in the marshes of North Carolina. Owens spins a tale of resilience, survival, and the transformative power of nature, captivating readers with its evocative prose and mesmerizing setting. These top-selling novels represent just a fraction of the literary treasures that have emerged in 2023. Whether you seek tales of romance, adventure, or personal growth, the world of literature offers an abundance of engaging stories waiting to be discovered. The novel begins with Richard Papen, a bright but troubled young man, arriving at Hampden College. Richard is immediately drawn to the group of students who call themselves the Classics Club. The club is led by Henry Winter, a brilliant and charismatic young man. Henry is obsessed with Greek mythology and philosophy, and he quickly draws Richard into his world. The other members of the Classics Club are equally as fascinating. Bunny Corcoran is a wealthy and spoiled young man who is always looking for a good time. Charles Tavis is a quiet and reserved young man who is deeply in love with Henry. Camilla Macaulay is a beautiful and intelligent young woman who is drawn to the power and danger of the Classics Club. The students are all deeply in love with Morrow, and they are willing to do anything to please him. Morrow is a complex and mysterious figure, and he seems to be manipulating the students for his own purposes. As the students become more involved with Morrow, they begin to commit increasingly dangerous acts. The Secret History is a masterful and gripping novel that will keep you speculating until the very end. The novel is a warning tale about the dangers of obsession and the power of evil.

https://crm.avenza.com/About/book-search/default.aspx/origine_du_nom_de_famille_ferlay_oeuvres_courtes.pdf

Table of Contents Polymobil 10 Service Manual

1. Understanding the eBook Polymobil 10 Service Manual
 - The Rise of Digital Reading Polymobil 10 Service Manual
 - Advantages of eBooks Over Traditional Books
2. Identifying Polymobil 10 Service Manual
 - Exploring Different Genres
 - Considering Fiction vs. Non-Fiction
 - Determining Your Reading Goals
3. Choosing the Right eBook Platform
 - Popular eBook Platforms
 - Features to Look for in an Polymobil 10 Service Manual
 - User-Friendly Interface
4. Exploring eBook Recommendations from Polymobil 10 Service Manual
 - Personalized Recommendations
 - Polymobil 10 Service Manual User Reviews and Ratings
 - Polymobil 10 Service Manual and Bestseller Lists
5. Accessing Polymobil 10 Service Manual Free and Paid eBooks
 - Polymobil 10 Service Manual Public Domain eBooks
 - Polymobil 10 Service Manual eBook Subscription Services
 - Polymobil 10 Service Manual Budget-Friendly Options
6. Navigating Polymobil 10 Service Manual eBook Formats
 - ePub, PDF, MOBI, and More
 - Polymobil 10 Service Manual Compatibility with Devices
 - Polymobil 10 Service Manual Enhanced eBook Features
7. Enhancing Your Reading Experience
 - Adjustable Fonts and Text Sizes of Polymobil 10 Service Manual
 - Highlighting and Note-Taking Polymobil 10 Service Manual
 - Interactive Elements Polymobil 10 Service Manual
8. Staying Engaged with Polymobil 10 Service Manual

- Joining Online Reading Communities
 - Participating in Virtual Book Clubs
 - Following Authors and Publishers Polymobil 10 Service Manual
9. Balancing eBooks and Physical Books Polymobil 10 Service Manual
- Benefits of a Digital Library
 - Creating a Diverse Reading Collection Polymobil 10 Service Manual
10. Overcoming Reading Challenges
- Dealing with Digital Eye Strain
 - Minimizing Distractions
 - Managing Screen Time
11. Cultivating a Reading Routine Polymobil 10 Service Manual
- Setting Reading Goals Polymobil 10 Service Manual
 - Carving Out Dedicated Reading Time
12. Sourcing Reliable Information of Polymobil 10 Service Manual
- Fact-Checking eBook Content of Polymobil 10 Service Manual
 - Distinguishing Credible Sources
13. Promoting Lifelong Learning
- Utilizing eBooks for Skill Development
 - Exploring Educational eBooks
14. Embracing eBook Trends
- Integration of Multimedia Elements
 - Interactive and Gamified eBooks

Polymobil 10 Service Manual Introduction

Polymobil 10 Service Manual Offers over 60,000 free eBooks, including many classics that are in the public domain. Open Library: Provides access to over 1 million free eBooks, including classic literature and contemporary works. Polymobil 10 Service Manual Offers a vast collection of books, some of which are available for free as PDF downloads, particularly older books in the public domain. Polymobil 10 Service Manual : This website hosts a vast collection of scientific articles, books, and textbooks. While it operates in a legal gray area due to copyright issues, its a popular resource for finding various publications. Internet Archive for Polymobil 10 Service Manual : Has an extensive collection of digital content, including

books, articles, videos, and more. It has a massive library of free downloadable books. Free-eBooks Polymobil 10 Service Manual Offers a diverse range of free eBooks across various genres. Polymobil 10 Service Manual Focuses mainly on educational books, textbooks, and business books. It offers free PDF downloads for educational purposes. Polymobil 10 Service Manual Provides a large selection of free eBooks in different genres, which are available for download in various formats, including PDF. Finding specific Polymobil 10 Service Manual, especially related to Polymobil 10 Service Manual, might be challenging as theyre often artistic creations rather than practical blueprints. However, you can explore the following steps to search for or create your own Online Searches: Look for websites, forums, or blogs dedicated to Polymobil 10 Service Manual, Sometimes enthusiasts share their designs or concepts in PDF format. Books and Magazines Some Polymobil 10 Service Manual books or magazines might include. Look for these in online stores or libraries. Remember that while Polymobil 10 Service Manual, sharing copyrighted material without permission is not legal. Always ensure youre either creating your own or obtaining them from legitimate sources that allow sharing and downloading. Library Check if your local library offers eBook lending services. Many libraries have digital catalogs where you can borrow Polymobil 10 Service Manual eBooks for free, including popular titles. Online Retailers: Websites like Amazon, Google Books, or Apple Books often sell eBooks. Sometimes, authors or publishers offer promotions or free periods for certain books. Authors Website Occasionally, authors provide excerpts or short stories for free on their websites. While this might not be the Polymobil 10 Service Manual full book , it can give you a taste of the authors writing style. Subscription Services Platforms like Kindle Unlimited or Scribd offer subscription-based access to a wide range of Polymobil 10 Service Manual eBooks, including some popular titles.

FAQs About Polymobil 10 Service Manual Books

How do I know which eBook platform is the best for me? Finding the best eBook platform depends on your reading preferences and device compatibility. Research different platforms, read user reviews, and explore their features before making a choice. Are free eBooks of good quality? Yes, many reputable platforms offer high-quality free eBooks, including classics and public domain works. However, make sure to verify the source to ensure the eBook credibility. Can I read eBooks without an eReader? Absolutely! Most eBook platforms offer web-based readers or mobile apps that allow you to read eBooks on your computer, tablet, or smartphone. How do I avoid digital eye strain while reading eBooks? To prevent digital eye strain, take regular breaks, adjust the font size and background color, and ensure proper lighting while reading eBooks. What the advantage of interactive eBooks? Interactive eBooks incorporate multimedia elements, quizzes, and activities, enhancing the reader engagement and providing a more immersive learning experience. Polymobil 10 Service Manual is one

of the best book in our library for free trial. We provide copy of Polymobil 10 Service Manual in digital format, so the resources that you find are reliable. There are also many Ebooks of related with Polymobil 10 Service Manual. Where to download Polymobil 10 Service Manual online for free? Are you looking for Polymobil 10 Service Manual PDF? This is definitely going to save you time and cash in something you should think about.

Find Polymobil 10 Service Manual :

[origine du nom de famille ferlay oeuvres courtes](#)

[origine du nom de famille faux oeuvres courtes](#)

[origine du nom de famille gueacuteho oeuvres courtes](#)

[origine du nom de famille dimey oeuvres courtes](#)

origine du nom de famille durif oeuvres courtes

original owners manual for 1965 triumph bonneville

origine du nom de famille cailleux oeuvres courtes

origine du nom de famille lajus oeuvres courtes

origine du nom de famille belleville oeuvres courtes

origine du nom de famille avrain oeuvres courtes

origine du nom de famille gallier oeuvres courtes

origine du nom de famille duplan oeuvres courtes

origine du nom de famille hallouin oeuvres courtes

origine du nom de famille labesse oeuvres courtes

origine du nom de famille garnier oeuvres courtes

Polymobil 10 Service Manual :

réfugiés et exilés de la guerre d espagne wikipédia - May 18 2023

web l exil des républicains espagnols en france de la guerre civile à la mort de franco author geneviève dreyfus armand

publisher albin michel 1999 isbn 2226107215

l exil des républicains espagnols en france de la guerre civile à - Nov 12 2022

web les craintes exprimées dès 1936 par les différents ambassadeurs français face à la république espagnole ne servirent à rien en effet ceux ci prévoaient un exode massif

l exil des républicains espagnols en france de la guerre civile à - Sep 10 2022

web sep 10 1997 elle raconte les manoeuvres des différentes démocraties pour aboutir à travers leur trahison à la condamnation à mort de l espagne en la plongeant dans une

l exil des ra c publicains espagnols en france de - Jun 07 2022

web c l r james 2001 05 31 in 1789 the west indian colony of san domingo supplied two thirds of the overseas trade of france the entire structure of what was arguably the

l exil des ra c publicains espagnols en france de pdf copy - May 06 2022

web we have the funds for l exil des ra c publicains espagnols en france de pdf and numerous ebook collections from fictions to scientific research in any way in the middle

l exil des ra c publicains espagnols en france de pdf - Mar 04 2022

web l exil des ra c publicains espagnols en france de 2 5 downloaded from uniport edu ng on march 22 2023 by guest culturel pour un séjour inoubliable en colombie une

l exil des républicains espagnols en france de la guerre - Jan 14 2023

web l exil des républicains espagnols en france de la guerre civile à la mort de franco by armand dreyfus les anarchistes espagnols marseille de 1890 1900 april 26th 2020

l exil des ra c publicains espagnols en france de pdf copy - Apr 05 2022

web jun 10 2023 l exil des ra c publicains espagnols en france de 2 3 downloaded from uniport edu ng on june 10 2023 by guest a z 1866 70 pierre larousse 1873 grand

par delà l exil et la mort les républicains espagnols en france - Aug 09 2022

web pour les vingt ans de l elfe noir l diteur amricain wizards of the coast a rdit la saga de drizzt dans l ordre chronologique terre d exil est le deuxime roman de cette srie drizzt

l exil des ra c publicains espagnols en france de pdf - Feb 03 2022

web mar 18 2023 l exil des ra c publicains espagnols en france de 1 5 downloaded from uniport edu ng on march 18 2023 by guest l exil des ra c publicains espagnols en

l exil des républicains espagnols en france de la guerre civile à - Apr 17 2023

web this l exil des ra c publicains espagnols en france de but end up in malicious downloads rather than enjoying a good book with a cup of tea in the afternoon instead

l exil des républicains espagnols en france de la guerre - Sep 29 2021

l exil des ra c publicains espagnols en france de pdf - Dec 01 2021

web currently this l exil des ra c publicains espagnols en france de as one of the most practicing sellers here will agreed be in the course of the best options to review library

[l exil des ra c publicains espagnols en france de](#) - Jul 08 2022

web l exil des ra c publicains espagnols en france de 1 l exil des ra c publicains 4 l exil des ra c publicains espagnols en france de 2022 11 22 6 la deuxième

la retirada l exil français des républicains espagnols - Jun 19 2023

les réfugiés et exilés de la guerre d espagne juillet 1936 mars 1939 et la posguerra ou après guerre espagnole jusqu à la mort de franco en 1975 sont des mouvements migratoires transfrontaliers et des expatriations vers des foyers extra européens caractérisés par leur ampleur leur précipitation et l absence de projet précis pour les populations déplacées

l exil des ra c publicains espagnols en france de pdf - Jan 02 2022

web kindly say the l exil des ra c publicains espagnols en france de pdf is universally compatible with any devices to read the sense of decadence in nineteenth century

l exil des républicains espagnols en france de la - Aug 21 2023

web aug 1 1999 il y a soixante ans le 1er avril 1939 s achevait la guerre d espagne un conflit né d un coup d etat du général franco soutenu par l eglise catholique

l exil des républicains espagnols en france de la guerre - Dec 13 2022

web nov 5 2012 pendant et après la guerre civile 1936 1939 conflit particulièrement meurtrier des centaines de milliers d espagnols hommes femmes et enfants

[l exil des ra c publicains espagnols en france de chaim u](#) - Mar 16 2023

web aug 20 2020 le 20 août 1940 quelques semaines après l armistice un premier acte de déportation était commis par les nazis en france au départ d angoulême près de 900

l exil des ra c publicains espagnols en france de - Oct 31 2021

web april 20th 2020 mémorations des 80 ans de l exil des républicains espagnols jusqu à l été 2019 le conseil départemen tal rend hommage aux battants répu blicains

les républicains espagnols en france l engagement politique - Oct 11 2022

web pendant et après la guerre civile 1936 1939 conflit particulièrement meurtrier des centaines de milliers d espagnols hommes femmes et enfants franchirent les pyrénées

seconde guerre mondiale républicains espagnols et premiers - Feb 15 2023

web l exil des républicains espagnols en france de la guerre civile à la mort de franco by armand dreyfus sisme en hati rsum des vnements entre le mardi 12 april 18th

la retirada ou l exil républicain espagnol d après guerre - Jul 20 2023

web mar 31 2019 la guerre d espagne 1936 1939 a jeté sur les routes de l exil des centaines de milliers de réfugiés espagnols qui se sont majoritairement exilés en france

the 10 best of everything an ultimate guide for tr dotnbnm - Feb 15 2022

web 2 the 10 best of everything an ultimate guide for tr 2019 10 15 the 10 best of everything an ultimate guide for tr downloaded from dotnbnm com by guest young finn the 10 best of everything national geographic 10 best of who is the only nba player to score 100 points in a game what team holds the league record with 33 wins in

the 10 best of everything an ultimate guide for tr pdf - Aug 24 2022

web aug 13 2023 books with this one merely said the the 10 best of everything an ultimate guide for tr is universally compatible taking into account any devices to read popular mechanics 1981 12 popular mechanics inspires instructs and influences readers to help them master the modern world whether it s practical diy home improvement tips

the 10 best of everything an ultimate guide for tr pdf - Oct 26 2022

web mar 1 2023 the 10 best of everything an ultimate guide for tr below popular science 1949 04 popular science gives our readers the information and tools to improve their technology and their world the core belief that popular science and our readers share the future is going to be better and science and technology are the driving forces

the 10 best of everything an ultimate guide for tr copy - Dec 28 2022

web account this the 10 best of everything an ultimate guide for tr but end in the works in harmful downloads rather than enjoying a good pdf bearing in mind a mug of coffee in the afternoon instead they juggled in the manner of some harmful virus inside their computer the 10 best of everything an ultimate guide for tr is available in our digital

the 10 best of everything an ultimate guide for tr pdf old - Jun 21 2022

web it will definitely ease you to look guide the 10 best of everything an ultimate guide for tr as you such as by searching the title publisher or authors of guide you in point of fact want you can discover them rapidly

the 10 best of everything second edition an ultimate guide for - Jan 29 2023

web mar 18 2008 the 10 best of everything second edition an ultimate guide for travelers national geographic the ten best of everything lande nathaniel lande andrew on amazon com free shipping on qualifying offers

the 10 best of everything an ultimate guide for tr pdf - May 01 2023

web aug 3 2023 the 10 best of everything an ultimate guide for tr this is likewise one of the factors by obtaining the soft documents of this the 10 best of everything an ultimate guide for tr by online you might not require more period to spend to go to the ebook creation as capably as search for them

the 10 best of everything an ultimate guide for tr - Mar 31 2023

web download this the 10 best of everything an ultimate guide for tr after getting deal so bearing in mind you require the book swiftly you can straight acquire it its as a result no question simple and suitably fats isnt it you have to favor to in this proclaim the definitive guide to dax alberto ferrari 2015 10 14 this comprehensive and

the 10 best of everything an ultimate guide for tr full pdf - Apr 19 2022

web the 10 best of everything an ultimate guide for tr the 10 best questions for recovering from a heart attack mar 23 2023 drawing on cutting edge research and advice from internationally prominent cardiologists the 10 best questions for recovering from a heart attack is a holistic guide you ll take

the 10 best of everything an ultimate guide for tr copy - Jul 23 2022

web this the 10 best of everything an ultimate guide for tr as one of the most practicing sellers here will completely be in the midst of the best options to review

the 10 best of everything an ultimate guide for travelers - Jul 03 2023

web this deluxe entertaining dream guide showcases the experience and savoir faire of such luminaries as prince charles on architecture arnold palmer on favorite golf courses luciano pavarotti on opera houses and baron philip de rothschild on the best vintages scores of experts name the 10 best islands poshest pubs and polo clubs best things

the 10 best of everything third edition an ultimate guide for - Sep 05 2023

web apr 3 2012 this deluxe entertaining dream guide showcases the experience and savoir faire of such luminaries as prince charles on architecture arnold palmer on favorite golf courses bob ellsasser head of the esteemed country walkers on the best walks and hiking tours and baron philip de rothschild on

the 10 best of everything an ultimate guide for tr 2023 - Jun 02 2023

web mar 22 2023 the ultimate travel guide offers an updated series of top ten lists covering top sporting events locations hotels restaurants and sunday afternoon excursions and more than thirty extraordinary trips and expeditions on every continent

the 10 best of everything an ultimate guide for tr 2022 - Mar 19 2022

web it will categorically ease you to look guide the 10 best of everything an ultimate guide for tr as you such as by searching the title publisher or authors of guide you in reality want you can discover them rapidly

the 10 best of everything an ultimate guide for tr - Sep 24 2022

web web aug 21 2019 your ultimate guide as the name implies should aim to be the best of the best that means capitalizing off of what your competitors are doing right and then making your content even better from groceries to gadgets the ultimate guide to online

the 10 best of everything third edition an ultimate guide for - Aug 04 2023

web may 20 2012 buy the 10 best of everything third edition an ultimate guide for travelers national geographic 10 best of everything an ultimate guide 3rd revised ed by lande nathaniel isbn 9781426208676 from amazon s book store everyday low prices and free delivery on eligible orders

the 10 best of everything an ultimate guide for tr book - May 21 2022

web the author s experience and their opinions on the best tactics for first time success if you are facing the frcs tr orth you need this book original triumph tr dec 26 2019 for years bill piggott s books original triumph tr2 3 3a and original triumph tr4 4a 5 6 have been the ultimate source of information for all things tr

the 10 best of everything an ultimate guide for tr book - Nov 26 2022

web it is your categorically own become old to comport yourself reviewing habit along with guides you could enjoy now is the 10 best of everything an ultimate guide for tr below american gardening 1889

the 10 best of everything an ultimate guide for tr pdf - Feb 27 2023

web the 10 best of everything an ultimate guide for tr the ultimate retirement planning guide for 2022 cnbc apr 17 2022 web sep 20 2022 the maximum amount you can contribute to a roth 401 k for 2022 is 20 500 if you re younger than age 50 this is an extra 1 000 over 2021 if you re age 50 and older you can add an extra the

10 best of everything the third edition an ultimate guide for - Oct 06 2023

web apr 3 2012 10 best of everything the third edition an ultimate guide for travelers national geographic 10 best of everything an ultimate guide lande nathaniel 9781426208676 amazon com books books

introducing palliative care paperback 13 jun 2016 - Jul 24 2022

web 416 pages isbn 978 0 992 84672 5 the new fifth edition of introducing palliative care published by uk based palliativedrugs com is a collaborative project between the

introducing palliative care 4th edition paperback - Sep 06 2023

web jun 30 2003 this highly successful and well established key introductory text for palliative care is now in its fourth edition it has been fully revised and updated throughout with

introduction to palliative care ppt slideshare - Jan 18 2022

web sep 15 2014 introduction to palliative care alison humphrey clinical nurse specialist in palliative care sth aims to explore development of palliative care

handbook of palliative care 4th edition wiley - Jan 30 2023

web buy introducing palliative care 4th edition by robert twycross 2003 06 30 by robert twycross isbn from amazon s book store everyday low prices and free delivery on

introducing palliative care 4th edition alibris - Feb 28 2023

web the 4th edition of handbook of palliative care supports non specialists in palliative care in both hospital and community settings and focuses on holistic care and therapeutic

introducing palliative care 4th edition by robert twycross 2003 - Dec 29 2022

web the 4th edition of handbook of palliative care supports non specialists in palliative care in both hospital and community settings and focuses on holistic care and therapeutic

introducing palliative care 4th edition twycross robert - May 02 2023

web introducing palliative care 4th edition twycross robert amazon com au books

introducing palliative care 4th edition scispace by typeset - May 22 2022

web nov 25 2016 the new fifth edition of introducing palliative care published by uk based palliativedrugs com is a collaborative project between the palliativedrugs com

introducing palliative care 4th edition amazon com - Oct 07 2023

web jun 30 2003 this highly successful and well established key introductory text for palliative care is now in its fourth edition it has been fully revised and updated throughout with

introducing palliative care robert g twycross google books - Aug 05 2023

web this highly successful and well established key introductory text for palliative care is now in its fourth edition it has been fully revised and updated throughout with greatly

introducing palliative care fourth edition introducing - Oct 27 2022

web feb 11 2004 introducing palliative care 4th edition nigel spry radiation oncologist sir charles gairdner hospital perth australia e mail nigel spry health wa gov au

handbook of palliative care 4th edition wiley - Nov 27 2022

web jun 17 2003 introducing palliative care robert twycross introducing palliative care fourth edition radcliffe m june 2003 nursing standard official newspaper of the

sheffield teaching hospital home - Nov 15 2021

introducing palliative care robert g twycross google books - Aug 25 2022

web introducing palliative care ipc5 is the ideal introductory text for training students in medicine and qualified healthcare professionals in the area of palliative care the fifth

introducing palliative care 4th edition spry 2004 european - Sep 25 2022

web radcliffe medical press 1999 hospice care 179 pages this book is a standard text for those with an interest in palliative care in this third edition there have been major

introduction to palliative care slideserve - Dec 17 2021

web ð Ĩ à á þ ÿ û þÿÿÿþÿÿÿë ì í î ï ð ñ ò ó ô õ ö ø ù ú

introducing palliative care 4th edition paperback amazon com au - Apr 01 2023

web this highly successful and well established key introductory text for palliative care is now in its fourth edition it has been fully revised and updated throughout with greatly

clinical practice guidelines for quality palliative care - Mar 20 2022

web apr 6 2011 8 5k views 43 slides role of palliative care in oncology drayush garg 2 4k views 47 slides the blindness and nerve damage caused by cmv is irreversible some

book review introducing palliative care 5th edition pmc - Apr 20 2022

web palliative care focuses on expert assessment and management of pain and other symptoms assessment and support of caregiver needs and coordination of care

introducing palliative care fourth edn robert twycross - Jul 04 2023

web this highly successful and well established key introductory text for palliative care is now in its fourth edition it has been fully revised and updated throughout with greatly

introducing palliative care 4th edition paperback amazon in - Jun 03 2023

web this highly successful and well established key introductory text for palliative care is now in its fourth edition it has been fully revised and updated throughout with greatly

introduction to palliative care ppt slideshare - Feb 16 2022

web oct 10 2014 introducing the concept of palliative care to undergraduate medical students who definition concept of total pain and basic pain management c chai eng

introducing palliative care 5th edition european journal of - Jun 22 2022

web this article is published in european journal of cancer care the article was published on 2004 03 01 it has received 6 citations till now the article focuses on the topics