



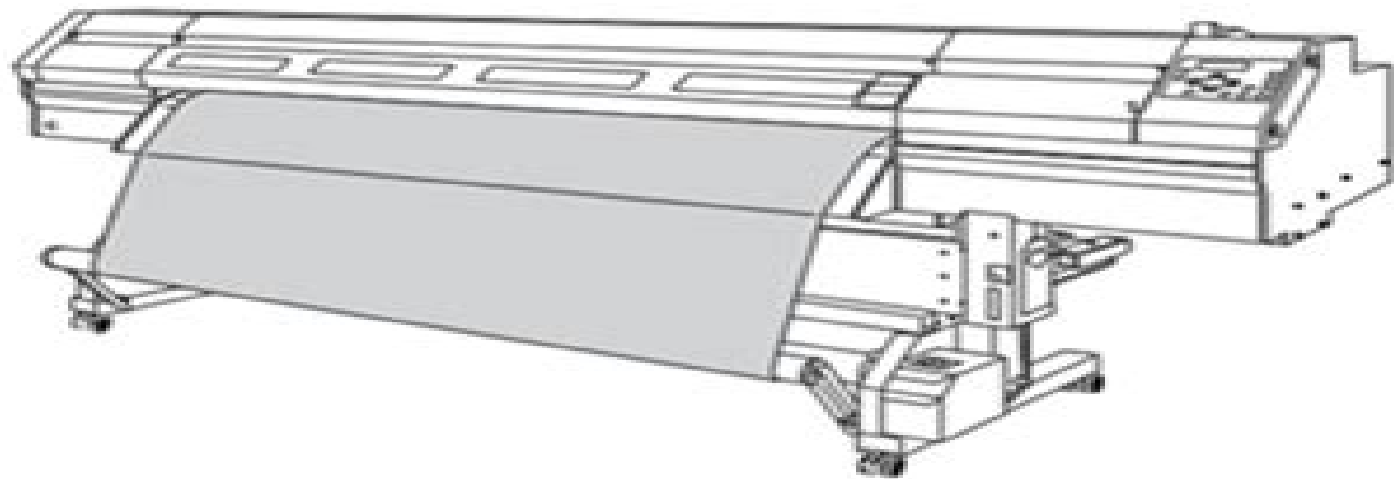
100% SATISFACTION GUARANTEE

DO
IT
YOUR
SELF



Instant Download

Roland XJ-740/XJ-640/XJ-540
Soljet Pro III
Eco-Solvent Inkjet Printer



Service · Repair · Maintenance

Roland Soljet Manual

Katrin Zwirgmaier



Roland Soljet Manual:

The Enigmatic Realm of **Roland Soljet Manual**: Unleashing the Language is Inner Magic

In a fast-paced digital era where connections and knowledge intertwine, the enigmatic realm of language reveals its inherent magic. Its capacity to stir emotions, ignite contemplation, and catalyze profound transformations is nothing short of extraordinary. Within the captivating pages of **Roland Soljet Manual** a literary masterpiece penned by way of a renowned author, readers set about a transformative journey, unlocking the secrets and untapped potential embedded within each word. In this evaluation, we shall explore the book's core themes, assess its distinct writing style, and delve into its lasting affect the hearts and minds of those that partake in its reading experience.

https://crm.avenza.com/book/publication/fetch.php/Physical_Therapy_Cpt_Codes_2014.pdf

Table of Contents Roland Soljet Manual

1. Understanding the eBook Roland Soljet Manual
 - The Rise of Digital Reading Roland Soljet Manual
 - Advantages of eBooks Over Traditional Books
2. Identifying Roland Soljet Manual
 - Exploring Different Genres
 - Considering Fiction vs. Non-Fiction
 - Determining Your Reading Goals
3. Choosing the Right eBook Platform
 - Popular eBook Platforms
 - Features to Look for in an Roland Soljet Manual
 - User-Friendly Interface
4. Exploring eBook Recommendations from Roland Soljet Manual
 - Personalized Recommendations
 - Roland Soljet Manual User Reviews and Ratings
 - Roland Soljet Manual and Bestseller Lists

5. Accessing Roland Soljet Manual Free and Paid eBooks
 - Roland Soljet Manual Public Domain eBooks
 - Roland Soljet Manual eBook Subscription Services
 - Roland Soljet Manual Budget-Friendly Options
6. Navigating Roland Soljet Manual eBook Formats
 - ePub, PDF, MOBI, and More
 - Roland Soljet Manual Compatibility with Devices
 - Roland Soljet Manual Enhanced eBook Features
7. Enhancing Your Reading Experience
 - Adjustable Fonts and Text Sizes of Roland Soljet Manual
 - Highlighting and Note-Taking Roland Soljet Manual
 - Interactive Elements Roland Soljet Manual
8. Staying Engaged with Roland Soljet Manual
 - Joining Online Reading Communities
 - Participating in Virtual Book Clubs
 - Following Authors and Publishers Roland Soljet Manual
9. Balancing eBooks and Physical Books Roland Soljet Manual
 - Benefits of a Digital Library
 - Creating a Diverse Reading Collection Roland Soljet Manual
10. Overcoming Reading Challenges
 - Dealing with Digital Eye Strain
 - Minimizing Distractions
 - Managing Screen Time
11. Cultivating a Reading Routine Roland Soljet Manual
 - Setting Reading Goals Roland Soljet Manual
 - Carving Out Dedicated Reading Time
12. Sourcing Reliable Information of Roland Soljet Manual
 - Fact-Checking eBook Content of Roland Soljet Manual
 - Distinguishing Credible Sources
13. Promoting Lifelong Learning

- Utilizing eBooks for Skill Development
 - Exploring Educational eBooks
14. Embracing eBook Trends
- Integration of Multimedia Elements
 - Interactive and Gamified eBooks

Roland Soljet Manual Introduction

Free PDF Books and Manuals for Download: Unlocking Knowledge at Your Fingertips In today's fast-paced digital age, obtaining valuable knowledge has become easier than ever. Thanks to the internet, a vast array of books and manuals are now available for free download in PDF format. Whether you are a student, professional, or simply an avid reader, this treasure trove of downloadable resources offers a wealth of information, conveniently accessible anytime, anywhere. The advent of online libraries and platforms dedicated to sharing knowledge has revolutionized the way we consume information. No longer confined to physical libraries or bookstores, readers can now access an extensive collection of digital books and manuals with just a few clicks. These resources, available in PDF, Microsoft Word, and PowerPoint formats, cater to a wide range of interests, including literature, technology, science, history, and much more. One notable platform where you can explore and download free Roland Soljet Manual PDF books and manuals is the internet's largest free library. Hosted online, this catalog compiles a vast assortment of documents, making it a veritable goldmine of knowledge. With its easy-to-use website interface and customizable PDF generator, this platform offers a user-friendly experience, allowing individuals to effortlessly navigate and access the information they seek. The availability of free PDF books and manuals on this platform demonstrates its commitment to democratizing education and empowering individuals with the tools needed to succeed in their chosen fields. It allows anyone, regardless of their background or financial limitations, to expand their horizons and gain insights from experts in various disciplines. One of the most significant advantages of downloading PDF books and manuals lies in their portability. Unlike physical copies, digital books can be stored and carried on a single device, such as a tablet or smartphone, saving valuable space and weight. This convenience makes it possible for readers to have their entire library at their fingertips, whether they are commuting, traveling, or simply enjoying a lazy afternoon at home. Additionally, digital files are easily searchable, enabling readers to locate specific information within seconds. With a few keystrokes, users can search for keywords, topics, or phrases, making research and finding relevant information a breeze. This efficiency saves time and effort, streamlining the learning process and allowing individuals to focus on extracting the information they need. Furthermore, the availability of free PDF books and manuals fosters a culture of continuous learning. By removing financial barriers, more people can access educational resources and pursue lifelong learning, contributing to personal

growth and professional development. This democratization of knowledge promotes intellectual curiosity and empowers individuals to become lifelong learners, promoting progress and innovation in various fields. It is worth noting that while accessing free Roland Soljet Manual PDF books and manuals is convenient and cost-effective, it is vital to respect copyright laws and intellectual property rights. Platforms offering free downloads often operate within legal boundaries, ensuring that the materials they provide are either in the public domain or authorized for distribution. By adhering to copyright laws, users can enjoy the benefits of free access to knowledge while supporting the authors and publishers who make these resources available. In conclusion, the availability of Roland Soljet Manual free PDF books and manuals for download has revolutionized the way we access and consume knowledge. With just a few clicks, individuals can explore a vast collection of resources across different disciplines, all free of charge. This accessibility empowers individuals to become lifelong learners, contributing to personal growth, professional development, and the advancement of society as a whole. So why not unlock a world of knowledge today? Start exploring the vast sea of free PDF books and manuals waiting to be discovered right at your fingertips.

FAQs About Roland Soljet Manual Books

How do I know which eBook platform is the best for me? Finding the best eBook platform depends on your reading preferences and device compatibility. Research different platforms, read user reviews, and explore their features before making a choice. Are free eBooks of good quality? Yes, many reputable platforms offer high-quality free eBooks, including classics and public domain works. However, make sure to verify the source to ensure the eBook credibility. Can I read eBooks without an eReader? Absolutely! Most eBook platforms offer web-based readers or mobile apps that allow you to read eBooks on your computer, tablet, or smartphone. How do I avoid digital eye strain while reading eBooks? To prevent digital eye strain, take regular breaks, adjust the font size and background color, and ensure proper lighting while reading eBooks. What the advantage of interactive eBooks? Interactive eBooks incorporate multimedia elements, quizzes, and activities, enhancing the reader engagement and providing a more immersive learning experience. Roland Soljet Manual is one of the best book in our library for free trial. We provide copy of Roland Soljet Manual in digital format, so the resources that you find are reliable. There are also many Ebooks of related with Roland Soljet Manual. Where to download Roland Soljet Manual online for free? Are you looking for Roland Soljet Manual PDF? This is definitely going to save you time and cash in something you should think about.

Find Roland Soljet Manual :

physical therapy cpt codes 2014

physics concept development circuit resistance answers

~~physical sciences paper memorandum november 21~~

physical sciences grade 12 fsdoe march 2014

physics 2homework serway 8th edition

physical science spring exam 2study guide

physicians guide for disability evaluation examinations

physical science test review answers

physical sciencegrade 11 june exam exemplar 2014 paper 2

physical science pseptember 2014

physical sciences paper grade 12013

physics by walker solutions manual

physical sciences chemistry p2 memorandam 2013 grade11

physics 111 lab manual answers 13th edition

physical sciences grade1november scope

Roland Soljet Manual :

Exploring Lifespan Development (3rd Edition) ... Authored by Laura Berk, MyDevelopmentLab for Exploring Lifespan Development engages students through personalized learning, and helps them better prepare ... Exploring Lifespan Development, Books a la ... Amazon.com: Exploring Lifespan Development, Books a la Carte Edition (3rd Edition): 9780205958702: Berk, Laura E.: Books. Exploring Lifespan Development (3rd Edition) (... Authored by Laura Berk, MyDevelopmentLab for Exploring Lifespan Development engages students through personalized learning, and helps them better prepare for ... Exploring Lifespan Development | Rent | 9780205957385 Berk. Published by Pearson on November 27, 2013, the 3rd edition of Exploring Lifespan Development is a revision by main author Laura E. Berk with advanced info ... Exploring lifespan development Exploring lifespan development ; Author: Laura E. Berk ; Edition: Third edition View all formats and editions ; Publisher: Pearson, Boston, 2014. Exploring Lifespan Development 3rd Edition ... Exploring Lifespan Development 3rd Edition Laura Berk ; Publication Year. 2013 ; Format. Trade Paperback ; Accurate description. 5.0 ; Reasonable shipping cost. 4.8. Exploring Lifespan Development, Books a la Carte Edition ... Exploring Lifespan Development,

Books a la Carte Edition (3rd Edition) · by Laura E. Berk · by Laura E. Berk · About this item · Product details · Marketplace prices. Exploring Lifespan Development (3rd Edition) (Berk, ... Exploring Lifespan Development (3rd Edition) (Berk, Lifespan Development Series); Author: Berk, Laura E; Format/Binding: Paperback; Book Condition: Used - Good ... Exploring Lifespan Development (3rd Edition) ... Paperback; Edition: 3; Author: Laura E. Berk; Publisher: Pearson; Release Date: 2013; ISBN-10: 0205957382; ISBN-13: 9780205957385; List Price: \$203.80. Exploring Lifespan Development third Edition ... Condition. Brand New ; Quantity. 1 available ; Item Number. 285075402495 ; Format. binder-ready ; Language. English ...

Management: Griffin, Ricky W. - Books - Amazon Gain a solid understanding of management and the power of innovation in the workplace with Griffin's MANAGEMENT, 11E. This dynamic book, known for its ... Management-by-Ricky-W.-GRiffin.pdf Cengage Learning's CourseMate helps you make the most of your study time by accessing everything you need to succeed in one place. • An Interactive eBook with. Management - Ricky W. Griffin Feb 16, 2012 — This latest edition builds on proven success to help your students strengthen their management skills with an effective balance of theory and ... Management 11th Edition Principals and Practices Ricky ... Management 11th Edition Principals and Practices Ricky Griffin College Textbook - Picture 1 of 2 · Management 11th Edition Principals and Practices Ricky Griffin ... Management 11th edition (9781111969714) This book's reader-friendly approach examines today's emerging management topics, from the impact of technology and importance of a green business environment ... Management: Principles and Practices - Ricky W. Griffin Gain a solid understanding of management and the power of innovation in the workplace with Griffin's MANAGEMENT: PRINCIPLES AND PRACTICES, 11E, ... Ricky W. GRIFFIN ... Griffin/Moorhead's Organizational Behavior: Managing People and Organizations, 11th. ISBN 9781133587781 (978-1-133-58778-1) Cengage Learning, 2014. Find This ... Management Principles Practices by Ricky Griffin MANAGEMENT: PRINCIPLES AND PRACTICES, INTERNATIONAL EDITION, 10TH: Ricky W. ... ISBN 13: 9780538467773. Seller: Follow Books FARMINGTON HILLS, MI, U.S.A.. Seller ... Ricky W Griffin | Get Textbooks Organizational Behavior(11th Edition) Managing People and Organizations by Ricky W. Griffin, Gregory Moorhead Hardcover, 624 Pages, Published 2013 by ... Books by Ricky Griffin Management(11th Edition) (MindTap Course List) by Ricky W. Griffin Hardcover, 720 Pages, Published 2012 by Cengage Learning ISBN-13: 978-1-111-96971-4, ISBN ... Exercises in Programming Style: Lopes, Cristina Videira Exercises in Programming Style: Lopes, Cristina Videira Exercises in Programming Style by Lopes, Cristina Videira This book solves a simple problem in Python over and over again. Each time it uses a different style of programming, some of which are idiomatic, and some of ... crista/exercises-in-programming-style GitHub - crista/exercises-in-programming-style: Comprehensive collection of programming styles using a simple computational task, term frequency. Exercises in Programming Style - 2nd Edition The first edition of Exercises in Programming Style was honored as an ACM Notable Book and praised as "The best programming book of the decade. Exercises in Programming Style Mar 19, 2018 — For example: Trinity instead of MVC, Things instead of Objects, Hollywood

instead of Callbacks, Bulletin Board instead of Pub/Sub and Kick ... Exercises in Programming Style [Book] The book complements and explains the raw code in a way that is accessible to anyone who regularly practices the art of programming. The book can also be used ... Exercises in Programming Style | Cristina Videira Lopes by CV Lopes · 2020 · Cited by 22 — The first edition of Exercises in Programming Style was honored as an ACM Notable Book and praised as "The best programming book of the ... Exercises in Programming Style | Henrik Warne's blog Mar 13, 2018 — The inspiration is a book from the 1940s by the French writer Raymond Queneau called Exercises in Style. In it, he tells the same short story in ... Exercises in programming style (2014) - Cristina Videira Lopes Oct 30, 2023 — This book provides a clear and understandable overview of different programming styles. Each chapter explains the style, offers a commentary ... Book review: Exercises in Programming Style by Cristina ... Feb 19, 2021 — Exercises in Programming Style takes a simple exercise: counting the frequency of words in a file and reporting the top 25 words, and writes a ...