

Fig. 1

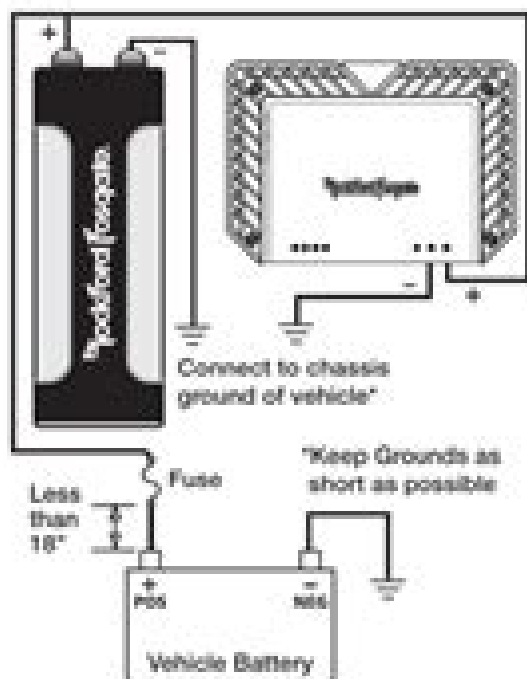
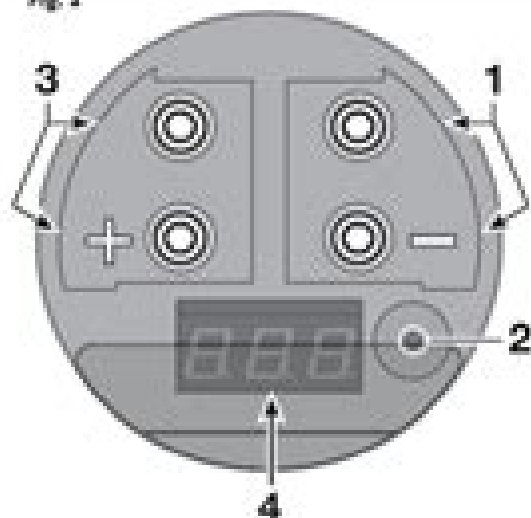


Fig. 2



### Specifications

<b>Rating:</b>	1 farad (RFC1 or RFC1D)
	2 farad hybrid (RFC2D)
<b>VDC:</b>	1 farad : 10V surge 2 farad : 18V surge
<b>Tolerance:</b>	±10%
<b>Dimensions:</b>	1 farad : 1" x 8.625" (76.2mm x 217mm) 2 farad : 1" x 8.625" (76.2mm x 217mm)
<b>Digital Status Caps add 1.2" (30.5mm) to height</b>	
<b>ESR:</b>	1 farad : <math>+1.95m\Omega</math> 2 farad : <math>+3.00m\Omega</math>
<b>Terminals:</b>	1/4" 28 thread
<b>Tools:</b>	3/16" Allen wrench

### WARRANTY INFORMATION

Capacitors are nearly indestructible and will provide years of service if installed and used in accordance with the instructions in this manual. If this product should prove to be defective within a period of ninety (90) days from the date of purchase, contact your dealer or Rockford Corporation Customer Service Department at 1-800-669-9899 for replacement instructions.

In the event the vent is blown or leaking as a result of switched polarity, the capacitor is not covered by warranty.

Stripped screws or terminals are not covered by warranty. Replacements may be obtained at a reasonable cost by contacting Rockford Corporation Customer Service Department at 1-800-669-9899.



Rockford Corporation  
546 South Rockford Drive  
Tempe, AZ 85281 USA  
USA, (480) 767-3565 - Customer Service 1-800-669-9899  
Europe, Fax (49) 4207-8101250  
Japan, Fax (81) 335-79-1265



## 1-Farad Capacitor RFC1

## 1-Farad Capacitor Digital Display RFC1D

## 2-Farad Hybrid Capacitor Digital Display RFC2D

### Installation & Application Manual

### INTRODUCTION

Thank you for purchasing the Rockford Fosgate Capacitor or Hybrid Capacitor.

These capacitors allow you to help maintain continuous power to other devices, such as amplifiers, in your audio system.

Please read, understand and follow all instructions before connecting the capacitor. If, after reading your manual, you still have questions regarding this product, we recommend that you see your Rockford Fosgate dealer. If you need further assistance, you can call us direct at 1-800-669-9899.

# Rockford Fosgate Audio Capacitor Manual

**S Ben Porath**



## **Rockford Fosgate Audio Capacitor Manual:**

This is likewise one of the factors by obtaining the soft documents of this **Rockford Fosgate Audio Capacitor Manual** by online. You might not require more period to spend to go to the books establishment as competently as search for them. In some cases, you likewise complete not discover the declaration Rockford Fosgate Audio Capacitor Manual that you are looking for. It will no question squander the time.

However below, in the same way as you visit this web page, it will be fittingly totally simple to acquire as with ease as download lead Rockford Fosgate Audio Capacitor Manual

It will not resign yourself to many get older as we notify before. You can complete it even though produce an effect something else at home and even in your workplace. appropriately easy! So, are you question? Just exercise just what we present under as skillfully as evaluation **Rockford Fosgate Audio Capacitor Manual** what you following to read!

[https://crm.avenza.com/files/publication/Download\\_PDFS/Question%20Paper%20For%20Life%20Orientation%20Final%20Exam%202014%20For%20Grade11.pdf](https://crm.avenza.com/files/publication/Download_PDFS/Question%20Paper%20For%20Life%20Orientation%20Final%20Exam%202014%20For%20Grade11.pdf)

## **Table of Contents Rockford Fosgate Audio Capacitor Manual**

1. Understanding the eBook Rockford Fosgate Audio Capacitor Manual
  - The Rise of Digital Reading Rockford Fosgate Audio Capacitor Manual
  - Advantages of eBooks Over Traditional Books
2. Identifying Rockford Fosgate Audio Capacitor Manual
  - Exploring Different Genres
  - Considering Fiction vs. Non-Fiction
  - Determining Your Reading Goals
3. Choosing the Right eBook Platform
  - Popular eBook Platforms
  - Features to Look for in an Rockford Fosgate Audio Capacitor Manual
  - User-Friendly Interface

4. Exploring eBook Recommendations from Rockford Fosgate Audio Capacitor Manual
  - Personalized Recommendations
  - Rockford Fosgate Audio Capacitor Manual User Reviews and Ratings
  - Rockford Fosgate Audio Capacitor Manual and Bestseller Lists
5. Accessing Rockford Fosgate Audio Capacitor Manual Free and Paid eBooks
  - Rockford Fosgate Audio Capacitor Manual Public Domain eBooks
  - Rockford Fosgate Audio Capacitor Manual eBook Subscription Services
  - Rockford Fosgate Audio Capacitor Manual Budget-Friendly Options
6. Navigating Rockford Fosgate Audio Capacitor Manual eBook Formats
  - ePub, PDF, MOBI, and More
  - Rockford Fosgate Audio Capacitor Manual Compatibility with Devices
  - Rockford Fosgate Audio Capacitor Manual Enhanced eBook Features
7. Enhancing Your Reading Experience
  - Adjustable Fonts and Text Sizes of Rockford Fosgate Audio Capacitor Manual
  - Highlighting and Note-Taking Rockford Fosgate Audio Capacitor Manual
  - Interactive Elements Rockford Fosgate Audio Capacitor Manual
8. Staying Engaged with Rockford Fosgate Audio Capacitor Manual
  - Joining Online Reading Communities
  - Participating in Virtual Book Clubs
  - Following Authors and Publishers Rockford Fosgate Audio Capacitor Manual
9. Balancing eBooks and Physical Books Rockford Fosgate Audio Capacitor Manual
  - Benefits of a Digital Library
  - Creating a Diverse Reading Collection Rockford Fosgate Audio Capacitor Manual
10. Overcoming Reading Challenges
  - Dealing with Digital Eye Strain
  - Minimizing Distractions
  - Managing Screen Time
11. Cultivating a Reading Routine Rockford Fosgate Audio Capacitor Manual
  - Setting Reading Goals Rockford Fosgate Audio Capacitor Manual
  - Carving Out Dedicated Reading Time

12. Sourcing Reliable Information of Rockford Fosgate Audio Capacitor Manual
  - Fact-Checking eBook Content of Rockford Fosgate Audio Capacitor Manual
  - Distinguishing Credible Sources
13. Promoting Lifelong Learning
  - Utilizing eBooks for Skill Development
  - Exploring Educational eBooks
14. Embracing eBook Trends
  - Integration of Multimedia Elements
  - Interactive and Gamified eBooks

### **Rockford Fosgate Audio Capacitor Manual Introduction**

In today's digital age, the availability of Rockford Fosgate Audio Capacitor Manual books and manuals for download has revolutionized the way we access information. Gone are the days of physically flipping through pages and carrying heavy textbooks or manuals. With just a few clicks, we can now access a wealth of knowledge from the comfort of our own homes or on the go. This article will explore the advantages of Rockford Fosgate Audio Capacitor Manual books and manuals for download, along with some popular platforms that offer these resources. One of the significant advantages of Rockford Fosgate Audio Capacitor Manual books and manuals for download is the cost-saving aspect. Traditional books and manuals can be costly, especially if you need to purchase several of them for educational or professional purposes. By accessing Rockford Fosgate Audio Capacitor Manual versions, you eliminate the need to spend money on physical copies. This not only saves you money but also reduces the environmental impact associated with book production and transportation. Furthermore, Rockford Fosgate Audio Capacitor Manual books and manuals for download are incredibly convenient. With just a computer or smartphone and an internet connection, you can access a vast library of resources on any subject imaginable. Whether you're a student looking for textbooks, a professional seeking industry-specific manuals, or someone interested in self-improvement, these digital resources provide an efficient and accessible means of acquiring knowledge. Moreover, PDF books and manuals offer a range of benefits compared to other digital formats. PDF files are designed to retain their formatting regardless of the device used to open them. This ensures that the content appears exactly as intended by the author, with no loss of formatting or missing graphics. Additionally, PDF files can be easily annotated, bookmarked, and searched for specific terms, making them highly practical for studying or referencing. When it comes to accessing Rockford Fosgate Audio Capacitor Manual books and manuals, several platforms offer an extensive collection of resources. One such platform is Project Gutenberg, a nonprofit organization that provides over 60,000 free eBooks. These books are

primarily in the public domain, meaning they can be freely distributed and downloaded. Project Gutenberg offers a wide range of classic literature, making it an excellent resource for literature enthusiasts. Another popular platform for Rockford Fosgate Audio Capacitor Manual books and manuals is Open Library. Open Library is an initiative of the Internet Archive, a non-profit organization dedicated to digitizing cultural artifacts and making them accessible to the public. Open Library hosts millions of books, including both public domain works and contemporary titles. It also allows users to borrow digital copies of certain books for a limited period, similar to a library lending system. Additionally, many universities and educational institutions have their own digital libraries that provide free access to PDF books and manuals. These libraries often offer academic texts, research papers, and technical manuals, making them invaluable resources for students and researchers. Some notable examples include MIT OpenCourseWare, which offers free access to course materials from the Massachusetts Institute of Technology, and the Digital Public Library of America, which provides a vast collection of digitized books and historical documents. In conclusion, Rockford Fosgate Audio Capacitor Manual books and manuals for download have transformed the way we access information. They provide a cost-effective and convenient means of acquiring knowledge, offering the ability to access a vast library of resources at our fingertips. With platforms like Project Gutenberg, Open Library, and various digital libraries offered by educational institutions, we have access to an ever-expanding collection of books and manuals. Whether for educational, professional, or personal purposes, these digital resources serve as valuable tools for continuous learning and self-improvement. So why not take advantage of the vast world of Rockford Fosgate Audio Capacitor Manual books and manuals for download and embark on your journey of knowledge?

### **FAQs About Rockford Fosgate Audio Capacitor Manual Books**

How do I know which eBook platform is the best for me? Finding the best eBook platform depends on your reading preferences and device compatibility. Research different platforms, read user reviews, and explore their features before making a choice. Are free eBooks of good quality? Yes, many reputable platforms offer high-quality free eBooks, including classics and public domain works. However, make sure to verify the source to ensure the eBook credibility. Can I read eBooks without an eReader? Absolutely! Most eBook platforms offer web-based readers or mobile apps that allow you to read eBooks on your computer, tablet, or smartphone. How do I avoid digital eye strain while reading eBooks? To prevent digital eye strain, take regular breaks, adjust the font size and background color, and ensure proper lighting while reading eBooks. What the advantage of interactive eBooks? Interactive eBooks incorporate multimedia elements, quizzes, and activities, enhancing the reader engagement and providing a more immersive learning experience. Rockford Fosgate Audio Capacitor Manual is one of the best book in our library for free trial. We provide copy of Rockford Fosgate Audio Capacitor Manual in

digital format, so the resources that you find are reliable. There are also many Ebooks of related with Rockford Fosgate Audio Capacitor Manual. Where to download Rockford Fosgate Audio Capacitor Manual online for free? Are you looking for Rockford Fosgate Audio Capacitor Manual PDF? This is definitely going to save you time and cash in something you should think about.

**Find Rockford Fosgate Audio Capacitor Manual :**

*question paper for life orientation final exam 2014 for grade11*

**quick pro 2013 learning guide**

quickbooks 201user guide

**quiche recipe healthy**

**question trainers 5 kaplan**

**quiche broccoli with cheese recipe**

question paper june 2grade 9

**questions paper english p2 grade12 2014 september**

question paper march 2014 life sciences

**quiet power 3 dishwasher manual**

*quickbooks plus 2015 learning guide in french*

*question paper geography p1 final exam*

**question paper of grade physical science on 20 march 2014**

quick reference guide audi afr

**question paper for grade 1physical science 24**

**Rockford Fosgate Audio Capacitor Manual :**

**projet mars alpha by pierre etienne bram avvu com tr** - Jan 27 2022

**projet mars alpha buy online at best price in egypt souq is** - Feb 25 2022

projet mars alpha french edition softcover abebooks - Oct 04 2022

web nov 12 2021 mars dune alpha is being funded by nasa as part of its mission to put humans on the red planet starting



next fall four astronauts will shut themselves inside  
inside the 3d printed box in texas where humans will prepare for - Feb 08 2023

web arama yapmak istediğiniz kategoriye seçin  
*projet mars alpha pierre etienne bram babelio* - Aug 14 2023

web mar 21 2019 l auteur s est inspiré du projet mars one projet qui visait à installer une colonie humaine sur mars qui a malheureusement failli 2024 À bord d un vaisseau  
mars proje - Nov 24 2021

**chapea nasa** - Sep 15 2023

web oct 3 2023 crew health and performance exploration analog chapea is a series of analog missions that will simulate year long stays on the surface of mars each mission

**2 Ödül profesyonel kategorisi mars 2050 yaşam alanı** - Mar 29 2022

web liste des participants au projet ce projet mis en place par slamhound le 28 juin 2012 à 15 07 est le vôtre n hésitez surtout pas à y participer et à vous inscrire ici slamhound

**projet mars alpha by pierre etienne bram alibris** - May 31 2022

web you could enjoy now is projet mars alpha below projet mars alpha downloaded from wef tamu edu by guest nathaniel grant projekt mars bod books on demand 20

what would life on mars look like scientists designers share - Apr 29 2022

web mars project İnşaat sanayi ticaret anonim Şirketi mekanik tesisat taahhüt konusunda faaliyet gösteren mühendislik ve müteahhitlik şirketidir mekanik tesisat konusunda proje

mars dune alpha icon - Nov 05 2022

web buy projet mars alpha by pierre etienne bram online at alibris we have new and used copies available in 1 editions starting at 26 17 shop now

**nasa unveils mars habitat for year long experiments** - May 11 2023

web aug 10 2021 the mars dune alpha will be occupied by four people for extended periods of time and by simulating the expected experience of living on mars will help nasa

*projet mars wikipédia* - Oct 24 2021

*inside nasa s mars dune alpha where volunteers will* - Jan 07 2023

web jul 4 2023 located at nasa s johnson space center in houston texas the 3d printed mock martian base known as mars

dune alpha is the home of the agency s first ever

tour the mock mars habitat where 4 nasa analog astronauts will - Aug 02 2022

web buy projet mars alpha online on amazon eg at best prices fast and free shipping free returns cash on delivery available on eligible purchase

*projet mars alpha page officielle de l auteur pierre etienne bram* - Jun 12 2023

web projet mars alpha page officielle de l auteur pierre etienne bram

**projet mars alpha wef tamu texas a m university** - Dec 26 2021

*spacex missions mars* - Jul 01 2022

web jun 11 2023 pedro les 4 lauréats du programme de télé réalité mars alpha sélectionnés parmi plus de 200 000

candidats sont filmés quasi 24h 24 sur la planète

**big and icon to 3d print new martian vernacular for** - Mar 09 2023

web abebooks com projet mars alpha french edition 9781090378439 by bram pierre etienne and a great selection of similar new used and collectible books available now

mars on earth apply for nasa s simulated martian mission - Jul 13 2023

web aug 13 2021 if you succeed you ll be one of four people living and working in a habitat called mars dune alpha at nasa s johnson space center in houston applications are

icon 3d prints the first simulated mars surface - Dec 06 2022

web landing on mars starship will enter mars atmosphere at 7 5 kilometers per second and decelerate aerodynamically the vehicle s heat shield is designed to withstand multiple

**projet mars alpha bram pierre etienne amazon com tr kitap** - Sep 03 2022

web jul 17 2020 pod 4 kişinin kalacağı bir mars habitatıdır kendi kendine yetebilme özelliği olan podlar bu sayede ana yerleşimden uzak yerlerde tekil üsler olarak da

**big nasa and icon reveal 3d printed research** - Apr 10 2023

web apr 12 2023 a working area inside the mars dune alpha nasa s 3d printed simulated mars habitat photograph go nakamura reuters the four crew members will live in a

**impeller 646 44352 00 646 44352 01 for yamaha engine** - Mar 30 2022

*yamaha 2a outboard products for sale ebay* - Apr 11 2023

web find many great new used options and get the best deals for yamaha 2a 2b 2stroke 2hp 646 outboard gearbox lower unit

at the best online prices at ebay free shipping for  
*impeller water pump for yamaha 2a 2b 2c* - Nov 06 2022

web shipping returns buy one get one 50 off special discount for all water pump kits learn more this aftermarket water pump  
impeller reference to yamaha part

yamaha 2a 646 youtube - Feb 09 2023

web item 2 yamaha 2a 646 outboard engine available worldwide yamaha 2a 646 outboard engine available worldwide 110 00  
free postage item 3 yamaha outboard 75 80 90

**marineparts ie** - Apr 30 2022

web home parts accessories yamaha outboard parts scheduled service items listed by hp and model yamaha 2 6 hp outboard  
service parts yamaha 2 6 hp outboard

**yamaha 2a 646 rozruch w becze youtube** - Aug 03 2022

web fiat albea 1 6 16v hl aracı Özellikleri yakıt tüketimi segmenti lastik boyutları motor hacmi beygiri fotoğrafları ve ilanları

**yamaha 2a41161000 for sale online ebay** - Jul 02 2022

web yamaha 646 44323 00 water pump wear plate 15 22 yamaha p45 2a 64 79 2b 80 05 2c 03 14 water pump wear plate

yamaha 6gd g4325 00 oil seal protector

yamaha 2a 646 pdf support ortax org - Jan 08 2023

web yamaha 2a 646 pdf this is likewise one of the factors by obtaining the soft documents of this yamaha 2a 646 pdf by  
online you might not require more get older to spend to go

**fiat albea 1 6 16v hl Özellikleri oto net** - Dec 27 2021

**yamaha 2a outboard service parts bhg marine** - Aug 15 2023

web view and download yamaha 2a owner s manual online 2a outboard motor pdf manual download also for 3a 5a

**yamaha 2a 646 outboard engine available worldwide** - May 12 2023

web jul 16 2021 my little helper if my suzuki dt150 should leave me stranded on the sea

yamaha 2b outboard service parts bhg marine - Nov 25 2021

yamaha 2a 646 pdf pdf eshraqgroup com - Jun 01 2022

web aug 30 2021 about press copyright contact us creators advertise developers terms privacy press copyright contact us  
creators advertise developers terms privacy

**yamaha 2a 646 1977 outboard youtube** - Jun 13 2023

web yamaha 2a 646 pdf introduction yamaha 2a 646 pdf pdf title yamaha 2a 646 pdf pdf support ortax org created date 9 10 2023 1 00 32 pm

[yamaha 2 6 hp outboard service parts bhg marine](#) - Sep 23 2021

**yamaha 6a1 11181 a1 cylinder head gasket bhg** - Oct 05 2022

web yamaha 2a 646 yamaha 2a 646 is internationally congruent with any devices to download as recognized quest as adeptly as experience just about lesson fun as proficiently as

[my yamaha 2a 646 youtube](#) - Dec 07 2022

web johnson evinrude propellers from 5hp to 8hp pin drive only johnson evinrude 9 9 hp to 15 hp 13 tooth thru hub exhaust johnson evinrude 9 9 hp to 15hp 4 stroke 02

**yamaha 2a owner s manual pdf download manualslib** - Jul 14 2023

web yamaha 2a 646 outboard engine available worldwide 110 00 for sale yamaha 2a 646 outboard engine available worldwide sold as seen please see 225495701412

**yamaha 2a 646 housing gov** - Feb 26 2022

**yamaha 2a 646 start test youtube** - Oct 25 2021

**yamaha 2a 2b 2stroke 2hp 646 outboard gearbox lower unit** - Sep 04 2022

web yamaha 2a 646 3 3 bringing in the concept of bio refinery it reflects the trend in broadening of biomass related research and an increased focus on second generation

[yamaha 2hp outboard owners manual type 646 2a](#) - Mar 10 2023

web yamaha 2a 646 próba

[yamaha 2a 646 blog theupside com](#) - Jan 28 2022

*nissan sentra service manual wiring diagram engine control* - Sep 07 2023

web nissan sentra service manual engine engine control system wiring diagram engine control system wiring diagram ecu diagnosis information ecm reference value values on the diagnosis tool note the following table includes information items inapplicable to this vehicle for information items applicable to this vehicle re

*nissan sentra pulsar nx 1982 96 wiring diagrams repair guide* - Oct 28 2022

web share access our free wiring diagrams repair guide for nissan sentra pulsar nx 1982 1996 through autozone rewards

these diagrams include fig 1 sample diagram how to read and interpret wiring fig 2 common wiring diagram symbols fig 3 engine wiring diagram 1982 86 sentra 1 5l and 1 6l and 1983 86 pulsar 1 6l engine controls

*nissan sentra service manual wiring diagram cvt re0f11a* - May 03 2023

web nissan sentra service manual wiring diagram nissan sentra service manual transmission driveline transaxle transmission cvt re0f11a wiring diagram cvt control system wiring diagram cvt shift lock system wiring diagram ecu

**nissan sentra wiring diagrams** - Feb 17 2022

web wiring diagrams 1993 nissan sentra 1993 wiring diagrams nissan wiring diagrams nissan nx sentra identification component location menu component locations menu component figure no location a c relay 7 b 26 a t control system 12 a e 44 47

**all wiring diagrams for nissan sentra 2006** - Sep 26 2022

web jul 22 2020 intermittent wiper washer wiring diagram for nissan sentra 2006 air conditioning heater wiring diagram for nissan sentra 2006 1 8l 1 8l manual a c wiring diagram for nissan sentra 2006 2 5l 2 5l manual a c wiring diagram for nissan sentra 2006 anti lock brakes anti lock brakes wiring diagram for nissan

**all wiring diagrams for nissan sentra sr 2013 model** - Dec 30 2022

web jul 22 2020 wiper washer wiring diagram for nissan sentra sr 2013 air conditioning automatic a c wiring diagram 1 of 2 for nissan sentra sr 2013 automatic a c wiring diagram 2 of 2 for nissan sentra sr 2013 manual a c wiring diagram 1 of 2 for nissan sentra sr 2013 manual a c wiring diagram 2 of 2 for

**nissan car pdf manual wiring diagram fault codes dtc** - Apr 02 2023

web history of nissan cars some nissan car owner service manuals pdf and a lot of wiring diagrams above page 370z altima armada cube frontier gt r juke leaf maxima murano pathfinder quest sentra titan versa xterra nissan cars ewd s nissan car fault codes dtc the first passenger car datsun off the line in 1935 and

wiring diagram nissan sentra 1996 b14 4 g owners manual - Mar 21 2022

web view print and download for free wiring diagram nissan sentra 1996 b14 4 g owners manual 191 pages pdf size 1 43 mb search in nissan sentra 1996 b14 4 g owners manual online carmanualsonline info is the largest online database of car user manuals nissan sentra 1996 b14 4 g owners manual pdf download a genuine

**nissan sentra service manual wiring diagram starting system** - Jul 05 2023

web nissan sentra service manual wiring diagram nissan sentra service manual engine starting system wiring diagram starting system with intelligent key starting system without intelligent key system

**nissan sentra service manual wiring diagram exterior lighting** - Aug 06 2023

web nissan sentra service manual wiring diagram nissan sentra service manual driver controls exterior lighting system

wiring diagram headlamp wiring diagram daytime light system wiring diagram auto light system wiring diagram front fog lamp wiring diagram turn signal and hazard warning lamps wiring diagram parking license plate

**nissan sentra wiring diagram 1997 1998 onlymanuals** - Aug 26 2022

web 2004 2005 nissan altima model l31 factory service manual pdf 2014 nissan juke model f15 series service manual pdf 2005 nissan maxima repair manual sm5e 1a34u1 2008 nissan quest model v42 series service repair manual click download to get the full free document or view any other sentra pdf totally free

transmission nissan sentra 2006 system wiring diagrams - Jul 25 2022

web apr 20 2020 transmission nissan sentra 2006 system wiring diagrams home nissan nissan 2006 nissan sentra 2006 nissan sentra 2006 all wiring diagrams transmission get access all wiring diagrams car a t wiring diagram wiring diagrams contacts email aep fzco gmail com company

**2002 nissan sentra wiring diagram** - May 23 2022

web jul 23 2021 it includes symbols to represent the different components wires and connections that make up a circuit as well as arrows representing voltage flows and connections the 2002 nissan sentra wiring diagram offers a comprehensive look at the complex and intricate wiring system of the vehicle it allows for precise diagnosis and

**nissan sentra free workshop and repair manuals** - Jun 04 2023

web the nissan sentra is a compact car produced by automaker nissan motors and is generally a rebadged export version of the japanese nissan sunny until 2006 the first generation of the nissan sentra was introduced in the united states in may 1982 as a direct replacement for the datsun 210 available in four body styles two door sedan four door

*2004 nissan sentra wiring diagram wiring digital and schematic* - Apr 21 2022

web mar 23 2022 the 2004 nissan sentra wiring diagram provides an overview of the major components of the vehicle s electrical system the diagram shows the locations of the fuse box the battery the starter the alternator the fuses the relays and the wiring harnesses it also identifies the connectors wires and terminals that make up the electrical

**nissan sentra service manual wiring diagram power window** - Mar 01 2023

web nissan sentra service manual wiring diagram nissan sentra service manual body exterior doors roof vehicle security power window control system wiring diagram power window system wiring diagram power window main switch

**nissan sentra service manual wiring diagram with intelligent** - Oct 08 2023

web nissan sentra service manual wiring diagram nissan sentra service manual electrical power control body control system with intelligent key system wiring diagram bcm wiring diagram ecu diagnosis information bcm reference value note the signal tech ii tool j 50190 can be used to perform the following functions

**nissan sentra service manual wiring diagram steering control** - Jan 31 2023

web nissan sentra service manual steering steering control system wiring diagram power steering control system wiring diagram ecu diagnosis information eps control unit reference value values on the diagnosis tool the following table includes information items inapplicable to this vehicle

**all wiring diagrams for nissan sentra 2009** - Nov 28 2022

web jul 22 2020 wiper washer wiring diagram for nissan sentra 2009 air conditioning manual a c wiring diagram 1 of 2 for nissan sentra 2009 manual a c wiring diagram 2 of 2 for nissan sentra 2009anti lock brakes anti lock brakes wiring diagram for nissan sentra 2009anti theft forced entry wiring diagram for

**2007 2011 nissan sentra vehicle wiring chart and diagram** - Jun 23 2022

web listed below is the vehicle specific wiring diagram for your car alarm remote starter or keyless entry installation into your 2007 2011 nissan sentra this information outlines the wires location color and polarity to help you identify the proper connection spots in the vehicle please be sure to test all of your wires with a digital