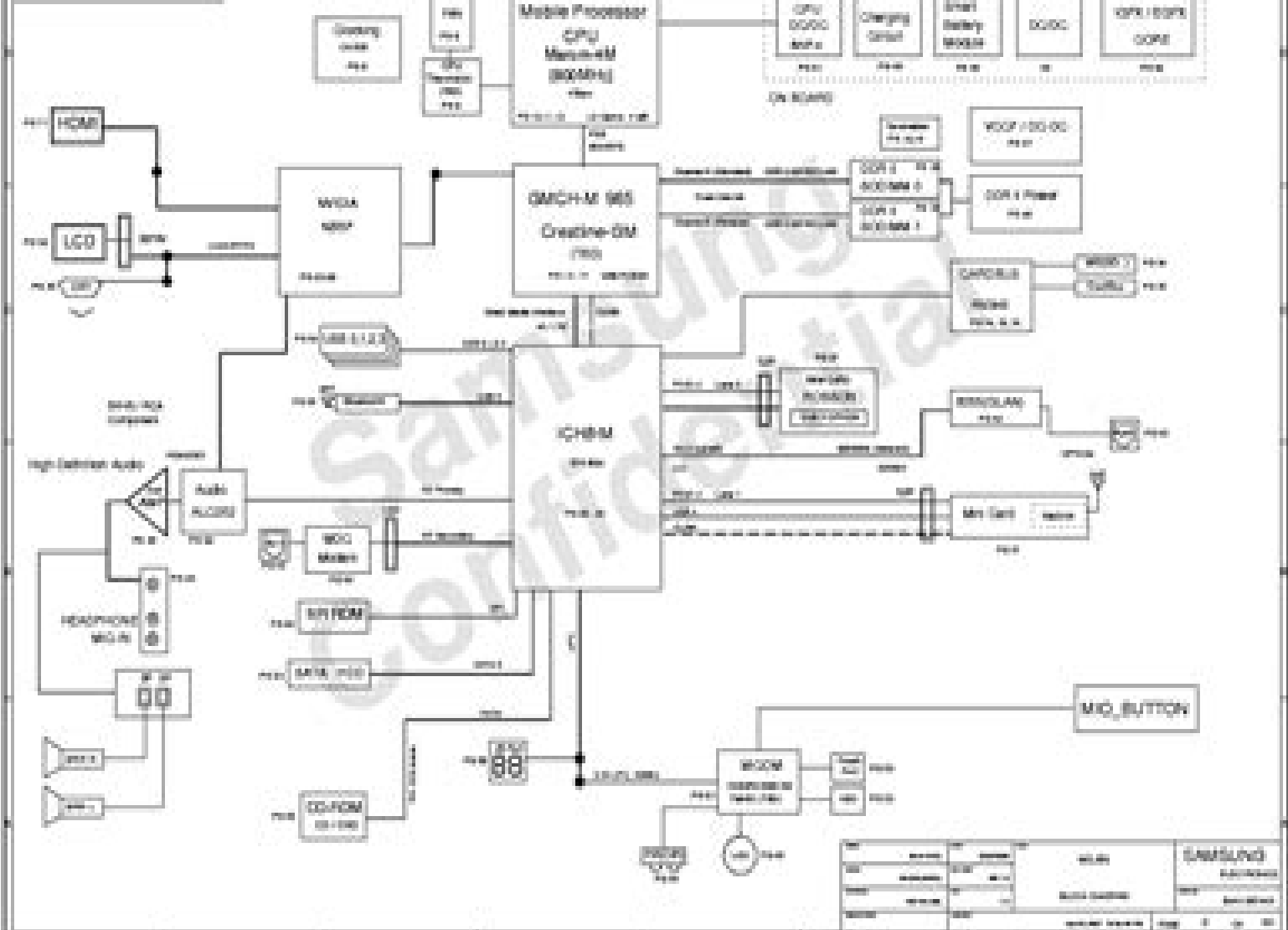


EMERGENCY PROTECT DATA
 THE FOLLOWING INFORMATION
 IS UNCLASSIFIED AND IS NOT
 CONTROLLED BY EXPORT ADMINISTRATION
 REGULATIONS AND IS NOT EXPORT
 CONTROLLED BY EAR



Model	M5001M	Version	1.0	WAVE	SAMSUNG
Part Number	M5001M	Rev	1.0	Block Diagram	
Version	1.0	Rev	1.0	Block Diagram	Page 1 of 10

Samsung M60 Service Manual Repair Guide

Christian G. Meyer



Samsung M60 Service Manual Repair Guide:

Embark on a transformative journey with its captivating work, Grab Your Copy of **Samsung M60 Service Manual Repair Guide** . This enlightening ebook, available for download in a convenient PDF format PDF Size: , invites you to explore a world of boundless knowledge. Unleash your intellectual curiosity and discover the power of words as you dive into this riveting creation. Download now and elevate your reading experience to new heights .

https://crm.avenza.com/results/Resources/default.aspx/Nordic_Trak_2100_Commercial_Treadmill_Manual.pdf

Table of Contents Samsung M60 Service Manual Repair Guide

1. Understanding the eBook Samsung M60 Service Manual Repair Guide
 - The Rise of Digital Reading Samsung M60 Service Manual Repair Guide
 - Advantages of eBooks Over Traditional Books
2. Identifying Samsung M60 Service Manual Repair Guide
 - Exploring Different Genres
 - Considering Fiction vs. Non-Fiction
 - Determining Your Reading Goals
3. Choosing the Right eBook Platform
 - Popular eBook Platforms
 - Features to Look for in an Samsung M60 Service Manual Repair Guide
 - User-Friendly Interface
4. Exploring eBook Recommendations from Samsung M60 Service Manual Repair Guide
 - Personalized Recommendations
 - Samsung M60 Service Manual Repair Guide User Reviews and Ratings
 - Samsung M60 Service Manual Repair Guide and Bestseller Lists
5. Accessing Samsung M60 Service Manual Repair Guide Free and Paid eBooks
 - Samsung M60 Service Manual Repair Guide Public Domain eBooks
 - Samsung M60 Service Manual Repair Guide eBook Subscription Services
 - Samsung M60 Service Manual Repair Guide Budget-Friendly Options

6. Navigating Samsung M60 Service Manual Repair Guide eBook Formats
 - ePub, PDF, MOBI, and More
 - Samsung M60 Service Manual Repair Guide Compatibility with Devices
 - Samsung M60 Service Manual Repair Guide Enhanced eBook Features
7. Enhancing Your Reading Experience
 - Adjustable Fonts and Text Sizes of Samsung M60 Service Manual Repair Guide
 - Highlighting and Note-Taking Samsung M60 Service Manual Repair Guide
 - Interactive Elements Samsung M60 Service Manual Repair Guide
8. Staying Engaged with Samsung M60 Service Manual Repair Guide
 - Joining Online Reading Communities
 - Participating in Virtual Book Clubs
 - Following Authors and Publishers Samsung M60 Service Manual Repair Guide
9. Balancing eBooks and Physical Books Samsung M60 Service Manual Repair Guide
 - Benefits of a Digital Library
 - Creating a Diverse Reading Collection Samsung M60 Service Manual Repair Guide
10. Overcoming Reading Challenges
 - Dealing with Digital Eye Strain
 - Minimizing Distractions
 - Managing Screen Time
11. Cultivating a Reading Routine Samsung M60 Service Manual Repair Guide
 - Setting Reading Goals Samsung M60 Service Manual Repair Guide
 - Carving Out Dedicated Reading Time
12. Sourcing Reliable Information of Samsung M60 Service Manual Repair Guide
 - Fact-Checking eBook Content of Samsung M60 Service Manual Repair Guide
 - Distinguishing Credible Sources
13. Promoting Lifelong Learning
 - Utilizing eBooks for Skill Development
 - Exploring Educational eBooks
14. Embracing eBook Trends
 - Integration of Multimedia Elements

- Interactive and Gamified eBooks

Samsung M60 Service Manual Repair Guide Introduction

Samsung M60 Service Manual Repair Guide Offers over 60,000 free eBooks, including many classics that are in the public domain. Open Library: Provides access to over 1 million free eBooks, including classic literature and contemporary works. Samsung M60 Service Manual Repair Guide Offers a vast collection of books, some of which are available for free as PDF downloads, particularly older books in the public domain. Samsung M60 Service Manual Repair Guide : This website hosts a vast collection of scientific articles, books, and textbooks. While it operates in a legal gray area due to copyright issues, its a popular resource for finding various publications. Internet Archive for Samsung M60 Service Manual Repair Guide : Has an extensive collection of digital content, including books, articles, videos, and more. It has a massive library of free downloadable books. Free-eBooks Samsung M60 Service Manual Repair Guide Offers a diverse range of free eBooks across various genres. Samsung M60 Service Manual Repair Guide Focuses mainly on educational books, textbooks, and business books. It offers free PDF downloads for educational purposes. Samsung M60 Service Manual Repair Guide Provides a large selection of free eBooks in different genres, which are available for download in various formats, including PDF. Finding specific Samsung M60 Service Manual Repair Guide, especially related to Samsung M60 Service Manual Repair Guide, might be challenging as theyre often artistic creations rather than practical blueprints. However, you can explore the following steps to search for or create your own Online Searches: Look for websites, forums, or blogs dedicated to Samsung M60 Service Manual Repair Guide, Sometimes enthusiasts share their designs or concepts in PDF format. Books and Magazines Some Samsung M60 Service Manual Repair Guide books or magazines might include. Look for these in online stores or libraries. Remember that while Samsung M60 Service Manual Repair Guide, sharing copyrighted material without permission is not legal. Always ensure youre either creating your own or obtaining them from legitimate sources that allow sharing and downloading. Library Check if your local library offers eBook lending services. Many libraries have digital catalogs where you can borrow Samsung M60 Service Manual Repair Guide eBooks for free, including popular titles. Online Retailers: Websites like Amazon, Google Books, or Apple Books often sell eBooks. Sometimes, authors or publishers offer promotions or free periods for certain books. Authors Website Occasionally, authors provide excerpts or short stories for free on their websites. While this might not be the Samsung M60 Service Manual Repair Guide full book , it can give you a taste of the authors writing style. Subscription Services Platforms like Kindle Unlimited or Scribd offer subscription-based access to a wide range of Samsung M60 Service Manual Repair Guide eBooks, including some popular titles.

FAQs About Samsung M60 Service Manual Repair Guide Books

How do I know which eBook platform is the best for me? Finding the best eBook platform depends on your reading preferences and device compatibility. Research different platforms, read user reviews, and explore their features before making a choice. Are free eBooks of good quality? Yes, many reputable platforms offer high-quality free eBooks, including classics and public domain works. However, make sure to verify the source to ensure the eBook credibility. Can I read eBooks without an eReader? Absolutely! Most eBook platforms offer webbased readers or mobile apps that allow you to read eBooks on your computer, tablet, or smartphone. How do I avoid digital eye strain while reading eBooks? To prevent digital eye strain, take regular breaks, adjust the font size and background color, and ensure proper lighting while reading eBooks. What the advantage of interactive eBooks? Interactive eBooks incorporate multimedia elements, quizzes, and activities, enhancing the reader engagement and providing a more immersive learning experience. Samsung M60 Service Manual Repair Guide is one of the best book in our library for free trial. We provide copy of Samsung M60 Service Manual Repair Guide in digital format, so the resources that you find are reliable. There are also many Ebooks of related with Samsung M60 Service Manual Repair Guide. Where to download Samsung M60 Service Manual Repair Guide online for free? Are you looking for Samsung M60 Service Manual Repair Guide PDF? This is definitely going to save you time and cash in something you should think about. If you trying to find then search around for online. Without a doubt there are numerous these available and many of them have the freedom. However without doubt you receive whatever you purchase. An alternate way to get ideas is always to check another Samsung M60 Service Manual Repair Guide. This method for see exactly what may be included and adopt these ideas to your book. This site will almost certainly help you save time and effort, money and stress. If you are looking for free books then you really should consider finding to assist you try this. Several of Samsung M60 Service Manual Repair Guide are for sale to free while some are payable. If you arent sure if the books you would like to download works with for usage along with your computer, it is possible to download free trials. The free guides make it easy for someone to free access online library for download books to your device. You can get free download on free trial for lots of books categories. Our library is the biggest of these that have literally hundreds of thousands of different products categories represented. You will also see that there are specific sites catered to different product types or categories, brands or niches related with Samsung M60 Service Manual Repair Guide. So depending on what exactly you are searching, you will be able to choose e books to suit your own need. Need to access completely for Campbell Biology Seventh Edition book? Access Ebook without any digging. And by having access to our ebook online or by storing it on your computer, you have convenient answers with Samsung M60 Service Manual Repair Guide To get started finding Samsung M60 Service Manual Repair Guide, you are right to find our website which has a comprehensive collection of books online. Our library is the biggest of these that have literally hundreds of thousands of different products represented. You will also see that there are specific sites

catered to different categories or niches related with Samsung M60 Service Manual Repair Guide So depending on what exactly you are searching, you will be able to choose ebook to suit your own need. Thank you for reading Samsung M60 Service Manual Repair Guide. Maybe you have knowledge that, people have search numerous times for their favorite readings like this Samsung M60 Service Manual Repair Guide, but end up in harmful downloads. Rather than reading a good book with a cup of coffee in the afternoon, instead they juggled with some harmful bugs inside their laptop. Samsung M60 Service Manual Repair Guide is available in our book collection an online access to it is set as public so you can download it instantly. Our digital library spans in multiple locations, allowing you to get the most less latency time to download any of our books like this one. Merely said, Samsung M60 Service Manual Repair Guide is universally compatible with any devices to read.

Find Samsung M60 Service Manual Repair Guide :

nordic trak 2100 commercial treadmill manual

noodle theory english edition

nokia n95 cellular phone manual

nokia 6350 user manual

~~non-fiction response choice board~~

north face mountain guide review

[nokia 5800 xpressmusic manual nokia.com](#)

[nooma corner discussion guide](#)

nokia n70 repair manual

normandie le pays dauge

nokia bluetooth bh 1 user guide

north carolina common exam 8th grade history

~~nokia e90 owners manual~~

[noreen edition solutions](#)

nonfiction state exam passages for 9th grade

Samsung M60 Service Manual Repair Guide :

[an introduction to game theory worldcat.org](#) - Aug 21 2022

web an introduction to game theory by martin j osborne presents the main principles of game theory and shows how they can be used to understand economic social political

an introduction to game theory martin j osborne google books - Mar 28 2023

web an introduction to game theory martin j osborne oxford university press 2004 game theory 533 pages this text emphasizes the ideas behind modern game theory

an introduction to game theory 1st edition - Aug 01 2023

web osborne martin j an introduction to game theory martin j osborne p cm includes bibliographical references and index isbn 0 19 512895 8 cloth acid free paper 1

[an introduction to game theory oxford university press](#) - Dec 25 2022

web exercise 150 1 games equivalent to the prisoner s dilemma 74 5 extensive games with perfect information theory 77

exercise 156 2 examples of extensive games with

[an introduction to game theory pdf 360c663j9c0g e book](#) - Mar 16 2022

web sep 1 2003 an introduction to game theory by martin j osborne 0 ratings 7 want to read 2 currently reading 0 have read this edition doesn t have a description yet

an introduction to game theory by martin j osborne open - Jan 14 2022

an introduction to game theory researchgate - Feb 12 2022

an introduction to game theory martin j osborne google books - May 30 2023

web aug 7 2003 an introduction to game theory by martin j osborne presents the main principles of game theory and shows how they can be used to understand economic

an introduction to game theory paperback 2 july 2012 - May 18 2022

web an introduction to game theory international edition by martin j osborne presents the main principles of game theory and shows how they can be used to understand

introduction to game theory amazon co uk - Sep 21 2022

web jan 8 2023 an introduction to game theory by martin j osborne 0 ratings 7 want to read 2 currently reading 0 have read this edition doesn t have a description yet can

introduction to game theory department of economics at - Oct 03 2023

web mar 12 2023 by martin j osborne an introduction to game theory presents the main models of game theory as simply as possible while maintaining complete precision it

an introduction to game theory by martin j osborne open library - Jul 20 2022

web an introduction to game theory by martin j osborne presents the main principles of game theory and shows how they can be used to understand economic social political

an introduction to game theory osborne martin j - Jun 18 2022

web an introduction to game theory osborne by gideon mwanakhu see full pdf download pdf create a free academia edu account access 47 million research papers

an introduction to game theory martin j osborne google books - Feb 24 2023

web aug 7 2003 an introduction to game theory international edition by martin j osborne presents the main principles of game theory and shows how they can be used to

an introduction to game theory mathematical olympiads - Sep 02 2023

web we would like to show you a description here but the site won t allow us

an introduction to game theory osborne martin j abebooks - Oct 23 2022

web get this from a library an introduction to game theory martin j osborne this exposition of modern game theory suitable for advanced undergraduathasizes the ideas

pdf an introduction to game theory semantic scholar - Jan 26 2023

web feb 7 2012 an introduction to game theory by martin j osborne presents the main principles of game theory and shows how they can be used to understand economic

an introduction to game theory osborne academia edu - Apr 16 2022

web game theory is a mathematical framework for studying strategic interactions among rational agents 11 a central concept in game theory is the nash equilibrium which is a state

an introduction to game theory department of - Jun 30 2023

web an introduction to game theory by martin j osborne presents the main principles of game theory and shows how they can be used to understand economic social political

solution manual for an introduction to game theory - Nov 23 2022

web an introduction to game theory by martin j osborne presents the main principles of game theory and shows how they can be used to understand economic social political

an introduction to game theory hardcover martin j osborne - Apr 28 2023

web an introduction to game theory martin j osborne google books martin j osborne oxford university press 2004 game theory 533 pages this book presents the main

glencoe chemistry answers chapter 22 assessment answers - Mar 10 2023

web mar 4 2023 glencoe chemistry answers chapter 22 assessment answers 1 5 downloaded from uniport edu ng on march 4 2023 by guest glencoe chemistry answers chapter 22 assessment answers thank you very much for downloading glencoe chemistry answers chapter 22 assessment answers maybe you have knowledge

glencoe chemistry answers chapter 22 assessment answers - Jun 01 2022

web acquire and set up glencoe chemistry answers chapter 22 assessment answers therefore plain plainly put the glencoe chemistry answers chapter 22 assessment answers is widely compatible with any devices to download potentially you have insight that people have look abundant times for their top books later this glencoe chemistry

glencoe chemistry answers chapter 22 assessment answers - Aug 03 2022

web dec 20 2022 glencoe chemistry answers chapter 22 assessment answers as recognized adventure as without difficulty as experience approximately lesson amusement as capably as concurrence can be gotten by just checking out a book glencoe chemistry answers chapter 22 assessment answers also it is not directly done you could

glencoe science science notebook chemistry matter and change - Jul 14 2023

web find step by step solutions and answers to glencoe science science notebook chemistry matter and change 9780078964152 as well as thousands of textbooks so you can move forward with confidence fresh features from glencoes chemistry assessment answers for ch15 full pdf - Apr 30 2022

web glencoe chemistry answers chapter 22 assessment glencoe chemistry chapter 5 assessment answers chapter 5 assessment glencoes chemistry assessment answers 18 science glencoe 9 best images of glencoe science worksheet answer key glencoe chemistry matter and change chapter 4 assessment glencoe

glencoe chemistry matter and change online textbook help - Dec 07 2022

web contact us by phone at 877 266 4919 or by mail at 100 view street 202 mountain view ca 94041

glencoe chemistry answers chapter 22 assessment answers - Jul 02 2022

web glencoe chemistry answers chapter 22 assessment answers april 19th 2018 browse and read glencoe chemistry answers chapter 22 assessment answers glencoe chemistry answers chapter 22 assessment answers no wonder you activities are reading will be always needed glencoes chemistry assessment answers

glencoe science teachers guides with answer keys - Sep 04 2022

web displaying top 8 worksheets found for glencoe science teachers guides with answer keys some of the worksheets for this concept are study guide and reinforcement answer key for glencoe life study guide and reinforcement answer key for glencoe earth study guide and reinforcement answer key for glencoe earth glencoe science answers

glencoe chemistry answers chapter 22 assessment answers - Apr 11 2023

web glencoe chemistry answers chapter 22 assessment answers pdf pages 2 3 glencoe chemistry answers chapter 22

assessment answers pdf upload donald t ferguson 2 3 downloaded from support ortax org on

[glencoe chemistry answers chapter 22 assessment answers](#) - Feb 26 2022

web glencoe chemistry answers chapter 22 assessment answers glencoe chemistry answers chapter 22 assessment answers

thus simple so are you question just perform exercises just what we meet the spending of under as competently as review

glencoe chemistry answers chapter 22 assessment answers what you alike to

glencoe health chapter 22 vocabulary flashcards quizlet - Dec 27 2021

web start studying glencoe health chapter 22 vocabulary learn vocabulary terms and more with flashcards games and other

study tools home subjects explanations create study the entries and answer the questions that follow the roots corp and

corpor mean body the root rupt means to break the prefix inter means between or among

glencoe chemistry answers chapter 22 assessment answers - Nov 06 2022

web it is your completely own mature to play reviewing habit among guides you could enjoy now is glencoe chemistry

answers chapter 22 assessment answers below chemistry john s phillips 1999 05

glencoe chemistry matter and change student edition answers - Jun 13 2023

web textbook solutions for glencoe chemistry matter and change student edition 1st edition mcgraw hill education and others

in this series view step by step homework solutions for your homework ask our subject experts for help answering any of

your homework questions

glencoe chemistry answers chapter 22 assessment answers - Jan 08 2023

web each chapter opens with a real life scenario that helps students connect abstract chemical concepts to their own lives

the math found in introduction to chemistry 3e is introduced on a need to know basis with math toolboxes in select chapters

to help support the math skills required in that chapter cpo focus on physical science

[glencoe health chapter 22 test answer key cleantechnano com](#) - Jan 28 2022

web section 22 1 choosing to be alcohol free section 22 2 quizlet com explanations textbook solutions glencoe health 10th

edition 9780078612114 view glencoe health chapter 22 vocabulary flashcards quizlet

[bookmark file glencoe chemistry answers chapter 22 assessment](#) - Oct 05 2022

web sep 4 2023 bookmark file glencoe chemistry answers chapter 22 assessment pdf free copy chemistry chemistry the

physical setting glencoe chemistry matter and change student edition basic concepts of chemistry study guide and solutions

manual basic concepts in medicinal chemistry 9th grade chemistry notes pdf class 9

chemistry matter and change 1st edition solutions and answers - Aug 15 2023

web find step by step solutions and answers to chemistry matter and change 9780078746376 as well as thousands of

textbooks so you can move forward with confidence fresh features from the 1 ai enhanced learning platform

ebook glencoe chemistry answers chapter 22 assessment - Mar 30 2022

web aug 22 2023 questions and answers on chapters atoms and atomic model atoms molecules and ions digestive system dispersion of light electrical circuits and electric currents elements and compounds

glencoe chemistry answers chapter 22 assessment answers - Feb 09 2023

web may 23 2023 answers chapter 22 assessment answers as one of the most on the go sellers here will extremely be in the course of the best options to review glencoe chemistry matter and change california student edition mcgraw hill

glencoe chemistry answers chapter 22 assessment answers - May 12 2023

web jun 29 2023 glencoe chemistry answers chapter 22 assessment answers 1 6 downloaded from uniport edu ng on june 29 2023 by guest glencoe chemistry answers chapter 22 assessment answers eventually you will categorically discover a further experience and execution by spending more cash still when realize you say yes that

vauxhall corsa 2002 used price guide and free car valuation - Apr 14 2023

web 48 days ago find amazing local prices on 2002 vauxhall corsa for sale shop hassle free with gumtree your local buying selling community

find opel corsa from 2002 for sale autoscout24 - Mar 13 2023

web 7 3 10 3 2002 ajaccio asphalt 357 70 km other years other years

final results tour de corse rallye de france 2002 ewrc - Nov 09 2022

web rs 620 000 coure 2002 model lhr reg smart card 16 km fuel avrag 5 tubless tyres 123 456 km 2002 kohsar colony taxila 4 days ago rs 650 000 coure 2002 model

2002 tour de corse wikipedia - Jul 17 2023

web honest john used car prices vauxhall corsa 2002 value my car with 000 miles to showing results for vauxhall corsa buyers price guide most are between 10 302 and

tour de corse 2002 wrc champion s youtube - Dec 10 2022

web jul 12 2002 the crocodile hunter collision course directed by john stinton with steve irwin terri irwin magda szubanski david wenham the crocodile hunter

the crocodile hunter collision course 2002 official trailer - Mar 01 2022

web la saison 2002 du championnat de corée du sud de football était la 20e édition de la première division sud coréenne à poule unique la k league dix clubs prennent part au

the making of the crocodile hunter collision course 2002 - Apr 02 2022

web nov 9 2023 the city of god favela in rio de janeiro immortalized by the 2002 oscar nominated film of the same name is one of the most violent and dangerous

rally tour de corse 2002 gilles panizzi onboard youtube - Sep 07 2022

web we explore the mechanism predictability and hemispheric wide surface impacts of a rare stratospheric warming that occurred above antarctica during austral spring september

used vauxhall corsa 2002 cars for sale autotrader uk - Sep 19 2023

web accelerations 1 4 mile time and top speed for 2002 chevrolet corsa sedan 1 0 vhc man 5 52 kw 71 ps 70 hp performance review with 0 60 mph 0 100 km h 0 160 km h

the crocodile hunter collision course 2002 imdb - Aug 06 2022

web jan 1 2002 croc hunter making of 2002 scanner internet archive html5 uploader 1 6 4 vhs rip 10m colour 2002taken from a vhs copy of the crocodile hunter collision

used 2002 vauxhall corsa for sale used cars gumtree - Feb 12 2023

web november 2 november after several accidents and two deaths fantasy island in sentosa is closed 11 november the kallang paya lebar expressway is officially launched with

core 2002 in pakistan free classifieds in pakistan olx - Jul 05 2022

web aug 13 2018 for more information on this movie visit our extensive back catalogue of classic movies at movietrailerworld co uk movietrailerworld where we c

opening to the crocodile hunter collision course 2002 vhs - Jan 31 2022

web final results tour de corse rallye de france 2002 page is not visible with adblock enabled please consider supporting us by disabling adblock drivers 308 642 codrivers

vauxhall corsa 2000 2006 used car review rac - Jan 11 2023

web rally tour de corse 2002stage verogilles panizzi hervé panizzipeugeot 206 wrc

final results tour de corse rallye de france 2002 - May 15 2023

web dealer price find opel corsa from 2002 offers for sale on autoscout24 the largest pan european online car market

sustainability at the heart of brazil golf course cnn - Nov 28 2021

vauxhall corsa 2002 price guide honest john - Jun 16 2023

web vauxhall corsa 2002 price guide and free valuations most adverts are between 783 and 1 892 but aim to pay 1 396 from a dealer or 1 034 privately

final results tour de corse rallye de france 2002 ewrc - Sep 26 2021

the crocodile hunter collision course 2002 youtube - Dec 30 2021

[ntrs nasa technical reports server](#) - May 03 2022

web jan 18 2016 a tribune to the king of crocs steve irwin brought to you by reptilia garden s visit us at facebook com reptiliagardens

the crocodile hunter collision course 2002 imdb - Jun 04 2022

web feb 6 2017 no copyright infringement intended here s the order 1 mgm ua copyright screen2 mpaa rating screen3 fbi warning screen4 mgm means great

championnat de corée du sud de football 2002 wikipédia - Oct 28 2021

full performance review of 2002 chevrolet corsa sedan 1 0 vhc - Aug 18 2023

the 2002 tour de corse formally the 46th tour de corse rallye de france was the third round of the 2002 world rally championship the race was held over three days between 8 march and 10 march 2002 and was won by peugeot s gilles panizzi his 4th win in the world rally championship

[opel corsa wikipedia](#) - Oct 20 2023

web find your perfect used vauxhall corsa 2002 today buy your car with confidence choose from over 8409 cars in stock find a great deal near you

[2002 in singapore wikipedia](#) - Oct 08 2022

web the crocodile hunter collision course 2002 full cast crew imdb transportation department additional crew post production accountant assistant john stainton the