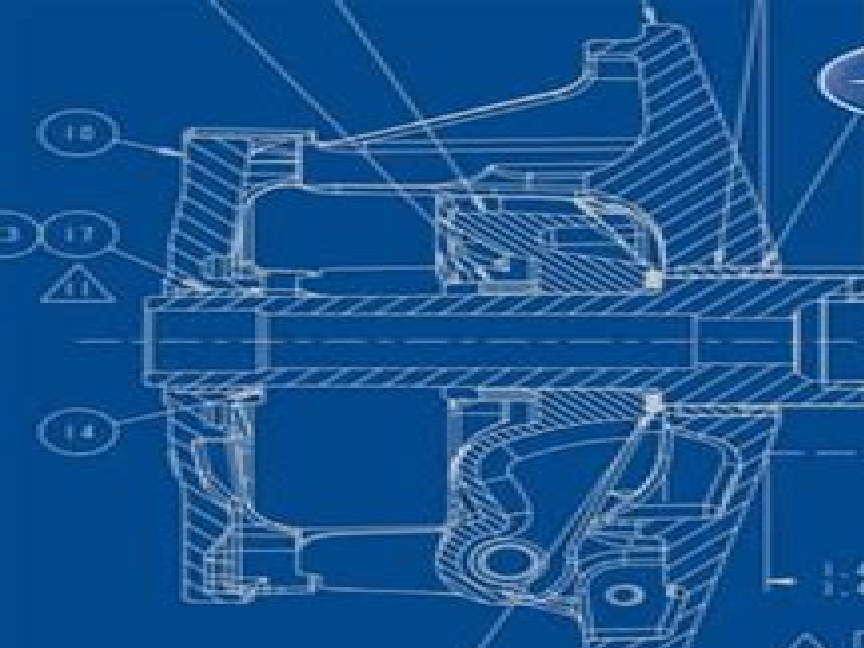




**POLARIS**  
The Way Out.



# 2005 DEEP SNOW SERVICE MANUAL

TRAIL RMK  
600 RMK  
700 RMK  
800 RMK  
900 RMK

600 SWITCHBACK™  
800 SWITCHBACK™

PN 9919302

# Polaris Rmk 62013 Shop Manual

**Brendan G. Carr**



**Polaris Rmk 62013 Shop Manual:**

Ignite the flame of optimism with Crafted by is motivational masterpiece, Find Positivity in **Polaris Rmk 62013 Shop Manual** . In a downloadable PDF format ( Download in PDF: \*), this ebook is a beacon of encouragement. Download now and let the words propel you towards a brighter, more motivated tomorrow.

<https://crm.avenza.com/public/uploaded-files/HomePages/peavey%20cs%20800x%20service%20manual.pdf>

## **Table of Contents Polaris Rmk 62013 Shop Manual**

1. Understanding the eBook Polaris Rmk 62013 Shop Manual
  - The Rise of Digital Reading Polaris Rmk 62013 Shop Manual
  - Advantages of eBooks Over Traditional Books
2. Identifying Polaris Rmk 62013 Shop Manual
  - Exploring Different Genres
  - Considering Fiction vs. Non-Fiction
  - Determining Your Reading Goals
3. Choosing the Right eBook Platform
  - Popular eBook Platforms
  - Features to Look for in an Polaris Rmk 62013 Shop Manual
  - User-Friendly Interface
4. Exploring eBook Recommendations from Polaris Rmk 62013 Shop Manual
  - Personalized Recommendations
  - Polaris Rmk 62013 Shop Manual User Reviews and Ratings
  - Polaris Rmk 62013 Shop Manual and Bestseller Lists
5. Accessing Polaris Rmk 62013 Shop Manual Free and Paid eBooks
  - Polaris Rmk 62013 Shop Manual Public Domain eBooks
  - Polaris Rmk 62013 Shop Manual eBook Subscription Services
  - Polaris Rmk 62013 Shop Manual Budget-Friendly Options
6. Navigating Polaris Rmk 62013 Shop Manual eBook Formats

- ePub, PDF, MOBI, and More
  - Polaris Rmk 62013 Shop Manual Compatibility with Devices
  - Polaris Rmk 62013 Shop Manual Enhanced eBook Features
7. Enhancing Your Reading Experience
    - Adjustable Fonts and Text Sizes of Polaris Rmk 62013 Shop Manual
    - Highlighting and Note-Taking Polaris Rmk 62013 Shop Manual
    - Interactive Elements Polaris Rmk 62013 Shop Manual
  8. Staying Engaged with Polaris Rmk 62013 Shop Manual
    - Joining Online Reading Communities
    - Participating in Virtual Book Clubs
    - Following Authors and Publishers Polaris Rmk 62013 Shop Manual
  9. Balancing eBooks and Physical Books Polaris Rmk 62013 Shop Manual
    - Benefits of a Digital Library
    - Creating a Diverse Reading Collection Polaris Rmk 62013 Shop Manual
  10. Overcoming Reading Challenges
    - Dealing with Digital Eye Strain
    - Minimizing Distractions
    - Managing Screen Time
  11. Cultivating a Reading Routine Polaris Rmk 62013 Shop Manual
    - Setting Reading Goals Polaris Rmk 62013 Shop Manual
    - Carving Out Dedicated Reading Time
  12. Sourcing Reliable Information of Polaris Rmk 62013 Shop Manual
    - Fact-Checking eBook Content of Polaris Rmk 62013 Shop Manual
    - Distinguishing Credible Sources
  13. Promoting Lifelong Learning
    - Utilizing eBooks for Skill Development
    - Exploring Educational eBooks
  14. Embracing eBook Trends
    - Integration of Multimedia Elements
    - Interactive and Gamified eBooks

## **Polaris Rmk 62013 Shop Manual Introduction**

In the digital age, access to information has become easier than ever before. The ability to download Polaris Rmk 62013 Shop Manual has revolutionized the way we consume written content. Whether you are a student looking for course material, an avid reader searching for your next favorite book, or a professional seeking research papers, the option to download Polaris Rmk 62013 Shop Manual has opened up a world of possibilities. Downloading Polaris Rmk 62013 Shop Manual provides numerous advantages over physical copies of books and documents. Firstly, it is incredibly convenient. Gone are the days of carrying around heavy textbooks or bulky folders filled with papers. With the click of a button, you can gain immediate access to valuable resources on any device. This convenience allows for efficient studying, researching, and reading on the go. Moreover, the cost-effective nature of downloading Polaris Rmk 62013 Shop Manual has democratized knowledge. Traditional books and academic journals can be expensive, making it difficult for individuals with limited financial resources to access information. By offering free PDF downloads, publishers and authors are enabling a wider audience to benefit from their work. This inclusivity promotes equal opportunities for learning and personal growth. There are numerous websites and platforms where individuals can download Polaris Rmk 62013 Shop Manual. These websites range from academic databases offering research papers and journals to online libraries with an expansive collection of books from various genres. Many authors and publishers also upload their work to specific websites, granting readers access to their content without any charge. These platforms not only provide access to existing literature but also serve as an excellent platform for undiscovered authors to share their work with the world. However, it is essential to be cautious while downloading Polaris Rmk 62013 Shop Manual. Some websites may offer pirated or illegally obtained copies of copyrighted material. Engaging in such activities not only violates copyright laws but also undermines the efforts of authors, publishers, and researchers. To ensure ethical downloading, it is advisable to utilize reputable websites that prioritize the legal distribution of content. When downloading Polaris Rmk 62013 Shop Manual, users should also consider the potential security risks associated with online platforms. Malicious actors may exploit vulnerabilities in unprotected websites to distribute malware or steal personal information. To protect themselves, individuals should ensure their devices have reliable antivirus software installed and validate the legitimacy of the websites they are downloading from. In conclusion, the ability to download Polaris Rmk 62013 Shop Manual has transformed the way we access information. With the convenience, cost-effectiveness, and accessibility it offers, free PDF downloads have become a popular choice for students, researchers, and book lovers worldwide. However, it is crucial to engage in ethical downloading practices and prioritize personal security when utilizing online platforms. By doing so, individuals can make the most of the vast array of free PDF resources available and embark on a journey of continuous learning and intellectual growth.

## FAQs About Polaris Rmk 62013 Shop Manual Books

How do I know which eBook platform is the best for me? Finding the best eBook platform depends on your reading preferences and device compatibility. Research different platforms, read user reviews, and explore their features before making a choice. Are free eBooks of good quality? Yes, many reputable platforms offer high-quality free eBooks, including classics and public domain works. However, make sure to verify the source to ensure the eBook credibility. Can I read eBooks without an eReader? Absolutely! Most eBook platforms offer web-based readers or mobile apps that allow you to read eBooks on your computer, tablet, or smartphone. How do I avoid digital eye strain while reading eBooks? To prevent digital eye strain, take regular breaks, adjust the font size and background color, and ensure proper lighting while reading eBooks. What the advantage of interactive eBooks? Interactive eBooks incorporate multimedia elements, quizzes, and activities, enhancing the reader engagement and providing a more immersive learning experience. Polaris Rmk 62013 Shop Manual is one of the best book in our library for free trial. We provide copy of Polaris Rmk 62013 Shop Manual in digital format, so the resources that you find are reliable. There are also many Ebooks of related with Polaris Rmk 62013 Shop Manual. Where to download Polaris Rmk 62013 Shop Manual online for free? Are you looking for Polaris Rmk 62013 Shop Manual PDF? This is definitely going to save you time and cash in something you should think about.

### Find Polaris Rmk 62013 Shop Manual :

**peavey cs 800x service manual**

**penta workshop manual d4**

peavy classic 30 manual

**pengumuman hasil ppdb sman puri thn 2014**

*pentax iqzoom 140 manual*

*pearson successnet algebra 2 answers*

*penutbutter cookies recipe*

pengumuman osn 2015 kab purbalingga

*pentecostals unmasked exposing hidden secrets of a strange movement*

*pengumuman hasil seleksi osn smp 2015 kota malang*

~~peavey nashville 112 manual~~

*pecan recipe pie recipes*

*pemenang osn smp purworejo 2015*

peer reviewed communication journals

**pecos bill and slue foot sue scholastic corporation**

**Polaris Rmk 62013 Shop Manual :**

**mini loup sur la banquise philippe matter achat livre** - May 25 2022

web nov 14 2007 description mini loup en visite au pôle nord s étonne de voir que les animaux qui y vivent ne craignent pas le froid ses nouveaux amis les ours blancs les

**album mini loup sur la banquise rallye lecture en ligne** - Mar 23 2022

web sur la banquise mini loup et la galette des rois 1 figurine matter mini loup mini loup sur la rhur impacthub net 15 184

**mini loup mini loup sur la banquise philippe matter livres** - Nov 30 2022

web dec 27 2010 mini loup mini loup sur la banquise pas cher retrouvez tous les produits disponibles à l achat dans notre catégorie enfant jeunesse

**mini loup mini loup sur la banquise fnac belgique** - May 05 2023

web mini loup sur la banquise new list close add to list add to gift registry mini loup sur la banquise write a review

**mini loup sur la banquise philippe matter cultura** - Feb 02 2023

web sep 27 2023 une petite bibliothèque qui s ouvre comme un coffre au trésor pour découvrir 5 petits livres pour vivre de grandes aventures avec mini loup mini loup

mini loup mini loup sur la banquise label emmaüs - Sep 28 2022

web apr 4 2020 en visite au pôle nord mini loup découvre la vie sur la banquise rencontre de nouveaux amis et va de surprise en surprise ce que j en pense de manière

mini loup mini loup sur la banquise label emmaüs - Jul 27 2022

web oct 26 2005 en visite au pôle nord mini loup découvre la vie sur la banquise rencontre de nouveaux amis et va de surprise en surprise

**mini loup mini loup sur la banquise label emmaüs** - Dec 20 2021

web mini loup sur la banquise livre d occasion écrit par philippe matter auteur paru en 2005 aux éditions hachette hachette jeunesse livres 3 ans et chinez

**mini loup mini loup sur la banquise label emmaüs** - Nov 18 2021

mini loup mini loup sur la banquise philippe matter actualité - Mar 03 2023

web mini loup sur la banquise par philippe matter aux éditions hachette enfants en visite au pôle nord mini loup découvre la



vie sur la banquise rencontre de nouveaux amis et  
[mini loup mini loup sur la banquise dotnbm](#) - Jan 21 2022

web mini loup mini loup sur la banquise en visite au pôle nord mini loup découvre la vie sur la banquise rencontre de nouveaux

**mini loup mini loup sur la banquise by philippe matter** - Feb 19 2022

web 5 histoires pour rire mini loup et les pirates mini loup sur la banquise hachette jeunesse mini loup et ses amis décident de faire une partie de cache cache en forêt

**mini loup mini loup sur la banquise fnac** - Oct 10 2023

web mini loup mini loup sur la banquise 5 8 avis offres sur ce produit avec le retrait magasin résumé en visite au pôle nord mini loup découvre la vie sur la banquise

**mini loup mini loup sur la banquise philippe matter** - Jul 07 2023

web oct 1 2005 mini loup sur la banquise english and french edition philippe matter author 4 8 out of 5 stars part of mini loup 43 books en visite au pôle nord mini

*mini loup sur la banquise grand format autre 2005 de* - Jun 25 2022

web mini loup sur la banquise philippe matter hachette jeunesse relié trustpilot livraison gratuite dans le monde en savoir plus compte pour acheter des livres

**mini loup sur la banquise enfant jeunesse rakuten** - Oct 30 2022

web en visite au pôle nord mini loup découvre la vie sur la banquise rencontre de nouveaux amis et va de surprise

**amazon fr mini loup sur la banquise matter philippe matter** - Sep 09 2023

web en visite au pôle nord mini loup découvre la vie sur la banquise rencontre de nouveaux amis et va de surprise en surprise fait partie de la série mini loup nombre de pages

**mini loup sur la banquise hachette fr** - Aug 08 2023

web jul 3 2023 hachette enfants mini loup sur la banquise philippe matter eveil acheter ajouter à ma pile à lire résumé détails en visite au pôle nord mini loup découvre la

*mini loup la petite bibliothèque mini loup avec 5 livres fnac* - Jan 01 2023

web oct 26 2005 mini loup mini loup sur la banquise de plongez vous dans le livre philippe matter au format album ajoutez le à votre liste de souhaits ou abonnez vous à

[mini loup sur la banquise english and french edition matter](#) - Jun 06 2023

web fnac mini loup mini loup sur la banquise philippe matter philippe matter hachette enfants livraison chez vous ou en magasin et 5 sur tous les livres achetez neuf

**mini loup sur la banquise blogger** - Aug 28 2022

web mini loup mini loup sur la banquise en visite au pôle nord mini loup découvre la vie sur la banquise rencontre de

[mini loup sur la banquise frenchbooksonline com](#) - Apr 04 2023

web oct 26 2005 en visite au pôle nord mini loup découvre la vie sur la banquise rencontre de nouveaux amis et va de surprise en surprise

[mini loup sur la banquise jeunesse au meilleur prix e leclerc](#) - Apr 23 2022

web mini loup sur la banquise matter philippe aventure album animauxnaturestolidarité mini loup 0 5 0 vote 4 1 5 88 votes

question 1 quel est le problème de mini

*nobody knows how to make a pizza softcover* [abebooks](#) - Jan 30 2023

web written by economics commentator julie borowski nobody knows how to make a pizza draws inspiration from leonard e read s classic economic essay i pencil with a fun and engaging approach to economic concepts this book is the perfect way to teach children about the world of economics

[amazon com customer reviews nobody knows how to make a pizza](#) - Jul 24 2022

web select the department you want to search in

**9780578558561 nobody knows how to make a pizza abebooks** - Feb 28 2023

web written by economics commentator julie borowski nobody knows how to make a pizza draws inspiration from leonard e read s classic economic essay i pencil with a fun and engaging approach to economic concepts this book is the perfect way to teach children about the world of economics

**nobody knows how to make a pizza amazon com au** - Apr 01 2023

web written by economics commentator julie borowski nobody knows how to make a pizza draws inspiration from leonard e read s classic economic essay i pencil with a fun and engaging approach to economic concepts this book is the perfect way to teach children about the world of economics

**nobody knows how to make a pizza english edition** □□□□ - Sep 25 2022

web sep 17 2019 amazon co jp nobody knows how to make a pizza english edition ebook borowski julie kopytova tetiana foreign language books

*nobody knows how to make a pizza amazon com* - Oct 07 2023

web sep 17 2019 nobody knows how to make a pizza borowski julie kopytova tetiana on amazon com free shipping on qualifying offers nobody knows how to make a pizza

**nobody knows how to make a pizza english edition** - Jun 22 2022

web sep 17 2019 amazon co jp nobody knows how to make a pizza english edition □□□□ borowski julie kopytova tetiana □□ □

children s books education reference 200000000000 000000 000000 000 00000000 0000000000 kindle00000000 0000000000 0000

*nobody knows how to make a pizza barnes noble* - Jul 04 2023

web sep 17 2019 written by economics commentator julie borowski nobody knows how to make a pizza draws inspiration from leonard e read s classic economic essay i pencil with a fun and engaging approach to economic concepts this book is the perfect way to teach children about the world of economics

**nobody knows how to make a pizza paperback amazon co uk** - May 02 2023

web buy nobody knows how to make a pizza illustrated by borowski julie kopytova tetiana isbn 9780578558561 from amazon s book store everyday low prices and free delivery on eligible orders

*nobody knows how to make a pizza amazon ca* - Dec 29 2022

web julie borowski nobody knows how to make a pizza paperback illustrated sept 17 2019 by julie borowski author tetiana kopytova illustrator 4 8 264 ratings see all formats and editions kindle edition 0 00 this title and over 4 million more available with kindle unlimited 6 60 to buy paperback 13 08 10 used from 14 28 8 new from 13 08

**nobody knows how to make a pizza print replica kindle edition** - Mar 20 2022

web select the department you want to search in

**nobody knows how to make a pizza by julie borowski rated** - May 22 2022

web taking complex ideas such as the division of labor the invisible hand and spontaneous order and framing them in a way that kids can easily understand nobody knows how to make a pizza is a fascinating and eye opening book which revolutionizes the way children will look at the world

[amazon co uk nobody knows how to make a pizza](#) - Sep 06 2023

web select the department you want to search in

[nobody knows how to make a pizza kindle edition by](#) - Aug 05 2023

web sep 17 2019 nobody knows how to make a pizza kindle edition by borowski julie kopytova tetiana download it once and read it on your kindle device pc phones or tablets use features like bookmarks note taking and highlighting while reading nobody knows how to make a pizza

*nobody knows how to make a pizza the book of 32 pages youtube* - Feb 16 2022

web mar 11 2021 nobody knows how to make a pizza the book of 32 pages the main character of the book is a pizza the purpose of the book is to teach kids about economic

[nobody knows how to make a pizza or a pencil youtube](#) - Apr 20 2022

web julie borowski discusses her new book nobody knows how to make a pizza and how she was inspired by the classic essay

i pencil by leonard read juliebor

nobody knows how to make a pizza by borowski julie - Nov 27 2022

web buy nobody knows how to make a pizza by borowski julie kopytova tetiana online on amazon ae at best prices fast and free shipping free returns cash on delivery available on eligible purchase

*nobody knows how to make a pizza julie borowski google* - Jun 03 2023

web sep 17 2019 written by economics commentator julie borowski nobody knows how to make a pizza draws inspiration from leonard e read s classic economic essay i pencil with a fun and engaging approach

**nobody knows how to make a pizza english edition ebook amazon de** - Oct 27 2022

web nobody knows how to make a pizza english edition ebook borowski julie kopytova tetiana amazon de kindle shop

**nobody knows how to make a pizza amazon com tr** - Aug 25 2022

web nobody knows how to make a pizza borowski julie amazon com tr kitap Çerez tercihlerinizi seçin Çerez bildirimimizde ayrıntılı şekilde açıklandığı üzere alışveriş yapmanızı sağlamak alışveriş deneyiminizi iyileştirmek ve hizmetlerimizi sunmak için gerekli olan çerezleri ve benzer araçları kullanırız

*evolutionary analysis books a la carte 5th edition* - Mar 30 2022

web evolutionary analysis 5th edition pdf version john c herron and scott freeman comments sorted by best top new controversial q a add a comment williamdseale

**evolutionary analysis 5th edition vitalsource** - Sep 04 2022

web evolutionary analysis pearson 5th edition is written by jon herron scott freeman and published by pearson the digital and etextbook isbn's for evolutionary analysis

evolutionary analysis 5th edition solutions and answers quizlet - Apr 30 2022

web jan 1 2004 in contrast herron and freeman s 5th edition of evolutionary analysis 2014 does a very good if not complete job of addressing human evolution and its

evolutionary analysis 5th edition pearson - Aug 15 2023

web oct 28 2021 science biology evolution evolutionary analysis i m a student i m an educator evolutionary analysis 5th edition published by pearson october 27 2021

*evolutionary analysis request pdf researchgate* - Feb 26 2022

web sep 9 2020 evolutionary analysis 5th edition format file ebook pdf epub mobi pocket audiobook txt doc ppt jpeg chm xml azw pdb kf8 prc tpz download and

evolutionary analysis herron jon freeman scott - Jan 08 2023

web in the fifth edition co author jon herron takes the lead in streamlining and updating content to reflect key changes in the

field the design and art program have also been

**evolutionary analysis 5th edition textbook solutions bartleby** - Jul 02 2022

web buy evolutionary analysis looseleaf 5th edition 9780321928160 by jon c herron for up to 90 off at textbooks com

read book pdf evolutionary analysis 5th edition full pdf - Dec 27 2021

web evolutionary analysis 5th edition herron freeman test bank add your review digital item no waiting time instant download isbn 10 0321616677 isbn 13 978

**evolutionary analysis looseleaf 5th edition textbooks com** - Jun 01 2022

web now with expert verified solutions from evolutionary analysis 5th edition you ll learn how to solve your toughest homework problems our resource for evolutionary

*evolutionary analysis 5th edition pearson* - Mar 10 2023

web apr 13 2015 in the 5th edition co author jon herron takes the lead in streamlining and updating content to reflect key changes in the field the design and art program have

*evolutionary analysis 5th edition etextbook subscription* - Jul 14 2023

web oct 28 2021 the 5th edition offers streamlined updated content to reflect key changes in the field highlights of new and updated content include newer thinking on how hiv

*evolutionary analysis jon c herron scott freeman google* - Dec 07 2022

web apr 13 2015 evolutionary analysis global edition 5th edition published by pearson april 12 2015 2015 scott freeman university of washington jon c herron

request evolutionary analysis 5th edition r textbookrequest - Nov 25 2021

web jul 29 2013 in the fifth edition co author jon herron takes the lead in streamlining and updating content to reflect key changes in the field the design and art program have

**evolutionary analysis 5th global edition e book** - May 12 2023

web in the fifth edition co author jon herron takes the lead in streamlining and updating content to reflect key changes in the field the design and art program have also been

evolutionary analysis 5th edition pdf version r textbookrequest - Jan 28 2022

web request evolutionary analysis 5th edition the textbook is by jon c herron and scott freeman thank you in advance for any help comments sorted by best top new

*evolutionary analysis jon c herron scott freeman google* - Sep 23 2021

**evolutionary analysis files pearsoned de** - Oct 05 2022

web evolutionary analysis 5th edition is written by jon c herron scott freeman and published by pearson the digital and etextbook isbn for evolutionary analysis are

**evolutionary analysis amazon com** - Jun 13 2023

web in the fifth edition co author jon herron takes the lead in streamlining and updating content to reflect key changes in the field the design and art program have also been

evolutionary analysis global edition google books - Feb 09 2023

web the authors convey the excitement and logic of evolutionary science by introducing principles through recent and classical studies and by emphasizing real world

*evolutionary analysis scott freeman jon c herron google* - Apr 11 2023

web aug 12 2013 etextbook what s on the inside just might surprise you they say you can t judge a book by its cover it s the same with your students meet each one right where

**evolutionary analysis global edition 5th edition pearson** - Nov 06 2022

web evolutionary analysis fifth edition jon c herron scott freeman herron freeman this is a special edition of an established title widely used by colleges and universities

**evolutionary analysis pearson 5th edition vitalsource** - Aug 03 2022

web textbook solutions for evolutionary analysis 5th edition 5th edition jon c herron and others in this series view step by step homework solutions for your homework ask our

**evolutionary analysis 5th edition herron freeman test bank** - Oct 25 2021