

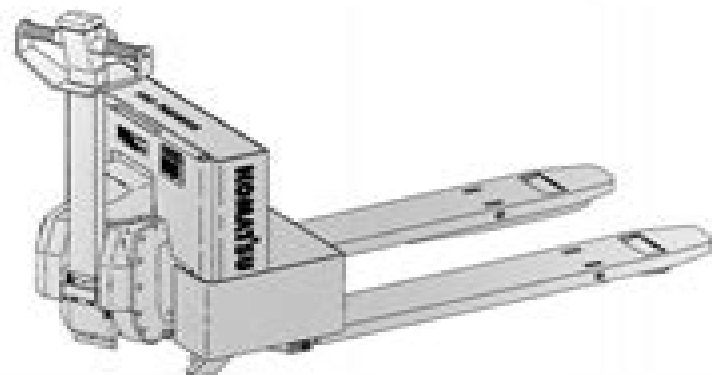
# MITSUBISHI

OM020A

## Operator's Manual

### MWL22-1A

Effective Serial Number MWL\_0027356\_000  
Electric Low Lift Pallet Truck



- ⚠ WARNING** Read and observe all warnings on this unit before operating it.
- ⚠ WARNING** **DO NOT** operate this equipment unless all factory installed guards and shields are properly secured in place.

Part no: K-302264-003

Date: May 19, 2000

# Nmc Forklift Operator Manual

**Lloyd's Register Foundation**



## **Nmc Forklift Operator Manual:**

Lloyd's Register OneOcean's Guide to Port Entry 1985-1986 Lloyd's Register Foundation, 1985-01-01 First published in 1971 these Guides provide invaluable information on thousands of commercial ports and terminals across the globe They are compiled and published annually by LR OneOcean whose years of global maritime experience allows them to provide expert and innovative solutions that enhance efficiency sustainability and overall industry success The Guides cover a significant geographical breadth and the most recent volume includes information on over 12 500 ports harbours and terminals worldwide These are fully indexed and contain detailed port plans and mooring diagrams

**Lloyd's Register OneOcean's Guide to Port Entry 1989-90 Nations M-Z** Lloyd's Register Foundation, 1989-01-01 First published in 1971 these Guides provide invaluable information on thousands of commercial ports and terminals across the globe They are compiled and published annually by LR OneOcean whose years of global maritime experience allows them to provide expert and innovative solutions that enhance efficiency sustainability and overall industry success The Guides cover a significant geographical breadth and the most recent volume includes information on over 12 500 ports harbours and terminals worldwide These are fully indexed and contain detailed port plans and mooring diagrams

**Labor Relations Reference Manual** ,1996 *The Forklift Manual* John L. Ryan, L. D. Ryan, 2006 Operator's Manual United States. Department of the Army, 1976

*Operator's Manual* ,1991    *Operator's Manual* ,1990    *Operator's Manual* ,1991    **Operator's Manual** ,1990  
Operator's Manual ,1991    **Operator's Manual** ,1990    Operator's Manual ,1992    **Operator's Manual** ,1991  
Operator's Manual ,1992    **Operator's Manual** ,1992    Operator's Manual ,1991    Operator's Manual ,1991

**Truck-Mounted Forklift Safety Manual for Operating and Maintenance Personnel** ,2012-05-15    **Operator's Manual** ,1992    Operator's Manual ,1991

Nmc Forklift Operator Manual: Bestsellers in 2023 The year 2023 has witnessed a remarkable surge in literary brilliance, with numerous captivating novels captivating the hearts of readers worldwide. Lets delve into the realm of bestselling books, exploring the captivating narratives that have captivated audiences this year. Nmc Forklift Operator Manual : Colleen Hoover "It Ends with Us" This poignant tale of love, loss, and resilience has captivated readers with its raw and emotional exploration of domestic abuse. Hoover skillfully weaves a story of hope and healing, reminding us that even in the darkest of times, the human spirit can triumph. Nmc Forklift Operator Manual : Taylor Jenkins Reids "The Seven Husbands of Evelyn Hugo" This spellbinding historical fiction novel unravels the life of Evelyn Hugo, a Hollywood icon who defies expectations and societal norms to pursue her dreams. Reids compelling storytelling and compelling characters transport readers to a bygone era, immersing them in a world of glamour, ambition, and self-discovery. Nmc Forklift Operator Manual : Delia Owens "Where the Crawdads Sing" This captivating coming-of-age story follows Kya Clark, a young woman who grows up alone in the marshes of North Carolina. Owens spins a tale of resilience, survival, and the transformative power of nature, entrancing readers with its evocative prose and mesmerizing setting. These top-selling novels represent just a fraction of the literary treasures that have emerged in 2023. Whether you seek tales of romance, adventure, or personal growth, the world of literature offers an abundance of captivating stories waiting to be discovered. The novel begins with Richard Pape, a bright but troubled young man, arriving at Hampden College. Richard is immediately drawn to the group of students who call themselves the Classics Club. The club is led by Henry Winter, a brilliant and charismatic young man. Henry is obsessed with Greek mythology and philosophy, and he quickly draws Richard into his world. The other members of the Classics Club are equally as fascinating. Bunny Corcoran is a wealthy and spoiled young man who is always looking for a good time. Charles Tavis is a quiet and reserved young man who is deeply in love with Henry. Camilla Macaulay is a beautiful and intelligent young woman who is drawn to the power and danger of the Classics Club. The students are all deeply in love with Morrow, and they are willing to do anything to please him. Morrow is a complex and mysterious figure, and he seems to be manipulating the students for his own purposes. As the students become more involved with Morrow, they begin to commit increasingly dangerous acts. The Secret History is a masterful and gripping novel that will keep you guessing until the very end. The novel is a warning tale about the dangers of obsession and the power of evil.

[https://crm.avenza.com/public/publication/Download\\_PDFS/principles%20of%20computer%20security%20lab%20manual%20fourth%20edition.pdf](https://crm.avenza.com/public/publication/Download_PDFS/principles%20of%20computer%20security%20lab%20manual%20fourth%20edition.pdf)

## **Table of Contents Nmc Forklift Operator Manual**

1. Understanding the eBook Nmc Forklift Operator Manual
  - The Rise of Digital Reading Nmc Forklift Operator Manual
  - Advantages of eBooks Over Traditional Books
2. Identifying Nmc Forklift Operator Manual
  - Exploring Different Genres
  - Considering Fiction vs. Non-Fiction
  - Determining Your Reading Goals
3. Choosing the Right eBook Platform
  - Popular eBook Platforms
  - Features to Look for in an Nmc Forklift Operator Manual
  - User-Friendly Interface
4. Exploring eBook Recommendations from Nmc Forklift Operator Manual
  - Personalized Recommendations
  - Nmc Forklift Operator Manual User Reviews and Ratings
  - Nmc Forklift Operator Manual and Bestseller Lists
5. Accessing Nmc Forklift Operator Manual Free and Paid eBooks
  - Nmc Forklift Operator Manual Public Domain eBooks
  - Nmc Forklift Operator Manual eBook Subscription Services
  - Nmc Forklift Operator Manual Budget-Friendly Options
6. Navigating Nmc Forklift Operator Manual eBook Formats
  - ePub, PDF, MOBI, and More
  - Nmc Forklift Operator Manual Compatibility with Devices
  - Nmc Forklift Operator Manual Enhanced eBook Features
7. Enhancing Your Reading Experience
  - Adjustable Fonts and Text Sizes of Nmc Forklift Operator Manual
  - Highlighting and Note-Taking Nmc Forklift Operator Manual
  - Interactive Elements Nmc Forklift Operator Manual
8. Staying Engaged with Nmc Forklift Operator Manual

- Joining Online Reading Communities
  - Participating in Virtual Book Clubs
  - Following Authors and Publishers Nmc Forklift Operator Manual
9. Balancing eBooks and Physical Books Nmc Forklift Operator Manual
- Benefits of a Digital Library
  - Creating a Diverse Reading Collection Nmc Forklift Operator Manual
10. Overcoming Reading Challenges
- Dealing with Digital Eye Strain
  - Minimizing Distractions
  - Managing Screen Time
11. Cultivating a Reading Routine Nmc Forklift Operator Manual
- Setting Reading Goals Nmc Forklift Operator Manual
  - Carving Out Dedicated Reading Time
12. Sourcing Reliable Information of Nmc Forklift Operator Manual
- Fact-Checking eBook Content of Nmc Forklift Operator Manual
  - Distinguishing Credible Sources
13. Promoting Lifelong Learning
- Utilizing eBooks for Skill Development
  - Exploring Educational eBooks
14. Embracing eBook Trends
- Integration of Multimedia Elements
  - Interactive and Gamified eBooks

## **Nmc Forklift Operator Manual Introduction**

In today's digital age, the availability of Nmc Forklift Operator Manual books and manuals for download has revolutionized the way we access information. Gone are the days of physically flipping through pages and carrying heavy textbooks or manuals. With just a few clicks, we can now access a wealth of knowledge from the comfort of our own homes or on the go. This article will explore the advantages of Nmc Forklift Operator Manual books and manuals for download, along with some popular platforms that offer these resources. One of the significant advantages of Nmc Forklift Operator Manual books and manuals for download is the cost-saving aspect. Traditional books and manuals can be costly, especially if you need to

purchase several of them for educational or professional purposes. By accessing Nmc Forklift Operator Manual versions, you eliminate the need to spend money on physical copies. This not only saves you money but also reduces the environmental impact associated with book production and transportation. Furthermore, Nmc Forklift Operator Manual books and manuals for download are incredibly convenient. With just a computer or smartphone and an internet connection, you can access a vast library of resources on any subject imaginable. Whether you're a student looking for textbooks, a professional seeking industry-specific manuals, or someone interested in self-improvement, these digital resources provide an efficient and accessible means of acquiring knowledge. Moreover, PDF books and manuals offer a range of benefits compared to other digital formats. PDF files are designed to retain their formatting regardless of the device used to open them. This ensures that the content appears exactly as intended by the author, with no loss of formatting or missing graphics. Additionally, PDF files can be easily annotated, bookmarked, and searched for specific terms, making them highly practical for studying or referencing. When it comes to accessing Nmc Forklift Operator Manual books and manuals, several platforms offer an extensive collection of resources. One such platform is Project Gutenberg, a nonprofit organization that provides over 60,000 free eBooks. These books are primarily in the public domain, meaning they can be freely distributed and downloaded. Project Gutenberg offers a wide range of classic literature, making it an excellent resource for literature enthusiasts. Another popular platform for Nmc Forklift Operator Manual books and manuals is Open Library. Open Library is an initiative of the Internet Archive, a non-profit organization dedicated to digitizing cultural artifacts and making them accessible to the public. Open Library hosts millions of books, including both public domain works and contemporary titles. It also allows users to borrow digital copies of certain books for a limited period, similar to a library lending system. Additionally, many universities and educational institutions have their own digital libraries that provide free access to PDF books and manuals. These libraries often offer academic texts, research papers, and technical manuals, making them invaluable resources for students and researchers. Some notable examples include MIT OpenCourseWare, which offers free access to course materials from the Massachusetts Institute of Technology, and the Digital Public Library of America, which provides a vast collection of digitized books and historical documents. In conclusion, Nmc Forklift Operator Manual books and manuals for download have transformed the way we access information. They provide a cost-effective and convenient means of acquiring knowledge, offering the ability to access a vast library of resources at our fingertips. With platforms like Project Gutenberg, Open Library, and various digital libraries offered by educational institutions, we have access to an ever-expanding collection of books and manuals. Whether for educational, professional, or personal purposes, these digital resources serve as valuable tools for continuous learning and self-improvement. So why not take advantage of the vast world of Nmc Forklift Operator Manual books and manuals for download and embark on your journey of knowledge?

## FAQs About Nmc Forklift Operator Manual Books

1. Where can I buy Nmc Forklift Operator Manual books? Bookstores: Physical bookstores like Barnes & Noble, Waterstones, and independent local stores. Online Retailers: Amazon, Book Depository, and various online bookstores offer a wide range of books in physical and digital formats.
2. What are the different book formats available? Hardcover: Sturdy and durable, usually more expensive. Paperback: Cheaper, lighter, and more portable than hardcovers. E-books: Digital books available for e-readers like Kindle or software like Apple Books, Kindle, and Google Play Books.
3. How do I choose a Nmc Forklift Operator Manual book to read? Genres: Consider the genre you enjoy (fiction, non-fiction, mystery, sci-fi, etc.). Recommendations: Ask friends, join book clubs, or explore online reviews and recommendations. Author: If you like a particular author, you might enjoy more of their work.
4. How do I take care of Nmc Forklift Operator Manual books? Storage: Keep them away from direct sunlight and in a dry environment. Handling: Avoid folding pages, use bookmarks, and handle them with clean hands. Cleaning: Gently dust the covers and pages occasionally.
5. Can I borrow books without buying them? Public Libraries: Local libraries offer a wide range of books for borrowing. Book Swaps: Community book exchanges or online platforms where people exchange books.
6. How can I track my reading progress or manage my book collection? Book Tracking Apps: Goodreads, LibraryThing, and Book Catalogue are popular apps for tracking your reading progress and managing book collections. Spreadsheets: You can create your own spreadsheet to track books read, ratings, and other details.
7. What are Nmc Forklift Operator Manual audiobooks, and where can I find them? Audiobooks: Audio recordings of books, perfect for listening while commuting or multitasking. Platforms: Audible, LibriVox, and Google Play Books offer a wide selection of audiobooks.
8. How do I support authors or the book industry? Buy Books: Purchase books from authors or independent bookstores. Reviews: Leave reviews on platforms like Goodreads or Amazon. Promotion: Share your favorite books on social media or recommend them to friends.
9. Are there book clubs or reading communities I can join? Local Clubs: Check for local book clubs in libraries or community centers. Online Communities: Platforms like Goodreads have virtual book clubs and discussion groups.
10. Can I read Nmc Forklift Operator Manual books for free? Public Domain Books: Many classic books are available for free as they're in the public domain. Free E-books: Some websites offer free e-books legally, like Project Gutenberg or Open Library.



**Find Nmc Forklift Operator Manual :**

**principles of computer security lab manual fourth edition**

[principles of chemistry tro solutions guide](#)

[previous question paper of fitting and turning level2](#)

[principles of orthographic drawing](#)

[primary lessons on edible and nonedible plants](#)

[primerica life insurance study guide](#)

**primerica insurance study guide**

[prey marko delacroix 1](#)

**principles of general chemistry silberberg 2nd edition solution manual**

**principles of marketing armstrong 5 th edition**

[print exercise 2 organ system overview](#)

[principles of banking 10th edition](#)

[principles of macroeconomics 6th edition gottheil](#)

[princess cruise lines oatmeal cookie recipe](#)

**principles of polymerization solution manual**

**Nmc Forklift Operator Manual :**

**kral arthur dünya tarihi ansiklopedisi world history** - Jan 09 2023

web may 12 2017 diğer dillerde mevcut İngilizce Fransızca kral arthur charles ernest butler public domain kral arthur tüm zamanların en ünlü edebi karakterleri arasında yer alır arthur un yuvarlak masa Şövalyeleri camelot kutsal kase arayışı guinevere veancelot un aşkı ve büyücü merlin efsaneleri yüz yıllardır edebiyatı

[king arthur 2004 film wikipedia](#) - Aug 04 2022

web king arthur is a 2004 historical adventure film directed by antoine fuqua and written by david franzoni it features an ensemble cast with clive owen as the title character ioan gruffudd asancelot and keira knightley as guinevere along with mads mikkelsen joel edgerton hugh dancy ray winstone ray stevenson stephen dillane

**kral arthur vikipedi** - Dec 08 2022

web kral arthur britanya mitolojisindeki efsanevi camelot kralı hikâyeleri 5 yüzyıl sonları ya da 6 yüzyıl başları britanya sında geçen arthur britanyalılar için savaşta ve barışta ideal kralın simgesi olmuştur

**historicity of king arthur wikipedia** - Feb 27 2022

web the historicity of king arthur has been debated both by academics and popular writers while there have been many suggestions that king arthur was a real historical person current consensus among academic historians holds

**king arthur world history encyclopedia** - May 13 2023

web may 12 2017 king arthur is among the most famous literary characters of all time the arthurian legend of the knights of the round table camelot the quest for the holy grail the love affair of lancelet and guinevere and the wizard merlin have informed and inspired literary musical and other major artistic visions for centuries

**10 facts about king arthur the legendary ruler of camelot** - Dec 28 2021

web aug 12 2021 the figure of king arthur became popular after 1136 around the time geoffrey monmouth wrote the historia regum britanniae history of the kings of britain which claimed to chart the history of

**king arthur story legend history facts britannica** - Jul 15 2023

web aug 31 2023 king arthur also called arthur or arthur pendragon legendary british king who appears in a cycle of medieval romances known as the matter of britain as the sovereign of a knightly fellowship of the round table

arthurian legend definition summary characters books facts - May 01 2022

web aug 25 2023 arthurian legend the body of stories and medieval romances known as the matter of britain centring on the legendary king arthur medieval writers especially the french variously treated stories of arthur s birth the adventures of his knights and the adulterous love between his knight sir lancelet and his queen guinevere

**king arthur wikipedia** - Aug 16 2023

web king arthur welsh brenin arthur cornish arthur gernow breton roue arzhur french roi arthur is a legendary king of britain and a central figure in the medieval literary tradition known as the matter of britain

kral arthur king arthur filmi sinemalar com - Sep 05 2022

web aug 28 2007 kral arthur filminin özeti yorumları oyuncularını ve seansları hakkında bilgilere ulaşmak film fragmanını izlemek için tıklayın kral arthur 29 ekim 2004 Üye girişi bildirimlerim yeni bildirim yok orijinal İsmi king arthur vizyon tarihi 29 ekim 2004 süre 126dk

*kral arthur king arthur beyazperde com* - Nov 07 2022

web oct 29 2004 Özet kral arthur a dair bugüne kadar perdeye aktarılmış en gerçekçi film tarih ve politika açısından arthur un yönetiminde olduğu dönemi mercek altına alıyor roma İmparatorluğu yıkıldığında güç terazisinin ayarı bozulmuştu avrupa da

*king arthur legend of the sword wikipedia* - Jun 02 2022

web plot mordred the warlock and his armies lay siege to camelot uther pendragon the king of the britons infiltrates mordred

s lair during the attack and beheads him with the help of a unique sword forged by merlin saving camelot

*the legends of king arthur the british library* - Jul 03 2022

web jan 31 2018 king arthur the great military leader is integral in making britain a super power something which later dynasties such as the tudors recognised and used for their own ends claiming ancestry to the legendary king to

*king arthur baking try it once trust it always* - Feb 10 2023

web 16 blue ribbon winners get the recipes recipes search our quality collection of baker tested recipes video fluffy crunchy chinese pineapple buns watch now flavors of fall

**king arthur legend of the sword 2017 imdb** - Jun 14 2023

web may 12 2017 king arthur legend of the sword directed by guy ritchie with charlie hunnam astrid bergès frisbey jude law djimon hounsou robbed of his birthright arthur comes up the hard way in the back alleys of the city but once he pulls the sword from the stone he is forced to acknowledge his true legacy whether he likes it or not

*king arthur movie history story biography* - Mar 31 2022

web apr 2 2014 king arthur is a medieval mythological figure who was the head of the kingdom camelot and the knights of the round table it is not known if there was a real arthur though it is believed he

*king arthur 2004 imdb* - Apr 12 2023

web jul 7 2004 king arthur directed by antoine fuqua with clive owen ioan gruffudd mads mikkelsen joel edgerton a demystified take on the tale of king arthur and the knights of the round table

**bbc history king arthur** - Jan 29 2022

web z bronze statue of arthur legendary king of the britons a mythical king of the britons in ancient times who may be based on an historical figure it is possible that the legendary arthur is

**kral arthur kılıç efsanesi king arthur legend of the sword** - Mar 11 2023

web 12 mayıs 2017 sinemada 2s 6dk aksiyon macera fantastik yönetmen guy ritchie senarist joby harold guy ritchie oyuncular charlie hunnam astrid bergès frisbey jude law orijinal adı king arthur legend of the

[bbc history ancient history in depth king arthur once and future](#) - Oct 06 2022

web feb 17 2011 but it s really a myth masquerading as history a fantastical tale of the history of the british isles which concentrates its key pages on king arthur and his wondrous deeds in this work for

[programme de la classe terminale des séries es et l histoire et](#) - Sep 05 2023

web en classe terminale des séries es et l l histoire et la géographie font partie des enseignements obligatoires les programmes de cette classe identiques pour les deux séries donnent des clés pour une lecture historique et

**révisions bac histoire lumni** - Jan 29 2023

web quiz vidéos articles révisez vos connaissances du programme d histoire de terminale contrôle continu et coefficient au bac l histoire géographie est une matière du tronc commun de l enseignement évaluée en contrôle continu et dotée d un coefficient 6 3 en première 3 en terminale

**fiche ressources éducol en histoire géographie en** - Feb 15 2022

web les programmes d histoire géographie en baccalauréat professionnel ont été publiés au bo spécial n 5 du 11 avril 2019 ils entrent en vigueur à la rentrée 2019 en seconde professionnelle à la rentrée 2020 en première professionnelle et à la rentrée 2021 en terminale professionnelle

[sujets e3c 2021 histoire géographie général en classe de terminale au bac 2](#) - Mar 19 2022

web 2021 pour l épreuve histoire géographie hg voie générale en classe de terminale e3c3 au bac général les sujets sont classés selon les thèmes et chapitres du programme auxquels ils font référence pour le bac 2021

[sujets e3c 2021 histoire géographie général en classe de terminale au bac](#) - Oct 06 2023

web cette page rassemble les sujets e3c de l année 2021 pour l épreuve histoire géographie hg voie générale en classe de terminale e3c3 au bac général les sujets sont classés selon les thèmes et chapitres du programme auxquels ils font référence pour le bac 2021

**terminale annales et corrigés du bac d histoire géographie** - Apr 19 2022

web le bac d histoire géographie en terminale demande une préparation méthodique en effet les attentes des correcteurs sont souvent différentes des exercices réalisés en cours de plus s entraîner via des annales permet de développer ses automatismes et sa culture historique et géographique utile pour la poursuite d étude

**cours et programme d histoire géographie de terminale générale** - Jul 23 2022

web révisez vos cours d histoire géographie de terminale générale avec annabac fiches de cours annales corrigées exercices et vidéos programmes officiels de l Éducation nationale

**sujet e3c n 05661 du bac histoire géographie général terminale** - Sep 24 2022

web sujet officiel complet e3c n 05661 pour l épreuve du bac histoire géographie général classe de terminale keywords sujet officiel complet bac e3c histoire géographie général terminale n 05661 gtchige05661 annale pdf gratuit baccalauréat sujetdebac sujetdebac fr created date 2 24 2021 2 32 04 pm

[prépac histoire géographie tle générale bac 2023](#) - Jun 02 2023

web un outil de travail complet et efficace conforme au nouveau programme d histoire géographie enseignement du tronc commun en tle générale de nombreuses ressources le cours les méthodes clés exercices et sujets pour vous accompagner tout au long de votre terminale

**sujet hg n 05511 004 gtchige05511 ec 2021 ccbac fr** - Jun 21 2022

web voie générale terminale hg sujet 05511 004 sujet calculatrice interdite référence gtchige05511 matière histoire géographie session 2021 epreuves de terminale source quandjepasselebac education fr parties 2 question problématisée etude de document s document gtchige05511 sujet4 pdf 955 6 kio 3 pages  
*sujet e3c n 05516 du bac histoire géographie général terminale - Oct 26 2022*  
web sujet e3c n 05516 du bac histoire géographie général terminale page 1 5 Évaluations communes classe terminale ec ec1 ec2 ec3 voie générale technologique toutes voies lv enseignement histoire géographie  
programme d histoire géographie en terminale es - Aug 04 2023  
web découvrez le contenu officiel et les caractéristiques du programme d histoire géographie en terminale es et soyez prêts pour le bac cours particuliers stages intensifs  
**ebook pra c pabac histoire ga c ographie terminale l es - Jul 03 2023**  
web pra c pabac histoire ga c ographie terminale l es histoire géographie terminale nouveaux programmes nov 28 2022 parce que la méthodologie est essentielle pour réussir avec succès ses épreuves du baccalauréat et que la réforme mise en place au lycée vise un parcours de l élève de la classe  
cours d histoire géographie terminale générale super bac - May 21 2022  
web fiches d histoire géographie terminale générale à télécharger pour les e3c du bac 2023 ces cours d histoire géo rédigés par des professeurs certifiés sont conformes à la réforme du bac  
free pdf download blocs fiches abc bac ga c ographie terminales l e - Aug 24 2022  
web fiches bac géographie tle l es apr 01 2022 fiches de cours et quiz d évaluation un outil de révision 100 efficace pour préparer l épreuve d histoire géographie du bac l et es l essentiel du programme en 46 fiches claires et visuelles des fiches de cours pour réviser des fiches récap express pour fixer ses  
*programme d histoire géographie de terminale générale éducol - Nov 26 2022*  
web programme d histoire géographie de terminale générale sommaire préambule l histoire et la géographie au lycée capacités travaillées et méthodes acquises en histoire et en géographie histoire l enseignement de l histoire au lycée classe terminale les relations entre les puissances et l opposition  
**histoire géographie tle l es s prépac entraînement - Feb 27 2023**  
web objectif filières sélectives terminale l es s histoire géographie tle l es s prépac entraînement intensif geraldine demagny florence holstein Gérard pointereau hatier des milliers de livres avec la livraison chez vous en 1 jour ou en magasin avec  
sujet e3c n 05517 du bac histoire géographie général terminale - Dec 28 2022  
web sujet officiel complet e3c n 05517 pour l épreuve du bac histoire géographie général classe de terminale keywords sujet

officiel complet bac e3c histoire géographie général terminale n 05517 gtchige05517 annale pdf gratuit baccalauréat  
sujetdebac sujetdebac fr created date 2 24 2021 10 12 10 am

l'épreuve d histoire géographie au bac en terminale l es - May 01 2023

web l'épreuve d histoire géographie au bac en terminale l es fiche de révision de histoire géo tle es sur annabac com site de référence

histoire géographie tle l es amazon fr - Mar 31 2023

web histoire géographie tle l es prépbac réussir l examen fiches de cours et sujets de bac corrigés terminale es l vanacore  
anne gintrac cécile mendola

**amazon railpass railmap europe 2019 discover europe - Jan 08 2023**

web jan 8 2019 amazon railpass railmap europe 2019 discover europe with icon and info illustrated railway atlas specifically designed for global eurail and interrail railpass holders ross caty railroads □□ nonfiction transportation □□ 2 245 □□□□ 22pt 1 □□□□□□ □□□□ 1□13□ □□□□□□□□ □□□□□ □□□ □□□□

**the best rail passes in europe tripsavvy - Dec 27 2021**

web sep 9 2021 in this example the cheapest scanrail pass will cost you 291 for five days of first class travel in two months a second class fare for an oslo to bergen trip will run you between 119 and 140 depending on time and date the fare between malmo and stockholm is 141

*railpass railmap europe night trains 2019 discover europe - May 12 2023*

web railpass railmap europe night trains 2019 discover europe with icon and info illustrated railway atlas specifically designed for global eurail and interrail railpass holders ross caty amazon com tr kitap

**rail passes railpass com - Mar 30 2022**

web whether you are looking to explore a single country in europe by train or all 28 there s a eurail pass for you choosing the right european rail pass for you depends entirely on how and where you want to travel whether getting around one country by train or the entirety of the eu there s a rail pass that fits your needs

*inforailmap 2023 discover your europe - Feb 26 2022*

web info rail map discover your europe the european railpass atlases designed for interrail eurail pass holders

**amazon com interrail inforailmap europe 2019 discover the - Dec 07 2022**

web feb 13 2019 buy interrail inforailmap europe 2019 discover the whole of europe with inforailmap specifically designed for interrail and eurail rail pass holders read kindle store reviews amazon com

**railpass railmap europe 2019 discover the whole european - Sep 04 2022**

web adlibris about railpass railpass eurail and europe rail rail map europe alpine special pdf epub download cause railpass

railmap europe 2019 discover the whole european railpass railmap europe discover europe with icon and download railpass railmap europe alpine special 2018 pdf download rail atlas europe pdf search

**railpass railmap europe 2019 discover europe with icon and** - Apr 30 2022

web aug 29 2023 poster pdf free pdf railpass railmap europe 2019 download full pdf caty ross author of discover europe by railpass 2018 deutsche bahn discover germany and europe by rail railpass railmap europe 2019 caty ross häftad train italy

**railpass railmap europe 2019 discover europe with icon and** - Aug 15 2023

web buy railpass railmap europe 2019 discover europe with icon and info illustrated railway atlas specifically designed for global eurail and interrail railpass holders by ross caty isbn 9781911165248 from amazon s book store everyday low prices and free delivery on eligible orders

railpass railmap europe 2019 discover europe with wrbb neu - Jul 02 2022

web railpass railmap europe 2019 discover europe with 3 3 in their own right from the alps to the baltic from the shores of the north sea to the mediterranean europe by rail is an invitation to adventure for short city breaks or an entire month exploring europe this book is the perfect partner for journey planning and for taking along on the

*railpass railmap europe 2019 discover europe with icon and* - Feb 09 2023

web paperback 25 54 5 new from 25 54 railpass inforailmap europe 2019 is specifically designed for global interrail eurail railpass holders and includes super detailed railpass inforailmap for switzerland and austria french german and italian alpine routes plus northern slovenia and southern czechia providing instant and clear identification

railpass railmap europe 2019 discover europe with - Jan 28 2022

web railpass inforailmap europe 2019 is specifically designed for global interrail eurail railpass holders and includes super detailed railpass inforailmap for switzerland and austria french german

*railpass railmap europe night trains 2019 discover europe alibris* - Nov 06 2022

web buy railpass railmap europe night trains 2019 discover europe with icon and info illustrated railway atlas specifically designed for global eurail and interrail railpass holders by caty ross online at alibris we have new and used copies available in 1 editions starting at 15 84 shop now

*railpass railmap europe 2019 abebooks* - Mar 10 2023

web jan 31 2019 railpass railmap europe night trains 2019 discover europe with icon and info illustrated railway atlas specifically designed for global eurail and paperback or softback by ross caty and a great selection of related books art and collectibles available now at abebooks com

**railpass railmap europe 2019 discover the whole european** - Jul 14 2023

web buy railpass railmap europe 2019 discover the whole european continent with icon info and photo illustrated railway

atlas specifically designed for global interrail eurail railpass holders by ross caty isbn 9781911165224 from amazon s book store free uk delivery on eligible orders

*railpass railmap europe night trains 2019 discover europe* - Apr 11 2023

web jan 31 2019 railpass railmap europe night trains 2019 discover europe with icon and info illustrated railway atlas specifically designed for global eurail and interrail railpass holders ross caty on amazon com free shipping on qualifying offers

railpass railmap europe 2019 discover the whole european - Aug 03 2022

web railmap europe 2019 book pdf download railpass railmap europe discover europe with icon and pdf europe by eurail 2019 download ebook for free railpass railmap europe 2018 railpass railmap europe 2019 discover the whole european caty railpass railmap europe yumpu - Oct 05 2022

web even fiction textbooks can get out dated sometimes railpass railmap europe night trains 2019 discover europe with icon and info illustrated railway atlas specifically designed for global eurail and interrail railpass holders so you must develop ebooks railpass railmap europe night trains 2019 discover europe with icon and info

railpass com eurail and europe rail pass experts - Jun 01 2022

web explore europe from portugal to poland and beyond get inspired with our insider information on 28 european countries including top festivals events best time to go weather recommendations and maps

*railpass railmap europe 2019 discover europe with icon and* - Jun 13 2023

web railpass railmap europe 2019 discover europe with icon and info illustrated railway atlas specifically designed for global eurail and interrail railpass holders