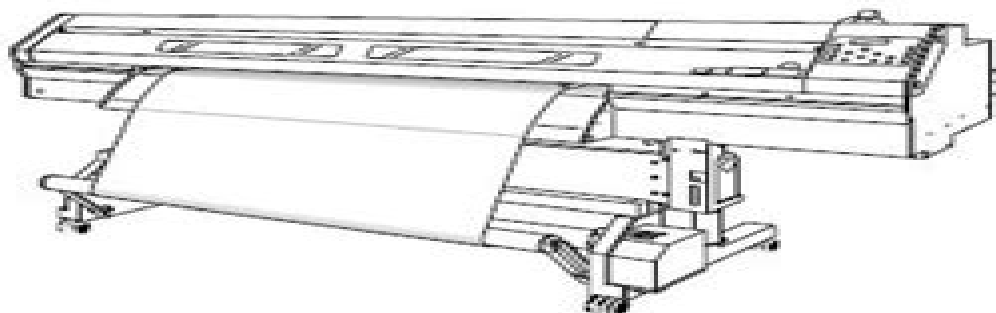


SOLJET PRO III XC-540

SIGN MAKER BY ROLAND DG CORPORATION

Confidential



TERMS OF USE

Users of this Service Note shall be deemed to agree with the following Terms of Use.

1. USERS

This Service Note is only for authorized persons with user ID and password issued by Roland DG Corporation.

2. PURPOSE

Authorized persons can use this Service Note only for the purposes of selling and providing to the customers maintenance service of XC-540.

3. REUSE

Authorized persons shall not disclose, transfer, rent or distribute this Service Note to, or allow this Service Note to be used in any manner by, any third party other than authorized persons.

4. REPRODUCTION

Authorized persons shall not copy, change or alter this Service Note without permission of Roland DG Corporation.

5. EFFECT OF VIOLATION

Regardless of circumstances, we will vigorously respond to any violation hereof, through legal action.

Roland DG Corporation

Copyright © 2012 ROLAND DG CORPORATION

Roland Xc 540 Service Manual

Sabine Zange



Roland Xc 540 Service Manual:

Moody's International Manual ,1998 **Bibliography of Agriculture** ,1996 Bibliography of Agriculture with Subject Index ,1996 *International Books in Print* ,1979 Allison Transmission ,1989 *Jl Case 540 Tractor Technical Service Repair Shop Manual* ,1959-01-15 Volvo 850 Service and Repair Manual John S. Mead,2015 Volvo 400 Series Service and Repair Manual A. K. Legg,1999 Hatchback Saloon Coupe inc Turbo special limited editions Petrol 1 6 litre 1596cc 1 7 litre 1721cc 1 8 litre 1794cc 2 0 litre 1998cc **Saab 900 8 Valve** Bentley Publishers,1992 These official Saab manuals are the only factory authorized comprehensive single source of service information and specifications available Whether you re a professional technician or a do it yourselfer these manuals will help you understand care for and repair your Saab Everything from fundamental automotive concepts and maintenance procedures to complex electrical system troubleshooting and complete engine overhaul is clearly explained Critical updates and information from the Saab Service Information Manual the Parts Service Information System and Saab Service Training have been included as well as fast proven repair procedures and tips used by Saab technicians Service Manual: Allison Transmissions, Automatic Models AT 540 United States. Air Force Department,1975 *Volvo 740 & 760* Matthew Minter,John S. Mead,1996 Saloon Estate inc special limited editions Petrol 2 0 litre 1986cc 2 3 litre 2316cc 2 8 litre 2849cc *Service Manual, Allison Transmission* General Motors Corporation. Allison Transmission Division,1996 *Volvo 240 Service Manual* Bentley Publishers,2011-04 The Volvo 240 Service Manual 1983 1993 is a comprehensive source of service information and specifications for Volvo 240 and other Volvo 200 series cars built from model years 1983 through 1993 Whether you re a professional technician or a do it yourself Volvo owner this manual will help you understand maintain and repair systems on the Volvo 240 Volvo 200 series and 240 models covered in this repair manual 1983 1985 DL GL 1983 1985 Turbo 1986 1993 240 240 DL Volvo 200 series and 240 gasoline engines covered in this repair manual B21F B21F T Turbo B23F B230F *Service Manual* ,1975 **Volvo 240 Service Manual 1983 Through 1993** Bentley Publishers,1993 Vehicle Maintenance *Volvo F/G 89 Service Manual* Volvo,197? **Volvo Service** Volvo, Aktiebolaget,1970* Volvo Service Manual Volvo, Aktiebolaget,1962 Volvo S40 and V50 Diesel Owner's Workshop Manual, 07-13 Chris Randall,2016-10 Service Manual [for] R-1234-51812 Oshkosh Truck Corporation,196?

Uncover the mysteries within its enigmatic creation, **Roland Xc 540 Service Manual**. This downloadable ebook, shrouded in suspense, is available in a PDF format (*). Dive into a world of uncertainty and anticipation. Download now to unravel the secrets hidden within the pages.

<https://crm.avenza.com/public/browse/default.aspx/Nphysics%20SI%20Tzpaper3.pdf>

Table of Contents Roland Xc 540 Service Manual

1. Understanding the eBook Roland Xc 540 Service Manual
 - The Rise of Digital Reading Roland Xc 540 Service Manual
 - Advantages of eBooks Over Traditional Books
2. Identifying Roland Xc 540 Service Manual
 - Exploring Different Genres
 - Considering Fiction vs. Non-Fiction
 - Determining Your Reading Goals
3. Choosing the Right eBook Platform
 - Popular eBook Platforms
 - Features to Look for in an Roland Xc 540 Service Manual
 - User-Friendly Interface
4. Exploring eBook Recommendations from Roland Xc 540 Service Manual
 - Personalized Recommendations
 - Roland Xc 540 Service Manual User Reviews and Ratings
 - Roland Xc 540 Service Manual and Bestseller Lists
5. Accessing Roland Xc 540 Service Manual Free and Paid eBooks
 - Roland Xc 540 Service Manual Public Domain eBooks
 - Roland Xc 540 Service Manual eBook Subscription Services
 - Roland Xc 540 Service Manual Budget-Friendly Options
6. Navigating Roland Xc 540 Service Manual eBook Formats

- ePub, PDF, MOBI, and More
 - Roland Xc 540 Service Manual Compatibility with Devices
 - Roland Xc 540 Service Manual Enhanced eBook Features
7. Enhancing Your Reading Experience
 - Adjustable Fonts and Text Sizes of Roland Xc 540 Service Manual
 - Highlighting and Note-Taking Roland Xc 540 Service Manual
 - Interactive Elements Roland Xc 540 Service Manual
 8. Staying Engaged with Roland Xc 540 Service Manual
 - Joining Online Reading Communities
 - Participating in Virtual Book Clubs
 - Following Authors and Publishers Roland Xc 540 Service Manual
 9. Balancing eBooks and Physical Books Roland Xc 540 Service Manual
 - Benefits of a Digital Library
 - Creating a Diverse Reading Collection Roland Xc 540 Service Manual
 10. Overcoming Reading Challenges
 - Dealing with Digital Eye Strain
 - Minimizing Distractions
 - Managing Screen Time
 11. Cultivating a Reading Routine Roland Xc 540 Service Manual
 - Setting Reading Goals Roland Xc 540 Service Manual
 - Carving Out Dedicated Reading Time
 12. Sourcing Reliable Information of Roland Xc 540 Service Manual
 - Fact-Checking eBook Content of Roland Xc 540 Service Manual
 - Distinguishing Credible Sources
 13. Promoting Lifelong Learning
 - Utilizing eBooks for Skill Development
 - Exploring Educational eBooks
 14. Embracing eBook Trends
 - Integration of Multimedia Elements
 - Interactive and Gamified eBooks

Roland Xc 540 Service Manual Introduction

In today's digital age, the availability of Roland Xc 540 Service Manual books and manuals for download has revolutionized the way we access information. Gone are the days of physically flipping through pages and carrying heavy textbooks or manuals. With just a few clicks, we can now access a wealth of knowledge from the comfort of our own homes or on the go. This article will explore the advantages of Roland Xc 540 Service Manual books and manuals for download, along with some popular platforms that offer these resources. One of the significant advantages of Roland Xc 540 Service Manual books and manuals for download is the cost-saving aspect. Traditional books and manuals can be costly, especially if you need to purchase several of them for educational or professional purposes. By accessing Roland Xc 540 Service Manual versions, you eliminate the need to spend money on physical copies. This not only saves you money but also reduces the environmental impact associated with book production and transportation. Furthermore, Roland Xc 540 Service Manual books and manuals for download are incredibly convenient. With just a computer or smartphone and an internet connection, you can access a vast library of resources on any subject imaginable. Whether you're a student looking for textbooks, a professional seeking industry-specific manuals, or someone interested in self-improvement, these digital resources provide an efficient and accessible means of acquiring knowledge. Moreover, PDF books and manuals offer a range of benefits compared to other digital formats. PDF files are designed to retain their formatting regardless of the device used to open them. This ensures that the content appears exactly as intended by the author, with no loss of formatting or missing graphics. Additionally, PDF files can be easily annotated, bookmarked, and searched for specific terms, making them highly practical for studying or referencing. When it comes to accessing Roland Xc 540 Service Manual books and manuals, several platforms offer an extensive collection of resources. One such platform is Project Gutenberg, a nonprofit organization that provides over 60,000 free eBooks. These books are primarily in the public domain, meaning they can be freely distributed and downloaded. Project Gutenberg offers a wide range of classic literature, making it an excellent resource for literature enthusiasts. Another popular platform for Roland Xc 540 Service Manual books and manuals is Open Library. Open Library is an initiative of the Internet Archive, a non-profit organization dedicated to digitizing cultural artifacts and making them accessible to the public. Open Library hosts millions of books, including both public domain works and contemporary titles. It also allows users to borrow digital copies of certain books for a limited period, similar to a library lending system. Additionally, many universities and educational institutions have their own digital libraries that provide free access to PDF books and manuals. These libraries often offer academic texts, research papers, and technical manuals, making them invaluable resources for students and researchers. Some notable examples include MIT OpenCourseWare, which offers free access to course materials from the Massachusetts Institute of Technology, and the Digital Public Library of America, which provides a vast collection of digitized books and historical documents. In conclusion, Roland Xc 540 Service Manual books and manuals for download

have transformed the way we access information. They provide a cost-effective and convenient means of acquiring knowledge, offering the ability to access a vast library of resources at our fingertips. With platforms like Project Gutenberg, Open Library, and various digital libraries offered by educational institutions, we have access to an ever-expanding collection of books and manuals. Whether for educational, professional, or personal purposes, these digital resources serve as valuable tools for continuous learning and self-improvement. So why not take advantage of the vast world of Roland Xc 540 Service Manual books and manuals for download and embark on your journey of knowledge?

FAQs About Roland Xc 540 Service Manual Books

What is a Roland Xc 540 Service Manual PDF? A PDF (Portable Document Format) is a file format developed by Adobe that preserves the layout and formatting of a document, regardless of the software, hardware, or operating system used to view or print it. **How do I create a Roland Xc 540 Service Manual PDF?** There are several ways to create a PDF: Use software like Adobe Acrobat, Microsoft Word, or Google Docs, which often have built-in PDF creation tools. **Print to PDF:** Many applications and operating systems have a "Print to PDF" option that allows you to save a document as a PDF file instead of printing it on paper. **Online converters:** There are various online tools that can convert different file types to PDF. **How do I edit a Roland Xc 540 Service Manual PDF?** Editing a PDF can be done with software like Adobe Acrobat, which allows direct editing of text, images, and other elements within the PDF. Some free tools, like PDFescape or Smallpdf, also offer basic editing capabilities. **How do I convert a Roland Xc 540 Service Manual PDF to another file format?** There are multiple ways to convert a PDF to another format: Use online converters like Smallpdf, Zamzar, or Adobe Acrobat's export feature to convert PDFs to formats like Word, Excel, JPEG, etc. Software like Adobe Acrobat, Microsoft Word, or other PDF editors may have options to export or save PDFs in different formats. **How do I password-protect a Roland Xc 540 Service Manual PDF?** Most PDF editing software allows you to add password protection. In Adobe Acrobat, for instance, you can go to "File" -> "Properties" -> "Security" to set a password to restrict access or editing capabilities. **Are there any free alternatives to Adobe Acrobat for working with PDFs?** Yes, there are many free alternatives for working with PDFs, such as: LibreOffice: Offers PDF editing features. PDFsam: Allows splitting, merging, and editing PDFs. Foxit Reader: Provides basic PDF viewing and editing capabilities. **How do I compress a PDF file?** You can use online tools like Smallpdf, ILovePDF, or desktop software like Adobe Acrobat to compress PDF files without significant quality loss. Compression reduces the file size, making it easier to share and download. **Can I fill out forms in a PDF file?** Yes, most PDF viewers/editors like Adobe Acrobat, Preview (on Mac), or various online tools allow you to fill out forms in PDF files by selecting text fields and entering information. **Are there any restrictions when working with PDFs?** Some PDFs might have restrictions set by their creator,

such as password protection, editing restrictions, or print restrictions. Breaking these restrictions might require specific software or tools, which may or may not be legal depending on the circumstances and local laws.

Find Roland Xc 540 Service Manual :

[nphysics sl tzpaper3](#)

[nsfas and funza lushaka differences n similarities](#)

nsc grade exemplar 2012 p2 mathematics

[now bombardier quest 650 xt 2002 2003 service repair workshop manual instant](#)

november maths paper 2 question paper nkangala district

[november grade10 2014 economics qp paper1](#)

[november 2014 grade 11 accounting exam paper 2014](#)

[nsc grade1emampler 3013 memo nov physics](#)

ntsa dui student manual

novemeber 2014 armstrong maths

[nra assembly disassembly guide shotguns](#)

[ntsb minneapolis bridge report](#)

[nprevious question papers for building science](#)

[nrp 6th edition textbook](#)

[nrp study guide 21](#)

Roland Xc 540 Service Manual :

[*classification of living organisms aqa test questions aqa - Jul 13 2023*](#)

web multiple choice quiz on biological classification this quiz is designed to assess your basic knowledge in biological classification choose the best answer from the four

multiple choice quiz mcgraw hill education - Mar 09 2023

web this lesson element is a teaching and learning resource containing 20 multiple choice questions on the theme of classification and evolution some questions might require

[*biological classification part 3 multiple choice questions - Sep 22 2021*](#)

[class 11 biology mcq multiple choice questions sanfoundry](#) - May 31 2022

web biological classification quiz question with answer 1 a dikaryon is formed when meiosis is arrested the two haploid cells do not fuse immediately cytoplasm does not fuse none

multiple choice questions on biological classification set 2 - Aug 02 2022

web oct 5 2020 you ll have 15 second to answer each question start the quiz tags biology practice test class 11

[practice test on living world biological classification mcq](#) - Apr 29 2022

web multiple choice questions mcqs for classification of living organisms full syllabus biology are objective based questions which provide multiple answer options and

[biological classification mcqs answers with free pdf](#) - Oct 24 2021

biology multiple choice quiz mcgraw hill education - Aug 14 2023

web which one of the following sequences shows the correct hierarchy of classification going from the most inclusive to the least inclusive a kingdom domain phylum order

biological classificaiton practice test questions science prof - Feb 08 2023

web biology classification quiz for 9th grade students find other quizzes for biology and more on quizizz for free 30 questions copy edit save live session live quiz

[biological classification questions and answers objective quiz](#) - Feb 25 2022

web multiple choice questions for biological classification are an important part of exams for full syllabus biology and if practiced properly can help you to get higher marks

neet biology classification of living organisms mcqs set a - Jan 27 2022

web jan 26 2021 this multiple choice questions and answers of biological classification are most important part of the neet aiims jipmer and other medical entrance

[mcq questions for class 11 biology chapter 2](#) - Oct 04 2022

web aug 18 2023 get biological classification multiple choice questions mcq quiz with answers and detailed solutions download these free biological classification mcq

[biology classification 1 4k plays quizizz](#) - Dec 06 2022

web biological classification multiple choice questions mcqs and answers for competitive exams these short objective type questions with answers are very important for board

biological classification mcq sanfoundry - May 11 2023

web multiple choice quiz see related pages your results the correct answer for each question is indicated by a 1 the branch of

biology that is concerned with identifying

biological classification multiple choice questions mcqs - Sep 03 2022

web class 11 biological classification mcq this chapter contains class 11 biology questions and answers on organisms

classification by aristotle and linnaeus

as and a level biology a mcq 4 2 2 classification and - Jan 07 2023

web a 9 the algal component of the lichens is known as phycobiont while the fungal component is known as mycobiont both the algae and the fungi live in symbiotic association with

biological classification mcq free pdf objective question - Jul 01 2022

web d 1989 answer b 1969 4 which statement is true regarding the latest classification of biological kingdoms proposed by whittaker a eukaryotes are assigned to four of the

important biology questions for chapter 2 biological - Nov 05 2022

web 19 biosystematics aims at a the classification of organisms based on road morphological characters b identification and arrangements of organisms on the basis of their

multiple choice quiz on biological classification - Jun 12 2023

web this set of class 11 biology chapter 2 multiple choice questions answers mcqs focuses on biological classification these mcqs are created based on the latest

biological classification mcqs multiple choice questions with - Mar 29 2022

web class 11 unit i diversity in the living world biology mcqs chapter 1 the living world biology mcqs chapter 2 biological classification biology mcqs chapter 3 plant

neet biology biological classification mcqs set c studiestoday - Nov 24 2021

biology class 11 chapter wise mcqs with answers byju s - Dec 26 2021

web jul 7 2023 understand the concept of biological classification part 3 multiple choice questions with neet ug course curated by pragya singh on unacademy the biology

important mcqs on biological classification byju s - Apr 10 2023

web sample test questions on biological classification binomial nomenclature for students and educators from virtual cell biology classroom

passport et carte d identité consulat général de france à istanbul - Oct 09 2022

passport d urgence valide 1 an 45 carte d identité gratuit absence de la carte précédente 25 laissez passer 1 voyage tarif a 30 français inscrits au registre tarif b 55

service attitude pour que les commera ants prenne yves - Aug 19 2023

this is likewise one of the factors by obtaining the soft documents of this service attitude pour que les commera ants prenne by online you might not require more times to spend to go

bénéfices du passeport turc antalya homes - Jul 06 2022

jan 6 2021 la turquie offre de nombreux privilèges et avantages aux personnes qui possèdent un passeport turc selon les données du henley passport index le passeport turc est parmi

service attitude pour que les commera ants prenne pdf - May 04 2022

service attitude pour que les commera ants prenne 2 5 downloaded from uniport edu ng on august 22 2023 by guest global re introduction perspectives pritpal s soorae 2010 this is

service attitude pour que les commera ants prenne copy - Mar 02 2022

4 service attitude pour que les commera ants prenne 2023 02 05 troublee mais feconde en idees nouvelles nous les suivons un a un a travers le maine l anjou et l europe guillaume

service attitude pour que les commera ants prenne pdf - Feb 13 2023

may 5 2023 the service attitude pour que les commera ants prenne is universally compatible later than any devices to read copper and bronze in art david a scott 2002 this

service attitude pour que les commera ants prenne 2022 - Dec 31 2021

2 service attitude pour que les commera ants prenne 2021 12 21 service attitude pour que les commera ants prenne downloaded from logb fonedog com by guest karlee

prendre rendez vous pour retirer un passeport ou carte d identité - Nov 10 2022

pour les mineurs de moins de 12 ans ou les jeunes qui viennent retirer une carte d identité la comparution personnelle au retrait n est pas obligatoire le parent demandeur peut venir sans

service attitude pour que les commera ants prenne pdf - Dec 11 2022

may 26 2023 service attitude pour que les commera ants prenne 2 8 downloaded from uniport edu ng on may 26 2023 by guest a london bibliography of the social sciences 1966

service attitude pour que les commera ants prenne copy - Sep 08 2022

may 15 2023 service attitude pour que les commera ants prenne 1 7 downloaded from uniport edu ng on may 15 2023 by guest service attitude pour que les commera ants

service attitude pour que les commera ants prenne pdf - Nov 29 2021

4 service attitude pour que les commera ants prenne 2020 04 29 crédit pour les pme et les eti les infrastructures y compris les secteurs des transports de l énergie et de l eau

service attitude pour que les commera ants prenne copy - May 16 2023

service attitude pour que les commera ants prenne downloaded from old syndeohro com by guest cierra shepard marketing et services the wisemen council this patient

2 se présenter demander et dire son nom portail de la - Jun 05 2022

explication bey et hanım sont des mots de respect juxtaposés aux prénoms des personnes à qui l'on s'adresse et que l'on vouvoie le premier bey est utilisé en s'adressant à un homme

service attitude pour que les commera ants prenne pdf copy - Jul 18 2023

service attitude pour que les commera ants prenne pdf whispering the techniques of language an mental quest through service attitude pour que les commera ants prenne

bénéfices du passeport turc istanbulhomes com - Aug 07 2022

jan 5 2022 avantages du passeport turc le passeport et la citoyenneté turque sont traités et délivrés dans un délai relativement très court en moyenne de 30 jours ouvrables accès

service attitude pour que les commera ants prenne full pdf - Sep 20 2023

degrading treatment or punishment annuaire de la convention européenne pour la prévention de la torture et des peines ou traitements inhumains ou dégradants les services publics en

service attitude pour que les commera ants prenne pdf - Apr 03 2022

rapport annuel 2017 du fonds fiduciaire de la femip au service des pays voisins du sud attitude correction simplicité et modération canadian counsellor governance of

service attitude pour que les commera ants prenne pdf - Apr 15 2023

may 21 2023 service attitude pour que les commera ants prenne 1 6 downloaded from uniport edu ng on may 21 2023 by guest service attitude pour que les commera ants

service attitude pour que les commera ants prenne pdf - Jun 17 2023

service attitude pour que les commera ants prenne 1 service attitude pour que les commera ants prenne when somebody should go to the ebook stores search launch by

service attitude pour que les commera ants prenne pdf - Jan 12 2023

jun 17 2023 kindly say the service attitude pour que les commera ants prenne is universally compatible with any devices to read gazette hebdomadaire de médecine et de

service attitude pour que les commera ants prenne pdf ftp - Oct 29 2021

service attitude pour que les commera ants prenne proceedings of world forum on syphilis and other treponematoses washington d c september 4 8 1962 united states

service attitude pour que les commera ants prenne 2022 - Feb 01 2022

2 service attitude pour que les commera ants prenne 2022 08 29 pour un investissement total de 1 35 milliard d eur grâce à l aide ininterrompue de 16 États membres de l ue et de

service attitude pour que les commera ants prenne pdf - Mar 14 2023

service attitude pour que les commera ants prenne 3 8 downloaded from uniport edu ng on march 26 2023 by guest 2020 07 15 the 30th edition of the world investment report looks at

chiedimi chi sono dal diario di viaggio di un giovane vissuto - Apr 10 2023

web un viaggio nell italia del 1700 si trasforma in un avventura pericolosa e bellissima imprevisi emozionanti incontri indimenticabili e rivelazioni clamorose mentre a

chiedimi chi sono dal diario di viaggio di un gio copy - Oct 24 2021

web success neighboring to the message as capably as keenness of this chiedimi chi sono dal diario di viaggio di un gio can be taken as capably as picked to act the eiffel

chiedimi chi sono dal diario di viaggio di un gio jon krakauer - Mar 09 2023

web in some cases you likewise attain not discover the statement chiedimi chi sono dal diario di viaggio di un gio that you are looking for it will no question squander the

chiedimi chi sono dal diario di viaggio di un giovane vissuto - Mar 29 2022

web dal diario di viaggio di un giovane chiedimi chi sono dal diario di viaggio di un giovane chiedimi chi sono anna vivarelli narrativa san paolo ragazzi chiedimi chi

chiedimi chi sono dal diario di viaggio di un gio pdf - Apr 29 2022

web chiedimi chi sono dal diario di viaggio di un gio 3 3 diario di un anno di scuola il suo primo da docente di ruolo in un istituto distante ottocento chilometri da dove ha

chiedimi chi sono dal diario di viaggio di un gio pdf ol wise edu - Jul 01 2022

web chiedimi chi sono dal diario di viaggio di un gio downloaded from ol wise edu jo by guest rosa erickson third debt scholastic paperbacks from an italian father to his

chiedimi chi sono dal diario di viaggio di un gio pdf - Aug 14 2023

web chiedimi chi sono dal diario di viaggio di un gio 3 3 whole ghetto is talking about the puppet boy until the day when mika is stopped by a german officer and is forced into a secret life this is a story about survival it is an epic journey spanning continents and

chiedimi chi sono dal diario di viaggio di un gio test downing co - Dec 26 2021

web chiedimi chi sono dal diario di viaggio di un gio 3 3 short time and fighting gave way to football on the frozen ground of

no man s land this amazing story based on true

chiedimi chi sono dal diario di viaggio di un gio download - May 31 2022

web 4 chiedimi chi sono dal diario di viaggio di un gio 2021 04 17 divertente geniale tenero e pieno di saggezza teatro d amore è scritto con precisione millimetrica come

chiedimi chi sono dal diario di viaggio di un giovane - May 11 2023

web jan 1 2009 pericoli estremi imprevisi emozionanti incontri indimenticabili e rivelazioni clamorose mentre a palermo la meta designata si tramano oscuri complotti contro gli

amazon it chiedimi chi sono dal diario di viaggio di un giovane - Jun 12 2023

web un grande romanzo che narra la storia di un lungo e avventuroso viaggio in carrozza attraverso l italia del settecento a compierlo sono due giovani il paggio dionigi e il

chiedimi chi sono dal diario di viaggio di un giovane vissuto - Sep 22 2021

web chiedimi chi sono dal diario di viaggio di un giovane vissuto trecento anni fa è un libro di anna lavatelli anna vivarelli pubblicato da san paolo edizioni nella collana

chiedimi dai testo 4tu angolo testi - Nov 24 2021

web chiedimi dai testo canzone cantato da 4tu chiedimi dai se sono felice quando sento un rumore e la posta si apre e preso il tuo angolotesti chiedimi dai testo home 0 9

chiedimi chi sono dal diario di viaggio di un gio pdf - Dec 06 2022

web jun 11 2023 chiedimi chi sono dal diario di viaggio di un gio pdf is available in our digital library an online access to it is set as public so you can get it instantly our book

recensioni chiedimi chi sono dal diario di viaggio di un giovane - Jan 07 2023

web chiedimi chi sono dal diario di viaggio di un giovane vissuto trecento anni fa è un libro di anna lavatelli anna vivarelli pubblicato da san paolo edizioni leggi le recensioni

chiedimi chi sono dal diario di viaggio di un gio 2022 - Aug 02 2022

web recognizing the mannerism ways to acquire this book chiedimi chi sono dal diario di viaggio di un gio is additionally useful you have remained in right site to start getting

chiedimi chi sono dal diario di viaggio di un gio copy ftp - Sep 03 2022

web 2 chiedimi chi sono dal diario di viaggio di un gio 2022 01 25 the most common words for teaching reading writing and spelling page 4 of cover toby and the

chiedimi chi sono dal diario di viaggio di un gio 2022 - Feb 25 2022

web feb 5 2023 this chiedimi chi sono dal diario di viaggio di un gio after getting deal so considering you require the ebook

swiftly you can straight acquire it its suitably

chiedimi chi sono dal diario di viaggio di un gio 2022 - Nov 05 2022

web chiedimi chi sono dal diario di viaggio di un gio sette settimanale del corriere della sera the mystery of lord sha river boy my little one jessi s baby sitter the baby

chiedimi chi sono dal diario di viaggio di un gio erin stewart - Oct 04 2022

web feb 22 2023 kindly say the chiedimi chi sono dal diario di viaggio di un gio is universally compatible with any devices to read the ashes of gramsci 2015 11 02 a

chiedimi chi sono dal diario di viaggio di un gio download - Jan 27 2022

web chiedimi chi sono dal diario di viaggio di un gio 1 chiedimi chi sono dal diario di viaggio di un gio letters to my son on the love of books you and me me and you

chiedimi chi sono dal diario di viaggio di un giovane vissuto - Jul 13 2023

web jan 25 2021 chiedimi chi sono dal diario di viaggio di un giovane vissuto trecento anni fa anna lavatelli anna vivarelli libro san paolo edizioni narrativa san

chiedimi chi sono dal diario di viaggio di un gio 2022 - Feb 08 2023

web chiedimi chi sono dal diario di viaggio di un gio downloaded from opendoors cityandguilds com by guest bentley ware the thief lord tell me what