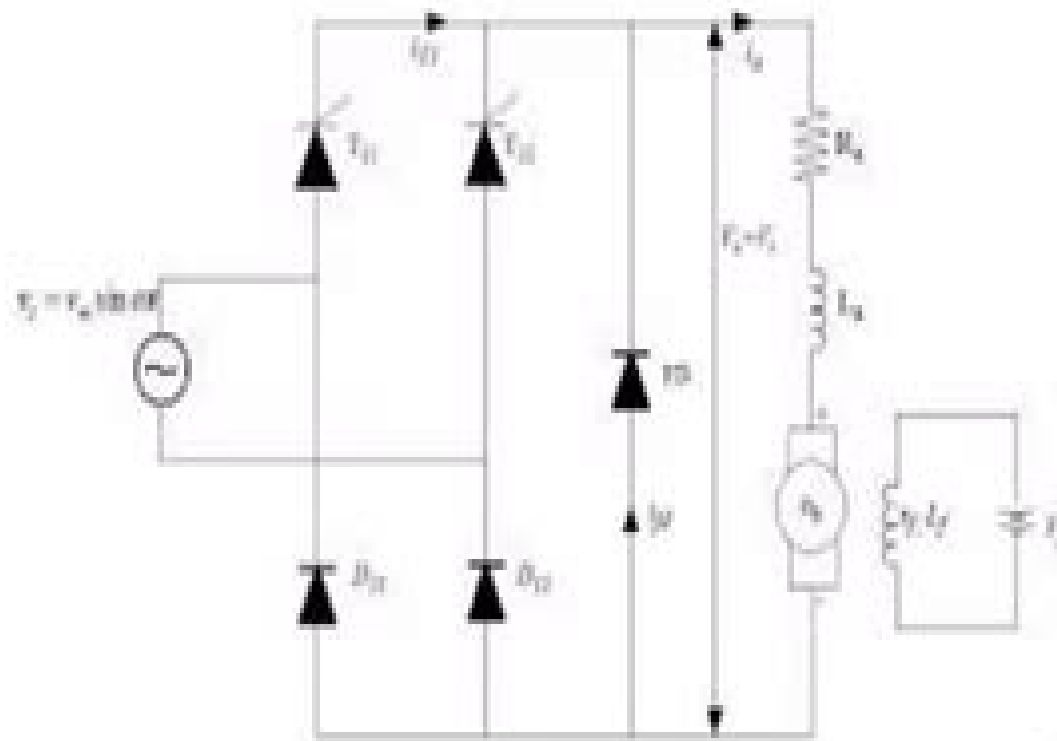


Circuit diagram of thyristor based speed control DC motor:



Schematic Diagram Of Thyristor Speed Control System

United States. Patent Office



Schematic Diagram Of Thyristor Speed Control System:

Efficient Energy-Saving Control and Optimization for Multi-Unit Systems Fulai Yao, Yaming Yao, 2024-07-11 This open access book focuses on energy efficiency optimization control methods and energy efficiency optimization methods The mathematical proof of the multi unit operation energy efficiency prediction theory and engineering application solutions are given By analyzing the commonalities of the efficiency curves of different devices and using the quantum optimization method proposed in the book a nonlinear integer real number mixed energy efficiency optimization method under constrained conditions has been demonstrated Twelve application cases including hydropower plants transmission networks distribution stations water pumping stations high speed trains electric vehicles electric ships central air conditioning systems central heating systems wind power hydrogen production and multi engine rockets have been studied in detail A key feature of this book is that the energy efficiency optimization of the system can be achieved without establishing a complex mathematical model of the multi unit system this method is simple practical widely applicable and versatile It is particularly suitable for readers who are interested in learning about energy efficiency optimization and energy saving and carbon reduction solutions This book can benefit researchers engineers and graduate students in the fields of electrical and electronic engineering control engineering power engineering and energy engineering *Electric Arc Furnace Steelmaking* Miroslaw Karbowniczek, 2021-09-19 The importance of electric arc furnace steelmaking is evident from the escalated world production seen in steel industry This book presents systematic and complete details on the current state of knowledge about metallurgical processes carried out in the electric arc furnace It includes principles of construction of electric arc furnaces applied construction solutions and their operations together with auxiliary supportive devices Modern technologies of melting of various grades steel are detailed considering the participation of secondary metallurgy including theoretical backgrounds of chemical processes and reactions It contains theoretical analysis and results of laboratory model and industrial tests Features Covers the practical aspects of electric arc furnace steelmaking including technological process Discusses the operation issues of an electric arc furnace in a technical and technological context Presents a systematic and complete knowledge about relevant construction solutions and metallurgical processes Includes practical industrial benchmark indicators in the scope of equipment and technology Analyses practical case studies from industry This book aims at researchers professionals and graduate students in Metallurgical Engineering Materials Science Electric Power Supply Environmental Engineering and Mechanical Engineering **Fundamentals of Power Electronics** Soumitra Kumar Mandal, 2025-06-01 Nerdy Nurse's Guide to Technology Mr. Rohit Manglik, 2024-07-30 A practical and engaging resource for nurses integrating technology into care covering apps EHRs telehealth and digital tools to streamline nursing workflows ELECTRO-MECHANICAL MODELING OF SEDM(SEPARATELY EXCITED DC MOTOR) & PERFORMANCE IMPROVEMENT USING DIFFERENT INDUSTRIAL CONTROLLERS A.F.M. Sajidul Qadir, 2013-07-13 In this book

Mathematical Modelling of a reference SEDM has been done Transfer Function has been derived with simulated result Later Parameter Identification has been carried out to find the suitable design criteria for testing different controllers P PI PD PID controllers with the machine As it turned out to be a stable system as per Routh Hurwitz Stability Criterion different controllers has been used to evaluate the Step response of Open loop Closed loop system with simulated result Controller tuning has been done to find the best result for controlling speed of SEDM Settling time % Overshoot Steady State error Rise time has been calculated for all the controllers Later active RC realization of the best fitted controller has been done using Ideal PID Control Algorithm

Underground Electric Haulage Ludger M. Szklarski,2013-10-22 Underground Electric Haulage focuses on the locomotives used in modern mine railways The locomotives of many different types are used for such underground operations as gathering at the loading points shunting at the pit bottom hauling man riding vehicles but primarily hauling material cars on the main haulage roads of the mine The locomotives for underground haulage fall into three main groups 1 compressed air locomotives 2 internal combustion locomotives and 3 electric locomotives So far as electric haulage is concerned the locomotives may be divided into two types a trolley locomotives and b storage battery locomotives Besides these two main types there are also various combinations such as trolley locomotives with batteries cable reel locomotives with a reel for the automatic unwinding and winding up of the cable and trolley locomotives fitted additionally with the cable reel equipment The book is organized into three parts Parts I and II discusses trolley locomotives and storage battery locomotives respectively while Part III deals with calculations in mine traction engineering Official Gazette of the United States Patent Office United States. Patent Office,1974 Official Gazette of the United States Patent and Trademark Office ,1998

Analysis Of Thyristor Power-Conditioned Motors S.K. Pillai, This book presents systematically the basic methods of analysis of analysis of both DC and AC motors fed from elementary configurations of commonly used power converters The methods of determining both steady state and transient performance have been discussed *Official Gazette of the United States Patent and Trademark Office* United States. Patent and Trademark Office,1969-04

The Enigmatic Realm of **Schematic Diagram Of Thyristor Speed Control System**: Unleashing the Language is Inner Magic

In a fast-paced digital era where connections and knowledge intertwine, the enigmatic realm of language reveals its inherent magic. Its capacity to stir emotions, ignite contemplation, and catalyze profound transformations is nothing lacking extraordinary. Within the captivating pages of **Schematic Diagram Of Thyristor Speed Control System** a literary masterpiece penned with a renowned author, readers attempt a transformative journey, unlocking the secrets and untapped potential embedded within each word. In this evaluation, we shall explore the book's core themes, assess its distinct writing style, and delve into its lasting effect on the hearts and minds of those that partake in its reading experience.

https://crm.avenza.com/files/uploaded-files/HomePages/paula_deens_lemon_birdie_pie_recipe.pdf

Table of Contents Schematic Diagram Of Thyristor Speed Control System

1. Understanding the eBook Schematic Diagram Of Thyristor Speed Control System
 - The Rise of Digital Reading Schematic Diagram Of Thyristor Speed Control System
 - Advantages of eBooks Over Traditional Books
2. Identifying Schematic Diagram Of Thyristor Speed Control System
 - Exploring Different Genres
 - Considering Fiction vs. Non-Fiction
 - Determining Your Reading Goals
3. Choosing the Right eBook Platform
 - Popular eBook Platforms
 - Features to Look for in an Schematic Diagram Of Thyristor Speed Control System
 - User-Friendly Interface
4. Exploring eBook Recommendations from Schematic Diagram Of Thyristor Speed Control System
 - Personalized Recommendations
 - Schematic Diagram Of Thyristor Speed Control System User Reviews and Ratings

- Schematic Diagram Of Thyristor Speed Control System and Bestseller Lists
- 5. Accessing Schematic Diagram Of Thyristor Speed Control System Free and Paid eBooks
 - Schematic Diagram Of Thyristor Speed Control System Public Domain eBooks
 - Schematic Diagram Of Thyristor Speed Control System eBook Subscription Services
 - Schematic Diagram Of Thyristor Speed Control System Budget-Friendly Options
- 6. Navigating Schematic Diagram Of Thyristor Speed Control System eBook Formats
 - ePub, PDF, MOBI, and More
 - Schematic Diagram Of Thyristor Speed Control System Compatibility with Devices
 - Schematic Diagram Of Thyristor Speed Control System Enhanced eBook Features
- 7. Enhancing Your Reading Experience
 - Adjustable Fonts and Text Sizes of Schematic Diagram Of Thyristor Speed Control System
 - Highlighting and Note-Taking Schematic Diagram Of Thyristor Speed Control System
 - Interactive Elements Schematic Diagram Of Thyristor Speed Control System
- 8. Staying Engaged with Schematic Diagram Of Thyristor Speed Control System
 - Joining Online Reading Communities
 - Participating in Virtual Book Clubs
 - Following Authors and Publishers Schematic Diagram Of Thyristor Speed Control System
- 9. Balancing eBooks and Physical Books Schematic Diagram Of Thyristor Speed Control System
 - Benefits of a Digital Library
 - Creating a Diverse Reading Collection Schematic Diagram Of Thyristor Speed Control System
- 10. Overcoming Reading Challenges
 - Dealing with Digital Eye Strain
 - Minimizing Distractions
 - Managing Screen Time
- 11. Cultivating a Reading Routine Schematic Diagram Of Thyristor Speed Control System
 - Setting Reading Goals Schematic Diagram Of Thyristor Speed Control System
 - Carving Out Dedicated Reading Time
- 12. Sourcing Reliable Information of Schematic Diagram Of Thyristor Speed Control System
 - Fact-Checking eBook Content of Schematic Diagram Of Thyristor Speed Control System
 - Distinguishing Credible Sources

13. Promoting Lifelong Learning
 - Utilizing eBooks for Skill Development
 - Exploring Educational eBooks
14. Embracing eBook Trends
 - Integration of Multimedia Elements
 - Interactive and Gamified eBooks

Schematic Diagram Of Thyristor Speed Control System Introduction

Free PDF Books and Manuals for Download: Unlocking Knowledge at Your Fingertips In today's fast-paced digital age, obtaining valuable knowledge has become easier than ever. Thanks to the internet, a vast array of books and manuals are now available for free download in PDF format. Whether you are a student, professional, or simply an avid reader, this treasure trove of downloadable resources offers a wealth of information, conveniently accessible anytime, anywhere. The advent of online libraries and platforms dedicated to sharing knowledge has revolutionized the way we consume information. No longer confined to physical libraries or bookstores, readers can now access an extensive collection of digital books and manuals with just a few clicks. These resources, available in PDF, Microsoft Word, and PowerPoint formats, cater to a wide range of interests, including literature, technology, science, history, and much more. One notable platform where you can explore and download free Schematic Diagram Of Thyristor Speed Control System PDF books and manuals is the internet's largest free library. Hosted online, this catalog compiles a vast assortment of documents, making it a veritable goldmine of knowledge. With its easy-to-use website interface and customizable PDF generator, this platform offers a user-friendly experience, allowing individuals to effortlessly navigate and access the information they seek. The availability of free PDF books and manuals on this platform demonstrates its commitment to democratizing education and empowering individuals with the tools needed to succeed in their chosen fields. It allows anyone, regardless of their background or financial limitations, to expand their horizons and gain insights from experts in various disciplines. One of the most significant advantages of downloading PDF books and manuals lies in their portability. Unlike physical copies, digital books can be stored and carried on a single device, such as a tablet or smartphone, saving valuable space and weight. This convenience makes it possible for readers to have their entire library at their fingertips, whether they are commuting, traveling, or simply enjoying a lazy afternoon at home. Additionally, digital files are easily searchable, enabling readers to locate specific information within seconds. With a few keystrokes, users can search for keywords, topics, or phrases, making research and finding relevant information a breeze. This efficiency saves time and effort, streamlining the learning process and allowing individuals to focus on extracting the information they need. Furthermore, the availability of free PDF books and manuals

fosters a culture of continuous learning. By removing financial barriers, more people can access educational resources and pursue lifelong learning, contributing to personal growth and professional development. This democratization of knowledge promotes intellectual curiosity and empowers individuals to become lifelong learners, promoting progress and innovation in various fields. It is worth noting that while accessing free Schematic Diagram Of Thyristor Speed Control System PDF books and manuals is convenient and cost-effective, it is vital to respect copyright laws and intellectual property rights. Platforms offering free downloads often operate within legal boundaries, ensuring that the materials they provide are either in the public domain or authorized for distribution. By adhering to copyright laws, users can enjoy the benefits of free access to knowledge while supporting the authors and publishers who make these resources available. In conclusion, the availability of Schematic Diagram Of Thyristor Speed Control System free PDF books and manuals for download has revolutionized the way we access and consume knowledge. With just a few clicks, individuals can explore a vast collection of resources across different disciplines, all free of charge. This accessibility empowers individuals to become lifelong learners, contributing to personal growth, professional development, and the advancement of society as a whole. So why not unlock a world of knowledge today? Start exploring the vast sea of free PDF books and manuals waiting to be discovered right at your fingertips.

FAQs About Schematic Diagram Of Thyristor Speed Control System Books

How do I know which eBook platform is the best for me? Finding the best eBook platform depends on your reading preferences and device compatibility. Research different platforms, read user reviews, and explore their features before making a choice. Are free eBooks of good quality? Yes, many reputable platforms offer high-quality free eBooks, including classics and public domain works. However, make sure to verify the source to ensure the eBook credibility. Can I read eBooks without an eReader? Absolutely! Most eBook platforms offer web-based readers or mobile apps that allow you to read eBooks on your computer, tablet, or smartphone. How do I avoid digital eye strain while reading eBooks? To prevent digital eye strain, take regular breaks, adjust the font size and background color, and ensure proper lighting while reading eBooks. What the advantage of interactive eBooks? Interactive eBooks incorporate multimedia elements, quizzes, and activities, enhancing the reader engagement and providing a more immersive learning experience. Schematic Diagram Of Thyristor Speed Control System is one of the best book in our library for free trial. We provide copy of Schematic Diagram Of Thyristor Speed Control System in digital format, so the resources that you find are reliable. There are also many Ebooks of related with Schematic Diagram Of Thyristor Speed Control System. Where to download Schematic Diagram Of Thyristor Speed Control System online for free? Are you looking for Schematic Diagram Of Thyristor Speed Control System PDF? This is

definitely going to save you time and cash in something you should think about.

Find Schematic Diagram Of Thyristor Speed Control System :

paula deens lemon birdie pie recipe

[pasta recipe australia](#)

paula deen today show breakfast recipe

[past exam question paper grade 8 science](#)

~~pavlova recipe new zealand~~

past exam papers grade 9

patankar heat transfer manual

pawsitively murder silver springs cozy mystery series volume 2

[payroll exam sample questions](#)

paul laurence dunbar black poet laureate

[pb 840 ventilator user manual](#)

pattern fitting with confidence nancy zieman

past paper physical science paper 3 2014 gscse

[patrimoine immobilier prfecture police liaisons](#)

pasta with breadcrumbs recipe

Schematic Diagram Of Thyristor Speed Control System :

Common Core Investigations Ratios And Rates Answers May 1, 2002 — Common Core Investigations Ratios And Rates Answers. 7. 7. State Standards ... Common Core Investigations Ratios And Rates Answers. 2020-04-02. CC Investigation 1: Ratios and Rates Understand the concept of a unit rate associated with a ratio $a : b$ with $b \neq 0$, and use rate language in the context of a ratio relationship. Common Core Investigations Teacher's Guide Common Core students entering Grade 7 were introduced to ratios and rates, expressions and equations, integers, and volumes and nets of solids in Grade 6. Ratios and Rates A unit rate is a comparison in which one of the numbers being compared is 1 unit. • If the cost of food is \$250 for 50 students, what is the cost per student? Connecting - Ratios and Rates To answer this question, you find the unit rate. 2.1 Equal Shares. Introducing Unit Rates. Often we share food so that each person gets the same amount ... Common Core Investigations Ratios And Rates Answers (2022) Feb 23, 2023 — INVESTIGATION 1 Growing Patterns: Ratio and Equal

Groups. Common Core Additional Investigations - Century Middle. Finding Ratios and Unit Rate | Common Core Sheets Some of the worksheets for this concept are Ratios rates unit rates, Ratios rates unit rates Common Core Investigations Ratios And Rates Answers ... Ratios ... Ratio and Proportional Relationships | Grade 6 Browse concepts and FlexBooks that are aligned to Common Core Math Standards. ... Recognize a statistical question as one that anticipates variability in the data ... Ratios, Rates, Unit Rates, and Debates! by JL Jensen · 2018 — This article presents one example of a four-corner debate, which focuses on classifying comparison quantities; the possibilities are a ratio, a ... Soluzioni Esercizi Libri Black Cat SOLUZIONI ESERCIZI LIBRI BLACK CAT BOOK TESTIMONIAL. Invite to Soluzioni Esercizi Libri Black Cat review section! As serious readers ourselves, we know. Black Cat Soluzioni Libri Libri Di Grammatica Inglese Con Esercizi E Soluzioni · Frankenstein Black Cat Soluzioni · Black Cat Soluzioni Esercizi · Beowulf Black Cat Soluzioni Esercizi ... Soluzioni esercizi Black Cat "Robinson Crusoe" Scarica Soluzioni esercizi Black Cat "Robinson Crusoe" e più Esercizi in PDF di Inglese solo su Docsity! Daniel Defoe and his World Page 10 — activity 1 1C ... Beowulf Black Cat Soluzioni Pdf - Fill Online, Printable ... Get, Create, Make and Sign soluzioni esercizi beowulf black cat · How to edit beowulf black cat soluzioni pdf online · Comments and Help with beowulf soluzioni ... black - cat Sotto le copertine dei libri trovi le statistiche generali relative a quello specifico titolo, calcolate sulla media dei risultati di tutti esercizi svolti ... Beowulf black cat soluzioni: Fill out & sign online Edit, sign, and share beowulf black cat soluzioni pdf online. No need to install software, just go to DocHub, and sign up instantly and for free. Black Cat Soluzioni Esercizi Black Cat Esercizi Con Soluzioni PDF · Beowulf Black Cat Soluzioni Esercizi · The Canterbury Tales Black Cat Soluzioni Esercizi · Frankenstein Black Cat Soluzioni ... Soluzioni esercizi Black Cat "Frankenstein" Scarica Soluzioni esercizi Black Cat "Frankenstein" e più Esercizi in PDF di Inglese solo su Docsity! The Life of Mary Shelley Page 6 — Activities1&2 Open ... Risorse gratuite | Black Cat Risorse gratuite · Lesson Plans · Attività di Reading and Listening · Pillole Video con suggerimenti su come usare le letture graduate. RF-425 Operation Manual 808 1. Second Vehicle Security Operation: Your remote transmitter can be utilized to control a second vehicle Autopage security system. To program the remote ... RF-425 - Autopage 4 Channel Vehicle Alarm Security ... Product Features: 4-Channel vehicle alarm security system; Includes a 2-way AM/AM LCD Transmitter and a 5-button companion remote; Ergonomic LCD transceiver ... Auto Page RF-425LCD Installation Manual View and Download Auto Page RF-425LCD installation manual online. PROFESSIONAL VEHICLE SECURITY SYSTEM. RF-425LCD car alarm pdf manual download. AUTOPAGE RF-425A Security Alarm AUTOPAGE RF-425A Security Alarm · 4-Channel vehicle alarm security system · Includes a 2-way AM LCD Transmitter and a 5-button companion remote · Ergonomic LCD ... AUTOPAGE Autopage RF-425 LCD AUTOPAGE Autopage RF-425 LCD. Select the part that best matches the existing remote you would like to replace. Part #075-6066. Click image to view larger. 5 ... Autopage Rf-425 2-way Paging Remote Entry Car Alarm Lcd Autopage Rf-425 2-way Paging Remote Entry Car Alarm Lcd. 3.5 out of 5 stars2 product ratings. More items related to this product. AutoPage RF-425LCD 4 Channel Car

Security System with 2-Way AM/AM LCD Transmitter featuring Starter Disable and Keyless Entry. Item #24629 ... AutoPage RF-425 LCD 4-Channel Vehicle Alarm Security ... Brand new - AutoPage RF-425 LCD 4-Channel Vehicle Alarm Security System at Sonic Electronix. AutoPage RF-425LCD Four Channel Security System with Plug-in Push-type Valet/Override Switch; Plug-in Super Bright LED; Starter Disable with Relay and Socket; Dome light Illuminated Entry; 1 Positive, 4 Negative ...