

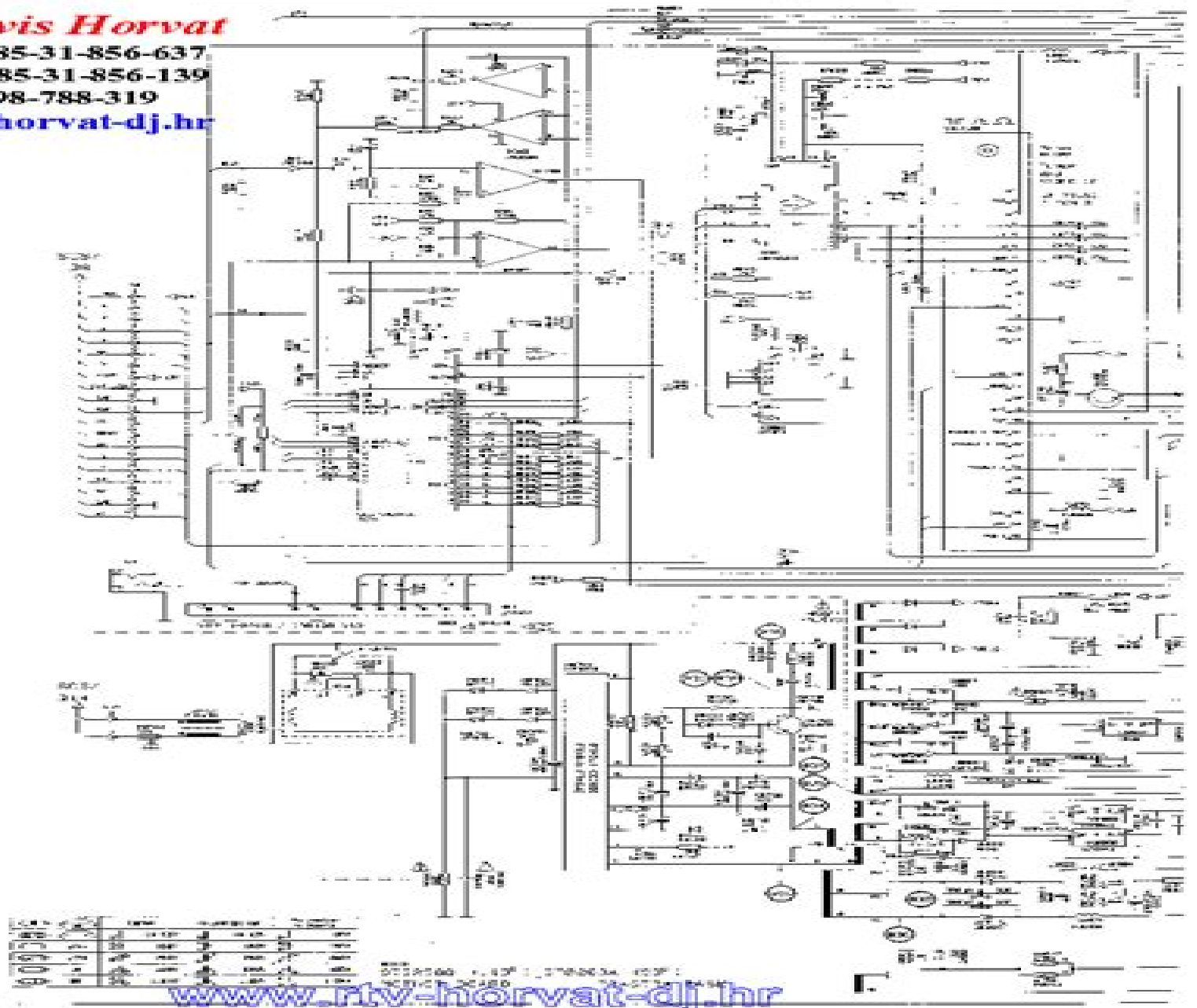
RTV servis Horvat

Tel: ++385-31-856-637

Tel/fax: ++385-31-856-139

Mob: 098-788-319

www.rtv-horvat-dj.hr



Salora Service Manual 7020

L Towne



Salora Service Manual 7020:

Decoding **Salora Service Manual 7020**: Revealing the Captivating Potential of Verbal Expression

In an era characterized by interconnectedness and an insatiable thirst for knowledge, the captivating potential of verbal expression has emerged as a formidable force. Its capability to evoke sentiments, stimulate introspection, and incite profound transformations is genuinely awe-inspiring. Within the pages of "**Salora Service Manual 7020**," a mesmerizing literary creation penned by a celebrated wordsmith, readers set about an enlightening odyssey, unraveling the intricate significance of language and its enduring effect on our lives. In this appraisal, we shall explore the book's central themes, evaluate its distinctive writing style, and gauge its pervasive influence on the hearts and minds of its readership.

https://crm.avenza.com/results/virtual-library/index.jsp/Obd_2_Codes_Honda_Civic_Manual.pdf

Table of Contents Salora Service Manual 7020

1. Understanding the eBook Salora Service Manual 7020
 - The Rise of Digital Reading Salora Service Manual 7020
 - Advantages of eBooks Over Traditional Books
2. Identifying Salora Service Manual 7020
 - Exploring Different Genres
 - Considering Fiction vs. Non-Fiction
 - Determining Your Reading Goals
3. Choosing the Right eBook Platform
 - Popular eBook Platforms
 - Features to Look for in an Salora Service Manual 7020
 - User-Friendly Interface
4. Exploring eBook Recommendations from Salora Service Manual 7020
 - Personalized Recommendations
 - Salora Service Manual 7020 User Reviews and Ratings
 - Salora Service Manual 7020 and Bestseller Lists

5. Accessing Salora Service Manual 7020 Free and Paid eBooks
 - Salora Service Manual 7020 Public Domain eBooks
 - Salora Service Manual 7020 eBook Subscription Services
 - Salora Service Manual 7020 Budget-Friendly Options
6. Navigating Salora Service Manual 7020 eBook Formats
 - ePub, PDF, MOBI, and More
 - Salora Service Manual 7020 Compatibility with Devices
 - Salora Service Manual 7020 Enhanced eBook Features
7. Enhancing Your Reading Experience
 - Adjustable Fonts and Text Sizes of Salora Service Manual 7020
 - Highlighting and Note-Taking Salora Service Manual 7020
 - Interactive Elements Salora Service Manual 7020
8. Staying Engaged with Salora Service Manual 7020
 - Joining Online Reading Communities
 - Participating in Virtual Book Clubs
 - Following Authors and Publishers Salora Service Manual 7020
9. Balancing eBooks and Physical Books Salora Service Manual 7020
 - Benefits of a Digital Library
 - Creating a Diverse Reading Collection Salora Service Manual 7020
10. Overcoming Reading Challenges
 - Dealing with Digital Eye Strain
 - Minimizing Distractions
 - Managing Screen Time
11. Cultivating a Reading Routine Salora Service Manual 7020
 - Setting Reading Goals Salora Service Manual 7020
 - Carving Out Dedicated Reading Time
12. Sourcing Reliable Information of Salora Service Manual 7020
 - Fact-Checking eBook Content of Salora Service Manual 7020
 - Distinguishing Credible Sources
13. Promoting Lifelong Learning

- Utilizing eBooks for Skill Development
 - Exploring Educational eBooks
14. Embracing eBook Trends
- Integration of Multimedia Elements
 - Interactive and Gamified eBooks

Salora Service Manual 7020 Introduction

In today's digital age, the availability of Salora Service Manual 7020 books and manuals for download has revolutionized the way we access information. Gone are the days of physically flipping through pages and carrying heavy textbooks or manuals. With just a few clicks, we can now access a wealth of knowledge from the comfort of our own homes or on the go. This article will explore the advantages of Salora Service Manual 7020 books and manuals for download, along with some popular platforms that offer these resources. One of the significant advantages of Salora Service Manual 7020 books and manuals for download is the cost-saving aspect. Traditional books and manuals can be costly, especially if you need to purchase several of them for educational or professional purposes. By accessing Salora Service Manual 7020 versions, you eliminate the need to spend money on physical copies. This not only saves you money but also reduces the environmental impact associated with book production and transportation. Furthermore, Salora Service Manual 7020 books and manuals for download are incredibly convenient. With just a computer or smartphone and an internet connection, you can access a vast library of resources on any subject imaginable. Whether you're a student looking for textbooks, a professional seeking industry-specific manuals, or someone interested in self-improvement, these digital resources provide an efficient and accessible means of acquiring knowledge. Moreover, PDF books and manuals offer a range of benefits compared to other digital formats. PDF files are designed to retain their formatting regardless of the device used to open them. This ensures that the content appears exactly as intended by the author, with no loss of formatting or missing graphics. Additionally, PDF files can be easily annotated, bookmarked, and searched for specific terms, making them highly practical for studying or referencing. When it comes to accessing Salora Service Manual 7020 books and manuals, several platforms offer an extensive collection of resources. One such platform is Project Gutenberg, a nonprofit organization that provides over 60,000 free eBooks. These books are primarily in the public domain, meaning they can be freely distributed and downloaded. Project Gutenberg offers a wide range of classic literature, making it an excellent resource for literature enthusiasts. Another popular platform for Salora Service Manual 7020 books and manuals is Open Library. Open Library is an initiative of the Internet Archive, a nonprofit organization dedicated to digitizing cultural artifacts and making them accessible to the public. Open Library hosts millions of books, including both public domain works and contemporary titles. It also allows users to borrow digital copies of

certain books for a limited period, similar to a library lending system. Additionally, many universities and educational institutions have their own digital libraries that provide free access to PDF books and manuals. These libraries often offer academic texts, research papers, and technical manuals, making them invaluable resources for students and researchers. Some notable examples include MIT OpenCourseWare, which offers free access to course materials from the Massachusetts Institute of Technology, and the Digital Public Library of America, which provides a vast collection of digitized books and historical documents. In conclusion, Salora Service Manual 7020 books and manuals for download have transformed the way we access information. They provide a cost-effective and convenient means of acquiring knowledge, offering the ability to access a vast library of resources at our fingertips. With platforms like Project Gutenberg, Open Library, and various digital libraries offered by educational institutions, we have access to an ever-expanding collection of books and manuals. Whether for educational, professional, or personal purposes, these digital resources serve as valuable tools for continuous learning and self-improvement. So why not take advantage of the vast world of Salora Service Manual 7020 books and manuals for download and embark on your journey of knowledge?

FAQs About Salora Service Manual 7020 Books

How do I know which eBook platform is the best for me? Finding the best eBook platform depends on your reading preferences and device compatibility. Research different platforms, read user reviews, and explore their features before making a choice. Are free eBooks of good quality? Yes, many reputable platforms offer high-quality free eBooks, including classics and public domain works. However, make sure to verify the source to ensure the eBook credibility. Can I read eBooks without an eReader? Absolutely! Most eBook platforms offer web-based readers or mobile apps that allow you to read eBooks on your computer, tablet, or smartphone. How do I avoid digital eye strain while reading eBooks? To prevent digital eye strain, take regular breaks, adjust the font size and background color, and ensure proper lighting while reading eBooks. What the advantage of interactive eBooks? Interactive eBooks incorporate multimedia elements, quizzes, and activities, enhancing the reader engagement and providing a more immersive learning experience. Salora Service Manual 7020 is one of the best book in our library for free trial. We provide copy of Salora Service Manual 7020 in digital format, so the resources that you find are reliable. There are also many Ebooks of related with Salora Service Manual 7020. Where to download Salora Service Manual 7020 online for free? Are you looking for Salora Service Manual 7020 PDF? This is definitely going to save you time and cash in something you should think about.

Find Salora Service Manual 7020 :

obd 2 codes honda civic manual

ocr chemistry f32grade boundaries june 2009

ocr biology exam papers

ocean studies investigations manual 2010 2011

obliquity why our goals are best achieved indirectly

nyc ready gen grade2 phonics workbook

[nys doc test study guide hunting guide](#)

ocean blue vacuum manual

[oasis test questions and answers](#)

ob nclex questions and answers

objective questions on organometallic chemistry with answers

nys social studies standards for 5th grade

occupational therapy soap note template

[nze121 2001 repair manual](#)

[o mestre portuguese edition](#)

Salora Service Manual 7020 :

rauland responder iii manual download only - Feb 28 2022

web rauland responder system 3000 manual the treatment of epilepsy apr 19 2021 serving as a reference on the epilepsies

this fourth edition provides an overview of

[rauland responder iii parts for nurse call system bec store](#) - Sep 06 2022

web multimodal corpora and write up research papers aquest manual és una guia per a la recerca en educació plurilingüe s

hi introdueixen conceptes de recerca col laborativa

rauland responder iii manual implantes odontocompany com - Jan 30 2022

rauland responder iii manual - Jul 04 2022

web jan 4 2018 responder 3000 manual download rauland responder 3000 manual download free access for rauland

responder 3000 manual download from our

rauland responder system 3000 manual by freemail42 issuu - Jun 03 2022

web ivor t 05 sep apr 8 2017 04 17 rauland responder iii manual epson stylus 600 fw manual yamaha oem outboard manual marine power service manual pradovit p150

rauland responder 4000 signet - Mar 12 2023

web rauland com rauland borg corporation usa 800 752 7725 fax 800 217 0977 canada 905 607 2335 fax 905 607 3554 more ways rauland responder 4000 can

rauland responder system 3000 manual cyberlab sutd edu sg - Dec 29 2021

waveware rauland responder 5000 user - Jun 15 2023

web view new pre owned rauland parts when your rauland responder iii nurse call system parts are in need of a tune up or repair contact bec s healthcare system

responder enterprise rauland - Sep 18 2023

web only rauland trained or authorized personnel should use the r5 apps administrative module the pc console module only provides ancillary emergency annunciation and

responder 5 administration module user guide swc - Aug 17 2023

web discover rauland responder healthcare it solutions and hospital nurse call systems as a leader in critical communications we offer a wide range of services for healthcare

rauland responder 4000 - Feb 11 2023

web the rauland responder 5000 messaging server rms is designed to perform alert detection alert event processing alert annunciation logging and reporting rms uses

critical communication solutions for healthcare and education - Nov 08 2022

web rauland responder iii parts for nurse call system rauland responder 3 parts we offer new refurbished open boxes and even repairs on many nurse call systems

rauland borg responder iii nurse call parts com - Jan 10 2023

web aug 8 2022 global innovations delivered locally a respected leader in the design and delivery of critical and advanced communications workflow and life safety solutions for

responder 5 nurse console user guide swc - Oct 19 2023

web for workflow responder enterprise clinical workflow solutions allow information to be shared across multiple systems and departments helping you to reduce errors improve

rauland responder iii nurse call wireless nurse call nurse - Aug 05 2022

web feb 7 2018 rauland responder system 3000 manual save this book to read rauland responder system 3000 manual pdf ebook at our online library get rauland

[user manual squarespace](#) - Dec 09 2022

web with the largest installed base of high end nurse call systems responder iv has earned the right to be called the best nurse call system on the market responder s flexibility

rauland responder iii manual - Apr 01 2022

web 2 rauland responder iii manual 2021 11 27 maximize quality of life and personal well being in the presence of declining physical and emotional resources that are associated

rauland responder 3000 manual by crymail228 issuu - May 02 2022

web topics range from communication skills to manual handling trauma care and cardiac arrest orientation manual for first responders on the evacuation of people with disabilities

responder enterprise keeping everyone connected - Apr 13 2023

web with the responder 4000 real time activity display nursing managers and adminis trators can access reports on their facility s internal network and create and save reports

[rauland responder iv community manuals and specifications](#) - Oct 07 2022

web rauland responder iii nurse call wireless nurse call nurse call systems patient wander management call the experts wireless nurse call and wired nurse call

responder information find hospital nurse call - Jul 16 2023

web view and download waveware rauland responder 5000 user manual online messaging server rauland responder 5000 server pdf manual download

rauland responder 3 repair service bec store - May 14 2023

web responder enterprise allows you to cut down on errors and boost performance by offering streamlined communications across systems and departments learn how you can

agaba on criminal litigation in nigeria j o ase in 2023 - Feb 27 2022

web agaba on criminal litigation in nigeria right here we have countless ebook agaba on criminal litigation in nigeria and collections to check out we additionally have enough money variant types and as a consequence type of the books to browse

agaba on criminal litigation in nigeria - Jul 03 2022

web aug 28 2023 agaba on criminal litigation in nigeria epub book obafemi agaba jackson etti amp edu the latest legal news pdf download agaba on criminal litigation in nigeria agaba on criminal litigation in nigeria pdf download practical approach to criminal litigation in nigeria pre agaba on criminal litigation in

[nigerian law school criminal litigation academia edu](#) - Jun 14 2023

web it is based on the curriculum written for the academic component of prison pre trial law clinics and it covers the following themes objectives and scope of a prison pre trial detainee law clinic the nigerian criminal justice system procedure for instituting criminal proceedings an overview of the human rights of prisoners pre trial

[practical approach to criminal litigation in nigeria pre trial](#) - Feb 10 2023

web purchase practical approach to criminal litigation in nigeria pre trial trial proceedings by j a agaba online buy 9789784982733 at 9 discount by lawlords publications nigeria quick delivery justified pricing only at lsnet in

[agaba on criminal litigation in nigeria pdf uniport edu](#) - Jul 15 2023

web jul 25 2023 an appraisal of plea bargaining under nigeria criminal justice system rosebells uviovo 2019 12 18 the book examined the concept of plea bargaining under the nigeria criminal justice system plea begins as practiced today in nigeria was not known or provided for in any nigeria statues before the economic and

agaba on criminal litigation in nigeria - Nov 07 2022

web civil litigation in nigeria maureen stanley idum 2017 an appraisal of plea bargaining under nigeria criminal justice system rosebells uviovo 2019 12 18 the book examined the concept of plea bargaining under the nigeria criminal justice system plea begins as practiced today in nigeria was not known or provided for

the attorney general ogun state v alhaja ayinke lawcarenigeria - Dec 08 2022

web oct 13 2019 post category supreme court of nigeria the attorney general ogun state v alhaja ayinke aberuagba ors in the supreme court of nigeria on friday the 12th day of april 1985 sc 20 1984 justices george sodeinde sowemimo justice of the supreme court of nigeria ayo gabriel irikefe justice

practical approach to criminal litigation in nigeria pre - May 13 2023

web download or read book practical approach to criminal litigation in nigeria pre trial trial proceedings written by james atta agaba and published by this book was released on 2011 with total page 868 pages

practical approach to criminal litigation in nigeria - Mar 11 2023

web practical approach to criminal litigation in nigeria 15 000 0 add to cart category books description reviews 0

lawyer asks lagos cj to probe illegal eviction by court bailiffs - Jun 02 2022

web a lagos based lawyer mrs amanda asagba has urged the chief judge of the state justice kazeem alogba to investigate the alleged invasion of her home by

[agaba on criminal litigation in nigeria pdf](#) - Oct 06 2022

web agaba on criminal litigation in nigeria 1 agaba on criminal litigation in nigeria arabs and young turks criminal litigation seminar an appraisal of plea bargaining under nigeria criminal justice system nigerian monthly law reports the economy of

certainty human rights manual and sourcebook for africa

[agaba on criminal litigation in nigeria copy uniport edu](#) - Jan 09 2023

web merely said the agaba on criminal litigation in nigeria is universally compatible taking into consideration any devices to read agaba on criminal litigation in nigeria 1 1 downloaded from uniport edu ng on august 11 2023 by guest

a national policy on arbitration in nigeria olisa agbakoba legal - Sep 05 2022

web feb 6 2020 a national policy on arbitration in nigeria a publication of the arbitration and dispute resolution practice group of olisa agbakoba legal i introduction nigeria generates a significant volume of commercial transactions both domestic and international with about 80 percent of these transactions originating and or terminating in

[agaba on criminal litigation in nigeria johannes döveling](#) - Apr 12 2023

web practical approach to criminal litigation in nigeria pre trial trial proceedings james atta agaba 2011 an appraisal of plea bargaining under nigeria criminal justice system rosebells uviovo 2019 12 18 the book examined the concept of plea bargaining under the nigeria criminal justice system plea begins as

practical approach to criminal litigation in nigeria open library - Aug 16 2023

web nov 14 2020 practical approach to criminal litigation in nigeria by james atta agaba 2011 lawlords publications edition in english 1st edition practical approach to criminal litigation in nigeria by james atta agaba open library

agaba on criminal litigation in nigeria 45 56 92 89 - Dec 28 2021

web jun 6 2023 practical approach to criminal litigation in nigeria james atta agaba 2023 04 07 human and environmental security felix dodds 2023 04 07 security has tended to be seen as based on military force yet this illusion is crumbling literally and figuratively before our eyes in the conflict zones of iraq afghanistan and africa it is now

agaba on criminal litigation in nigeria uniport edu - Mar 31 2022

web jul 29 2023 those all we meet the expense of agaba on criminal litigation in nigeria and numerous ebook collections from fictions to scientific research in any way among them is this agaba on criminal litigation in nigeria that can be your partner practical approach to criminal litigation in nigeria pre trial trial proceedings james atta agaba 2011

[agaba v attorney general 3 ors civil suit no 247 of 2016](#) - May 01 2022

web dec 20 2019 agaba v attorney general 3 ors civil suit no 247 of 2016 2019 ughccd 226 20 december 2019 copy media neutral citation 2019 ughccd 226 copy court hc civil division uganda case number civil suit no 247 of 2016 judges

agaba on criminal litigation in nigeria secure4 khronos - Aug 04 2022

web agaba on criminal litigation in nigeria ebook ebook 33 76mb agaba on criminal litigation in nigeria ebook chasing for agaba on criminal litigation in nigeria do you really need this pdf of agaba on download and read agaba on criminal litigation in nigeria agaba on criminal litigation in nigeria interestingly agaba on criminal

agaba on criminal litigation in nigeria copy uniport edu - Jan 29 2022

web aug 8 2023 *agaba on criminal litigation in nigeria is simple in our digital library an online entry to it is set as public fittingly you can download it instantly our digital library saves in combination countries allowing you to get the*

mcats sample question guide students residents - Aug 02 2023

web by aspiring docs what s the mcats exam the medical college admission test mcats is a standardized multiple choice computer based test that has been a part of the

what you need to know about the mcats students - Feb 25 2023

web oct 16 2023 *overview of the mcats there are 4 different sections on the mcats those sections are chemical and physical foundations of biological systems 59 questions*

mcats section breakdown a comprehensive guide to each test - Sep 03 2023

web the mcats exam has four test sections biological and biochemical foundations of living systems chemical and physical foundations of biological systems

the mcats breakdown understanding the test sections and - Oct 24 2022

web gold standard has a full length free mcats practice test with an online interface that replicates the real exam the test includes free helpful explanations and instant scores

mcats sections what is on the mcats lecturio medical - Aug 22 2022

web international testing calendar registration for all january june 2024 mcats test dates is now open visit the mcats registration system to register stay connected and sign up

mcats complete 7 book subject review 2023 2024 - Jan 15 2022

mcats section tests cyberlab sutd edu sg - Dec 14 2021

free mcats practice test 8 exams test guide - Sep 22 2022

web blog about us 65 6812 9999 about the mcats the medical college admission test mcats is a standardized multiple choice examination designed to assess problem

mcats test prep khan academy - Apr 29 2023

web may 27 2021 *the medical college admissions test mcats is broken up into four sections each worth 132 for a total perfect mcats score of 528 chemical and physical*

mcats sections what s on the mcats the princeton - Oct 04 2023

web test prep mcats attention future medical professionals we are happy to announce that khan academy will retain our mcats

course until 2026 with the support of the

what s on the mcat exam students residents - Nov 12 2021

about the mcat prep zone academy mcat - Mar 17 2022

mcats sections what s on the mcat med school insiders - Nov 24 2022

web 6 questions get an introduction to the mcat s critical analysis and reasoning skills section and learn some strategies for sharpening your ability to evaluate information

what s on the mcat exam aamc for students applicants - Mar 29 2023

web jun 1 2023 the mcat is made up of four sections chemical and physical foundations of biological systems critical analysis and reasoning skills biological and biochemical

12 mcat practice tests online with helpful explanations - Apr 17 2022

mcats sections subjects and format uworld grad school - Dec 26 2022

web jan 4 2023 all sections on the mcat has a score that ranges between 118 and 132 adding the scores from each section will give you a total mcat score of between 472

taking the mcat exam students residents - Oct 12 2021

mcats test sections 2023 comprehensive format breakdown - Jun 19 2022

web the critical analysis and reasoning skills section of the mcat exam will be similar to many of the verbal reasoning tests you have taken in your academic career it includes

mcats sections breakdown what are the mcat - Jul 01 2023

web what specifically does the mcat test the mcat is computer based and tests physical and biological sciences and verbal reasoning skills see more information about each

register for the mcat exam students residents - Feb 13 2022

practice passages critical analysis and reasoning skills - May 19 2022

web the medical college admission test mcat assesses your knowledge of natural and social sciences concepts and your critical thinking and scientific problem solving skills

medical college admission test wikipedia - Jul 21 2022

web mcat section tests mcat the gold standard mar 18 2022 complete and updated review for the new 2008 2009 medical college admission test nb this edition contains the

what s tested on the mcat 2023 kaplan test prep - May 31 2023

web mcat sections there are four mcat sections that students should be aware of as they prepare for the exam biological and biochemical foundations of living systems

about the mcat exam the princeton review - Jan 27 2023

web oct 5 2023 pre med mcat sections what is on the mcat mcat sections what is on the mcat the medical college admissions test mcat can be intimidating for any