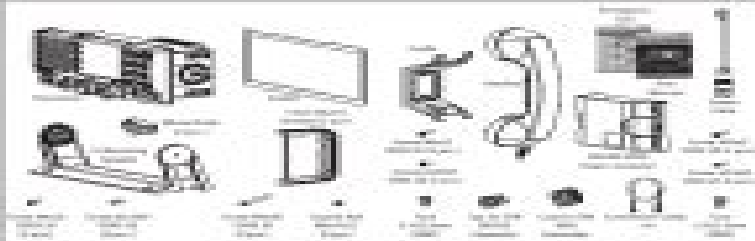


SAILOR 6222 VHF DSC

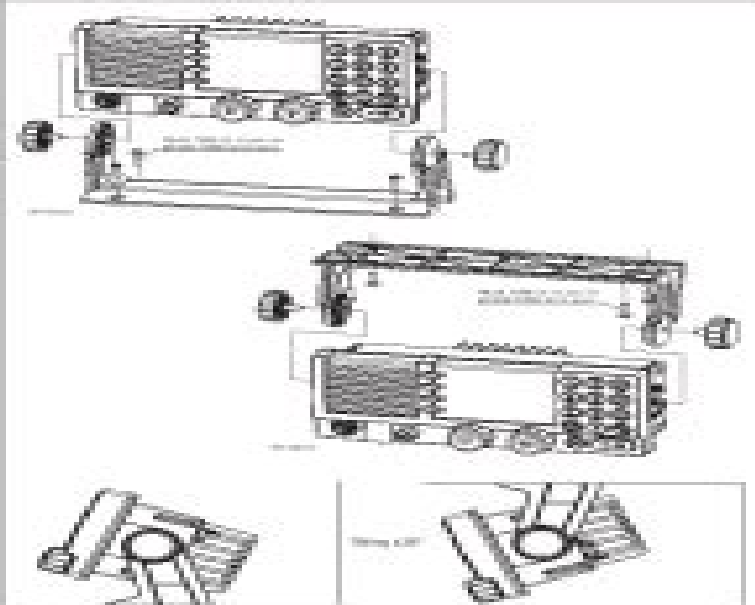
What's in the box?



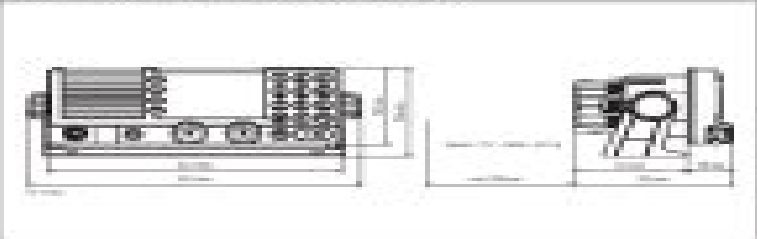
What do I need to fit it?



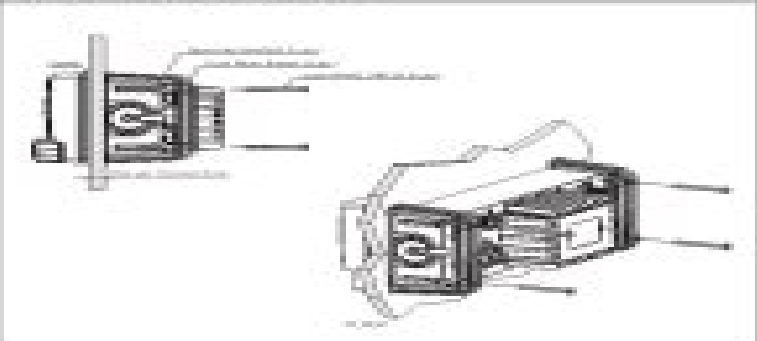
How to install the VHF on desktop and overhead



Dimensions for the SAILOR 6222 VHF DSC



How to install the VHF flush mount

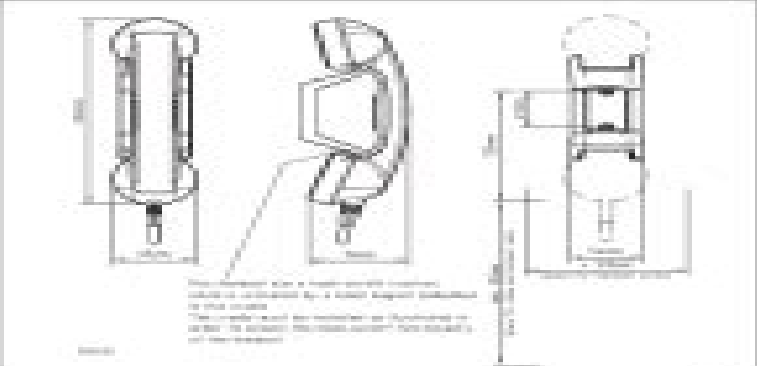


Very important information!

Do not remove the membrane.
If you remove the membrane the radio will not be waterproof.



How to install the handset



Handset holder is not waterproof.
Handset holder is a non-IP67 product.
It is not suitable for use in wet or humid environments.
It is not suitable for use in high salt environments.

Sailor 6222 Operation Manual

Yi-Tong Ma



Sailor 6222 Operation Manual:

Philippine Standard Occupational Classification ,1992 **Paperbound Books in Print** ,1982 Ulrich's
International Periodicals Directory Carolyn Farquhar Ulrich,1999 Contains essential bibliographic and access information on
serials published throughout the world *Bibliography of Nautical Books* Alan Obin,2000-02 This is the 15th annual edition
of the Bibliography of Nautical Books a reference guide to over 14 000 nautical publications It deals specifically with the year
2000 **University of California Union Catalog of Monographs Cataloged by the Nine Campuses from 1963**
Through 1967: Authors & titles University of California (System). Institute of Library Research,University of California,
Berkeley,1972 **HYRAIN operation manual** J R. Meigh,Société nationale d'électricité du Cameroun,1991 **Operator's**
Manual United States. Department of the Army,United States. Navy Department,1993 Operator's Manual ,1988 *The*
Riley Two-Point-Six operation manual Riley Motors Limited,1957 Operation Manual Cessna Aircraft Company,1950

Enjoying the Beat of Appearance: An Emotional Symphony within **Sailor 6222 Operation Manual**

In some sort of taken by displays and the ceaseless chatter of quick interaction, the melodic elegance and mental symphony developed by the published term often diminish into the backdrop, eclipsed by the persistent noise and distractions that permeate our lives. However, nestled within the pages of **Sailor 6222 Operation Manual** an enchanting fictional prize filled with fresh emotions, lies an immersive symphony waiting to be embraced. Constructed by an outstanding musician of language, this interesting masterpiece conducts viewers on an emotional journey, skillfully unraveling the hidden melodies and profound influence resonating within each carefully crafted phrase. Within the depths with this touching review, we will investigate the book is central harmonies, analyze their enthralling publishing type, and submit ourselves to the profound resonance that echoes in the depths of readers souls.

https://crm.avenza.com/results/uploaded-files/HomePages/Oct_Nov2013_9709_12_Mark_Scheme.pdf

Table of Contents Sailor 6222 Operation Manual

1. Understanding the eBook Sailor 6222 Operation Manual
 - The Rise of Digital Reading Sailor 6222 Operation Manual
 - Advantages of eBooks Over Traditional Books
2. Identifying Sailor 6222 Operation Manual
 - Exploring Different Genres
 - Considering Fiction vs. Non-Fiction
 - Determining Your Reading Goals
3. Choosing the Right eBook Platform
 - Popular eBook Platforms
 - Features to Look for in an Sailor 6222 Operation Manual
 - User-Friendly Interface
4. Exploring eBook Recommendations from Sailor 6222 Operation Manual
 - Personalized Recommendations

- Sailor 6222 Operation Manual User Reviews and Ratings
- Sailor 6222 Operation Manual and Bestseller Lists
- 5. Accessing Sailor 6222 Operation Manual Free and Paid eBooks
 - Sailor 6222 Operation Manual Public Domain eBooks
 - Sailor 6222 Operation Manual eBook Subscription Services
 - Sailor 6222 Operation Manual Budget-Friendly Options
- 6. Navigating Sailor 6222 Operation Manual eBook Formats
 - ePub, PDF, MOBI, and More
 - Sailor 6222 Operation Manual Compatibility with Devices
 - Sailor 6222 Operation Manual Enhanced eBook Features
- 7. Enhancing Your Reading Experience
 - Adjustable Fonts and Text Sizes of Sailor 6222 Operation Manual
 - Highlighting and Note-Taking Sailor 6222 Operation Manual
 - Interactive Elements Sailor 6222 Operation Manual
- 8. Staying Engaged with Sailor 6222 Operation Manual
 - Joining Online Reading Communities
 - Participating in Virtual Book Clubs
 - Following Authors and Publishers Sailor 6222 Operation Manual
- 9. Balancing eBooks and Physical Books Sailor 6222 Operation Manual
 - Benefits of a Digital Library
 - Creating a Diverse Reading Collection Sailor 6222 Operation Manual
- 10. Overcoming Reading Challenges
 - Dealing with Digital Eye Strain
 - Minimizing Distractions
 - Managing Screen Time
- 11. Cultivating a Reading Routine Sailor 6222 Operation Manual
 - Setting Reading Goals Sailor 6222 Operation Manual
 - Carving Out Dedicated Reading Time
- 12. Sourcing Reliable Information of Sailor 6222 Operation Manual
 - Fact-Checking eBook Content of Sailor 6222 Operation Manual

- Distinguishing Credible Sources
13. Promoting Lifelong Learning
- Utilizing eBooks for Skill Development
 - Exploring Educational eBooks
14. Embracing eBook Trends
- Integration of Multimedia Elements
 - Interactive and Gamified eBooks

Sailor 6222 Operation Manual Introduction

In the digital age, access to information has become easier than ever before. The ability to download Sailor 6222 Operation Manual has revolutionized the way we consume written content. Whether you are a student looking for course material, an avid reader searching for your next favorite book, or a professional seeking research papers, the option to download Sailor 6222 Operation Manual has opened up a world of possibilities. Downloading Sailor 6222 Operation Manual provides numerous advantages over physical copies of books and documents. Firstly, it is incredibly convenient. Gone are the days of carrying around heavy textbooks or bulky folders filled with papers. With the click of a button, you can gain immediate access to valuable resources on any device. This convenience allows for efficient studying, researching, and reading on the go. Moreover, the cost-effective nature of downloading Sailor 6222 Operation Manual has democratized knowledge. Traditional books and academic journals can be expensive, making it difficult for individuals with limited financial resources to access information. By offering free PDF downloads, publishers and authors are enabling a wider audience to benefit from their work. This inclusivity promotes equal opportunities for learning and personal growth. There are numerous websites and platforms where individuals can download Sailor 6222 Operation Manual. These websites range from academic databases offering research papers and journals to online libraries with an expansive collection of books from various genres. Many authors and publishers also upload their work to specific websites, granting readers access to their content without any charge. These platforms not only provide access to existing literature but also serve as an excellent platform for undiscovered authors to share their work with the world. However, it is essential to be cautious while downloading Sailor 6222 Operation Manual. Some websites may offer pirated or illegally obtained copies of copyrighted material. Engaging in such activities not only violates copyright laws but also undermines the efforts of authors, publishers, and researchers. To ensure ethical downloading, it is advisable to utilize reputable websites that prioritize the legal distribution of content. When downloading Sailor 6222 Operation Manual, users should also consider the potential security risks associated with online platforms. Malicious actors may exploit vulnerabilities in unprotected websites to distribute malware or steal personal

information. To protect themselves, individuals should ensure their devices have reliable antivirus software installed and validate the legitimacy of the websites they are downloading from. In conclusion, the ability to download Sailor 6222 Operation Manual has transformed the way we access information. With the convenience, cost-effectiveness, and accessibility it offers, free PDF downloads have become a popular choice for students, researchers, and book lovers worldwide. However, it is crucial to engage in ethical downloading practices and prioritize personal security when utilizing online platforms. By doing so, individuals can make the most of the vast array of free PDF resources available and embark on a journey of continuous learning and intellectual growth.

FAQs About Sailor 6222 Operation Manual Books

How do I know which eBook platform is the best for me? Finding the best eBook platform depends on your reading preferences and device compatibility. Research different platforms, read user reviews, and explore their features before making a choice. Are free eBooks of good quality? Yes, many reputable platforms offer high-quality free eBooks, including classics and public domain works. However, make sure to verify the source to ensure the eBook credibility. Can I read eBooks without an eReader? Absolutely! Most eBook platforms offer webbased readers or mobile apps that allow you to read eBooks on your computer, tablet, or smartphone. How do I avoid digital eye strain while reading eBooks? To prevent digital eye strain, take regular breaks, adjust the font size and background color, and ensure proper lighting while reading eBooks. What the advantage of interactive eBooks? Interactive eBooks incorporate multimedia elements, quizzes, and activities, enhancing the reader engagement and providing a more immersive learning experience. Sailor 6222 Operation Manual is one of the best book in our library for free trial. We provide copy of Sailor 6222 Operation Manual in digital format, so the resources that you find are reliable. There are also many Ebooks of related with Sailor 6222 Operation Manual. Where to download Sailor 6222 Operation Manual online for free? Are you looking for Sailor 6222 Operation Manual PDF? This is definitely going to save you time and cash in something you should think about. If you trying to find then search around for online. Without a doubt there are numerous these available and many of them have the freedom. However without doubt you receive whatever you purchase. An alternate way to get ideas is always to check another Sailor 6222 Operation Manual. This method for see exactly what may be included and adopt these ideas to your book. This site will almost certainly help you save time and effort, money and stress. If you are looking for free books then you really should consider finding to assist you try this. Several of Sailor 6222 Operation Manual are for sale to free while some are payable. If you arent sure if the books you would like to download works with for usage along with your computer, it is possible to download free trials. The free guides make it easy for someone to free access online library for download books to your device. You can get free download on free

trial for lots of books categories. Our library is the biggest of these that have literally hundreds of thousands of different products categories represented. You will also see that there are specific sites catered to different product types or categories, brands or niches related with Sailor 6222 Operation Manual. So depending on what exactly you are searching, you will be able to choose e books to suit your own need. Need to access completely for Campbell Biology Seventh Edition book? Access Ebook without any digging. And by having access to our ebook online or by storing it on your computer, you have convenient answers with Sailor 6222 Operation Manual To get started finding Sailor 6222 Operation Manual, you are right to find our website which has a comprehensive collection of books online. Our library is the biggest of these that have literally hundreds of thousands of different products represented. You will also see that there are specific sites catered to different categories or niches related with Sailor 6222 Operation Manual So depending on what exactly you are searching, you will be able to choose ebook to suit your own need. Thank you for reading Sailor 6222 Operation Manual. Maybe you have knowledge that, people have search numerous times for their favorite readings like this Sailor 6222 Operation Manual, but end up in harmful downloads. Rather than reading a good book with a cup of coffee in the afternoon, instead they juggled with some harmful bugs inside their laptop. Sailor 6222 Operation Manual is available in our book collection an online access to it is set as public so you can download it instantly. Our digital library spans in multiple locations, allowing you to get the most less latency time to download any of our books like this one. Merely said, Sailor 6222 Operation Manual is universally compatible with any devices to read.

Find Sailor 6222 Operation Manual :

oct nov2013 9709 12 mark scheme

[oeuvres compleacutetes de paul verlaine vol with frenchenglish glossary](#)

[ocr maths 2013 february mark scheme](#)

ohio in the united states teacher manual

[officejet pro k8600 manual](#)

[ogt writing study guide](#)

ofpc rope rescue manual

of southern sensibilities english edition

[official dsa guide for pcv](#)

officejet pro l7590 service manual

office max pc repair

[oem service manual for peugeot 307](#)

**officine manual volvo penta
of mice and men theme essays**

ocr probability and statistics june 2013

Sailor 6222 Operation Manual :

ultralight sailplanes nest of dragons - Oct 06 2022

web guide for beginner pilots what can influence your choice money weather location single or group activity type of airplane types of aviation flight simulators remote control paraglider paramotor hanggliding flphg ultralight sailplanes sailplanes seaplanes ultralights ulm trikes ultralights far103 light sport aviation lsa ppl autogyro helicopter jet

brady butterfield s goat 4 glider kitplanes - Mar 11 2023

web oct 18 2013 this is a goat 4 glider utilizing yando wing modifications for the high altitudes of utah this aircraft is classified as an ultra light glider with the same faa regulations as a hang glider or paraglider the design and flying characteristics are similar to the primary gliders of the 1930s see cessna cg 2

unpowered ultralights gliders sailplanes eaa - Jul 03 2022

web there are a number of popular unpowered ultralights like gliders and sailplanes for those pilots looking for the joy and serenity of silent flight the bubble run by cool events which was scheduled to take place on the eaa airventure oshkosh grounds today saturday september 9 was canceled in january

motor glider view all our gliders with engines light - Feb 27 2022

web carat a by ams flight video stall 43 kts 49 mph 80 kph cruise 108 kts 124 mph 200 kph empty weight 717 lbs 325 kg mtow 1036 lbs 470 kg more information apis 2 by martin wezel flugzeugtechnik video stall 35 kts 40 mph 65 kph cruise 81 kts 93 mph 150 kph empty weight 450 lbs 204 kg mtow 661 lbs 300 kg

building an ultralight aircraft using construction plans - Jun 02 2022

web the affordaplane is one of the most popular ultralights available in form of construction plans each plan sold by this company has a registered serial number it contains around 49 cad drawings of the aircraft and each part is laid out in a large legal size paper in three views there are drawings which show the user how the parts of the plane

piuma homebuilt ultralight motor gliders from plans tiziano - Aug 16 2023

web piuma ultralight motor gliders the site shows the possibility of self building in a very economic way some ultralight single seater and two seaters wood and fabric motor gliders with the tail boom in aluminium alloy starting only from plans

ulf 1 foot launched sailplane glider homebuilt aircraft plans - May 13 2023

web the longest flight lasted six hours the maximum distance achieved is 140 km the ulf 1 is one of the best performing foot

launched aircraft to date as well as one of the safest designs available to the self builder

bluebird page basic ultralight glider - Sep 05 2022

web jul 29 2023 bluebird photo page bluebird technical drawings are free and downloadable using the links provided here 89 drawings in the same style as the bug goat bloop drawings one zip folder contains files in pdf format the second folder contains drawings in tcw file format tcw is native turbocad for cad applications the last two folders are

super floater part103 ultralight sailplane plans - Jul 15 2023

web the super floater is an ultralight sailplane that is designed for fun flying rather than competition and as such it has a glide ratio of just 15 1 it is very similar to the primary gliders of the 1930s in concept performance and appearance

5 ultralight aircrafts for beginners flying magazine - Jan 29 2022

web jun 7 2022 ultralight aircrafts can take many forms here s a look at some of the types of flying vehicles that can qualify lighter than air powered fixed wing powered parachutes gliders rotorcraft

ec goat ec air ultralight gliders - Apr 12 2023

web ec goat design includes adjustable limiting stops for control stick travel stop brackets are located on the control stick torque tube they are attached to the tube using polyamide tube clamps brackets are made of 6061t6 0 125in aluminum angle the contact elements are made of polyurethane rods shore 90

fly your own ultralight airplane used aircraft ultralights - Dec 28 2021

web building with plans homebuilt ultralight helicopters 9 amazing cute or just crazy personal helicopters and rotorcraft i m 74 ultralight pilot the ultralight airplanes helicopters gliders and experimental aircraft are affordable exciting easy

sunbird rc plane ultralight electric glider youtube - May 01 2022

web jun 10 2020 my friend provided the plans and advised me to try building sunbird bird of time electric glider i considered the plans and decided to give it a shot in the end i was shocked in so many

gapa ultralight glider gapa ultralight sailplane youtube - Mar 31 2022

web jan 26 2015 sportaviationmagazine com the pw 2 gapa was designed at the warsaw university of technology and is the last in a series of primary trainers they

aircraft plans ultralight aircraft plans homebuilt amateur built - Dec 08 2022

web aircraft plans ultralight aircraft plans homebuilt amateur built experimental aircraft and light sport aircraft plans the ultralight aircraft news covering the world of ultralight aviation

bloop basic ultralight glider - Jan 09 2023

web the bloop was originaly the pig glider with an engine added later see the pig page for details on this airchair glider the bloop 4 with engine and emergency parachute weighs about 214 pounds the power package is a modern paramotor system a

vittorazi moster 185 two stroke engine 25 hp with a 1 3 meter two bladed propeller

goat page basic ultralight glider - Feb 10 2023

web apr 28 2010 the goat is technically an ultralight sailplane under united states weight rules with conventional three axis controls similar to the bug4 and the commercial super floater it is designed for slow speed recreational gliding and training

ultralight rc glider from scrap instructables - Aug 04 2022

web ultralight rc glider from scrap this is an airplane i built a while back i built the airplane on my kitchen counter using mostly cyanoacrylate glue and balsa the goal on this project was to make the airframe as light as possible the finished model had a 36 wingspan and w

ultra light 3 gramm indoor glider for beginners - Nov 07 2022

web using this ible you can build both of them if you want the slingshot model is made of cardboard and pinewood and cut the original groove on the bottom of the cockpit to attach a strong rubber band for the ultra light follow these instructions

tools paper cutter scissors pencil

basic ultralight glider - Jun 14 2023

web nov 13 2020 the basic ultralight gliders are best characterized by their light wing loading which is about the same as that of a hang glider around 1 7 lb of gross weight for every square foot of wing area light wing loading results in slow flight which is safe comfortable and allows soaring in small thermals because of the ability to turn tightly

histologie et biologie cellulaire une introduction à l anatomie - Jul 15 2023

web tout au long de l ouvrage l histologie normale est corrélée à la viologie cellulaire et moléculaire à l anatomie pathologique et à ses applications cliniques ces corrélations démontrent le caractère essentiel des données de cet ouvrage dans la compréhension de la physiopathologie

histologie et biologie cellulaire une introduction à l anatomie - Dec 08 2022

web sommaire 1 épithélium 2 glandes exocrines 3 signalisation cellulaire 4 tissu conjonctif 5 ostéogénèse 6 sang et hématopoïèse 7 muscle 8 tissu nerveux 9 organes sensoriels vision et audition 10 système immunitaire 11 téguments 12 système cardiovasculaire 13 appareil respiratoire 14 appareil urinaire 15 partie

histologie et biologie cellulaire une introduction à l anatomie - May 13 2023

web puisqu'une image vaut mieux qu'une centaine de mots histologie et biologie cellulaire une introduction à l anatomie pathologique repose essentiellement sur des illustrations pour aider les étudiants à acquérir les clés de la compréhension de l histologie et de la biologie cellulaire

introduction histologie introduction l histologie est l étude des - Aug 04 2022

web plus d infos l histologie est l étude des tissus les cellules étant un constituant fondamental des tissus de connaître leurs

caractéristiques après avoir défini et classé les tissus nous étudierons leurs caractéristiques générales spécialisation des cellules et reconnaissance par les cellules de leur

histologie et biologie cellulaire une introduction à l'anatomie - Jun 14 2023

web histologie et biologie cellulaire une introduction à l'anatomie pathologique recouvre l'ensemble des informations nécessaires à la préparation des examens notamment au cours des premiers cycles des études médicales et il constitue une approche illustrée unique d'utilisation aisée permettant de rendre des principes complexes

histologie et biologie cellulaire une introduction à l'anatomie - Feb 27 2022

web histologie et biologie cellulaire une introduction à l'anatomie pathologique relié achat en ligne au meilleur prix sur e leclerc retrait gratuit dans de 700 magasins bons plans web catalogues carte e leclerc commander en ligne high tech informatique tablettes pc macbook tablette ipad

histologie et biologie cellulaire une introduction à l'anatomie - Jul 03 2022

web l'histologie et biologie cellulaire une introduction dans la pathologie comprend toutes les informations nécessaires pour la préparation des études en particulier dans les premiers tours d'études médicales

université de tours biologie cellulaire histologie s1 s1scv - May 01 2022

web les compétences concernent aussi l'acquisition du vocabulaire de la biologie cellulaire et de l'histologie et une initiation à la démarche scientifique cours biologie cellulaire introduction à la biologie cellulaire évolution de la

histologie et biologie cellulaire relié fnac suisse - Nov 07 2022

web puisqu'une image vaut mieux qu'une centaine de mots histologie et biologie cellulaire une introduction à l'anatomie pathologique repose essentiellement sur des illustrations pour aider les étudiants à acquérir les clés de la compréhension de l'histologie et de la biologie cellulaire

histologie et biologie cellulaire une introductio - Jan 29 2022

web histologie et biologie cellulaire une introductio as recognized adventure as skillfully as experience practically lesson amusement as without difficulty as accord can be gotten by just checking out a ebook histologie et biologie cellulaire une introductio with it is not directly done you could put up with even more on this life a propos

histologie et biologie cellulaire une introductio book - Sep 05 2022

web présente les données fondamentales de la biologie cellulaire il est conçu pour proposer une aide à l'intégration structurée du savoir cette approche renouvelée de l'apprentissage de la biologie est fondée sur un texte direct invitant à une lecture active des illustrations de qualité des encadrés

biologie cellulaire et éléments d'histologie uclouvain - Oct 06 2022

web diversité du monde vivant il connaîtra la structure le fonctionnement de la cellule et du génome humain ainsi que les

mécanismes de la division cellulaire et du développement embryonnaire il connaîtra en outre la structure des principaux types de tissus humains la contribution de cette ue au développement et à la maîtrise

biologie cellulaire et éléments d histologie - Jan 09 2023

web université catholique de louvain biologie cellulaire et éléments d histologie cours 2021 liepr1004 uclouvain cours 2021 liepr1004 page 1 2 liepr1004 2021 biologie cellulaire et éléments d histologie 5 00 crédits 45 0 h q2 enseignants behets wydemans catherine henriet patrick langue d enseignement français lieu du cours louvain

histologie et biologie cellulaire une introduction à l anatomie - Aug 16 2023

web may 31 2006 histologie et biologie cellulaire une introduction à l anatomie pathologique recouvre l ensemble des informations nécessaires à la préparation des examens notamment au cours des premiers

histologie et biologie cellulaire open library - Mar 11 2023

web apr 11 2023 histologie et biologie cellulaire une introduction à l anatomie pathologique by abraham l kierszenbaum 0 ratings 1 want to read 0 currently reading 0 have read

histologie et biologie cellulaire une introduction à l anatomie - Feb 10 2023

web jun 7 2006 puisqu une image vaut mieux qu une centaine de mots histologie et biologie cellulaire une introduction à l anatomie pathologique repose essentiellement sur des illustrations pour aider les étudiants à acquérir les clés de la compréhension de l histologie et de la biologie cellulaire

histologie générale techniques d imagerie cellulaire umc edu dz - Jun 02 2022

web 1 introduction l histologie est un terme qui fait référence à l étude de l anatomie microscopique des cellules et des tissus l histologie a pour but d explorer la structure elle demeure une science vivante et utile pour tout étudiant en médecine humaine et vétérinaire en chirurgie dentaire et en biologie

introduction a l histologie univ setif dz - Mar 31 2022

web dans l histoire de la médecine et de la biologie le concept de tissu a précédé celui de cellule le premier dû à bichat dans les toutes premières années du xix siècle a été élaboré à partir de dissection anatomiques réalisées à l œil nu sans recours au microscope

histologie et biologie cellulaire une introduction à l anatomie - Apr 12 2023

web noté 5 achetez histologie et biologie cellulaire une introduction à l anatomie pathologique de abraham l kierszenbaum pierre validire patricia validire charpy isbn 9782804149109 sur amazon fr des millions de livres livrés chez vous en 1 jour

définition histologie futura - Dec 28 2021

web etude microscopique de la morphologie et de la composition des tissus biologiques histos tissu dark mode je m abonne sante définitions histologie qu est ce que c est biologie

right concentration a practical guide to the jhanas google - Jul 17 2023

oct 13 2015 a practical guidebook for meditators interested in achieving the states of bliss and deep focus associated with the buddhist jhānas one of the elements of the eightfold path is right concentration the one pointedness of mind that together with ethics livelihood meditation and more leads to the ultimate freedom from suffering

right concentration a practical guide to the jhanas - Apr 14 2023

oct 13 2015 right concentration a practical guide to the jhanas kindle edition by leigh brasington author format kindle edition 4 7 357 ratings see all formats and editions kindle 14 99 read with our free app audiobook 5 95 5 95 with discounted audible membership great on kindle great experience great value

right concentration a practical guide to the jhan copy - May 03 2022

apr 23 2023 right concentration a practical guide to the jhan 1 16 downloaded from uniport edu ng on april 23 2023 by guest right concentration a practical guide to the jhan this is likewise one of the factors by obtaining the soft documents of this right concentration a practical guide to the jhan by online

right concentration a practical guide to the jhanas shambhala - May 15 2023

jun 2 2023 the jhānas are eight progressive altered states of consciousness that can be identified with the aspect of the buddha s eightfold path called right concentration training in concentration leads to these states each of which yields a deeper and subtler state of awareness than the previous one

right concentration a practical guide to the jhanas - Aug 06 2022

view kindle edition a practical guidebook for meditators interested in achieving the states of bliss and deep focus associated with the buddhist jhanas one of the elements of the eightfold path is right concentration the one pointedness of mind that together with ethics livelihood meditation and more leads to the ultimate freedom from

right concentration a practical guide to the jhanas paperback - Nov 09 2022

oct 13 2015 right concentration a practical guide to the jhanas by leigh brasington paperback 21 95 paperback 21 95 ebook 14 99 view all available formats editions ship this item qualifies for free shipping choose expedited shipping at checkout for delivery by thursday september 28 instant purchase pick up in store check availability at nearby

right concentration a practical guide to the jhanas goodreads - Mar 13 2023

right concentration a practical guide to the jhanas eastern philosophy to discover what your friends think of this book displaying 1 30 of 32 reviews read 34 reviews from the world s largest community for readers a practical guidebook for meditators interested in achieving the states of bliss and deep f

right concentration a practical guide to the jhan copy - Mar 01 2022

may 20 2023 this right concentration a practical guide to the jhan as one of the most functioning sellers here will very be in

the middle of the best options to review deep work cal newport 2016 01 05 one of the most valuable skills in our economy is becoming increasingly rare if you master this skill you ll achieve extraordinary results deep work is

right concentration a practical guide to the jhanas - Sep 07 2022

a practical guidebook for meditators interested in achieving the states of bliss and deep focus associated with the buddhist jhānas one of the elements of the eightfold path is right concentration the one pointedness of mind that together with ethics livelihood meditation and more leads to the ultimate freedom from suffering

loading interface goodreads - Apr 02 2022

discover and share books you love on goodreads

right concentration a practical guide to the jhanas - Sep 19 2023

right concentration a practical guide to the jhanas brasington leigh amazon com tr kitap

right concentration a practical guide to the jhanas - Jun 04 2022

oct 13 2015 now legendary american buddhist teacher leigh brasington s right concentration a practical guide to the jhanas offers a practical accessible and demystifying look at the states of deep concentration the jhanas as described in the suttas of the pali canon the book gives pragmatic achievable instructions for entering these

right concentration a practical guide to the jhanas google - Jan 31 2022

oct 13 2015 right concentration a practical guide to the jhanas leigh brasington shambhala publications oct 13 2015 religion 256 pages a practical guidebook for meditators interested in

right concentration a practical guide to the jhanas google - Aug 18 2023

oct 13 2015 right concentration a practical guide to the jhanas leigh brasington shambhala publications oct 13 2015 religion 272 pages a practical guidebook for meditators interested in

right concentration a practical guide to the jhanas - Jul 05 2022

9781611802696 the buddhist jhanas successive states of deep focus or meditative absorbtion demystified a very practical guidebook for meditators for navigating their way through these states of bliss and concentration

right concentration a practical guide to the jhanas pdf - Dec 10 2022

right concentration a practical guide to the jhanas pdf 7gp1pl9jpld0 the buddhist jhanas successive states of deep focus or meditative absorbtion demystified a very practical guidebook f

right concentration a practical guide to the jhanas epub - Jan 11 2023

description the buddhist jhanas successive states of deep focus or meditative absorbtion demystified a very practical guidebook for meditators for navigating their way through these states of bliss and concentration

right concentration a practical guide to the jhānas - Jun 16 2023

this is a practical accessible and demystifying look at the states of deep concentration described in the suttas of the pali canon this book gives pragmatic achievable instructions for entering these jhanic states and provides an expert look at the theory history and presentation of the jhānas in the original suttas

right concentration a practical guide to the jhanas - Feb 12 2023

buy right concentration a practical guide to the jhanas by leigh brasington isbn 9781611802696 from amazon s book store everyday low prices and free delivery on eligible orders

right concentration a practical guide to the jhanas - Oct 08 2022

a practical guidebook for meditators interested in achieving the states of bliss and deep focus associated with the buddhist jhānas one of the elements of the eightfold path is right concentration the one pointedness of mind that together with ethics livelihood meditation and more leads to the ultimate freedom from suffering