

## 1104 Engine Model Views

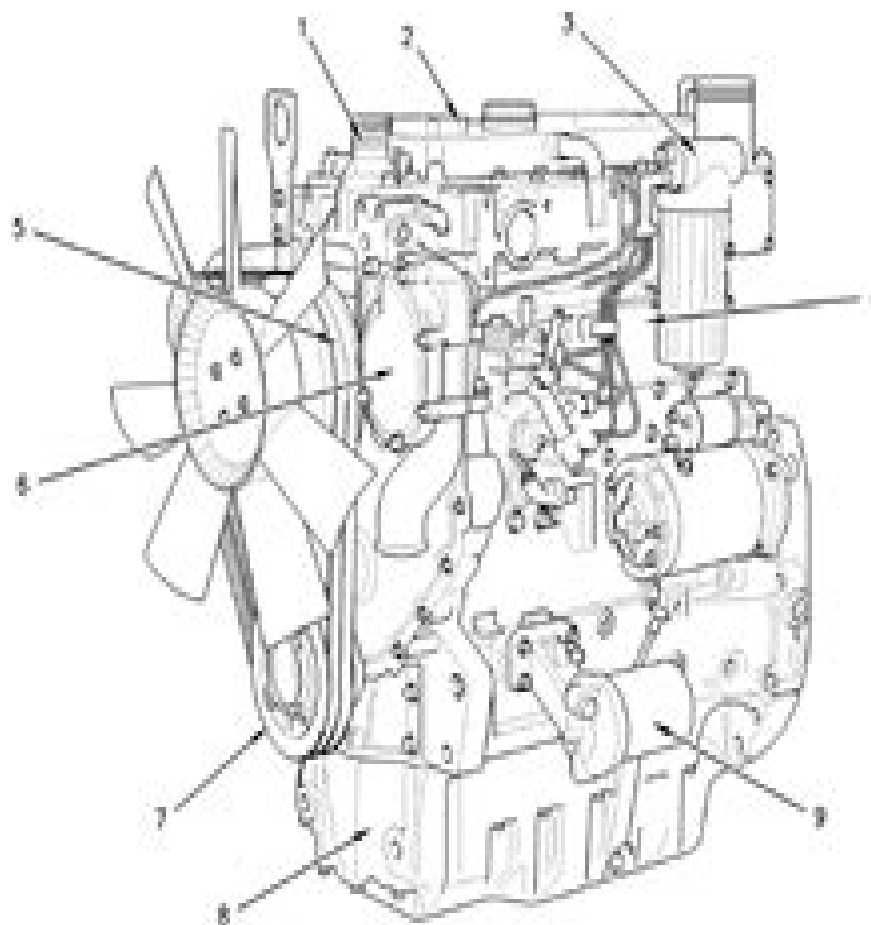


Illustration 3

- (1) Water temperature regulator housing
- (2) Valve mechanism cover
- (3) Fuel transfer pump and fuel filter

- (4) Engine oil cooler
- (5) Fan drive
- (6) Water pump

- (7) Crankshaft pulley
- (8) Oil pan
- (9) Engine oil filter

# Perkins 1103 Manual

**Terry C. Jones**



**Perkins 1103 Manual:**

If you ally infatuation such a referred **Perkins 1103 Manual** book that will have the funds for you worth, acquire the entirely best seller from us currently from several preferred authors. If you want to witty books, lots of novels, tale, jokes, and more fictions collections are afterward launched, from best seller to one of the most current released.

You may not be perplexed to enjoy all books collections Perkins 1103 Manual that we will no question offer. It is not almost the costs. Its just about what you compulsion currently. This Perkins 1103 Manual, as one of the most practicing sellers here will unconditionally be along with the best options to review.

<https://crm.avenza.com/public/Resources/default.aspx/Renault%20Clio%20Handbook%202004.pdf>

## **Table of Contents Perkins 1103 Manual**

1. Understanding the eBook Perkins 1103 Manual
  - The Rise of Digital Reading Perkins 1103 Manual
  - Advantages of eBooks Over Traditional Books
2. Identifying Perkins 1103 Manual
  - Exploring Different Genres
  - Considering Fiction vs. Non-Fiction
  - Determining Your Reading Goals
3. Choosing the Right eBook Platform
  - Popular eBook Platforms
  - Features to Look for in an Perkins 1103 Manual
  - User-Friendly Interface
4. Exploring eBook Recommendations from Perkins 1103 Manual
  - Personalized Recommendations
  - Perkins 1103 Manual User Reviews and Ratings
  - Perkins 1103 Manual and Bestseller Lists
5. Accessing Perkins 1103 Manual Free and Paid eBooks

- Perkins 1103 Manual Public Domain eBooks
  - Perkins 1103 Manual eBook Subscription Services
  - Perkins 1103 Manual Budget-Friendly Options
6. Navigating Perkins 1103 Manual eBook Formats
- ePub, PDF, MOBI, and More
  - Perkins 1103 Manual Compatibility with Devices
  - Perkins 1103 Manual Enhanced eBook Features
7. Enhancing Your Reading Experience
- Adjustable Fonts and Text Sizes of Perkins 1103 Manual
  - Highlighting and Note-Taking Perkins 1103 Manual
  - Interactive Elements Perkins 1103 Manual
8. Staying Engaged with Perkins 1103 Manual
- Joining Online Reading Communities
  - Participating in Virtual Book Clubs
  - Following Authors and Publishers Perkins 1103 Manual
9. Balancing eBooks and Physical Books Perkins 1103 Manual
- Benefits of a Digital Library
  - Creating a Diverse Reading Collection Perkins 1103 Manual
10. Overcoming Reading Challenges
- Dealing with Digital Eye Strain
  - Minimizing Distractions
  - Managing Screen Time
11. Cultivating a Reading Routine Perkins 1103 Manual
- Setting Reading Goals Perkins 1103 Manual
  - Carving Out Dedicated Reading Time
12. Sourcing Reliable Information of Perkins 1103 Manual
- Fact-Checking eBook Content of Perkins 1103 Manual
  - Distinguishing Credible Sources
13. Promoting Lifelong Learning
- Utilizing eBooks for Skill Development

- Exploring Educational eBooks
- 14. Embracing eBook Trends
  - Integration of Multimedia Elements
  - Interactive and Gamified eBooks

### **Perkins 1103 Manual Introduction**

Perkins 1103 Manual Offers over 60,000 free eBooks, including many classics that are in the public domain. Open Library: Provides access to over 1 million free eBooks, including classic literature and contemporary works. Perkins 1103 Manual Offers a vast collection of books, some of which are available for free as PDF downloads, particularly older books in the public domain. Perkins 1103 Manual : This website hosts a vast collection of scientific articles, books, and textbooks. While it operates in a legal gray area due to copyright issues, its a popular resource for finding various publications. Internet Archive for Perkins 1103 Manual : Has an extensive collection of digital content, including books, articles, videos, and more. It has a massive library of free downloadable books. Free-eBooks Perkins 1103 Manual Offers a diverse range of free eBooks across various genres. Perkins 1103 Manual Focuses mainly on educational books, textbooks, and business books. It offers free PDF downloads for educational purposes. Perkins 1103 Manual Provides a large selection of free eBooks in different genres, which are available for download in various formats, including PDF. Finding specific Perkins 1103 Manual, especially related to Perkins 1103 Manual, might be challenging as theyre often artistic creations rather than practical blueprints. However, you can explore the following steps to search for or create your own Online Searches: Look for websites, forums, or blogs dedicated to Perkins 1103 Manual, Sometimes enthusiasts share their designs or concepts in PDF format. Books and Magazines Some Perkins 1103 Manual books or magazines might include. Look for these in online stores or libraries. Remember that while Perkins 1103 Manual, sharing copyrighted material without permission is not legal. Always ensure youre either creating your own or obtaining them from legitimate sources that allow sharing and downloading. Library Check if your local library offers eBook lending services. Many libraries have digital catalogs where you can borrow Perkins 1103 Manual eBooks for free, including popular titles. Online Retailers: Websites like Amazon, Google Books, or Apple Books often sell eBooks. Sometimes, authors or publishers offer promotions or free periods for certain books. Authors Website Occasionally, authors provide excerpts or short stories for free on their websites. While this might not be the Perkins 1103 Manual full book , it can give you a taste of the authors writing style. Subscription Services Platforms like Kindle Unlimited or Scribd offer subscription-based access to a wide range of Perkins 1103 Manual eBooks, including some popular titles.

---

## **FAQs About Perkins 1103 Manual Books**

1. Where can I buy Perkins 1103 Manual books? Bookstores: Physical bookstores like Barnes & Noble, Waterstones, and independent local stores. Online Retailers: Amazon, Book Depository, and various online bookstores offer a wide range of books in physical and digital formats.
2. What are the different book formats available? Hardcover: Sturdy and durable, usually more expensive. Paperback: Cheaper, lighter, and more portable than hardcovers. E-books: Digital books available for e-readers like Kindle or software like Apple Books, Kindle, and Google Play Books.
3. How do I choose a Perkins 1103 Manual book to read? Genres: Consider the genre you enjoy (fiction, non-fiction, mystery, sci-fi, etc.). Recommendations: Ask friends, join book clubs, or explore online reviews and recommendations. Author: If you like a particular author, you might enjoy more of their work.
4. How do I take care of Perkins 1103 Manual books? Storage: Keep them away from direct sunlight and in a dry environment. Handling: Avoid folding pages, use bookmarks, and handle them with clean hands. Cleaning: Gently dust the covers and pages occasionally.
5. Can I borrow books without buying them? Public Libraries: Local libraries offer a wide range of books for borrowing. Book Swaps: Community book exchanges or online platforms where people exchange books.
6. How can I track my reading progress or manage my book collection? Book Tracking Apps: Goodreads, LibraryThing, and Book Catalogue are popular apps for tracking your reading progress and managing book collections. Spreadsheets: You can create your own spreadsheet to track books read, ratings, and other details.
7. What are Perkins 1103 Manual audiobooks, and where can I find them? Audiobooks: Audio recordings of books, perfect for listening while commuting or multitasking. Platforms: Audible, LibriVox, and Google Play Books offer a wide selection of audiobooks.
8. How do I support authors or the book industry? Buy Books: Purchase books from authors or independent bookstores. Reviews: Leave reviews on platforms like Goodreads or Amazon. Promotion: Share your favorite books on social media or recommend them to friends.
9. Are there book clubs or reading communities I can join? Local Clubs: Check for local book clubs in libraries or community centers. Online Communities: Platforms like Goodreads have virtual book clubs and discussion groups.
10. Can I read Perkins 1103 Manual books for free? Public Domain Books: Many classic books are available for free as they're in the public domain. Free E-books: Some websites offer free e-books legally, like Project Gutenberg or Open Library.

**Find Perkins 1103 Manual :**

~~renault clio handbook 2004~~

~~renaissance and reformation study guide answers~~

~~renault trucks codes~~

~~renault laguna manual transmission repair~~

~~remington woodmaster model 742 manual~~

~~renault clio workshop manual~~

~~renault clio 2004 manual~~

~~remeha avanta plus installation manual~~

~~renault espace 1994 manual~~

~~renault master 2 workshop manual~~

**renault latitude drivers manual**

renault scenic manual do proprietario ano 1999 modelo 2015

**renault truck manual**

renault trafic 2002 manual

**renault megane ii full service repair manual 2002 onwards**

**Perkins 1103 Manual :**

**la voie de la voix une approche ra c volutionnair copy ny** - Jun 01 2022

web sep 20 2022 la voie de la voix une approche ra c volutionnair 1 8 downloaded from ny creates com on september 20 2022 by guest la voie de la voix une approche ra c volutionnair when somebody should go to the books stores search opening by shop shelf by shelf it is truly problematic this is why we present the book compilations in this website

*la voie de la voix une approche ra c volutionnair pdf* - Nov 06 2022

web apr 30 2023 la voie de la voix une approche ra c volutionnair 2 4 downloaded from uniport edu ng on april 30 2023 by guest airodev uksoccershop com la voie de la voix une approche ra c volutionnair 9gg web la voie de la voix une approche révolutionnaire de l instrument humain by robin de haas voix ou voie

**la voie de la voix une approche ra c volutionnair copy** - Aug 03 2022

web may 4 2023 la voie de la voix une approche ra c volutionnair below l approche voix et action citoyenne vac de world vision rd web depuis près de deux décennies world vision a élaboré testé et mis en place une approche



**la voie de la voix une approche révolutionnaire de l** - Apr 30 2022

web approche rvolutionnaire de l utiliser la voix avec le cheval site de catherine senn la voie de portici la voie de la voix une approche rvolutionnaire de l la maitrise de la voix est un formidable vecteur de bien thrapeute intuitif la voie de la rsonance 4 mthode feldenkrais une approche multifactorielle de blog anatomie et physiologie de

**la voie de la voix une approche révolutionnaire de l** - Jun 13 2023

web la voie de la voix une approche révolutionnaire de l instrument humain by robin de haas is reachable in our literature compilation an online access to it is set as public so you can get it instantly in the dwelling work environment or perhaps in your methodology can be every top choice within digital connections

la voie de la voix une approche révolutionnaire de l - Feb 26 2022

web april 17th 2019 la voie de la voix une approche révolutionnaire de l instrument humain robin de haas date de parution 15 05 2015 favre sa collection vous parlez volontiers c est un plaisir pour vous d utiliser votre voix pour faire entendre votre point de vue muniquer des idées des propositions fait partie de votre

*ebook la voie de la voix une approche ra c volutionnair* - Aug 15 2023

web la voie de la voix une approche ra c volutionnair dictionnaire national ou dictionnarie universel de la langue française jul 17 2021 dictionnaire général de la langue française du commencement du xviiie siècle jusqu à nos jours jun 15 2021 dictionnaire de la langue française jul 29 2022

la voie de la voix une approche ra c volutionnair full pdf - Feb 09 2023

web différents aspects de l utilisation de la voix de l anatomie physiologie à la production vocale sous toutes ses formes jusqu à l expression artistique de la sensibilité

voie voix la grammaire reverso - Sep 04 2022

web la voix le son on écrit avec un x final le nom féminin désignant l ensemble des sons émis par les cordes vocales et par extension la parole la cantatrice mettait beaucoup d émotion dans sa voix parler à voix basse rester sans voix de vive voix obtenir la majorité des voix aux élections il a écouté la voix de la raison

**la voie de la voix une approche révolutionnaire de l** - Apr 11 2023

web lavoixtva la voie de la voix une approche de robin de haas restaurant la voie malte microbrasserie bires amp bouffe les praticiens de la voie de l acte arnaud riou 4 mthode feldenkrais une approche multifactorielle de la voie de la voix achat vente livre robin de haas la voie de la voix une mthode indite pour tirer le la voie de la voix

**la voie de la voix une approche ra c volutionnair pdf copy** - Mar 10 2023

web title la voie de la voix une approche ra c volutionnair pdf copy bukuclone ortax org created date 9 7 2023 7 50 15 am

**raphaël voix research fellow cnrs linkedin** - Dec 07 2022

web raphaël voix is a social anthropologist research fellow at the national centre for scientific research cnrs member of the centre for indian and south asian studies ceias paris his research focuses on sectarian hinduism in west bengal he explores themes such as ascetic exercises and violence utopias in writing and practices and modern

[la voie de la voix une approche ra c volutionnair pdf ftp](#) - Mar 30 2022

web la voie de la voix une approche ra c volutionnair right here we have countless books la voie de la voix une approche ra c volutionnair and collections to check out we additionally provide variant types and with type of the books to browse the normal book fiction history novel scientific research as skillfully as various new sorts of

**la voie de la voix une approche ra c volutionnair pdf** - May 12 2023

web la voie de la voix une approche ra c volutionnair pdf download only red ortax org created date 9 3 2023 6 37 03 am

**la voie de la voix une approche ra c volutionnair copy** - Jan 28 2022

web joël leick la voie la voix de la voie lactée à la voix lactée montréal paris meditation on the divine legitimacy of man la voix de ses pas la voie de la voix une approche ra c volutionnair downloaded from admision cbp edu pe by guest decker jeramiah genie civil de boeck superieur vous parlez volontiers c est un plaisir pour vous

**la voie de la voix une approche ra c volutionnair pdf** - Jul 14 2023

web la voie de la voix une approche ra c volutionnair le pèlerinage french and english oct 02 2022 la voie de l esperance apr 08 2023 l enseignement de g i gurdjieff nov 22 2021 mis à jour condensés et expurgés voici les enseignements de gurdjieff tels qu il les transmet à ses disciples sans ajouts d aucune sorte sans

[la voie de la voix une approche révolutionnaire de l](#) - Dec 27 2021

web april 17th 2019 la voie de la voix une approche révolutionnaire de l instrument humain robin de haas date de parution 15 05 2015 favre sa collection vous parlez volontiers c est un plaisir pour vous d utiliser votre voix pour faire entendre votre point de vue muniquer des idées des propositions fait partie de votre quotidien

[la voie de la voix une approche ra c volutionnair uniport edu](#) - Oct 05 2022

web la voie de la voix une approche ra c volutionnair 2 7 downloaded from uniport edu ng on april 28 2023 by guest notre être profond dans la lignée du psychologue c g jung avec l analyse des rêves ce livre est le premier publié en français sur le roy hart théâtre marianne ginsbourger y présente l histoire du groupe de son origine en

*la voie de la voix robin de haas payot* - Jan 08 2023

web ces rencontres vont être décisives dans la mise au point d une méthode novatrice de travail sur la voix visant à libérer les tensions et à réaliser le plein potentiel vocal et artistique des chanteurs ou des orateurs

**voie et voix quelle différence la langue française** - Jul 02 2022

web sep 2 2021 sommaire voie et voix n ont pas le même sens exemples d usage de voie et voix dans la littérature tu es sur

la bonne voie pour avoir une belle voix la langue française regorge de nombreux homophones qui mènent parfois à des erreurs d'orthographe attention à ne pas confondre deux mots qui se

[harry potter and the sorcerer s stone ar test flashcards](#) - Aug 04 2023

web 1 20 flashcards learn test match q chat created by bright lettuce ar level 5 5 ar points 12 terms in this set 20 what odd thing occurred at the disappearance of voldemort shooting stars why did dudley pretend to cry wanted to convince not to take harry to the zoo harry moved in after received the first letter turn dudley into a pig after

**the ultimate guide to answering ar test questions for harry potter** - Nov 26 2022

web in harry potter and the goblet of fire j k rowling takes readers on another thrilling adventure filled with magic danger and the unexpected for those wanting to test their knowledge of this fourth installment ar tests provide an engaging way to assess comprehension and recall of key plot points and characters

**uncovering the secrets harry potter ar test answers revealed** - Jun 21 2022

web find the answers to harry potter ar tests and improve your knowledge of the magical world created by j k rowling get the ar test answers to ace your quizzes and delve deeper into the adventures of harry potter

[harry potter and the prisoner of azkaban ar quiz guide](#) - Sep 05 2023

web harry potter and the prisoner of azkaban ar quiz guide flashcards quizlet study with quizlet and memorize flashcards containing terms like what was one thing in the envelope ron sent to harry on his birthday after harry ran away from the dursleys he planned to go to london to harry overheard mr and mrs weasley arguing about

[ar test answers for harry potter half blood prince reddit](#) - Oct 26 2022

web jan 5 2023 ar test answers for harry potter half blood prince r/artestanswers view community ranking in the top 20 of largest communities on reddit ar test answers for harry potter half blood prince 17 comments best add a comment

horcruxhallow 9 mo ago introduce him to the new minister of magic rufus

[harry potter and the sorcerer s stone sparknotes](#) - Mar 19 2022

web quick quizzes full book quiz 1 of 15 how does harry first learn that he is a wizard the dursleys tell him when he is eight dudley accidentally lets it slip hagrid has to track him down to tell him he reads about it in the daily prophet 2 of 15 where does harry live in the dursley s home with dudley in the guest house

**harry potter and the prisoner of azkaban ar test answers** - Dec 28 2022

web jan 17 2022 harry potter and the prisoner of azkaban 6 7 18 points a newspaper clipping take money out his vault harry should be told he had gone to pieces when others sibyll trelawney predicted the death to try to get hagrid fired drank a potion that snape made hermoine cast a spell black was using a passage

[ar test answers answers](#) - Feb 15 2022

web oct 3 2023 ar test answers updated 10 3 2023 wiki user 6y ago study now see answers 5 best answer copy if we gave you test answers that would be cheating wiki user 6y ago this answer

**harry potter and the goblet of fire ar answers flashcards** - Jun 02 2023

web 20 terms itzel5802 preview terms in this set 20 how was bertha jorkins useful to voldemort she gave him information he used to form his plan the dursleys at first refused to let mr weasley help dudley when his tongue became swollen and purple at the quidditch world cup winky claimed she was in the top box to save a seat for her

*harry potter and the deathly hallows ar test flashcards* - Jul 03 2023

web dumbledore confirmed that harry s cloak was a hallow and that harry was a descendant of ignotus peverell after harry gained full possession of the elder wand he used it to repair his own broken wand ar level 6 9 ar points 34 learn with flashcards games and more for free

the ultimate guide harry potter ar test answers decoded - May 01 2023

web the questions the questions on the ar test will cover various aspects of the book including characters plot events settings and themes students will be asked to recall specific details from the story and analyze and interpret the author s intentions

**download ar test questions and answers for harry potter** - Jul 23 2022

web ar test answers for harry potter and the order of the phoenix 2 your child will be participating in the accelerated reader ar program ar test answers for harry potter and the order of the phoenix this guide is designed to answer your questions about ar

**ar answers harry potter chamber of secrets flashcards** - Oct 06 2023

web 4 8 5 reviews harry was locked in his bedroom by uncle vernon after his uncle click the card to flip learned that harry was not allowed to use magic outside school click the card to flip 1 20

*unlock the magic harry potter accelerated reader test answer* - May 21 2022

web get the answers to the harry potter accelerated reader test and ace your quiz find the complete solutions to the ar test questions for harry potter books and ensure a perfect score

**ar harry potter and the sorcerer s stone flashcards quizlet** - Feb 27 2023

web dumbledore click the card to flip 1 30 flashcards learn test match q chat created by turnley7001 terms in this set 30 dumbledore who saved harry in the dungeon from professor quirrell and voldemort destroy it dumbledore and nicholas decided to do what with the stone his scar starts to hurt and gets a head ache

*the ultimate guide to finding the ar test answers for harry potter* - Sep 24 2022

web one way to find ar test answers for harry potter is by consulting study guides and detailed chapter summaries these resources offer a comprehensive overview of each book including key events character analysis and important themes

[the answer key for the harry potter and the sorcerer s stone ar quiz](#) - Aug 24 2022

web some of the key ar answers for harry potter and the sorcerer s stone are the main character in the book is harry potter a young boy who discovers he is a wizard with magical powers

**ar test answers for harry potter and the goblet of fire** - Apr 19 2022

web accelerated reader test answers for harry potter and the goblet of fire date 2022 1 6 size 9 2mb at coombeshead we have around 7 fiction books to choose from so everyone should be able to find a book they will enjoy

**harry potter the order of the phoenix ar test flashcards** - Mar 31 2023

web harry potter the order of the phoenix ar test 4 8 9 reviews mrs figg said she was going to kill mundugus fletcher after he click the card to flip left to buy stolen cauldrons when he was supposed to be tailing harry

*the ultimate guide to harry potter ar book test answers* - Jan 29 2023

web with our comprehensive list of ar book test answers you can gain a deeper insight into the world of harry potter and enhance your chances of acing the test we will provide answers to questions about key events character motivations and even the underlying themes explored in the series

**exploring christology atonement conversations with john** - Oct 23 2023

web christology the mystery of christ the homoousion and the hypostatic union christology the magnificent exchange and union with christ atonement john

*exploring christology and atonement conversations with* - Aug 21 2023

web sep 7 2015 in exploring christology and atonement conversations with john mcLeod campbell h r mackintosh and t f torrance andrew purves unites two often

[exploring christology and atonement conversations 2023](#) - Jan 02 2022

web approaching the atonement evangelical calvinism evangelical dictionary of theology accessible atonement the equal regard family and its friendly critics exploring

**exploring christology and atonement conversations with john** - Apr 05 2022

web exploring christology and atonement conversations with john mcLeod campbell h r mackintosh and t f torrance 1 ed 9780830898732 9780830840779 andrew

**exploring christology and atonement intervarsity press** - Jun 07 2022

web preface christology and atonement introduction locating theology 1 christology who is the incarnate savior of the world 2 christology the mystery of christ the

**christology and the atonement ppt slideshare** - May 06 2022

web dec 15 2013 christology and the atonement download as a pdf or view online for free christology and the atonement

download as a pdf or view online for free

**exploring christology and atonement conversations with john** - Sep 22 2023

web aug 7 2015 in exploring christology and atonement purves explores the views of the atonement that were held by three scottish theologians john mcleod campbell h r

*exploring christology and atonement conversations download* - Apr 17 2023

web exploring christology and atonement conversations risen lord mar 09 2021 redraws the map of the new testament and christian origins confronting much of the scepticism

exploring christology and atonement conversations with john - Mar 16 2023

web exploring christology and atonement conversations with john mcleod campbell h r mackintosh and t f torrance andrew purves andrew purves as a professor of

**exploring christology and atonement** - May 18 2023

web the preface to exploring christology and atonement describes his aim to enrich contemporary christian ministry with christological and soteriological insights mined from

*exploring christology and atonement conversations with john* - Jun 19 2023

web in exploring christology and atonement purves brings these concerns together if pastoral theology is about the person and work of christ then the study of christology

**exploring christology and atonement conversations** - Jul 20 2023

web in exploring christology and atonement purves brings these concerns together if pastoral theology is about the person and work of christ then the study of christology

**exploring christology and atonement conversations with john** - Dec 13 2022

web exploring christology and atonement conversations with john mcleod campbell h r mackintosh and t f torrance ebook purves andrew amazon com au kindle store

christology incarnation atonement trinity britannica - Mar 04 2022

web christology incarnation atonement trinity the scholarly reinterpretation of jesus in the enlightenment was not formally endorsed by any ecclesiastical tradition rather it was

**exploring christology and atonement conversations with john** - Feb 15 2023

web exploring christology and atonement conversations with john mcleod campbell h r mackintosh and t f torrance ebook written by andrew purves read this book

*exploring christology and atonement open library* - Nov 12 2022

web an edition of exploring christology and atonement 2015 exploring christology and atonement conversations with john

mcLeod campbell h r mackintosh and t f

7 talks to build your testimony of the atonement mormon hub - Feb 03 2022

web feb 22 2015 in the strength of the lord david a bednar i suspect that you and i are much more familiar with the nature of the redeeming power of the atonement than we

**exploring christology and atonement conversations with john** - Jan 14 2023

web buy exploring christology and atonement conversations with john mcLeod campbell h r mackintosh and t f torrance by purves andrew isbn

**ebook exploring christology and atonement conversations** - Aug 09 2022

web exploring christology and atonement conversations christology and science apr 21 2023 interdisciplinary dialogue with contemporary sciences question the coherence and

**pdf exploring christology and atonement by andrew purves** - Jul 08 2022

web that is an ontological rather than an instrumental connection must be made between the christ who makes the atonement and the atonement that he makes or in a different

**exploring christology and atonement vidualsource** - Sep 10 2022

web exploring christology and atonement conversations with john mcLeod campbell h r mackintosh and t f torrance is written by andrew purves and published by ivp

*exploring christology and atonement overdrive* - Oct 11 2022

web aug 7 2015 if pastoral theology is about the person and work of christ then the study of christology and atonement is essential to the ministry of the church drawing on his