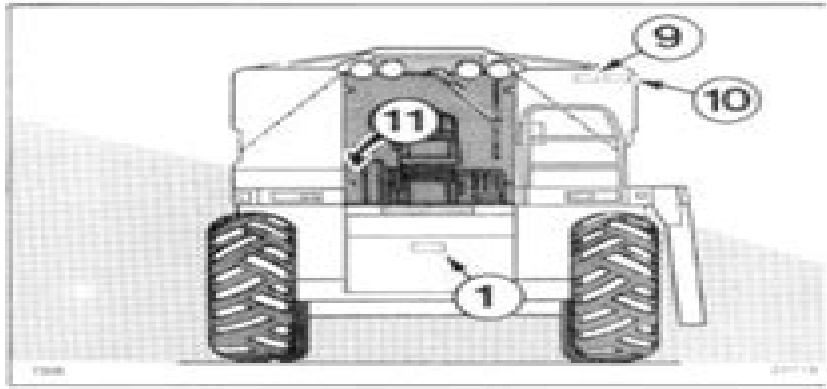
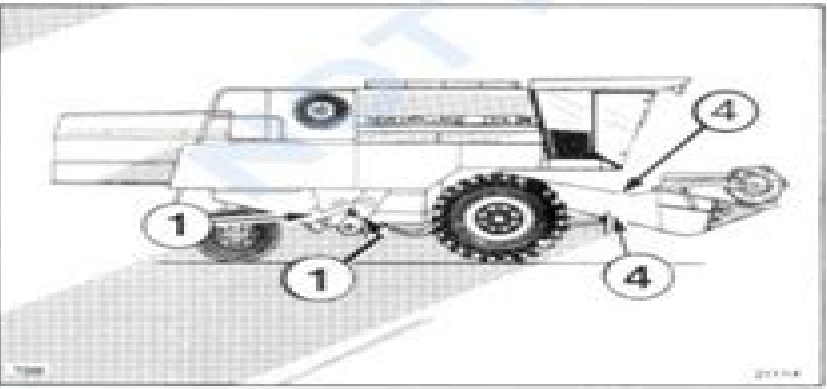
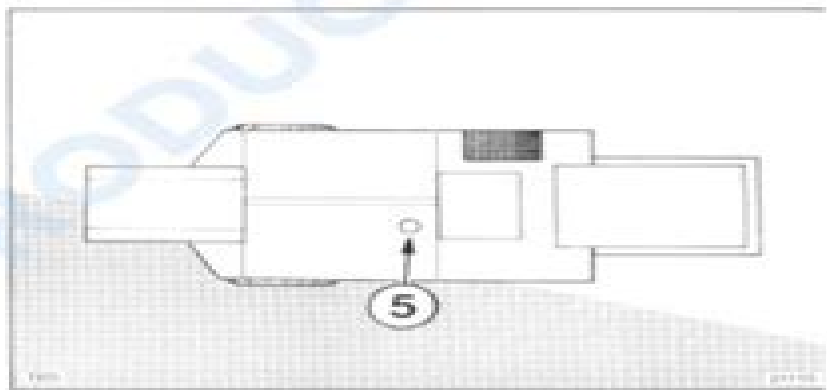
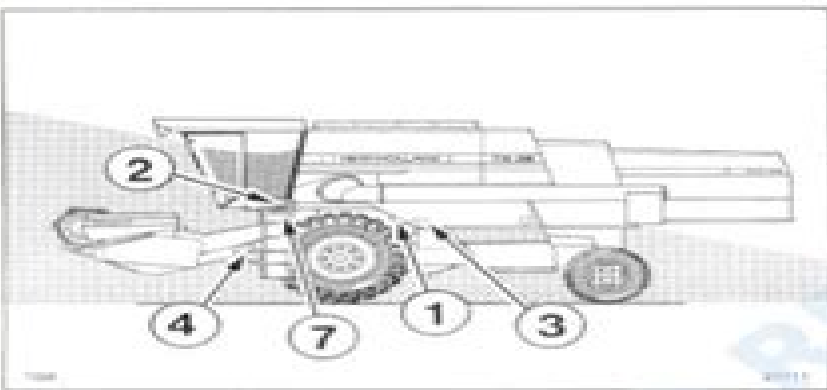
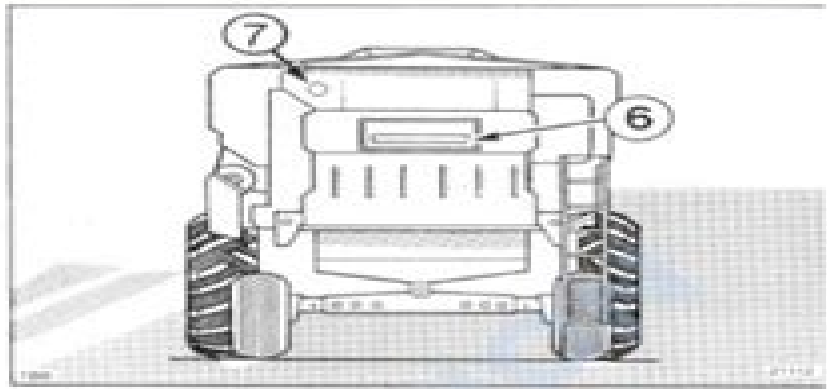


Les autocollants suivants sont apposés sur la machine aux emplacements indiqués dans les figures ci-dessous. Ces autocollants ont pour but de promouvoir votre sécurité personnelle ainsi que celle de toutes les autres personnes de votre entourage. Veuillez, avec le manuel, faire le tour de la machine et lire les indications qui figurent sur ces autocollants. Signaler et faire prendre connaissance des indications des autocollants aux autres utilisateurs éventuels de la machine.

Veiller à ce que les autocollants restent lisibles en permanence. En cas de détérioration, demander des autocollants neufs à votre concessionnaire **NEW HOLLAND**.



New Holland Tx 34 Combine Workshop Manual

L Towner



New Holland Tx 34 Combine Workshop Manual:

Cars & Parts ,1979 **California Farmer** ,1980 *Farmers and Consumers Market Bulletin* ,2010 *MacRae's Blue Book* ,1989 **American Export Register** ,1985 *Combine Model 975* New Holland (Pa.),Sperry New Holland,1978
Service Manual ,1979 *Combine TR95* New Holland (Pa.),Sperry New Holland,1982 Combines 1400-1500 New Holland (Pa.),Sperry New Holland,Sperry Rand Corporation. New Holland Division,1974 Repair Manual New Holland North America,1998

Discover tales of courage and bravery in its empowering ebook, Unleash Courage in **New Holland Tx 34 Combine Workshop Manual** . In a downloadable PDF format (Download in PDF: *), this collection inspires and motivates. Download now to witness the indomitable spirit of those who dared to be brave.

<https://crm.avenza.com/files/detail/HomePages/Service%20Manual%20Ford%20Mustang.pdf>

Table of Contents New Holland Tx 34 Combine Workshop Manual

1. Understanding the eBook New Holland Tx 34 Combine Workshop Manual
 - The Rise of Digital Reading New Holland Tx 34 Combine Workshop Manual
 - Advantages of eBooks Over Traditional Books
2. Identifying New Holland Tx 34 Combine Workshop Manual
 - Exploring Different Genres
 - Considering Fiction vs. Non-Fiction
 - Determining Your Reading Goals
3. Choosing the Right eBook Platform
 - Popular eBook Platforms
 - Features to Look for in a New Holland Tx 34 Combine Workshop Manual
 - User-Friendly Interface
4. Exploring eBook Recommendations from New Holland Tx 34 Combine Workshop Manual
 - Personalized Recommendations
 - New Holland Tx 34 Combine Workshop Manual User Reviews and Ratings
 - New Holland Tx 34 Combine Workshop Manual and Bestseller Lists
5. Accessing New Holland Tx 34 Combine Workshop Manual Free and Paid eBooks
 - New Holland Tx 34 Combine Workshop Manual Public Domain eBooks
 - New Holland Tx 34 Combine Workshop Manual eBook Subscription Services
 - New Holland Tx 34 Combine Workshop Manual Budget-Friendly Options
6. Navigating New Holland Tx 34 Combine Workshop Manual eBook Formats

- ePub, PDF, MOBI, and More
 - New Holland Tx 34 Combine Workshop Manual Compatibility with Devices
 - New Holland Tx 34 Combine Workshop Manual Enhanced eBook Features
7. Enhancing Your Reading Experience
 - Adjustable Fonts and Text Sizes of New Holland Tx 34 Combine Workshop Manual
 - Highlighting and Note-Taking New Holland Tx 34 Combine Workshop Manual
 - Interactive Elements New Holland Tx 34 Combine Workshop Manual
 8. Staying Engaged with New Holland Tx 34 Combine Workshop Manual
 - Joining Online Reading Communities
 - Participating in Virtual Book Clubs
 - Following Authors and Publishers New Holland Tx 34 Combine Workshop Manual
 9. Balancing eBooks and Physical Books New Holland Tx 34 Combine Workshop Manual
 - Benefits of a Digital Library
 - Creating a Diverse Reading Collection New Holland Tx 34 Combine Workshop Manual
 10. Overcoming Reading Challenges
 - Dealing with Digital Eye Strain
 - Minimizing Distractions
 - Managing Screen Time
 11. Cultivating a Reading Routine New Holland Tx 34 Combine Workshop Manual
 - Setting Reading Goals New Holland Tx 34 Combine Workshop Manual
 - Carving Out Dedicated Reading Time
 12. Sourcing Reliable Information of New Holland Tx 34 Combine Workshop Manual
 - Fact-Checking eBook Content of New Holland Tx 34 Combine Workshop Manual
 - Distinguishing Credible Sources
 13. Promoting Lifelong Learning
 - Utilizing eBooks for Skill Development
 - Exploring Educational eBooks
 14. Embracing eBook Trends
 - Integration of Multimedia Elements
 - Interactive and Gamified eBooks

New Holland Tx 34 Combine Workshop Manual Introduction

In this digital age, the convenience of accessing information at our fingertips has become a necessity. Whether its research papers, eBooks, or user manuals, PDF files have become the preferred format for sharing and reading documents. However, the cost associated with purchasing PDF files can sometimes be a barrier for many individuals and organizations. Thankfully, there are numerous websites and platforms that allow users to download free PDF files legally. In this article, we will explore some of the best platforms to download free PDFs. One of the most popular platforms to download free PDF files is Project Gutenberg. This online library offers over 60,000 free eBooks that are in the public domain. From classic literature to historical documents, Project Gutenberg provides a wide range of PDF files that can be downloaded and enjoyed on various devices. The website is user-friendly and allows users to search for specific titles or browse through different categories. Another reliable platform for downloading New Holland Tx 34 Combine Workshop Manual free PDF files is Open Library. With its vast collection of over 1 million eBooks, Open Library has something for every reader. The website offers a seamless experience by providing options to borrow or download PDF files. Users simply need to create a free account to access this treasure trove of knowledge. Open Library also allows users to contribute by uploading and sharing their own PDF files, making it a collaborative platform for book enthusiasts. For those interested in academic resources, there are websites dedicated to providing free PDFs of research papers and scientific articles. One such website is Academia.edu, which allows researchers and scholars to share their work with a global audience. Users can download PDF files of research papers, theses, and dissertations covering a wide range of subjects. Academia.edu also provides a platform for discussions and networking within the academic community. When it comes to downloading New Holland Tx 34 Combine Workshop Manual free PDF files of magazines, brochures, and catalogs, Issuu is a popular choice. This digital publishing platform hosts a vast collection of publications from around the world. Users can search for specific titles or explore various categories and genres. Issuu offers a seamless reading experience with its user-friendly interface and allows users to download PDF files for offline reading. Apart from dedicated platforms, search engines also play a crucial role in finding free PDF files. Google, for instance, has an advanced search feature that allows users to filter results by file type. By specifying the file type as "PDF," users can find websites that offer free PDF downloads on a specific topic. While downloading New Holland Tx 34 Combine Workshop Manual free PDF files is convenient, its important to note that copyright laws must be respected. Always ensure that the PDF files you download are legally available for free. Many authors and publishers voluntarily provide free PDF versions of their work, but its essential to be cautious and verify the authenticity of the source before downloading New Holland Tx 34 Combine Workshop Manual. In conclusion, the internet offers numerous platforms and websites that allow users to download free PDF files legally. Whether its classic literature, research papers, or magazines, there is something for everyone. The platforms mentioned in this article, such as Project Gutenberg, Open Library, Academia.edu, and Issuu,

provide access to a vast collection of PDF files. However, users should always be cautious and verify the legality of the source before downloading New Holland Tx 34 Combine Workshop Manual any PDF files. With these platforms, the world of PDF downloads is just a click away.

FAQs About New Holland Tx 34 Combine Workshop Manual Books

What is a New Holland Tx 34 Combine Workshop Manual PDF? A PDF (Portable Document Format) is a file format developed by Adobe that preserves the layout and formatting of a document, regardless of the software, hardware, or operating system used to view or print it. **How do I create a New Holland Tx 34 Combine Workshop Manual PDF?**

There are several ways to create a PDF: Use software like Adobe Acrobat, Microsoft Word, or Google Docs, which often have built-in PDF creation tools. Print to PDF: Many applications and operating systems have a "Print to PDF" option that allows you to save a document as a PDF file instead of printing it on paper. Online converters: There are various online tools that can convert different file types to PDF. **How do I edit a New Holland Tx 34 Combine Workshop Manual PDF?** Editing a PDF can be done with software like Adobe Acrobat, which allows direct editing of text, images, and other elements within the PDF. Some free tools, like PDFescape or Smallpdf, also offer basic editing capabilities. **How do I convert a New Holland**

Tx 34 Combine Workshop Manual PDF to another file format? There are multiple ways to convert a PDF to another format: Use online converters like Smallpdf, Zamzar, or Adobe Acrobats export feature to convert PDFs to formats like Word, Excel, JPEG, etc. Software like Adobe Acrobat, Microsoft Word, or other PDF editors may have options to export or save PDFs in different formats. **How do I password-protect a New Holland Tx 34 Combine Workshop Manual PDF?** Most PDF

editing software allows you to add password protection. In Adobe Acrobat, for instance, you can go to "File" -> "Properties" -> "Security" to set a password to restrict access or editing capabilities. Are there any free alternatives to Adobe Acrobat for working with PDFs? Yes, there are many free alternatives for working with PDFs, such as: LibreOffice: Offers PDF editing features. PDFsam: Allows splitting, merging, and editing PDFs. Foxit Reader: Provides basic PDF viewing and editing capabilities. How do I compress a PDF file? You can use online tools like Smallpdf, ILovePDF, or desktop software like Adobe Acrobat to compress PDF files without significant quality loss. Compression reduces the file size, making it easier to share and download. Can I fill out forms in a PDF file? Yes, most PDF viewers/editors like Adobe Acrobat, Preview (on Mac), or various online tools allow you to fill out forms in PDF files by selecting text fields and entering information. Are there any restrictions when working with PDFs? Some PDFs might have restrictions set by their creator, such as password protection, editing restrictions, or print restrictions. Breaking these restrictions might require specific software or tools, which may or may not be legal depending on the circumstances and local laws.

Find New Holland Tx 34 Combine Workshop Manual :

service manual ford mustang

[service manual for yamaha yz125](#)

service manual mf 120 baler

[service manual jeep grand cherokee crd2015](#)

service manual garmin asus nuvifone m20

service manual ir 3235

service manual honda shadow 1984

[service manual landcruiser vdj78](#)

~~service manual for flht 2015 electra glide~~

[service manual for honda xr500 1979](#)

~~service manual for opel astra~~

service manual ford escape 02

service manual perkins generator

[service manual honda crv 2002](#)

service manual for honda xl500r

New Holland Tx 34 Combine Workshop Manual :

[autodata timing belts 2013 askstage sharkexperience com](#) - Jun 01 2022

web autodata timing belts 2013 1 autodata timing belts 2013 recognizing the quirk ways to acquire this book autodata timing belts 2013 is additionally useful you have remained in right site to begin getting this info acquire the autodata timing belts 2013 link that we give here and check out the link

autodata timing belts software free download autodata - Feb 09 2023

web good timing is an alarm clock a timer and a calendar good timing can sound an alarm at a particular time or in a specific amount of time alarms can play sounds show a message or even run system commands use good timing to manage your time at

[autodata timing belt dallas1 starve io](#) - Feb 26 2022

web 2005 timing belts 1989 2004 models research needs autodata timing belts 1995 autodata timing belt downloaded from dallas1 starve io by guest english lester for petrol and diesel engines 1974 95 random house discover how the application of

novel multidisciplinary integrative approaches and technologies are dramatically changing our

autodata timing belts 2013 help environment harvard edu - Jul 02 2022

web autodata timing belts 2013 yeah reviewing a book autodata timing belts 2013 could go to your close associates listings

this is just one of the solutions for you to be competently as acuteness of this autodata timing belts 2013 can be taken as

skillfully as picked to act data structures and algorithms in java michael t goodrich 2014 01 28

autodata timing belts ebay - May 12 2023

web autodata timing belts book for petrol and diesel engines 1974 93 pre owned private eur 5 83 tonytot350m 12 024 100 or

best offer eur 17 48 postage from united kingdom

amazon com autodata books - Nov 06 2022

web timing belts domestic and imported cars and light trucks 1974 2000 2001 edition by autodata publications inc feb 14

2000

autodata timing belts 2013 50storiesfortomorrow ilfu com - Oct 05 2022

web profound transformations is nothing short of extraordinary within the captivating pages of autodata timing belts 2013 a

literary masterpiece penned by a renowned author readers attempt a transformative journey unlocking the secrets and

untapped potential embedded within each word in

autodata timing belt 139 162 214 128 - Jan 28 2022

web autodata timing belt autodata timing belt 2 downloaded from 139 162 214 128 on 2021 11 10 by guest students the tools

they need to use r and the information they need to navigate the sometimes complex world of statistical computing ford focus

2000 11 repair manual chilton h 2013 06 this is a maintenance and repair manual for the diy mechanic

timing chain gears serpentine belts domestic imports 1997 2013 - Aug 15 2023

web this professional manual covers timing chains gears incl serpentine belts for 1997 2013 domestic and import vehicles

autodata 13 170

autodata professional automotive manuals the motor bookstore - Jun 13 2023

web we carry autodata repair manuals covering key and remote programming timing chains gears serpentine belts technical

specifications diagnostic trouble codes tire pressure monitoring systems and much much more at the motor bookstore

2006 timing belts coverage 1992 2006 by autodata goodreads - Jan 08 2023

web mar 17 2006 the 2006 edition timing belt manual provides all the information required for the inspection replacement

and tensioning of timing belts on domestic and imported cars vans and light trucks from 1992 through 2006

autodata timing belts 2013 monograf no - Mar 10 2023

web 2 autodata timing belts 2013 2022 03 27 island of spitsbergen and the united states commissioned as a naval officer and

given command of his own ship jones then patrolled the waters off canada and newfoundland before returning to britain in 1944 this true story written on the basis of personal conversations and a scrapbook entrusted to

[autodata timing belts help environment harvard edu](#) - Apr 11 2023

web 2004 timing belts 1985 2003 models autodata publications inc staff 2004 05 this manual provides all the information required for the inspection replacement and tensioning of timing belts on domestic and imported cars vans and light trucks from 1985 to 2003

autodata timing belts 2013 uniport edu ng - Dec 27 2021

web jun 21 2023 autodata timing belts 2013 2 9 downloaded from uniport edu ng on june 21 2023 by guest electric wiring domestic a j coker 1969 advanced automotive fault diagnosis tom denton 2006 08 14 diagnostics or fault finding is a fundamental part of an automotive technician s work and as automotive systems become increasingly complex

autodata timing belt 2010 autotech connexion - Dec 07 2022

web 2010 timing belt manual domestic and imported cars vans and light trucks 1995 2010 including serpentine belt routings produced specifically for north america this publication is a repair manual for professional technicians it provides all the information required for the inspection autodata timing belt 2010 author

[amazon com autodata timing belt book](#) - Jul 14 2023

web timing belts domestic and imported cars vans and light trucks 1974 96 timing belts 1996 edition by autodata jan 1 1997 *autodata timing belt* - Aug 03 2022

web sep 8 2023 timing belts autodata limited 2013 2005 timing belts 1989 2004 models autodata 2005 05 this manual provides all the information required for the inspection replacement and tensioning of timing belts on domestic and imported cars vans and light trucks from 1985 to 2003

autodata timing belt manual cabulivuturli s diary - Sep 04 2022

web oct 17 2020 autodata timing belt bookautodata books 2016autodata free download autodata 2013 version 3 40 x64 x86 autodata is convenient and popular program on diagnosis service and repair all makes of cars autodata provides layout components and assemblies vehicle and wiring gates 2010 autodata timing

autodata timing belts 2013 pdf copy tax clone ortax - Apr 30 2022

web autodata timing belts 2013 pdf pages 3 22 autodata timing belts 2013 pdf upload mia w paterson 3 22 downloaded from tax clone ortax org on september 3 2023 by mia w paterson buses and work trucks the book also recommends approaches that federal agencies could use to regulate these vehicles fuel consumption

autodata timing belt manual pdf 2023 support ortax - Mar 30 2022

web autodata 2006 03 the 2006 edition timing belt manual provides all the information required for the inspection

replacement and tensioning of timing belts on domestic

teatro portuguese edition by miguel torga goodreads - Aug 14 2023

web buy on amazon rate this book neste volume reúnem se as peças de teatro mais significativas de miguel terra firme 1941 mar 1941 e o paraíso 1949

teatro portuguese edition kindle edition amazon ca - Mar 09 2023

web apr 1 2010 teatro portuguese edition ebook camões luís de amazon ca books skip to main content ca hello select your address kindle store select the department

teatro portuguese edition kindle edition amazon ca - Jun 12 2023

web select the department you want to search in

teatro portuguese edition 9789728423681 amazon com books - Aug 02 2022

web teatro portuguese edition on amazon com free shipping on qualifying offers teatro portuguese edition

teatro portuguese edition paperback june 14 2016 - Jan 07 2023

web jun 14 2016 teatro portuguese edition evans lu on amazon com free shipping on qualifying offers teatro portuguese edition

teatro portuguese edition uniport edu ng - Dec 26 2021

web teatro portuguese edition 1 11 downloaded from uniport edu ng on september 6 2023 by guest teatro portuguese edition right here we have countless book teatro

theatro portuguese edition paperback amazon co uk - Oct 04 2022

web buy theatro portuguese edition by isbn 9785875200588 from amazon s book store everyday low prices and free delivery on eligible orders

molars to mauls portugal s captain sinks teeth into world cup - Oct 24 2021

web 21 hours ago the 2007 edition was held there too and while portugal were thoroughly seen off they played to large enthusiastic support appleton hopes more of the same will

teatro tradução em inglês linguee - Feb 25 2022

web muitos exemplos de traduções com teatro dicionário inglês português e busca em milhões de traduções consultar o linguee propor como tradução para teatro copiar

amazon com teatro portuguese edition ebook evans lu - Dec 06 2022

web aug 26 2016 buy teatro portuguese edition read books reviews amazon com

teatro portuguese edition - Mar 29 2022

web teatro portuguese edition blueprints for a black federal theatre european Shakespeares portuguese film 1930 1960

teatro nacional d maria ii improvisation

teatro portuguese edition kindle edition amazon com au - Jul 13 2023

web teatro portuguese edition ebook camões luís de amazon com au books skip to main content com au delivering to sydney 1171 sign in to update kindle store select

o teatro portuguese edition kindle edition amazon com - Apr 10 2023

web aug 6 2019 buy o teatro portuguese edition read kindle store reviews amazon com amazon com o teatro portuguese edition ebook barreto luís

teatro english translation cambridge dictionary - Jul 01 2022

web theater o teatro moderno modern theater figurative lugar onde se desenrolam certas ações stage a rua foi o teatro do crime the street was the stage of the crime synonym

teatro portuguese edition bespoke cityam com - Apr 29 2022

web teatro portuguese edition teatro portuguese edition 2 downloaded from bespoke cityam com on 2023 03 12 by guest practicalities of realising the design and its

teatro portuguese edition kindle edition amazon ca - Nov 05 2022

web dec 28 2013 teatro portuguese edition ebook correia garção amazon ca books skip to main content ca delivering to balzac t4b 2t sign in to update your location

red wine floods city streets in portugal after a breach at a - Jan 27 2022

web 2 days ago the roughly 2 2 million liters of wine some 581 000 gallons poured out of two burst tanks at destilaria levira on sunday according to local newspaper diário de

portuguese town flooded by river of good quality red wine - Nov 24 2021

web 2 days ago tue 12 sep 2023 21 28 edt last modified on wed 13 sep 2023 12 45 edt alcohol flowed freely in the portuguese town of levira over the weekend after two vats

teatro portuguese edition kindle edition amazon ca - Feb 08 2023

web apr 25 2018 teatro portuguese edition ebook meyer joseph amazon ca kindle store skip to main content ca hello select your address kindle store hello sign in

teatro portuguese edition meyer joseph 9781980934929 - Sep 03 2022

web apr 26 2018 teatro portuguese edition meyer joseph on amazon com free shipping on qualifying offers teatro portuguese edition

teatro translation in english portuguese english dictionary - May 31 2022

web teatro m theatre brit theater us obras plays pl dramatic works pl gênero curso drama peça de teatro play fazer teatro fig

to be dramatic teatro de arena theatre in

[teatro portuguese edition kindle edition amazon in](#) - May 11 2023

web teatro portuguese edition ebook evans lu amazon in kindle store skip to main content in delivering to mumbai 400001

sign in to update your location all select the

[xenophon internet encyclopedia of philosophy](#) - Sep 24 2022

web xenophon s symposium depicts an avowedly lighthearted group of friends attending a spontaneous dinner party in honor of young autolycus victory in an olympic event

[the interrelation and date of the symposia of plato and xenophon](#) - May 21 2022

web j d moore s recent attempt to date plato s symposium after the phaedrus and by implication much later than 380 b c was successful 6 the possible reminiscences of other platonic works traced in xenophon s symposium by several scholars are for

the most part highly disputable 7 some reflections of the phaedrus will be discussed below and

[reading xenophon s symposium ramus cambridge core](#) - Jan 29 2023

web sep 2 2016 reading xenophon s symposium published online by cambridge university press 02 september 2016 fiona

hobden article metrics get access cite rights permissions extract in just over a decade interest in

[xenophon of athens symposium loeb classical library](#) - Feb 27 2023

web xenophon s symposium is set in 422 the boy autolycus has won a great panathenaic victory in the pankration and his wealthy admirer callias throws a celebratory party for him and his father lycon but the main theme as at plato s symposium is the nature and proper management of eros

xenophon symposium by a j bowen edited and translated by - Feb 15 2022

web the symposium that xenophon wrote has lived in the shadow of the more famous one by plato so much so that it has not received a full commentary in english for well over a hundred years yet it is a work as useful for its greek as it is precious for its content socrates is the hero of each symposium but most of our understanding of him is

[xenophon symposium chapter 1 perseus digital library](#) - Aug 04 2023

web xenophon xenophontis opera omnia vol 2 2nd ed oxford clarendon press 1921 repr 1971 the annenberg cpb project provided support for entering this text purchase a copy of this text not necessarily the same edition from amazon com this work is licensed under a creative commons attribution sharealike 3 0 united states license

[xenophon wikipedia](#) - Jul 23 2022

web these works include xenophon s apology memorabilia symposium and oeconomicus the symposium outlines the character of socrates as he and his companions discuss what attribute they take pride in one of the main plots of the symposium is about the type of loving relationship noble or base a rich aristocrat will be able to

xenophon s symposium the classical review cambridge - Jun 21 2022

web apr 12 2006 xenophon s symposium volume 53 issue 1 to save this article to your kindle first ensure coreplatform cambridge org is added to your approved personal document e mail list under your personal document settings on the manage your content and devices page of your amazon account

how to be a good symposiast and other lessons from xenophon s symposium - Nov 26 2022

web xenophon s symposium lies at a confluence between two trends in modern scholarship on the one hand its author and his writings have recently attracted a resurgence in interest and credibility no longer is xenophon regarded as merely a literary dilettante a dull unimaginative and ultimately incompetent philosopher or a conservative

[xenophon symposium antisthenes on wealth need and youtube](#) - Mar 19 2022

web mar 7 2021 get xenophon s conversations of socrates amzn to 3cc1uchsupport my work here patreon com
sadlerphilosophy tutorials reasoni

7 xenophon s symposium cambridge university press - May 01 2023

web jan 12 2017 5 xenophon s anabasis and hellenica 6 xenophon s apology and memorabilia 7 xenophon s symposium 8 xenophon s oeconomicus 9 xenophon s cyropaedia tentative answers to an enigma 10 xenophon the small works part iii techniques part iv major subjects part v reception and influence important dates in

xenophon of athens symposium loeb classical library - Dec 28 2022

web symposium niceratus was the son of the wealthy landowner and general nicias who would perish in the sicilian expedition nine years later represented here as newly married to an athenian girl who we are told elsewhere would not survive her husband when he was executed by the thirty tyrants like his father niceratus was a democrat

symposium work by xenophon britannica - Jun 02 2023

web xenophon s symposium is a depiction of socrates in conversation with his friends at a drinking party it is perhaps inspired by a work of plato of the same name and character and is regarded by some scholars as a valuable re creation of socrates thought and way

xenophon symposium chapter 1 section 1 perseus digital - Oct 06 2023

web symposium section 1 section 9 section 16 chapter 2 chapter 3 chapter 4 chapter 5 chapter 6 chapter 7 chapter 8 chapter 9 to my mind it is worth while to relate not only the serious acts of great and good men but also what they do in their lighter moods i should like to narrate an experience of mine that gives me this conviction xenophon

xenophon s symposium xenophon google books - Apr 19 2022

web xenophon s symposium xenophon 2005 115 pages bryn mawr commentaries provide clear concise accurate and consistent support for students making the transition from introductory and intermediate texts to the direct experience of

xenophon symposium philpapers - Aug 24 2022

web abstract the symposium that xenophon wrote has lived in the shadow of the more famous one by plato so much so that it has not received a full commentary in english for well over a hundred years

the symposium by xenophon project gutenber - Jul 03 2023

web the symposium by xenophon translation by h g dakyns xenophon the athenian was born 431 b c he was a pupil of socrates he marched with the spartans and was exiled from athens sparta gave him land and property in scillus where he lived for many years before having to move once more to settle in corinth he died in 354 b c

the symposium introduction sparknotes - Mar 31 2023

web introduction of all the works of plato the symposium is the most perfect in form and may be truly thought to contain more than any commentator has ever dreamed of or as goethe said of one of his own writings more than the author himself knew

xenophon s symposium xenophon free download borrow - Oct 26 2022

web may 7 2008 xenophon s symposium by xenophon winans samuel ross 1855 1910 ed publication date 1881 publisher boston j allyn collection americana book from the collections of university of michigan language ancient greek ancient greek *symposium xenophon wikipedia* - Sep 05 2023

web xenophon symposium ed a j bowen warminster aris phillips ltd 1998 xenophon the shorter socratic writings apology of socrates to the jury oeconomicus and symposium trans and with interpretive essays by robert c bartlett with thomas pangle and wayne ambler ithaca cornell university press the agora editions 1996