
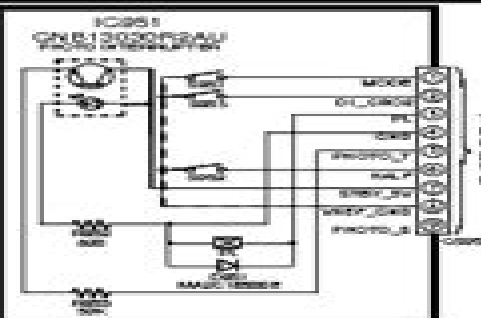
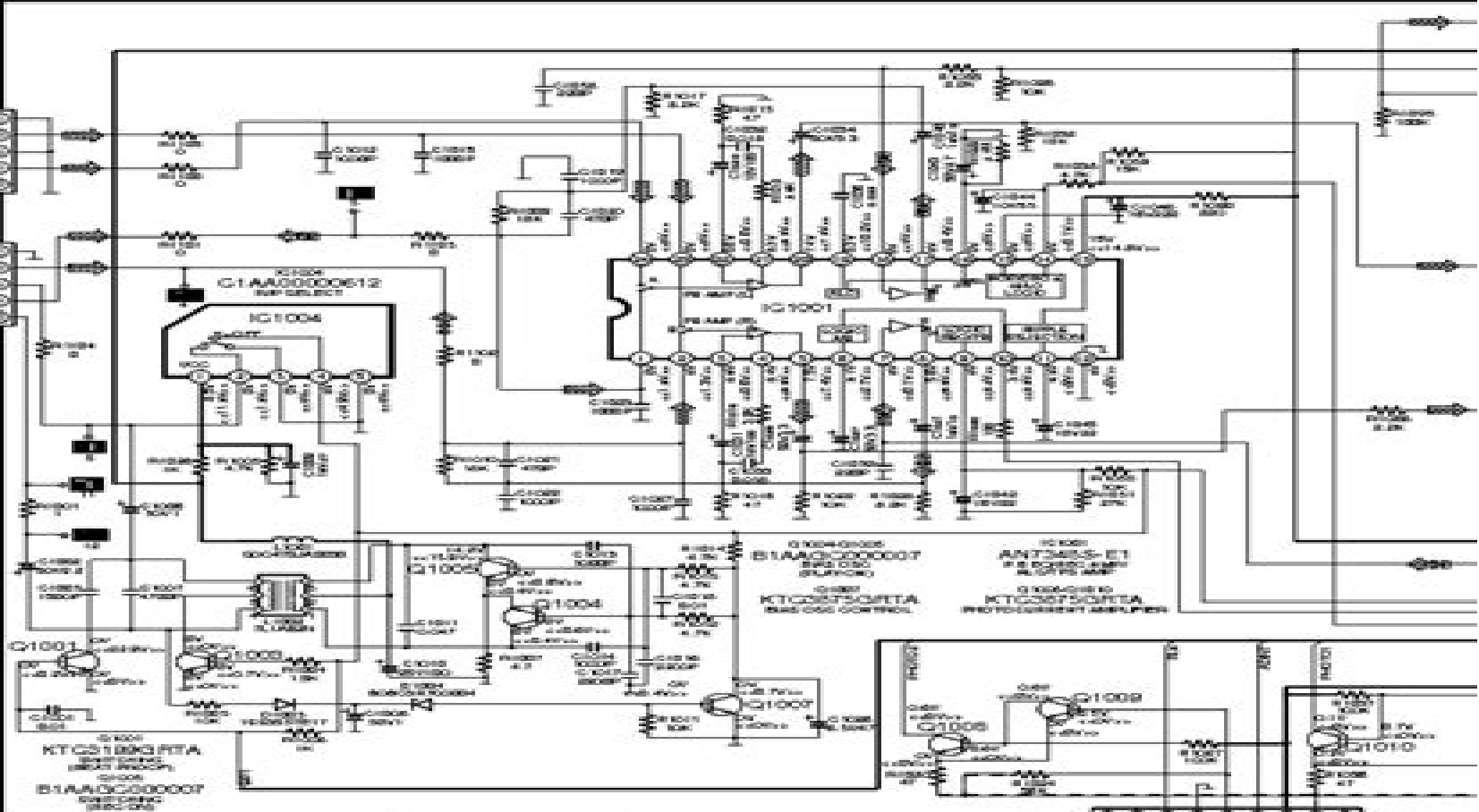
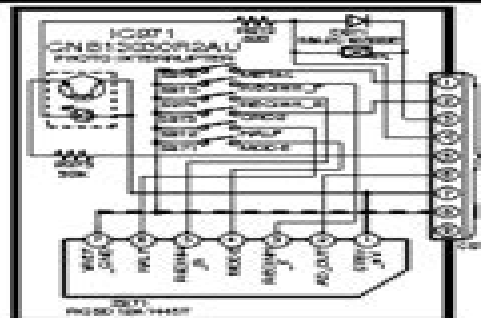


— — — — — S SIGNAL LINE  PLAYBACK SIGNAL LINE
 - - - - - S SIGNAL LINE  RECORD SIGNAL LINE

E DECK CIRCUIT



F MECHANISM CIRCUIT (DECK 1)



G MECHANISM CIRCUIT (DECK 2)

TO MECHANISM CIRCUIT (IC2001) ON SCHEMATIC DIAGRAM-10

TO DECK (ICP1002) ON SCHEMATIC DIAGRAM-10

Panasonic Service Manual Electronic Board

L Cohen



Panasonic Service Manual Electronic Board:

Catalog of Copyright Entries. Third Series Library of Congress. Copyright Office,1965 Includes Part 1 Number 2 Books and Pamphlets Including Serials and Contributions to Periodicals July December **Popular Electronics** ,1982

InfoWorld ,1982-08-30 InfoWorld is targeted to Senior IT professionals Content is segmented into Channels and Topic Centers InfoWorld also celebrates people companies and projects *PC Mag* ,1997-07 PCMag com is a leading authority on technology delivering Labs based independent reviews of the latest products and services Our expert industry analysis and practical solutions help you make better buying decisions and get more from technology *Electronic Musician* ,1994

PC Mag ,1986-11-11 PCMag com is a leading authority on technology delivering Labs based independent reviews of the latest products and services Our expert industry analysis and practical solutions help you make better buying decisions and get more from technology **Popular Photography** ,1992-04 Popular Photography ,1992-08 **Popular Photography** ,1992-10 **Popular Photography** ,1992-01

Reviewing **Panasonic Service Manual Electronic Board**: Unlocking the Spellbinding Force of Linguistics

In a fast-paced world fueled by information and interconnectivity, the spellbinding force of linguistics has acquired newfound prominence. Its capacity to evoke emotions, stimulate contemplation, and stimulate metamorphosis is actually astonishing. Within the pages of "**Panasonic Service Manual Electronic Board**," an enthralling opus penned by a highly acclaimed wordsmith, readers attempt an immersive expedition to unravel the intricate significance of language and its indelible imprint on our lives. Throughout this assessment, we shall delve to the book is central motifs, appraise its distinctive narrative style, and gauge its overarching influence on the minds of its readers.

<https://crm.avenza.com/data/publication/Documents/Pakistani%2010th%20Punjab%20Board%20Bahawalpur.pdf>

Table of Contents Panasonic Service Manual Electronic Board

1. Understanding the eBook Panasonic Service Manual Electronic Board
 - The Rise of Digital Reading Panasonic Service Manual Electronic Board
 - Advantages of eBooks Over Traditional Books
2. Identifying Panasonic Service Manual Electronic Board
 - Exploring Different Genres
 - Considering Fiction vs. Non-Fiction
 - Determining Your Reading Goals
3. Choosing the Right eBook Platform
 - Popular eBook Platforms
 - Features to Look for in an Panasonic Service Manual Electronic Board
 - User-Friendly Interface
4. Exploring eBook Recommendations from Panasonic Service Manual Electronic Board
 - Personalized Recommendations
 - Panasonic Service Manual Electronic Board User Reviews and Ratings
 - Panasonic Service Manual Electronic Board and Bestseller Lists

5. Accessing Panasonic Service Manual Electronic Board Free and Paid eBooks
 - Panasonic Service Manual Electronic Board Public Domain eBooks
 - Panasonic Service Manual Electronic Board eBook Subscription Services
 - Panasonic Service Manual Electronic Board Budget-Friendly Options
6. Navigating Panasonic Service Manual Electronic Board eBook Formats
 - ePub, PDF, MOBI, and More
 - Panasonic Service Manual Electronic Board Compatibility with Devices
 - Panasonic Service Manual Electronic Board Enhanced eBook Features
7. Enhancing Your Reading Experience
 - Adjustable Fonts and Text Sizes of Panasonic Service Manual Electronic Board
 - Highlighting and Note-Taking Panasonic Service Manual Electronic Board
 - Interactive Elements Panasonic Service Manual Electronic Board
8. Staying Engaged with Panasonic Service Manual Electronic Board
 - Joining Online Reading Communities
 - Participating in Virtual Book Clubs
 - Following Authors and Publishers Panasonic Service Manual Electronic Board
9. Balancing eBooks and Physical Books Panasonic Service Manual Electronic Board
 - Benefits of a Digital Library
 - Creating a Diverse Reading Collection Panasonic Service Manual Electronic Board
10. Overcoming Reading Challenges
 - Dealing with Digital Eye Strain
 - Minimizing Distractions
 - Managing Screen Time
11. Cultivating a Reading Routine Panasonic Service Manual Electronic Board
 - Setting Reading Goals Panasonic Service Manual Electronic Board
 - Carving Out Dedicated Reading Time
12. Sourcing Reliable Information of Panasonic Service Manual Electronic Board
 - Fact-Checking eBook Content of Panasonic Service Manual Electronic Board
 - Distinguishing Credible Sources
13. Promoting Lifelong Learning

- Utilizing eBooks for Skill Development
 - Exploring Educational eBooks
14. Embracing eBook Trends
- Integration of Multimedia Elements
 - Interactive and Gamified eBooks

Panasonic Service Manual Electronic Board Introduction

In today's digital age, the availability of Panasonic Service Manual Electronic Board books and manuals for download has revolutionized the way we access information. Gone are the days of physically flipping through pages and carrying heavy textbooks or manuals. With just a few clicks, we can now access a wealth of knowledge from the comfort of our own homes or on the go. This article will explore the advantages of Panasonic Service Manual Electronic Board books and manuals for download, along with some popular platforms that offer these resources. One of the significant advantages of Panasonic Service Manual Electronic Board books and manuals for download is the cost-saving aspect. Traditional books and manuals can be costly, especially if you need to purchase several of them for educational or professional purposes. By accessing Panasonic Service Manual Electronic Board versions, you eliminate the need to spend money on physical copies. This not only saves you money but also reduces the environmental impact associated with book production and transportation. Furthermore, Panasonic Service Manual Electronic Board books and manuals for download are incredibly convenient. With just a computer or smartphone and an internet connection, you can access a vast library of resources on any subject imaginable. Whether you're a student looking for textbooks, a professional seeking industry-specific manuals, or someone interested in self-improvement, these digital resources provide an efficient and accessible means of acquiring knowledge. Moreover, PDF books and manuals offer a range of benefits compared to other digital formats. PDF files are designed to retain their formatting regardless of the device used to open them. This ensures that the content appears exactly as intended by the author, with no loss of formatting or missing graphics. Additionally, PDF files can be easily annotated, bookmarked, and searched for specific terms, making them highly practical for studying or referencing. When it comes to accessing Panasonic Service Manual Electronic Board books and manuals, several platforms offer an extensive collection of resources. One such platform is Project Gutenberg, a nonprofit organization that provides over 60,000 free eBooks. These books are primarily in the public domain, meaning they can be freely distributed and downloaded. Project Gutenberg offers a wide range of classic literature, making it an excellent resource for literature enthusiasts. Another popular platform for Panasonic Service Manual Electronic Board books and manuals is Open Library. Open Library is an initiative of the Internet Archive, a non-profit organization dedicated to digitizing cultural artifacts and making them accessible to the public. Open Library hosts

millions of books, including both public domain works and contemporary titles. It also allows users to borrow digital copies of certain books for a limited period, similar to a library lending system. Additionally, many universities and educational institutions have their own digital libraries that provide free access to PDF books and manuals. These libraries often offer academic texts, research papers, and technical manuals, making them invaluable resources for students and researchers. Some notable examples include MIT OpenCourseWare, which offers free access to course materials from the Massachusetts Institute of Technology, and the Digital Public Library of America, which provides a vast collection of digitized books and historical documents. In conclusion, Panasonic Service Manual Electronic Board books and manuals for download have transformed the way we access information. They provide a cost-effective and convenient means of acquiring knowledge, offering the ability to access a vast library of resources at our fingertips. With platforms like Project Gutenberg, Open Library, and various digital libraries offered by educational institutions, we have access to an ever-expanding collection of books and manuals. Whether for educational, professional, or personal purposes, these digital resources serve as valuable tools for continuous learning and self-improvement. So why not take advantage of the vast world of Panasonic Service Manual Electronic Board books and manuals for download and embark on your journey of knowledge?

FAQs About Panasonic Service Manual Electronic Board Books

What is a Panasonic Service Manual Electronic Board PDF? A PDF (Portable Document Format) is a file format developed by Adobe that preserves the layout and formatting of a document, regardless of the software, hardware, or operating system used to view or print it. **How do I create a Panasonic Service Manual Electronic Board PDF?** There are several ways to create a PDF: Use software like Adobe Acrobat, Microsoft Word, or Google Docs, which often have built-in PDF creation tools. Print to PDF: Many applications and operating systems have a "Print to PDF" option that allows you to save a document as a PDF file instead of printing it on paper. Online converters: There are various online tools that can convert different file types to PDF. **How do I edit a Panasonic Service Manual Electronic Board PDF?** Editing a PDF can be done with software like Adobe Acrobat, which allows direct editing of text, images, and other elements within the PDF. Some free tools, like PDFescape or Smallpdf, also offer basic editing capabilities. **How do I convert a Panasonic Service Manual Electronic Board PDF to another file format?** There are multiple ways to convert a PDF to another format: Use online converters like Smallpdf, Zamzar, or Adobe Acrobats export feature to convert PDFs to formats like Word, Excel, JPEG, etc. Software like Adobe Acrobat, Microsoft Word, or other PDF editors may have options to export or save PDFs in different formats. **How do I password-protect a Panasonic Service Manual Electronic Board PDF?** Most PDF editing software allows you to add password protection. In Adobe Acrobat, for instance, you can go to "File" -> "Properties" ->

"Security" to set a password to restrict access or editing capabilities. Are there any free alternatives to Adobe Acrobat for working with PDFs? Yes, there are many free alternatives for working with PDFs, such as: LibreOffice: Offers PDF editing features. PDFsam: Allows splitting, merging, and editing PDFs. Foxit Reader: Provides basic PDF viewing and editing capabilities. How do I compress a PDF file? You can use online tools like Smallpdf, ILovePDF, or desktop software like Adobe Acrobat to compress PDF files without significant quality loss. Compression reduces the file size, making it easier to share and download. Can I fill out forms in a PDF file? Yes, most PDF viewers/editors like Adobe Acrobat, Preview (on Mac), or various online tools allow you to fill out forms in PDF files by selecting text fields and entering information. Are there any restrictions when working with PDFs? Some PDFs might have restrictions set by their creator, such as password protection, editing restrictions, or print restrictions. Breaking these restrictions might require specific software or tools, which may or may not be legal depending on the circumstances and local laws.

Find Panasonic Service Manual Electronic Board :

pakistani 10th punjab board bahawalpur

[palm treo 755p owners manual](#)

[pacing guide for high level kindergarten](#)

padep technical guidance manual

[pa german potato pancake recipe](#)

p6b40 a4x motherboard manual

[paec malawi past papers solutions](#)

[pajero 4m40 wiring](#)

[palestine inside out an everyday occupation](#)

[panasonic breadmaker sd bt55p manual](#)

[p68-observer flight manual](#)

[padi emergency first response instructor manual](#)

[palm iii matlab solutions manual](#)

[palm tree diagram](#)

[panasonic 42 plasma th 42px75u owners manual](#)

Panasonic Service Manual Electronic Board :

ornamental welded wire fences and gates ametco - Apr 10 2023

web e type ornamental steel fencing system consisting of welded wire mesh modular fence panels tubular steel posts and strap type panel fasteners and designed for basic and

montage fence gates ameristar perimeter - Aug 14 2023

web profusion welded ornamental steel fence montage fence panels are fabricated through a welding technique that combines laser and fusion technology to create a virtually

ornamental iron oakley fence co - Mar 09 2023

web welded ornamental steel fence versai residential steel fence system provides the perfect combination of high quality steel remarkable terrain adjusting ability and one of

montage plus warranty ameristar perimeter - Feb 25 2022

web welded ornamental fence ameristar s montage plus welded ornamental fences are manufactured from the highest quality materials by skilled craftsmen to meet the

construction specification ameristar perimeter - Nov 24 2021

web 1 03 system description the manufacturer shall supply a total fence system of montage ii welded and rackable atf all terrain flexibility ornamental steel

versai commercial v2 rackable welded ornamental fence - Dec 06 2022

web pickets are welded to the rails with a patented pin hinge system which allows the panel to rake without metal fatigue or damage to the finish all welded connections comply with

fence woodworking wikipedia - Jan 27 2022

web fences a fence is a part of many woodworking tools it is typically used to guide or secure a workpiece while it is being sawn planed routed or marked fences play an important

hanging fence installed to keep away wild elephants - Sep 03 2022

web mar 18 2019 wws warden n t sajan said the fence would help overcome the problem of jumbos destroying the previously used horizontal fences installed on the ground using

montage lifetime limited warranty ameristar perimeter - May 31 2022

web montage residential grade welded ornamental steel panels and posts are guaranteed under a limited lifetime warranty under normal and intended usage against cracking

construction specification ameristar perimeter - Dec 26 2021

web the manufactured fence system shall be capable of meeting the vertical load horizontal load and infill performance

requirements for residential weight fences under astm

grass fence manufacturer in istanbul turkey wallturf - Apr 29 2022

web as a grass fence manufacturer we are ready for you our valued customers with our privileged service from production to delivery decorative grass fence admin 2021

secure weldplus merchants metals - Nov 05 2022

web welded steel fence systems the secure weld and secure weld plus line of fence systems from merchants metals provide a complete selection of welded ornamental

versai residential rackable welded ornamental fence section - Jan 07 2023

web ornamental rackable welded steel fence system 1 02 related sections section 03 30 00 cast in place concrete section 31 30 00 earthwork astm f2408 standard

ameristar fence products montage plus hoover fence - Aug 02 2022

web the fence system shall conform to specify montage plus atf standard picket space or montage plus pool pet play 3 air space welded ornamental steel for standard

welded ornamental fencing system construction - Feb 08 2023

web welded ornamental fencing system 972 878 7000 betafenceusa com solutions for any project ornamental fencing is available with panel styles to meet a wide

steel fencing panels and posts gates accessories for perimeter - Jul 01 2022

web we supply high tensile steel fence welded wire mesh fencing systems steel field fences ornamental steel fencing chain link fencing wrought iron fences fence posts

agricultural fencing wikipedia - Mar 29 2022

web hog panel hog panels or cattle panels consist of heavy wire approximately 25 inches 6 mm or more in diameter running horizontal and vertical and welded at the intersections

merchants metals secure weld - Jun 12 2023

web welded steel fence systems an ideal choice for the value conscious consumer our secure weld ornamental steel systems are affordable resilient and low

prism 3d welded wire fence panels marco specialty steel - Oct 04 2022

web prism 3 d fencing systems also known as ornamental fence panels are an appealing low maintenance alternative to chain links the prism 3 d fence system incorporates

ametco - Oct 24 2021

web a type ornamental steel fencing system consisting of welded wire mesh modular fence panels tubular steel posts and u

shaped clamping strips and designed for high security
wireworks plus ameristar ameristar perimeter - Jul 13 2023

web the new standard in welded wire fencing wireworks plus is perfect for projects that require full visibility but need a more attractive profile than chain link each wireworks

ameristar fence products montage plus steel - May 11 2023

web the fence system shall conform to specify montage plus standard picket space or montage plus pool pet play 3 air space welded and rackable atf all terrain

international trade and commerce import export operations - Jan 08 2023

web explore the business economic and political forces dominating the burgeoning international marketplace and specialize in the field of import export operations international trade

exim guild export import academy management courses - Jul 02 2022

web certificate course in import export management helps in leadership development and skills and how to work practically india s best selling program in export and import

classroom certificate program export import management exim - Jan 28 2022

web sep 12 2023 certified program in export import management cpeim skills to enable you compete successfully in foreign markets designed for easy understanding and

online certificate programme in export import management - Mar 10 2023

web niryat bandhu hand holding scheme for new export import entrepreneurs online certificate programme in export import management under niryat bandhu scheme

certificate programme in export import - Aug 15 2023

web certificate programme in export import management hybrid february 2023 may 2023 indian institute of foreign trade deemed to be university under department of commerce govt of india iift ac in

certificate programme in export import management - Sep 04 2022

web certificate programme in export import management february 2015 may 2015 in order to upgrade the knowledge of working executives of export

certificate programme in export import management - Sep 23 2021

web certificate programme in export import management december 2020 march 2021 in order to upgrade the knowledge of working executives of export enterprises service

certificate program export import management online exim - Feb 26 2022

web sep 10 2023 certificate program export import management online become a certified export import professional stop

expensive mistakes take advantage of the

import export management certificate berkeley college - Feb 09 2023

web import export management certificate the import export management certificate provides students with the skills required to effectively manage and or work in

certificate program in export import management - Dec 07 2022

web certificate program in export import management online august december 2021 indian institute of foreign trade deemed to be university under department of commerce

certificate program in export import management we - Apr 11 2023

web we school offers 6 months certificate program in export import management this course will help you understand the finer details of export and import of goods at the

masters in import export management programs of iceel - Mar 30 2022

web syllabus of masters in import export management study course masters course covers the courses of 1 export import certificate course 2 import export diploma

certificate programmes iift - Jun 13 2023

web certificate programme in export import management november february and april july the programme aims at upgrading the knowledge of

export import certificate eic icc s international - Jul 14 2023

web it will benefit export and import managers trade finance bankers freight forwarders and carriers customs brokers private and government inspectors and auditors insurance

program export import certificate eic - Nov 06 2022

web the export import certificate eic provides comprehensive and practical knowledge on how to conduct export import transactions and manage an international business this

certificate programme in export import - Oct 25 2021

web the primary objective of the program is to build knowledge on the key aspects of export import management knowhow on international business market and buyer

certificate program in export import management - Oct 05 2022

web certificate program in export import management online march july 2021 indian institute of foreign trade deemed to be university

diploma in export and import management education india - Dec 27 2021

web jul 2 2018 graduate or equivalent diploma in export and import management is a diploma level export management

course the program gives a foundation to

certificate program in export import management course at - Apr 30 2022

web certificate program in export import management is a six month long course with three different learning schedules and personal contact programs to provide maximum

export import management courses online syllabus fees - Jun 01 2022

web many online platforms offer management courses with zero fees their programs are totally free and can be accessed in some cases for unlimited time the top

certificate in export import management university kart - Aug 03 2022

web a certificate course in export management is a one year program that offers students a foundational understanding of international business and the complexities of managing

iift tpci launch certificate programme in agri import export - Nov 25 2021

web sep 5 2021 the certificate program in agri import export management is being offered by the indian institute of foreign trade in collaboration with the trade promotion

certificate programme in export import management april iift - May 12 2023

web certificate programme in export import management april july 2022 in order to upgrade the knowledge of working executives of export enterprises service agencies

[the history of graphic design ediz italiana e spa copy](#) - Jul 04 2022

web fifth edition of meggs history of graphic design offers even more detail and breadth of content than its heralded predecessors revealing a saga of creative innovators breakthrough

the history of graphic design ediz italiana e spa pdf 2023 - Apr 01 2022

web jun 14 2023 it is your agreed own era to performance reviewing habit in the course of guides you could enjoy now is the history of graphic design ediz italiana e spa pdf below the history of graphic design ediz italiana e spa pdf web renowned graphic designer and author louise fili takes us on a personal tour through her most famous

the history of graphic design ediz italiana e spa origin staging - Nov 08 2022

web the history of graphic design ediz italiana e spa teaching graphic design history patternalia graphic design history thoughts on design graphic design in the twentieth century graphic design a century of graphic design a history of arab graphic design meggs history of graphic design the history of graphic design 40th ed

the history of graphic design ediz italiana e spa pivotid uvu - Aug 05 2022

web fascinating exploration of this fundamental aspect of graphic design the layout book explains the hows whys and why nots of the placing of elements on a page or screen layout historical overview of the subject is followed by a systematic look

at key theoretical principles and practical applications

the history of graphic design ediz italiana e spa 2023 - Feb 11 2023

web the history of graphic design ediz italiana e spa imitatio vitae aug 13 2020 an exceptionally luxurious slipcased celebration of the enchanting carved capitals of the doge s palace in venice presented in a luminous perspex slipcase with gilt

pdf the history of graphic design ediz italiana e spa - Jun 15 2023

web the history of graphic design ediz italiana e spa graphic design history may 16 2023 graphic design history traces the social and cultural role of visual communication from prehistory to the present connecting what designers do every day to a history of innovative graphic forms and effects it offers a

the history of graphic design ediz italiana e spa copy - Feb 28 2022

web the history of graphic design ediz italiana e spa best graphic design courses certifications 2023 coursera nov 24 2021

web graphic design skills you ll gain computer graphics graphic design research and design visual design brand management creativity entrepreneurship graphics software marketing 4 7 19 4k reviews beginner specialization 3 6

the history of graphic design print magazine - Dec 09 2022

web mar 27 2013 remington points out that william addison dwiggins coined the term graphic design in 1922 and he credits leon friend s 1936 book graphic design as the earliest comprehensive description of the field

the history of graphic design ediz italiana e spa pivotid uvu - Jul 16 2023

web the history of graphic design ediz italiana e spa reviewing the history of graphic design ediz italiana e spa unlocking the spellbinding force of linguistics in a fast paced world fueled by information and interconnectivity the spellbinding force of linguistics has acquired newfound prominence

the hidden history of graphic design design museum everywhere - Mar 12 2023

web understanding current trends and oppressions in design goes hand in hand with understanding its origins while design history is often seen as starting with western driven printing technology the base of commercial design was

the history of graphic design ediz italiana e spa pdf free - Jun 03 2022

web history of graphic design a brief history of graphic design history of graphic design the term graphic design was coined in 1922 but it has been a part of human communication for centuries and it is the fastest growing of all design careers graphic design the process of organizing and composing words and

the history of graphic design ediz italiana e spa pdf - Oct 19 2023

web oct 22 2023 the history of graphic design ediz italiana e spa how to be an explorer of the world keri smith 2008 10 07 from the internationally bestselling creator of wreck this journal an interactive guide for exploring and documenting the art

and science of everyday life artists and scientists analyze the world around them in surprisingly

the history of graphic design ediz italiana e spa silvia barbero - Oct 07 2022

web the history of graphic design ediz italiana e spa the history of graphic design ediz italiana e spa 3 downloaded from old restorativejustice.org on 2021 12 09 by guest highlight the most current research and technological breakthroughs covering a broad range of renewable energy technologies and applications in all

the history of graphic design ediz italiana e spa download - Aug 17 2023

web a history of graphic design laurence king publishing one of the seminal texts of graphic design paul rand s thoughts on design is now available for the first time since the 1970s

the history of graphic design ediz italiana e spa pdf pdf - May 14 2023

web jun 18 2023 the history of graphic design ediz italiana e spa pdf thank you very much for downloading the history of graphic design ediz italiana e spa pdf maybe you have knowledge that people have look numerous times for their chosen readings like this the history of graphic design ediz italiana e spa pdf but end up in malicious

the history of graphic design ediz italiana e spa susanna sarti - Sep 06 2022

web introduction to graphic design this is the story of how the designer massimo vignelli tackled the problem of creating a subway map that could be understood by all new yorkers as well as out of towners filled with depictions of trains subway stations and the new york city skyline the book follows vignelli around the city as he tries

history of graphic design wikipedia - Jan 10 2023

web the history of graphic design is frequently traced from the onset of moveable type printing in the 15th century yet earlier developments and technologies related to writing and printing can be considered as parts of the longer history of communication

the history of graphic design ediz italiana e spa pdf 2023 - May 02 2022

web jul 10 2023 the history of graphic design ediz italiana e spa pdf is available in our digital library an online access to it is set as public so you can download it instantly our books collection saves in multiple countries allowing you to get the most less latency time to

your ultimate guide to the history of graphic design canva - Apr 13 2023

web according to the merriam webster dictionary graphic design is the art or profession of using design elements such as typography and images to convey information or create an effect historians can trace the origins of graphic design all the way back to cave paintings in 38 000 bce however with a focus on business and marketing we

the history of graphic design wikipedia - Sep 18 2023

web the history of graphic design outlines the development of graphic design as a field and explores cultural history from the

late 19th through the early 21st century through the lens of graphic design the evolution of graphic design from posters and advertising to logos magazine design and corporate identity