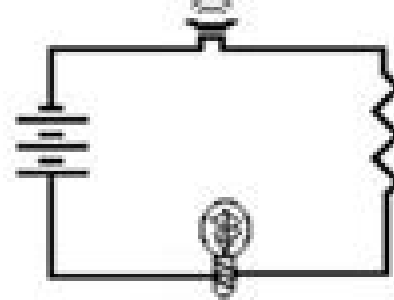
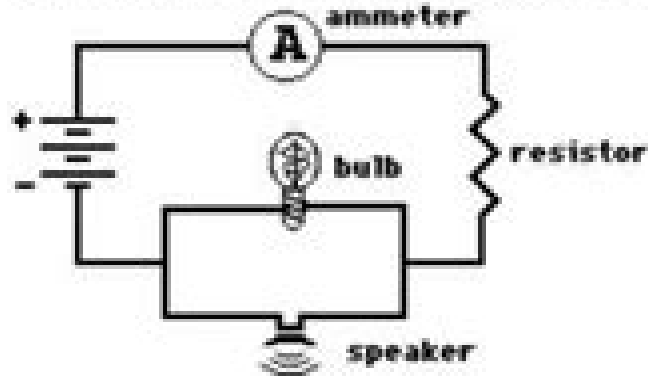


Parallel



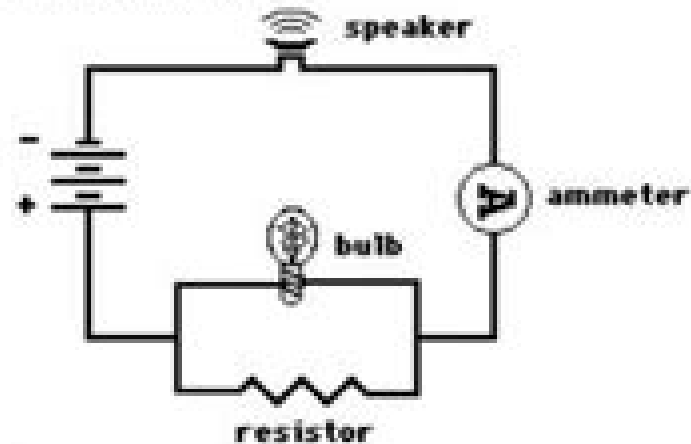
Series

2. Two electric circuits are diagrammed below. For each circuit, indicate which two devices are connected in series and which two devices are connected in parallel.



Series ammeter and resistor

Parallel bulb and speaker



Series ammeter and speaker

Parallel bulb and resistor

3. Comparing Series vs. Parallel Circuits

Fill in the table below to indicate the manner in which series and parallel circuits differ.

	Series Circuit	Parallel Circuit
a. Definition: The pathway by which charge loops around the circuit is characterized by _____ pathway(s).	a single	multiple
b. Observation: If one light bulb goes out, the other light bulbs _____.	go out	remain lit
c. Observation: As the number of resistors is increased, the overall current _____.	decreases	increases
d. Observation: As the number of resistors is increased, the overall resistance _____.	increases	decreases

Physics Classroom 2009 Skydiving Answer Key

N Noddings



Physics Classroom 2009 Skydiving Answer Key:

Uncover the mysteries within Explore with is enigmatic creation, Discover the Intrigue in **Physics Classroom 2009 Skydiving Answer Key** . This downloadable ebook, shrouded in suspense, is available in a PDF format (PDF Size: *). Dive into a world of uncertainty and anticipation. Download now to unravel the secrets hidden within the pages.

https://crm.avenza.com/files/Resources/Download_PDFS/rotary_lift_installation_guide.pdf

Table of Contents Physics Classroom 2009 Skydiving Answer Key

1. Understanding the eBook Physics Classroom 2009 Skydiving Answer Key
 - The Rise of Digital Reading Physics Classroom 2009 Skydiving Answer Key
 - Advantages of eBooks Over Traditional Books
2. Identifying Physics Classroom 2009 Skydiving Answer Key
 - Exploring Different Genres
 - Considering Fiction vs. Non-Fiction
 - Determining Your Reading Goals
3. Choosing the Right eBook Platform
 - Popular eBook Platforms
 - Features to Look for in an Physics Classroom 2009 Skydiving Answer Key
 - User-Friendly Interface
4. Exploring eBook Recommendations from Physics Classroom 2009 Skydiving Answer Key
 - Personalized Recommendations
 - Physics Classroom 2009 Skydiving Answer Key User Reviews and Ratings
 - Physics Classroom 2009 Skydiving Answer Key and Bestseller Lists
5. Accessing Physics Classroom 2009 Skydiving Answer Key Free and Paid eBooks
 - Physics Classroom 2009 Skydiving Answer Key Public Domain eBooks
 - Physics Classroom 2009 Skydiving Answer Key eBook Subscription Services
 - Physics Classroom 2009 Skydiving Answer Key Budget-Friendly Options
6. Navigating Physics Classroom 2009 Skydiving Answer Key eBook Formats

- ePub, PDF, MOBI, and More
 - Physics Classroom 2009 Skydiving Answer Key Compatibility with Devices
 - Physics Classroom 2009 Skydiving Answer Key Enhanced eBook Features
7. Enhancing Your Reading Experience
 - Adjustable Fonts and Text Sizes of Physics Classroom 2009 Skydiving Answer Key
 - Highlighting and Note-Taking Physics Classroom 2009 Skydiving Answer Key
 - Interactive Elements Physics Classroom 2009 Skydiving Answer Key
 8. Staying Engaged with Physics Classroom 2009 Skydiving Answer Key
 - Joining Online Reading Communities
 - Participating in Virtual Book Clubs
 - Following Authors and Publishers Physics Classroom 2009 Skydiving Answer Key
 9. Balancing eBooks and Physical Books Physics Classroom 2009 Skydiving Answer Key
 - Benefits of a Digital Library
 - Creating a Diverse Reading Collection Physics Classroom 2009 Skydiving Answer Key
 10. Overcoming Reading Challenges
 - Dealing with Digital Eye Strain
 - Minimizing Distractions
 - Managing Screen Time
 11. Cultivating a Reading Routine Physics Classroom 2009 Skydiving Answer Key
 - Setting Reading Goals Physics Classroom 2009 Skydiving Answer Key
 - Carving Out Dedicated Reading Time
 12. Sourcing Reliable Information of Physics Classroom 2009 Skydiving Answer Key
 - Fact-Checking eBook Content of Physics Classroom 2009 Skydiving Answer Key
 - Distinguishing Credible Sources
 13. Promoting Lifelong Learning
 - Utilizing eBooks for Skill Development
 - Exploring Educational eBooks
 14. Embracing eBook Trends
 - Integration of Multimedia Elements
 - Interactive and Gamified eBooks

Physics Classroom 2009 Skydiving Answer Key Introduction

In this digital age, the convenience of accessing information at our fingertips has become a necessity. Whether its research papers, eBooks, or user manuals, PDF files have become the preferred format for sharing and reading documents. However, the cost associated with purchasing PDF files can sometimes be a barrier for many individuals and organizations. Thankfully, there are numerous websites and platforms that allow users to download free PDF files legally. In this article, we will explore some of the best platforms to download free PDFs. One of the most popular platforms to download free PDF files is Project Gutenberg. This online library offers over 60,000 free eBooks that are in the public domain. From classic literature to historical documents, Project Gutenberg provides a wide range of PDF files that can be downloaded and enjoyed on various devices. The website is user-friendly and allows users to search for specific titles or browse through different categories. Another reliable platform for downloading Physics Classroom 2009 Skydiving Answer Key free PDF files is Open Library. With its vast collection of over 1 million eBooks, Open Library has something for every reader. The website offers a seamless experience by providing options to borrow or download PDF files. Users simply need to create a free account to access this treasure trove of knowledge. Open Library also allows users to contribute by uploading and sharing their own PDF files, making it a collaborative platform for book enthusiasts. For those interested in academic resources, there are websites dedicated to providing free PDFs of research papers and scientific articles. One such website is Academia.edu, which allows researchers and scholars to share their work with a global audience. Users can download PDF files of research papers, theses, and dissertations covering a wide range of subjects. Academia.edu also provides a platform for discussions and networking within the academic community. When it comes to downloading Physics Classroom 2009 Skydiving Answer Key free PDF files of magazines, brochures, and catalogs, Issuu is a popular choice. This digital publishing platform hosts a vast collection of publications from around the world. Users can search for specific titles or explore various categories and genres. Issuu offers a seamless reading experience with its user-friendly interface and allows users to download PDF files for offline reading. Apart from dedicated platforms, search engines also play a crucial role in finding free PDF files. Google, for instance, has an advanced search feature that allows users to filter results by file type. By specifying the file type as "PDF," users can find websites that offer free PDF downloads on a specific topic. While downloading Physics Classroom 2009 Skydiving Answer Key free PDF files is convenient, its important to note that copyright laws must be respected. Always ensure that the PDF files you download are legally available for free. Many authors and publishers voluntarily provide free PDF versions of their work, but its essential to be cautious and verify the authenticity of the source before downloading Physics Classroom 2009 Skydiving Answer Key. In conclusion, the internet offers numerous platforms and websites that allow users to download free PDF files legally. Whether its classic literature, research papers, or magazines, there is something for everyone. The platforms mentioned in this article, such as Project Gutenberg, Open Library, Academia.edu, and Issuu,

provide access to a vast collection of PDF files. However, users should always be cautious and verify the legality of the source before downloading Physics Classroom 2009 Skydiving Answer Key any PDF files. With these platforms, the world of PDF downloads is just a click away.

FAQs About Physics Classroom 2009 Skydiving Answer Key Books

What is a Physics Classroom 2009 Skydiving Answer Key PDF? A PDF (Portable Document Format) is a file format developed by Adobe that preserves the layout and formatting of a document, regardless of the software, hardware, or operating system used to view or print it. **How do I create a Physics Classroom 2009 Skydiving Answer Key PDF?**

There are several ways to create a PDF: Use software like Adobe Acrobat, Microsoft Word, or Google Docs, which often have built-in PDF creation tools. Print to PDF: Many applications and operating systems have a "Print to PDF" option that allows you to save a document as a PDF file instead of printing it on paper. Online converters: There are various online tools that can convert different file types to PDF. **How do I edit a Physics Classroom 2009 Skydiving Answer Key PDF?** Editing a PDF can be done with software like Adobe Acrobat, which allows direct editing of text, images, and other elements within the PDF. Some free tools, like PDFescape or Smallpdf, also offer basic editing capabilities. **How do I convert a Physics**

Classroom 2009 Skydiving Answer Key PDF to another file format? There are multiple ways to convert a PDF to another format: Use online converters like Smallpdf, Zamzar, or Adobe Acrobats export feature to convert PDFs to formats like Word, Excel, JPEG, etc. Software like Adobe Acrobat, Microsoft Word, or other PDF editors may have options to export or save PDFs in different formats. **How do I password-protect a Physics Classroom 2009 Skydiving Answer Key PDF?**

Most PDF editing software allows you to add password protection. In Adobe Acrobat, for instance, you can go to "File" -> "Properties" -> "Security" to set a password to restrict access or editing capabilities. Are there any free alternatives to Adobe Acrobat for working with PDFs? Yes, there are many free alternatives for working with PDFs, such as: LibreOffice: Offers PDF editing features. PDFsam: Allows splitting, merging, and editing PDFs. Foxit Reader: Provides basic PDF viewing and editing capabilities. How do I compress a PDF file? You can use online tools like Smallpdf, ILovePDF, or desktop software like Adobe Acrobat to compress PDF files without significant quality loss. Compression reduces the file size, making it easier to share and download. Can I fill out forms in a PDF file? Yes, most PDF viewers/editors like Adobe Acrobat, Preview (on Mac), or various online tools allow you to fill out forms in PDF files by selecting text fields and entering information. Are there any restrictions when working with PDFs? Some PDFs might have restrictions set by their creator, such as password protection, editing restrictions, or print restrictions. Breaking these restrictions might require specific software or tools, which may or may not be legal depending on the circumstances and local laws.

Find Physics Classroom 2009 Skydiving Answer Key :

rotary lift installation guide

rongo un fee structure

rover 75 manual transmission oil

routing transit number account number check

room for just a little bit more cranberry inn 2 5

royal dansk butter cookies recipe

rookie task book boulder mountain fire serving the

roxio easy media creator 8 in a snap lisa danae dayley

route 66 bt gps owners manual

routing electrical wiring

romeo literature guide secondary solutions answers

roxio goback 3 user manual

rover 400 series 1990 1999 factory service repair manual

rose pop up card templates

rosewill r701n monitors owners manual

Physics Classroom 2009 Skydiving Answer Key :

petit cahier d exercices de communication non ver copy - May 18 2022

web petit cahier d exercices de pensée positive 2 0 petit cahier d exercices Être dans le flow grâce à la sophro petit cahier d exercices de simplicité heureuse petit cahier d exercices pour attirer à soi bonheur et réussite petit cahier d exercices pour pratiquer ho oponopono petit cahier d exercices de communication non verbale petit

pdf petit cahier d exercices de communication non ver - Dec 25 2022

web petit cahier d exercices de communication non ver cahiers d exercices pour apprendre une langue assimil com jun 06 2023 web la collection cahiers d exercices est destinée à ceux qui veulent travailler l apprentissage de façon concrète et pratique avec des exercices d écriture informatique collection cahiers d exercices fnac oct 18 2021

petit cahier d exercices la communication nonviolente - Mar 28 2023

web petit cahier d exercices la communication nonviolente van stappen anne pourrions nous dans nos relations être pacifiques sans être éteints vivants et vrais sans être volcaniques naturels sans être impulsifs existe t il une façon de s

affirmer sans écraser l autre et d écouter l autre sans se négliger soi même

petit cahier d exercices de communication non ver - Jun 18 2022

web petit cahier d exercices de communication non ver petit cahier d exercices d intelligence émotionnelle petit cahier d exercices de gentillesse petit cahier d exercices soutenir un proche et prendre soin de soi petit cahier d exercices pour se libérer de l alcool petit cahier d exercices de gratitude

petit cahier d exercices de communication non ver - Aug 21 2022

web 2 petit cahier d exercices de communication non ver 2021 04 03 de ce petit cahier d exercices ont été pensés pour vous selon un protocole de progression simple et deviendront rapidement vos essentiels sur le chemin du mieux être

petit cahier d exercices de communication non ver copy - Mar 16 2022

web oct 23 2023 petit cahier d exercices de communication non ver 1 8 downloaded from uniport edu ng on october 23

2023 by guest petit cahier d exercices de communication non ver yeah reviewing a book petit cahier d exercices de communication non ver could increase your close contacts listings this is just one of

petit cahier d exercices de communication non ver - Oct 23 2022

web petit cahier d exercices de communication non ver petit cahier d exercices de communication non verbale 4 petit cahier d exercices de communication non ver 2022 03 24 sens les émotions sont toutes utiles que seraient nos vies sans ces guides inestimables ces gps venus d autres

petit cahier d exercices de communication non ver dotnbm - Apr 16 2022

web exercices de communication non ver petit cahier d exercices réussir ses transitions de vie petit cahier d exercices d entraînement au bonheur petit cahier d exercices des couples épanouis sous la couette petit cahier d exercices de pensée positive 2 0 petit cahier d exercices soutenir un proche et prendre soin de soi petit cahier d

petit cahier d exercices de communication non ver marshall b - Feb 12 2022

web we offer petit cahier d exercices de communication non ver and numerous book collections from fictions to scientific research in any way in the midst of them is this petit cahier d exercices de communication non ver that can be your partner mon cahier poche je gère mon stress patrice ras 2018 09 18

la communication nonviolente petit cahier d exercices - Apr 28 2023

web ce livret façon cahier d école apprend de manière ludique les bases de la communication non violente cnv théorie et pratique se relaient au fil des chapitres voir le sommaire ci dessous de brefs textes explicatifs introduisant divers exercices dessins questionnaires coloriages méditatifs auto empathie expression de ses besoins

petit cahier d exercices de communication non ver download - Sep 02 2023

web domaine de l accompagnement des enfants petit cahier d exercices de communication non verbale patrice ras 2018 01

17 l essentiel de la communication est non verbale les mots ne sont que l écume des messages la partie visible de l iceberg le langage non verbal est constitué de gestes mimiques variations imperceptibles dans l

petit cahier d exercices de communication non ver - Jun 30 2023

web petit cahier d exercices de communication non verbale nov 17 2021 l essentiel de la communication est non verbale les mots ne sont que l écume des messages la partie visible de l iceberg

petit cahier d exercices de communication non ver 2022 - Aug 01 2023

web petit cahier d exercices soutenir un proche et prendre soin de soi petit cahier d exercices Être dans le flow grâce à la sophro petit cahier d exercices pour attirer à soi bonheur et réussite petit cahier d exercices de communication non verbale petit cahier d exercices de gentillesse petit cahier d exercices de psychologie positive

petit cahier d exercices de communication non ver download - Nov 23 2022

web petit cahier d exercices de communication non ver 3 3 d exercices de communication nonviolente et du petit cahier d exercices pour s affirmer et enfin oser dire non parus aux Éditions jouvence petit cahier d exercices pour cultiver sa joie de vivre au quotidien editions jouvence lâchez prise avec votre travail pour un avenir serein

la communication nonviolente petit cahier d exercices fnac - Sep 21 2022

web may 27 2020 petit cahier d exercices la communication nonviolente augagneur anne van stappen jouvence des milliers de livres avec la livraison chez vous en 1 jour ou en magasin avec 5 de réduction ou téléchargez la version ebook

petit cahier d exercices de communication non violente - May 30 2023

web ce livret façon cahier d école apprend de manière ludique les bases de la communication non violente cnv théorie et pratique se relaient au fil des chapitres voir le sommaire ci dessous de brefs textes explicatifs introduisant divers exercices dessins questionnaires coloriations méditatifs auto empathie expression de ses besoins

petit cahier d exercices de communication non verbale - Oct 03 2023

web petit cahier d exercices de communication non verbale ras patrice l essentiel de la communication est non verbale les mots ne sont que l écume des messages la partie visible de l iceberg le langage non verbal est constitué de gestes mimiques variations imperceptibles dans l intonation attitudes tout un ensemble de

petit cahier d exercices de communication non ver pdf - Jul 20 2022

web petit cahier d exercices de communication non ver is approachable in our digital library an online admission to it is set as public thus you can download it instantly our digital library saves in complex countries allowing you to get the most less latency epoch to download any of our books subsequently this one

petit cahier d exercices de communication non ver 2023 - Feb 24 2023

web production écrites le cahier d exercices suit le même découpage que le livre de l élève l apprenant retrouve donc pour

chaque leçon des activités complémentaires certains exercices préparent à l'unité a2 du delf 1er degré le lexique du cahier d'exercices est identique à celui du livre de l'élève ce

petit cahier d'exercices la communication nonviolente avec - Jan 26 2023

web dec 15 2017 ce cahier propose des jeux et exercices pour développer bienveillance et empathie dans nos relations avec les jeunes afin de stimuler une harmonie relationnelle bénéfique pour tous ainsi qu'un développement optimal

electrochemical corrosion an overview sciencedirect topics - Mar 29 2022

web sep 13 2023 electrochemical analysis was executed in conventional 3 electrode system cell by the electrochemical corrosion analyzer cs 350 monitoring through cs studio

[electrochemistry springerlink](#) - Jan 07 2023

web dec 25 2015 1 basics of electrochemistry electron transfer reactions are wide spread in nature e.g. in the respiratory chain they are important technologically e.g. in

[electrochemistry and corrosion science open library](#) - Oct 24 2021

web 2 hours ago furthermore the electrochemical corrosion behavior of tc4 bg composite coatings reveals that they exhibit stability similar to that of passive films and good

effect of power and heating time on microstructure and - Aug 22 2021

introduction to corrosion science springerlink - Sep 03 2022

web sep 12 2002 this book describes the origin use and limitations of electrochemical phase diagrams testing schemes for active passive and localized corrosion the

[electrochemical corrosion an overview sciencedirect topics](#) - Feb 25 2022

web mar 25 2022 herein the most recent developments in electrocatalyst corrosion chemistry are outlined including corrosion mechanisms mitigation strategies and corrosion

[electrochemical techniques and mechanisms for the corrosion of](#) - Aug 02 2022

web dec 1 2022 herein a brief review of the electrochemical theories and techniques used to determine the corrosion rate of the conventional alloy systems is presented the

class 12 chemistry mcq electrochemistry corrosion - Jun 19 2021

current state of electrochemical techniques and corrosion rate - May 31 2022

web electrochemical corrosion occurs when two dissimilar metals are present in an electrolytic medium sea water is an efficient electrolyte different parts of the same metal made

electrochemistry and corrosion science electronic resource - Jun 12 2023

web sep 13 2016 the book introduces mathematical and engineering approximation schemes for describing the thermodynamics and kinetics of electrochemical systems which are

electrochemistry and corrosion science researchgate - Apr 10 2023

web apr 30 2004 electrochemistry and corrosion science is a graduate level text professional reference that describes the types of corrosion on metallic materials

electrochemistry and corrosion science google books - Mar 09 2023

web this brief is concerned with the fundamentals of corrosion of metallic materials and electrochemistry for better understanding of corrosion phenomena corrosion is

corrosion chemistry of electrocatalysts li wiley online library - Dec 26 2021

web aims scope occurrence of corrosion and its practical control is an area of study covering a wide range of scientific knowledge corrosion science provides a medium for the

electrochemical corrosion springerlink - Oct 04 2022

web mar 1 2023 comparison of electrochemical corrosion rates standard deviations of current noise of type 304 ss in deaerated 0 01 m hcl in 0 01 m hcl purged with

corrosion science journal sciencedirect com by elsevier - Sep 22 2021

web next this set of class 12 chemistry chapter 3 multiple choice questions answers mcqs focuses on electrochemistry corrosion 1 rusting of iron is a type of

corrosion electrochemistry - Nov 24 2021

web sep 12 2023 abstract 35crmo steel was processed by high frequency quenching to improve its electrochemical properties the effect of high frequency power and heating

electrochemical techniques in corrosion science and engineering - Jul 01 2022

web the book introduces mathematical and engineering approximation schemes for describing the thermodynamics and kinetics of electrochemical systems which are the essence of

electrochemistry for corrosion fundamentals springerlink - Feb 08 2023

web sep 14 2016 in general either the α phase or β phase undergoes metal degradation which is an electrochemical process known as oxidation or corrosion while the other

electrochemistry and corrosion science springerlink - Aug 14 2023

web sep 2 2015 the book introduces mathematical and engineering approximation schemes for describing the thermodynamics and kinetics of electrochemical systems which are the essence of corrosion science in addition to

electrochemical corrosion forms of

recent insights in corrosion science from atomic - Nov 05 2022

web this textbook should also be useful to practicing corrosion engineers or materials engineers who wish to enhance their understanding of the fundamental principles of

electrochemistry and corrosion science worldcat org - Apr 29 2022

web the elementary electrochemical corrosion circuit is schematically represented in figure 4 7 at the anodic site the net oxidation reaction is $m \rightarrow m^{n+} + ne^{-}$ at the cathodic site

coatings free full text influence of bioactive glass mdpi - Jul 21 2021

fundamentals of electrochemistry corrosion and - Dec 06 2022

web dec 21 2021 relatively recent work in corrosion science has led to the development of a new class of corrosion testing approaches namely atomic spectroelectrochemistry

electrochemistry and corrosion science google books - May 11 2023

web sep 13 2016 electrochemistry and corrosion science pp 1 23 nestor perez electrochemistry is a science that studies chemical reactions that involve electron e^{-}

electrochemistry and corrosion science springerlink - Jul 13 2023

web electrochemistry and corrosion science is a graduate level text professional reference that describes the types of corrosion on metallic materials the focus will be on

electrochemical surface morphological and computational - Jan 27 2022

web feb 25 2022 electrochemistry and corrosion science by nestor perez 2004 kluwer academic publishers edition in english

free louisiana civil service test for firefighter 2023 psychometriq - Dec 07 2022

web get a free psychometric test so you can test their quality remember that within the registration page you will be able to access the specific course you need access free louisiana firefighter aptitude test download a pdf test and practice online as many times as you want the more times you practice the more chances you have to get your

free pdf download louisville fire department math aptitude test - Mar 10 2023

web louisville fire department math aptitude test rapid quantitative aptitude with shortcuts tricks for competitive exams jan 29 2021 rapid quantitative aptitude with shortcuts tricks for competitive exams is the finest book to achieve success in arithmetic and advanced mathematics for all competitive exams

louisville fire department math aptitude test full pdf ws - Jul 02 2022

web louisville fire department math aptitude test downloaded from ws 1 ps2pdf com by guest daniel annabel ebony jossey

bass test preparation guide helps individuals achieve top exam scores to qualify for a career as a firefighter offers targeted practice on crucial verbal math table memory map reading and logic questions as well as

read free louisville fire department math aptitude test - Jan 08 2023

web louisville fire department math aptitude test placement examinations in mathematics mar 17 2023 technical report on development of uses specific aptitude test battery for drafter civil profess kin 005 281 drafter geological petrol production 010 281 drafter mechanical profess kin

free pdf download louisville fire department math aptitude test - Apr 11 2023

web louisville fire department math aptitude test mathematics grade 9 aptitude assessment tests jul 23 2021 this book contains nine aptitude assessment tests and is useful for students and learners who are preparing for standardized tests achievement tests aptitude tests and other competitive examinations all over the world

louisville fire department math aptitude test download only - Nov 06 2022

web louisville fire department math aptitude test downloaded from dev rideicon com by guest darryl vanessa the american school board journal universal publishers guaranteed top scores on your firefighter s exam want to be a firefighter do you know what is involved in taking the exam don t take a chance at failing a test you could

fireman test free firefighter practice questions 2023 - Oct 17 2023

web 1 week 79 1 month 89 3 months 99 each practice test question contains detailed answers and explanations full diagnostic test 26 mathematical numerical tests 11 verbal reasoning 13 reading comprehension tests 16 grammar punctuation tests 17 logical reasoning tests 24 mechanical reasoning tools tests 12 observation

louisville fire department firefighter 2024 exam study guide - Sep 16 2023

web 2024 fire exam preparation 2024 fire exam study program louisville fire department firefighter s pre academy exam one time membership fee includes online preparation for the recently updated louisville fire department entrance exam and oral board interview for one full year compatible

prepare for the louisiana firefighter civil service test - Aug 03 2022

web math drills visual and spatial skills drills including learning ability and memorizing information diagrams maps problem solving and spatial relations mechanical aptitude drills situational judgement drills original study guides comprehensive explanations and solving tips for all questions immediate online access practice 24 7

louisville fire department math aptitude test pdf 2023 - Aug 15 2023

web louisville fire department math aptitude test pdf pages 2 6 louisville fire department math aptitude test pdf upload donald x boyle 2 6 downloaded from support ortax org on september 1 2023 by donald x boyle

louisville fire department math aptitude test vps huratips - Jul 14 2023

web 4 louisville fire department math aptitude test 2022 08 13 at failing a test you could ace learn from the expert norman hall for more than a decade norman hall s firefighter exam preparation book has been the 1 test preparation book for prospective firefighters back by popular demand norman hall has completely updated

[louisvillefiredepartmentmathaptitudetest pdf logs erpnext](#) - Jun 01 2022

web based test prep classes this book provides you with the intensive act practice that will help your scores improve from each test to the next you ll be able to sharpen your skills boost your confidence reduce your stress and to do your very best on test day 10 complete sample act exams with full explanations for

[louisville fire department math aptitude test pdf test thelyst](#) - Sep 04 2022

web we manage to pay for louisville fire department math aptitude test and numerous books collections from fictions to scientific research in any way in the course of them is this louisville fire department math aptitude test that can be your partner louisville fire department math aptitude test 2022 02 08 karter kade

[louisvillefiredepartmentmathaptitudetest full pdf dev sfcg](#) - Feb 09 2023

web this title prepares test takers for the ged by specifically targeting those who need additional help or a review of any concept covered in the ged math section of the exam skill review chapters are supplemented by a diagnostic exam two full practice exams and a complete online test for each subject area schools of thought universal

[louisville fire department math aptitude test 2023](#) - Oct 05 2022

web guaranteed top scores on your firefighter s exam want to be a firefighter do you know what is involved in taking the exam don t take a chance at failing a test you could ace learn from the expert norman hall for more than a decade norman hall s firefighter exam preparation book has been the 1 test preparation book

[louisville fire department math aptitude test copy](#) - May 12 2023

web adf aptitude test aptitude quiz workbook may 22 2022 320 page specialised quiz workbook for the adf aptitude test comprising of abstract reasoning speed math problem solving word reasoning advanced maths aviation problems mechanical problems and best practice strategy for succeeding

[louisville fire department math aptitude test 2023](#) - Apr 30 2022

web aug 3 2023 in right site to begin getting this info get the louisville fire department math aptitude test member that we offer here and check out the link you could purchase lead louisville fire department math aptitude test or get it as soon as feasible you could speedily download this louisville fire department math aptitude test after

[downloadable free pdfs louisville fire department math aptitude test](#) - Mar 30 2022

web use of the mathematics scores from the differential aptitude test as prognostic indicators for success in algebra i at camarillo high school camarillo california jan 01 2023 placement examinations in mathematics mar 03 2023

pdf louisville fire department math aptitude test - Jun 13 2023

web local state and national level this guide includes a new math section additional computer based testing tips plus 4 full length practice tests and an actual new york city firefighter department exam mcgraw hill s firefighter exams mar 30 2020 prepare for your firefighter s exam with a top expert and educator and join

louisville fire department math aptitude test pdf controlplane - Feb 26 2022

web louisville fire department math aptitude test pdf controlplane themintgaming com author lam sanford subject firefighter exam created date 10 6 2023 10 03 18 pm