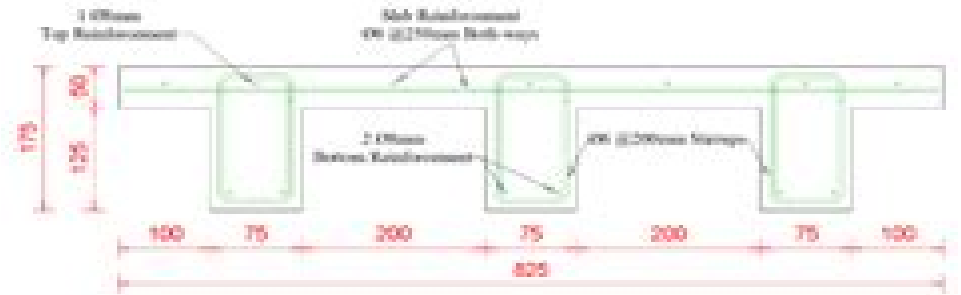
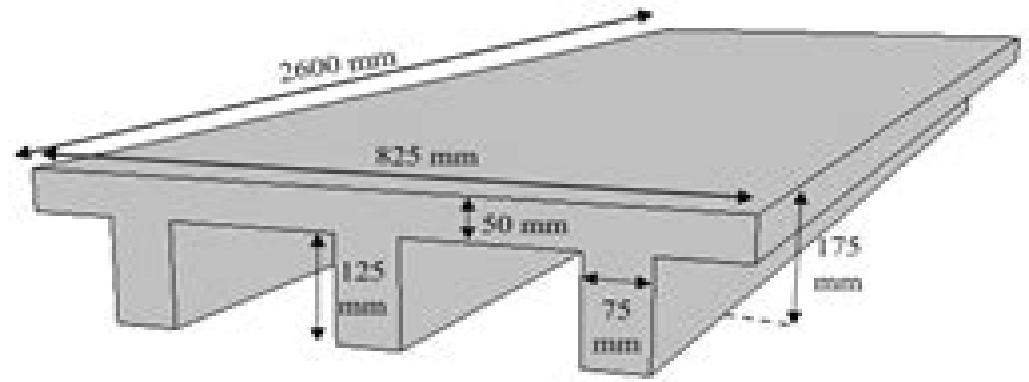


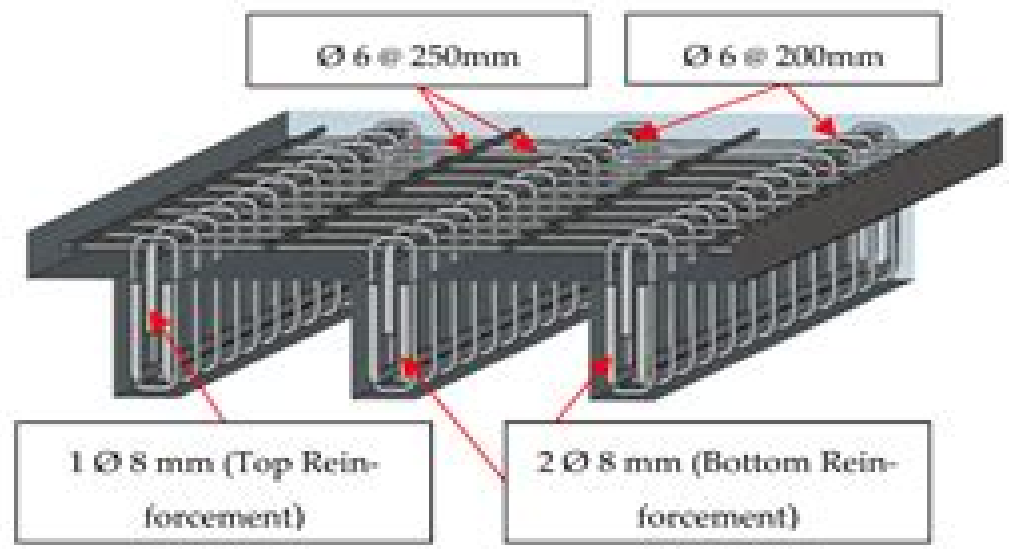
(a)



(b)



(c)



(d)

# Ribbed Slab Design Guide

**Andrew W Beeby, R S Narayanan**



**Ribbed Slab Design Guide:**

Thank you enormously much for downloading **Ribbed Slab Design Guide**. Maybe you have knowledge that, people have seen numerous times for their favorite books bearing in mind this Ribbed Slab Design Guide, but end taking place in harmful downloads.

Rather than enjoying a good book with a mug of coffee in the afternoon, on the other hand they juggled later than some harmful virus inside their computer. **Ribbed Slab Design Guide** is handy in our digital library an online permission to it is set as public consequently you can download it instantly. Our digital library saves in merged countries, allowing you to acquire the most less latency time to download any of our books in the same way as this one. Merely said, the Ribbed Slab Design Guide is universally compatible with any devices to read.

<https://crm.avenza.com/book/Resources/index.jsp/Observation%20Paper%20Ideas.pdf>

## **Table of Contents Ribbed Slab Design Guide**

1. Understanding the eBook Ribbed Slab Design Guide
  - The Rise of Digital Reading Ribbed Slab Design Guide
  - Advantages of eBooks Over Traditional Books
2. Identifying Ribbed Slab Design Guide
  - Exploring Different Genres
  - Considering Fiction vs. Non-Fiction
  - Determining Your Reading Goals
3. Choosing the Right eBook Platform
  - Popular eBook Platforms
  - Features to Look for in an Ribbed Slab Design Guide
  - User-Friendly Interface
4. Exploring eBook Recommendations from Ribbed Slab Design Guide
  - Personalized Recommendations
  - Ribbed Slab Design Guide User Reviews and Ratings

- Ribbed Slab Design Guide and Bestseller Lists
- 5. Accessing Ribbed Slab Design Guide Free and Paid eBooks
  - Ribbed Slab Design Guide Public Domain eBooks
  - Ribbed Slab Design Guide eBook Subscription Services
  - Ribbed Slab Design Guide Budget-Friendly Options
- 6. Navigating Ribbed Slab Design Guide eBook Formats
  - ePub, PDF, MOBI, and More
  - Ribbed Slab Design Guide Compatibility with Devices
  - Ribbed Slab Design Guide Enhanced eBook Features
- 7. Enhancing Your Reading Experience
  - Adjustable Fonts and Text Sizes of Ribbed Slab Design Guide
  - Highlighting and Note-Taking Ribbed Slab Design Guide
  - Interactive Elements Ribbed Slab Design Guide
- 8. Staying Engaged with Ribbed Slab Design Guide
  - Joining Online Reading Communities
  - Participating in Virtual Book Clubs
  - Following Authors and Publishers Ribbed Slab Design Guide
- 9. Balancing eBooks and Physical Books Ribbed Slab Design Guide
  - Benefits of a Digital Library
  - Creating a Diverse Reading Collection Ribbed Slab Design Guide
- 10. Overcoming Reading Challenges
  - Dealing with Digital Eye Strain
  - Minimizing Distractions
  - Managing Screen Time
- 11. Cultivating a Reading Routine Ribbed Slab Design Guide
  - Setting Reading Goals Ribbed Slab Design Guide
  - Carving Out Dedicated Reading Time
- 12. Sourcing Reliable Information of Ribbed Slab Design Guide
  - Fact-Checking eBook Content of Ribbed Slab Design Guide
  - Distinguishing Credible Sources

13. Promoting Lifelong Learning
  - Utilizing eBooks for Skill Development
  - Exploring Educational eBooks
14. Embracing eBook Trends
  - Integration of Multimedia Elements
  - Interactive and Gamified eBooks

### **Ribbed Slab Design Guide Introduction**

Free PDF Books and Manuals for Download: Unlocking Knowledge at Your Fingertips In today's fast-paced digital age, obtaining valuable knowledge has become easier than ever. Thanks to the internet, a vast array of books and manuals are now available for free download in PDF format. Whether you are a student, professional, or simply an avid reader, this treasure trove of downloadable resources offers a wealth of information, conveniently accessible anytime, anywhere. The advent of online libraries and platforms dedicated to sharing knowledge has revolutionized the way we consume information. No longer confined to physical libraries or bookstores, readers can now access an extensive collection of digital books and manuals with just a few clicks. These resources, available in PDF, Microsoft Word, and PowerPoint formats, cater to a wide range of interests, including literature, technology, science, history, and much more. One notable platform where you can explore and download free Ribbed Slab Design Guide PDF books and manuals is the internet's largest free library. Hosted online, this catalog compiles a vast assortment of documents, making it a veritable goldmine of knowledge. With its easy-to-use website interface and customizable PDF generator, this platform offers a user-friendly experience, allowing individuals to effortlessly navigate and access the information they seek. The availability of free PDF books and manuals on this platform demonstrates its commitment to democratizing education and empowering individuals with the tools needed to succeed in their chosen fields. It allows anyone, regardless of their background or financial limitations, to expand their horizons and gain insights from experts in various disciplines. One of the most significant advantages of downloading PDF books and manuals lies in their portability. Unlike physical copies, digital books can be stored and carried on a single device, such as a tablet or smartphone, saving valuable space and weight. This convenience makes it possible for readers to have their entire library at their fingertips, whether they are commuting, traveling, or simply enjoying a lazy afternoon at home. Additionally, digital files are easily searchable, enabling readers to locate specific information within seconds. With a few keystrokes, users can search for keywords, topics, or phrases, making research and finding relevant information a breeze. This efficiency saves time and effort, streamlining the learning process and allowing individuals to focus on extracting the information they need. Furthermore, the availability of free PDF books and manuals fosters a culture of continuous learning. By removing

financial barriers, more people can access educational resources and pursue lifelong learning, contributing to personal growth and professional development. This democratization of knowledge promotes intellectual curiosity and empowers individuals to become lifelong learners, promoting progress and innovation in various fields. It is worth noting that while accessing free Ribbed Slab Design Guide PDF books and manuals is convenient and cost-effective, it is vital to respect copyright laws and intellectual property rights. Platforms offering free downloads often operate within legal boundaries, ensuring that the materials they provide are either in the public domain or authorized for distribution. By adhering to copyright laws, users can enjoy the benefits of free access to knowledge while supporting the authors and publishers who make these resources available. In conclusion, the availability of Ribbed Slab Design Guide free PDF books and manuals for download has revolutionized the way we access and consume knowledge. With just a few clicks, individuals can explore a vast collection of resources across different disciplines, all free of charge. This accessibility empowers individuals to become lifelong learners, contributing to personal growth, professional development, and the advancement of society as a whole. So why not unlock a world of knowledge today? Start exploring the vast sea of free PDF books and manuals waiting to be discovered right at your fingertips.

### **FAQs About Ribbed Slab Design Guide Books**

How do I know which eBook platform is the best for me? Finding the best eBook platform depends on your reading preferences and device compatibility. Research different platforms, read user reviews, and explore their features before making a choice. Are free eBooks of good quality? Yes, many reputable platforms offer high-quality free eBooks, including classics and public domain works. However, make sure to verify the source to ensure the eBook credibility. Can I read eBooks without an eReader? Absolutely! Most eBook platforms offer webbased readers or mobile apps that allow you to read eBooks on your computer, tablet, or smartphone. How do I avoid digital eye strain while reading eBooks? To prevent digital eye strain, take regular breaks, adjust the font size and background color, and ensure proper lighting while reading eBooks. What the advantage of interactive eBooks? Interactive eBooks incorporate multimedia elements, quizzes, and activities, enhancing the reader engagement and providing a more immersive learning experience. Ribbed Slab Design Guide is one of the best book in our library for free trial. We provide copy of Ribbed Slab Design Guide in digital format, so the resources that you find are reliable. There are also many Ebooks of related with Ribbed Slab Design Guide. Where to download Ribbed Slab Design Guide online for free? Are you looking for Ribbed Slab Design Guide PDF? This is definitely going to save you time and cash in something you should think about. If you trying to find then search around for online. Without a doubt there are numerous these available and many of them have the freedom. However without doubt you receive whatever you

purchase. An alternate way to get ideas is always to check another Ribbed Slab Design Guide. This method for see exactly what may be included and adopt these ideas to your book. This site will almost certainly help you save time and effort, money and stress. If you are looking for free books then you really should consider finding to assist you try this. Several of Ribbed Slab Design Guide are for sale to free while some are payable. If you arent sure if the books you would like to download works with for usage along with your computer, it is possible to download free trials. The free guides make it easy for someone to free access online library for download books to your device. You can get free download on free trial for lots of books categories. Our library is the biggest of these that have literally hundreds of thousands of different products categories represented. You will also see that there are specific sites catered to different product types or categories, brands or niches related with Ribbed Slab Design Guide. So depending on what exactly you are searching, you will be able to choose e books to suit your own need. Need to access completely for Campbell Biology Seventh Edition book? Access Ebook without any digging. And by having access to our ebook online or by storing it on your computer, you have convenient answers with Ribbed Slab Design Guide To get started finding Ribbed Slab Design Guide, you are right to find our website which has a comprehensive collection of books online. Our library is the biggest of these that have literally hundreds of thousands of different products represented. You will also see that there are specific sites catered to different categories or niches related with Ribbed Slab Design Guide So depending on what exactly you are searching, you will be able to choose ebook to suit your own need. Thank you for reading Ribbed Slab Design Guide. Maybe you have knowledge that, people have search numerous times for their favorite readings like this Ribbed Slab Design Guide, but end up in harmful downloads. Rather than reading a good book with a cup of coffee in the afternoon, instead they juggled with some harmful bugs inside their laptop. Ribbed Slab Design Guide is available in our book collection an online access to it is set as public so you can download it instantly. Our digital library spans in multiple locations, allowing you to get the most less latency time to download any of our books like this one. Merely said, Ribbed Slab Design Guide is universally compatible with any devices to read.

### **Find Ribbed Slab Design Guide :**

*observation paper ideas*

*objective questions and answers in cost accounting*

**ocr chemistry f321 may 2013 unofficial**

**ocr economics 2013 mark scheme f585**

[nypd patrol guide memo](#)

*ocr c1 2013 ma mark scheme*

[ocr f211 and f212 2014](#)



~~obediently yours english edition~~

**o level geograph green book**

~~oceanic time warner basic cable guide~~

**obsessed english edition**

**ocie guide 2013**

~~oatmeal chocolate chip walnut cookies recipe~~

~~obesity research paper topics~~

ocr biology as study guide 4th edition

### **Ribbed Slab Design Guide :**

*official list of zodiak radio frequencies in malawi - Feb 13 2022*

web feb 8 2020 zodiak radio frequency in dedza 89 0 zodiak radio frequency in dowa 92 9 zodiak radio frequency in mchinji 87 6 zodiak radio frequency in ntchisi 88 7 zodiak radio frequency in kasungu 104 9 zodiak radio frequency in chikangawa 107 0 zodiak radio frequency in livingstonia 95 0 zodiak radio frequency in karonga 93 7

*zodiak broadcasting station msce resu cyberlab sutd edu sg - Jul 21 2022*

web science and control engineering msce 2014 jun 10 2023 the aim of msce 2014 is to provide a platform for researchers engineers and academicians as well as industrial professionals to present their research results and development activities in mechanism science and control engineering

**zodiak radio listen live blantyre malawi online radio box - Sep 22 2022**

web jul 26 2018 listen online to zodiak radio station for free great choice for blantyre malawi listen live zodiak radio with onlineradiobox com

zodiac signs in chinese understanding chinese horoscopes - Apr 17 2022

web may 6 2021 aries in chinese taurus in chinese gemini in chinese cancer in chinese leo in chinese virgo in chinese libra in chinese scorpio in chinese sagittarius in chinese

zodiak online zbsnews zodiak broadcasting station is - Mar 29 2023

web zbsnews zodiak broadcasting station is today awarding best performing female students in the 2019 msce at a function taking place at loyola jesuits secondary school in kasungu

zodiak malawi online - Oct 04 2023

web when he heard on zodiak radio that the ministry of education had announced the 2023 malawi school certificate of education msce examination results joseph mathias katole s heart was pounding heavily

**zodiak broadcasting station wikipedia** - Apr 29 2023

web zodiak broadcasting station is a privately owned radio station in malawi it was founded in 2005 by gospel kazako the station has more than 25 transmitting sites and reaches the whole of malawi nearly 60 of its programmes are broadcast in chichewa malawi s main language with few others being addressed in chitumbuka

*zodiak online live radio* - Nov 24 2022

web listen to zodiak broadcasting station online radio live stance academy opens doors forms pta committee sunday 22 october 2023 08 21

live 95 1 fm zodiak radio 18 3k favorites tunein - Oct 24 2022

web live 95 1 fm zodiak radio 18 3k favorites tunein news talk zodiak radio zodiak broadcasting station zikachitika mumvera kwa ife we are here to provide you with breaking news sport tv and radio

**zodiak broadcasting station zikachitika mumvera kwa ife** - Aug 22 2022

web zodiak broadcasting station artbridge house p bag 312 sec 5 lilongwe malawi

**zodiak broadcasting station msce results 2013 textra com** - Jun 19 2022

web 2 zodiak broadcasting station msce results 2013 2022 07 04 period 2006 11 which is aimed at fulfilling malawi s future developmental aspiration vision 2020 the strategy identifies broad thematic areas and key priority areas to bring about sustained economic growth a striking feature of this strategy is that the various governmental

**cbs apologises for broadcasting map showing** - May 19 2022

web mar 3 2022 us television network cbs has sent a letter of apology to turkey saying the channel would review its broadcasting processes in order to prevent such errors in the future turkey s communications director fahrettin altun protested over the us tv network s mistake earlier

**msce results out prisam commends timely release** - Aug 02 2023

web sep 17 2023 the malawi national examination board maneb in conjunction with the ministry of education has released the 2022 malawi school certificate of education msce examination results

**zodiak broadcasting station youtube** - Feb 25 2023

web zodiak broadcasting station brings the latest news in malawi and elsewhere as it happens

nhk japan broadcasting corporation merkezi - Mar 17 2022

web nhk japan broadcasting corporation merkezi japonya istanbul merkez subesi company profile istanbul europe turkey competitors financials contacts dun bradstreet d b business directory

**push for release of msce results zodiakmalawi com** - Sep 03 2023

web wednesday 13 09 2023 an educationist wesley mwambakulu has asked authorities to release the 2023 malawi school

certificate of education msce examination results following the commencement of this year s academic calendar

[zodiak broadcasting station zbs fm 95 1 lilongwe](#) - Dec 26 2022

web oct 25 2023 zodiak broadcasting station zbs zikachitika mumvera kwa ife fm 95 1 lilongwe live stream plus station

schedule and song playlist listen to your favorite radio stations at streema

**2022 msce results to be out soon maneb zodiakmalawi com** - May 31 2023

web the malawi national examination board maneb says it is in the final touches to release the 2022 malawi school certificate of education msce examination results

**zodiak online facebook** - Jul 01 2023

web zodiak online lilongwe malawi 797 472 likes 111 677 talking about this zodiakmalawi com twitter com zodiakonline

*blessings kang ombe news reporter zodiak broadcasting station* - Jan 27 2023

web blessings kang ombe is a malawian born journalist currently working with private owned zodiak broadcasting station zbs and based in ntcheu district

**auto trans diagnosis f4a21 f4a22 amp f4a23 article** - Jan 13 2023

web jan 15 2015 strong auto strong strong trans strong strong diagnosis strong strong f4a21 strong strong f4a22 strong

**mitsubishi km175 km177 f4a21 f4a22 f4a23 automatic** - Jun 18 2023

web ni lock up solenoid mitsubishi 92 1 km175 sol02 ni lock up solenoid mitsubishi 93 on 1 km175 sol03 valve body parts

mitsubishi km175 km177 f4a21 f4a22 f4a23 author kn created date 4 10 2008 5 18 58 pm

**mitsubishi f4a41 f4a42 f4a51 atsg automatic transmission service** - Sep 09 2022

web mitsubishi f4a41 f4a42 f4a51 atsg automatic transmission service group pdf this is a four speed front wheel drive transaxle with fully electronic controls for the upshifts and downshifts with 4th gear being overdrive the individual gear ratios are achieved through two planetary gear sets connected one behind the other

**solved f4a22 auto trans fixya** - Aug 08 2022

web 1 answer f4a22 auto trans where is the filter in this gearbox posted by jab1982on nov 08 2008 want answer0 clicking this will make more experts see the question and we will remind you when it gets answered comment

**mitsubishi f4a22 automatic cyberlab sutd edu sg** - Feb 14 2023

web mitsubishi f4a22 automatic modern engine blueprinting techniques jan 04 2021 engine production for the typical car manufactured today is a study in mass production benefits in the manufacturing process for the manufacturer often run counter to the interests of the end user what speeds up production and saves manufacturing costs results in an

**gearbox mitsubishi f4a22 specifications gear ratios oil** - Oct 22 2023

web the 4 speed automatic transmission mitsubishi f4a22 or under the old name km175 was produced by the company from

1987 to 2001 and was installed on lancer colt galant or space runner based on this transmission hyundai automatic transmissions were created under the indexes a4bf1 a4bf2 and a4bf3

[mitsubishi automatic transmission fluid type capacity instruction](#) - Aug 20 2023

web get specific recommendations for service about fluid type and capacity of your mitsubishi automatic transmission table with information about every model

[mitsubishi km175 km177 f4a21 f4a22 f4a23](#) - Jun 06 2022

web june 9th 2018 mitsubishi km175 km177 f4a21 f4a22 f4a23 automatic choice 47069 automatic transmission e w manual valve 27 oil filter 28 oil pan transmission model km177 8 f4a23 2 master rebuild kit fits mitsubishi and

**mitsubishi proton f3a21 f3a22 f4a21 f4a22 f4a23 automatic** - May 05 2022

web available as download link or in disc make sure you choose free shipping if you want download link only mitsubishi f3a21 f3a22 f4a21 f4a22 f4a23 automatic gearbox transmission workshop service repair manual in pdf ebook contents general information specifications transmission model table gear ratio table service specifications valve body

**f4a22 2 archives wholesale automatic transmissions** - Nov 11 2022

web auto transmission servicing book an auto transmission service extreme transmission upgrades re manufactured and changeover transmissions zip finance own it now pay later dtc s common to automatic transmissions support transmission oil coolers tech support valve bodies tech support lock up kits tech support temp gauge

**mitsubishi automatic transmission gearbox overhaul f4a21 f4a22** - Oct 10 2022

web mitsubishi automatic transmission gearbox overhaul workshop shop service repair manual f4a21 f4a22 f4a23 automatic transmissions mitsubishi f4a20 series colt 4 speed 1990 92 f4a21 f4a22 colt vista 2wd 1990 94 1 8l 2 0l f4a22 2 0l turbo f4a23

*mitsu f4a20 series transmission trouble shooting and* - May 17 2023

web oct 19 2010 hi here is a guide book for mitsubishi f4a21 f4a22 f4a23 automatic transmissions problem diagnostics their solutions and overhauling it download it here dot hammadabbas dot com atoh2 pdf not for commercial use

**f4a22 transmission catalogue automatic choice** - Jul 07 2022

web f4a22 transmission catalogue automatic transmission mitsubishi product map products filter results productgroup basic overhaul parts select all brake bands 3 bushing kits 2 filters transmission 3 friction plate kits 4 oils 3 overhaul kits 4 steel plate kits automatic choice ood eastern europe 23 nikolay haytov

*mitsubishi f4a22 auto transmission service manual 2023* - Dec 12 2022

web mitsubishi f4a22 auto transmission service manual taking charge of your automotive repairs and servicing jan 18 2023 automatic aod bw 35 40 l85 91 93 95 97 c4 c5 c6 c9 c10 fmx and m51 manual 3 speed 4 speed and 5 speed single rail top

loader t5 and m57

*f4a22 2 transmission specifications and cross reference* - Apr 16 2023

web jun 26 2023 transmission model number f4a22 2 applications specifications dimensions ratios

**used mitsubishi outlander 2 4a cars sgcarmart** - Mar 03 2022

web find all used mitsubishi outlander 2 4a cars for sale in singapore get latest pricing specifications photos on used mitsubishi outlander 2 4a models the only place for smart car buyers

mitsubishi gearboxes specifications gear ratios oil - Jul 19 2023

web the 4 speed automatic transmission mitsubishi f4a22 or under the old name km175 was produced by the company from 1987 to 2001 and was installed on lancer colt galant or space runner based on this transmission hyundai automatic transmissions were created under the indexes a4bf1 a4bf2 and a4bf3 gearbox mitsubishi f4a23

*gearbox mitsubishi f4a42 specifications gear ratios oil* - Mar 15 2023

web the mitsubishi f4a42 4 speed automatic transmission was produced from 1996 to 2013 and was installed on popular models of the concern such as galant and outlander as well as cars from hyundai kia the latest versions of this automatic transmission had the index f4a42 2 and f4a4b all wheel drive w4a42 and w4a4b

**f4a22 transmission catalogue automatic choice** - Sep 21 2023

web f4a22 transmission catalogue automatic transmission mitsubishi product map products filter results productgroup basic overhaul parts select all brake bands 3 bushing kits 2 filters transmission 3 friction plate kits 4 oils 3 overhaul kits 4 steel plate kits automatic choice ood eastern europe 23 nikolay haytov

**mitsubishi electric factory automation singapore** - Apr 04 2022

web for the first time to facilitate the packing for ndp 2022 mitsubishi electric together with their e f ctory alliance partner hand plus robotics have incorporated collaborative robots cobots into the army s production line to help pack the ndp packs this year

**projektmanagement leitfaden fur die planung uberw pdf** - Oct 30 2022

web oct 13 2023 projektmanagement leitfaden fur die planung uberw 2 12 downloaded from uniport edu ng on october 13 2023 by guest es als nachschlagewerk für alle diejenigen die bereits längere zeit mit pm aufgaben betraut sind für die 4 auflage wurde das buch gründlich aktualisiert außerdem beschreibt es neue pm

**projektmanagement leitfaden fur die planung uberw pdf** - Apr 04 2023

web oct 11 2023 projektmanagement leitfaden fur die planung uberw 1 13 downloaded from uniport edu ng on october 11 2023 by guest projektmanagement leitfaden fur die planung uberw thank you for reading projektmanagement leitfaden fur die planung uberw as you may know people have look numerous times for their chosen books like

**projektmanagement leitfaden fur die planung uberw pdf** - Mar 23 2022

web 4 projektmanagement leitfaden fur die planung uberw 2022 12 30 berater müssen alle ihre aufgaben und probleme zielgerichtet schnell und mit einem optimalen ergebnis lösen je nach aufgaben und problemtyp gibt es dafür eine oder mehrere optimale techniken oder methoden die mit unterschiedlich großem aufwand erlernt und angewendet werden  
*projektmanagement leitfaden für die planung Überwachung* - Sep 09 2023

web mar 5 2018 burghardts projektmanagement ist ein umfassendes und bewährtes standardwerk für projektleiter projektplaner und projektmitarbeiter in verständlicher form vermittelt es die methoden und vorgehensweisen im management von projekten

*projektmanagement leitfaden für die planung Überwachung* - Feb 02 2023

web projektmanagement leitfaden für die planung Überwachung und steuerung von projekten burghardt manfred isbn 9783895784729 kostenloser versand für alle bücher mit versand und verkauf duch amazon

**projektmanagement leitfaden für die planung Überwachung** - Aug 08 2023

web für unternehmen projektmanagement leitfaden für die planung Überwachung und steuerung von projekten leitfaden fur die planung uberwachung und steuerung von projekten burghardt manfred isbn 9783895783999 kostenloser versand für alle bücher mit versand und verkauf duch amazon

**projektmanagement leitfaden fur die planung uberw pdf** - Jun 06 2023

web projektmanagement leitfaden fur die planung uberw downloaded from data northitalia com by guest autumn laci projektrisikomanagement im mittelstand diplom de längst gehört es zum muss im unternehmerischen alltag verschiedene projekte parallel zu steuern wie aber sieht ein systematisches management für die gesamte

**projektmanagement leitfaden fur die planung uberw pdf** - May 05 2023

web 4 projektmanagement leitfaden fur die planung uberw 2023 04 planungskonzepten methoden und software lässt sich diese aufgabe nicht mehr bewältigen dieses lehrbuch stellt die wichtigsten beiträge zur entscheidungsfindung aus den bereichen entscheidungs und planungstheorie management controlling operations

projektleitfaden englisch Übersetzung linguae wörterbuch - Aug 28 2022

web viele übersetzte beispielsätze mit projektleitfaden englisch deutsch wörterbuch und suchmaschine für millionen von englisch Übersetzungen

**projektmanagement leitfaden fur die planung uberw vod** - Mar 03 2023

web projektmanagement leitfaden fur die planung uberw downloaded from vod transcode uat mediacp net by guest rivers nathaniel vergleichende darstellung der klassischen netzplantechnik und des ansatzes der kritischen

**projektmanagement leitfaden fur die planung uberw pdf** - Jul 27 2022

web projektmanagement leitfaden fur die planung uberw pdf projektmanagement leitfaden fur die planung uberw pdf book review unveiling the magic of language in an electronic digital era where connections and knowledge reign supreme the enchanting power of language has be apparent than ever

[projektmanagement leitfaden fur die planung uberw](#) - Apr 23 2022

web kriterien und elemente zum spezifischen projektmanagement von investitionsprojekten im chemischen und pharmazeutischen anlagenbau management und projekt methoden

**projektmanagement leitfaden fur die planung uberw pdf** - Jun 25 2022

web 4 projektmanagement leitfaden fur die planung uberw 2023 07 29 praktischen projektmanagement der schwerpunkt liegt auf der beschreibung der erfolgsk Faktoren von und für projektmanagement insbesondere wird die vieldimensionalität der führung und steuerung von projekten aufgezeigt viele störungen im projektverlauf können so

**projektmanagement leitfaden fur die planung uberw pdf** - May 25 2022

web 4 projektmanagement leitfaden fur die planung uberw 2021 12 18 programmentwicklung als kontrollinstrument der produktionsplanung aus betriebswirtschaftlicher sicht zu geben die projektmanagementsysteme alltäglicher art waren die logische konsequenz aus der entstehung und bekanntmachung der npt

**projektmanagement leitfaden fur die planung uberw full pdf** - Sep 28 2022

web leitfaden für projektmanagement bedeutung und möglichkeiten der netzplantechnik innerhalb der produktionsplanung mit hilfe von sap r 3 und ms project projektmanagement

[projektmanagement leitfaden fur die planung uberw 2022](#) - Jan 01 2023

web projektmanagement handbuch planung projektleitung konflikte motivation und widerstand leitfaden für projektmanagement springer verlag die permanente einstellung auf die sich ständig wechselnden bedingungen des weltmarktes die steigende komplexität und die größer werdende automatisierung der zu erstellenden technischen

**projektmanagement leitfaden fur die planung uberw** - Oct 10 2023

web 2 projektmanagement leitfaden fur die planung uberw 2022 03 26 projektbegleitenden revision dokumentation der prüfung best practice methoden in der projektrevision die übersichtliche darstellung des audit universe erleichtert ihnen die projektrevision in der praxis und hilft ihnen projektinhärente risiken für das unternehmen zu

[projektmanagement leitfaden fur die planung uberw 2022](#) - Nov 30 2022

web 4 projektmanagement leitfaden fur die planung uberw 2021 10 12 this system stems from an optimal interaction of the elements of the system as well as ist integration within the enterprise the application of classic project development techniques will for instance deliver a purely functional result however what is also important

[projektmanagement leitfaden fur die planung uberw 2022](#) - Feb 19 2022

web projektmanagement leitfaden fur die planung uberw 3 3 der begriffswelt in der projektwirtschaft bei dieses referenzwerk berucksichtigt die aktuellen nationalen und internationalen pm standards din normen 69000 69901 pm leistungsbilder hoai aho dvp gpm kompetenzbasiertes projektmanagement

projektmanagement leitfaden fur die planung uberw pdf - Jul 07 2023

web oct 12 2023 projektmanagement leitfaden fur die planung uberw 1 12 downloaded from uniport edu ng on october 12 2023 by guest projektmanagement leitfaden fur die planung uberw this is likewise one of the factors by obtaining the soft documents of this projektmanagement leitfaden fur die planung uberw by online you might not