

Operating the water heater.

Water Temperature Setting...

Maximum water temperatures occur just after the burner has shut off. To determine the water temperature, turn on a hot water faucet and place a thermometer in the water stream.

The reference mark "Low" represents an approximate water temperature of 91°F.

The reference mark "Hot" represents an approximate water temperature of 125°F.

The reference mark "A" represents an approximate water temperature of 130°F.

The reference mark "B" represents an approximate water temperature of 140°F.

The reference mark "C" represents an approximate water temperature of 150°F.

The reference mark "Very Hot" represents an approximate water temperature of 155°F.

A condition known as "stacking" or "layering" can occur when a series of short and frequent hot water draws are taken.

The hottest temperature water will be at the top of the tank, closest to the outlet pipe delivering hot water to the home.

Stacking can cause this top layer of water to be hotter than the water toward the bottom of the tank near the Combination Gas Control (Thermostat).

Therefore, always remember to test the water temperature with your hand before use and remember that hotter water increases the risk of scald injury.

Also, always supervise young children or others who are incapacitated.

The Combination Gas Control (Thermostat) is constructed with a built in safety shut-off device designed to shut off the gas supply to the burner if the pilot flame is extinguished for any reason.

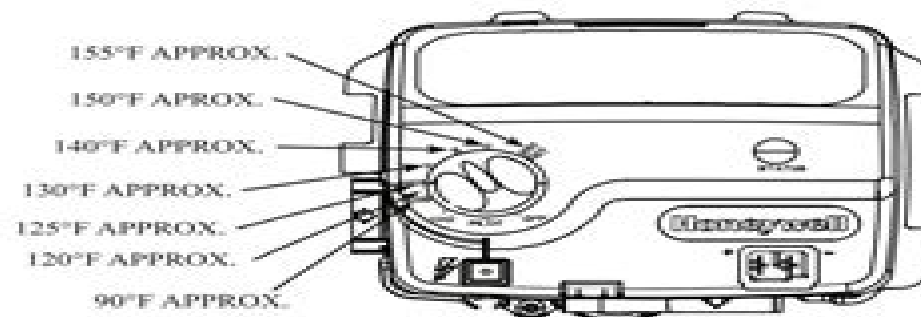
The Combination Gas Control (Thermostat) is also equipped with a single use gas shut off device that will shut off the gas supply to the burner if the water heater exceeds normal operating temperatures. Refer to the (Before You Call For Service) section of this manual, or contact your dealer.

▲ WARNING: Should overheating occur or the gas supply fail to shut off, turn off the manual gas control valve to the appliance.

If the water heater has been subjected to fire, flood or physical damage, turn off the manual gas (shut-off) valve, and do not operate the water heater again until it has been checked by a qualified service technician.

NOTICE: DO NOT use this appliance if any part has been under water. Immediately call a qualified installer or service agency to replace a flooded water heater. DO NOT attempt to repair the unit! It must be replaced.

Temperatures are approximate



Rheem Platinum Instruction Manual

O García



Rheem Platinum Instruction Manual:

User's Manual to the International Annual Reports Collection ,1989 **Journal of the Telegraph** ,1881
Government Reports Annual Index ,1992 **Western Advertising** ,1962 *Who's who Among Black Americans*,
1988 ,1988

This is likewise one of the factors by obtaining the soft documents of this **Rheem Platinum Instruction Manual** by online. You might not require more mature to spend to go to the books introduction as skillfully as search for them. In some cases, you likewise reach not discover the broadcast Rheem Platinum Instruction Manual that you are looking for. It will unconditionally squander the time.

However below, gone you visit this web page, it will be appropriately certainly simple to get as well as download lead Rheem Platinum Instruction Manual

It will not say you will many time as we accustom before. You can do it though put on an act something else at home and even in your workplace. for that reason easy! So, are you question? Just exercise just what we have enough money below as skillfully as evaluation **Rheem Platinum Instruction Manual** what you later to read!

<https://crm.avenza.com/public/book-search/Documents/practice%207%207%20area%20of%20shaded.pdf>

Table of Contents Rheem Platinum Instruction Manual

1. Understanding the eBook Rheem Platinum Instruction Manual
 - The Rise of Digital Reading Rheem Platinum Instruction Manual
 - Advantages of eBooks Over Traditional Books
2. Identifying Rheem Platinum Instruction Manual
 - Exploring Different Genres
 - Considering Fiction vs. Non-Fiction
 - Determining Your Reading Goals
3. Choosing the Right eBook Platform
 - Popular eBook Platforms
 - Features to Look for in an Rheem Platinum Instruction Manual
 - User-Friendly Interface
4. Exploring eBook Recommendations from Rheem Platinum Instruction Manual

- Personalized Recommendations
- Rheem Platinum Instruction Manual User Reviews and Ratings
- Rheem Platinum Instruction Manual and Bestseller Lists
- 5. Accessing Rheem Platinum Instruction Manual Free and Paid eBooks
 - Rheem Platinum Instruction Manual Public Domain eBooks
 - Rheem Platinum Instruction Manual eBook Subscription Services
 - Rheem Platinum Instruction Manual Budget-Friendly Options
- 6. Navigating Rheem Platinum Instruction Manual eBook Formats
 - ePub, PDF, MOBI, and More
 - Rheem Platinum Instruction Manual Compatibility with Devices
 - Rheem Platinum Instruction Manual Enhanced eBook Features
- 7. Enhancing Your Reading Experience
 - Adjustable Fonts and Text Sizes of Rheem Platinum Instruction Manual
 - Highlighting and Note-Taking Rheem Platinum Instruction Manual
 - Interactive Elements Rheem Platinum Instruction Manual
- 8. Staying Engaged with Rheem Platinum Instruction Manual
 - Joining Online Reading Communities
 - Participating in Virtual Book Clubs
 - Following Authors and Publishers Rheem Platinum Instruction Manual
- 9. Balancing eBooks and Physical Books Rheem Platinum Instruction Manual
 - Benefits of a Digital Library
 - Creating a Diverse Reading Collection Rheem Platinum Instruction Manual
- 10. Overcoming Reading Challenges
 - Dealing with Digital Eye Strain
 - Minimizing Distractions
 - Managing Screen Time
- 11. Cultivating a Reading Routine Rheem Platinum Instruction Manual
 - Setting Reading Goals Rheem Platinum Instruction Manual
 - Carving Out Dedicated Reading Time
- 12. Sourcing Reliable Information of Rheem Platinum Instruction Manual

- Fact-Checking eBook Content of Rheem Platinum Instruction Manual
 - Distinguishing Credible Sources
13. Promoting Lifelong Learning
- Utilizing eBooks for Skill Development
 - Exploring Educational eBooks
14. Embracing eBook Trends
- Integration of Multimedia Elements
 - Interactive and Gamified eBooks

Rheem Platinum Instruction Manual Introduction

Free PDF Books and Manuals for Download: Unlocking Knowledge at Your Fingertips In today's fast-paced digital age, obtaining valuable knowledge has become easier than ever. Thanks to the internet, a vast array of books and manuals are now available for free download in PDF format. Whether you are a student, professional, or simply an avid reader, this treasure trove of downloadable resources offers a wealth of information, conveniently accessible anytime, anywhere. The advent of online libraries and platforms dedicated to sharing knowledge has revolutionized the way we consume information. No longer confined to physical libraries or bookstores, readers can now access an extensive collection of digital books and manuals with just a few clicks. These resources, available in PDF, Microsoft Word, and PowerPoint formats, cater to a wide range of interests, including literature, technology, science, history, and much more. One notable platform where you can explore and download free Rheem Platinum Instruction Manual PDF books and manuals is the internet's largest free library. Hosted online, this catalog compiles a vast assortment of documents, making it a veritable goldmine of knowledge. With its easy-to-use website interface and customizable PDF generator, this platform offers a user-friendly experience, allowing individuals to effortlessly navigate and access the information they seek. The availability of free PDF books and manuals on this platform demonstrates its commitment to democratizing education and empowering individuals with the tools needed to succeed in their chosen fields. It allows anyone, regardless of their background or financial limitations, to expand their horizons and gain insights from experts in various disciplines. One of the most significant advantages of downloading PDF books and manuals lies in their portability. Unlike physical copies, digital books can be stored and carried on a single device, such as a tablet or smartphone, saving valuable space and weight. This convenience makes it possible for readers to have their entire library at their fingertips, whether they are commuting, traveling, or simply enjoying a lazy afternoon at home. Additionally, digital files are easily searchable, enabling readers to locate specific information within seconds. With a few keystrokes, users can search for keywords, topics, or phrases, making research and finding relevant information a breeze.

This efficiency saves time and effort, streamlining the learning process and allowing individuals to focus on extracting the information they need. Furthermore, the availability of free PDF books and manuals fosters a culture of continuous learning. By removing financial barriers, more people can access educational resources and pursue lifelong learning, contributing to personal growth and professional development. This democratization of knowledge promotes intellectual curiosity and empowers individuals to become lifelong learners, promoting progress and innovation in various fields. It is worth noting that while accessing free Rheem Platinum Instruction Manual PDF books and manuals is convenient and cost-effective, it is vital to respect copyright laws and intellectual property rights. Platforms offering free downloads often operate within legal boundaries, ensuring that the materials they provide are either in the public domain or authorized for distribution. By adhering to copyright laws, users can enjoy the benefits of free access to knowledge while supporting the authors and publishers who make these resources available. In conclusion, the availability of Rheem Platinum Instruction Manual free PDF books and manuals for download has revolutionized the way we access and consume knowledge. With just a few clicks, individuals can explore a vast collection of resources across different disciplines, all free of charge. This accessibility empowers individuals to become lifelong learners, contributing to personal growth, professional development, and the advancement of society as a whole. So why not unlock a world of knowledge today? Start exploring the vast sea of free PDF books and manuals waiting to be discovered right at your fingertips.

FAQs About Rheem Platinum Instruction Manual Books

How do I know which eBook platform is the best for me? Finding the best eBook platform depends on your reading preferences and device compatibility. Research different platforms, read user reviews, and explore their features before making a choice. Are free eBooks of good quality? Yes, many reputable platforms offer high-quality free eBooks, including classics and public domain works. However, make sure to verify the source to ensure the eBook credibility. Can I read eBooks without an eReader? Absolutely! Most eBook platforms offer web-based readers or mobile apps that allow you to read eBooks on your computer, tablet, or smartphone. How do I avoid digital eye strain while reading eBooks? To prevent digital eye strain, take regular breaks, adjust the font size and background color, and ensure proper lighting while reading eBooks. What the advantage of interactive eBooks? Interactive eBooks incorporate multimedia elements, quizzes, and activities, enhancing the reader engagement and providing a more immersive learning experience. Rheem Platinum Instruction Manual is one of the best book in our library for free trial. We provide copy of Rheem Platinum Instruction Manual in digital format, so the resources that you find are reliable. There are also many Ebooks of related with Rheem Platinum Instruction Manual. Where to download Rheem Platinum Instruction Manual online for free? Are you looking for Rheem Platinum Instruction

Manual PDF? This is definitely going to save you time and cash in something you should think about.

Find Rheem Platinum Instruction Manual :

practice 7 7 area of shaded

practical guide to seismic restraint

powerlogic ion user guide for trending

ppe paper march 2015 edexcel style

ppd smp semarang 2015

ppsb sman1 dan sman2 pare kediri 2015 2016

power chicks guide to boston book

powerboss parts manual

practical guide 2peugeot open europe

practical reliability engineering fifth edition solution manual

pg lifestyles limited annual report

power machines n6 question paper code 8190046

practical for lfsc 11 2014 grade 11

power electronics lab manual vtu

power thoughts devotional

Rheem Platinum Instruction Manual :

narrative economics how stories go viral and drive major - Apr 11 2023

web robert j shiller princeton university press 2020 business economics 408 pages 1review reviews aren t verified but google checks for and removes fake content when

narrative economics how stories go viral and drive major - Dec 27 2021

narrative economics how stories go viral and drive major - Sep 04 2022

web from nobel prize winning economist and new york times bestselling author robert shiller a groundbreaking account of how stories help drive economic events and why

narrative economics how stories go viral and drive major - Jan 28 2022

robert shiller narrative economics how stories go - May 12 2023

web sep 1 2020 from nobel prize winning economist and new york times bestselling author robert shiller a groundbreaking account of how stories help drive economic

narrative economics how stories go viral and drive major - Mar 30 2022

narrative economics how stories go viral and drive major - Feb 09 2023

web jun 1 2021 pdf on jun 1 2021 carsten herrmann pillath published robert j shiller narrative economics how stories go viral drive major economic events find

narrative economics how stories go viral and drive major - Feb 26 2022

narrative economics how stories go viral and drive - Dec 07 2022

web jan 25 2021 robert shiller narrative economics how stories go viral and drive major economic events princeton university press 2019 authors stuart mackintosh

narrative economics how stories go viral and drive - Jan 08 2023

web narrative economics how stories go viral and drive major economic events roberto romani robert j shiller in his new book focuses on an issue of fundamental

robert j shiller narrative economics how stories go viral - Aug 03 2022

web jstor org stable j ctvdf0jm5 6 this book offers the beginnings of a new theory of economic change that introduces an important new element to the usual list of

narrative economics how stories go viral and drive major - Apr 30 2022

narrative economics how stories go viral and drive - Oct 05 2022

web narrative economics how stories go viral and drive major economic events audible audiobook unabridged robert j shiller author susan osman narrator robert j

narrative economics how stories go viral and drive major - Mar 10 2023

web nov 5 2019 using an array of historical examples and data shiller argues that studying popular stories that affect individual and collective economic behavior what he calls

robert shiller narrative economics how stories go viral and - Jun 01 2022

narrative economics how stories go viral and drive - Jul 14 2023

web jan 25 2021 mackintosh s p m robert shiller narrative economics how stories go viral and drive major economic events bus econ 56 108 109 2021

[narrative economics princeton university press](#) - Aug 15 2023

web jstor org stable j ctv10vm1xf 7 this book offers the beginnings of a new theory of economic change that introduces an important new element to the usual list of

pdf narrative economics how stories go viral and drive major - Jul 02 2022

web from nobel prize winning economist and new york times bestselling author robert shiller a groundbreaking account of how stories help drive economic events and why

narrative economics how stories go viral and drive - Jun 13 2023

web may 19 2021 narrative economics how stories go viral and drive major economic events by robert j shiller princeton princeton university press 2019 xxii x377 p

book review narrative economics how stories go - Nov 06 2022

web oct 1 2019 from nobel prize winning economist and new york times bestselling author robert shiller a new way to think about how popular stories help drive economic

bra penty bhai behan story pdf 2023 - Nov 05 2022

web mar 10 2023 bra penty bhai behan story pdf yeah reviewing a books bra penty bhai behan story pdf could add your close friends listings this is just one of the solutions for

apni behan ko maa banaya blogger - Aug 14 2023

web aug 12 2013 apni behan ko maa banaya august 12 2013 hi dear all readers please forgive me my english is very poor that s why i am writing this incident in hindi urdu main bombay main reh ta hoon hamari choti see family hai hum ghar main total 05 log

[download solutions bra penty bhai behan story](#) - Aug 02 2022

web bra penty bhai behan story south asian filmscapes nov 10 2021 in south asia massive anticolonial movements in the twentieth century created nation states and reset national

[sexy stories behan ki saheli ke baad behan ki jawani ka](#) - Feb 08 2023

web kia baat hai ek taraf tera bhai mujhe patane ki koshish karta hai dusri taraf tu main kidhar jayun tum dono bhai behan ke chakar mein main kahin ragadi na jayun bhai to lund

bra penty bhai behan story pdf pdf webdisk gestudy byu edu - Mar 09 2023

web mar 13 2023 bra penty bhai behan story pdf as recognized adventure as well as experience just about lesson amusement as competently as settlement can be gotten

free california notary exam practice 2023 prep guide - Jun 13 2023

web free ca notary exam practice a 2023 prep guide by iprep check out our free ca notary exam sample questions and ace get test

free sample questions cal notary world pdf uniport edu - Jan 28 2022

web aug 2 2023 free sample questions cal notary world 1 5 downloaded from uniport edu ng on august 2 2023 by guest free sample questions cal notary world yeah reviewing a book free sample questions cal notary world could build up your close associates listings this is just one of the solutions for you to be successful as

california notary public exam questions what i wish i knew - Oct 05 2022

web mar 28 2022 in this video i ll be sharing tips and strategies to help you pass the california notary public exam with flying colors the exam is a crucial step in becom

free sample questions cal notary world pdf - Apr 30 2022

web title free sample questions cal notary world pdf aveannamedicalsolutions buyerads com author dudley lydia created date 10 11 2023 12 02 50 am

free sample questions cal notary world pdf pdf - Aug 03 2022

web swaranjit singh 2017 06 11 the book contains 200 sample questions and answers to prepare applicants to pass the california state notary public examination to obtain their notary public commission an all out effort

exam prep practice exam calnotaryclass com - Sep 04 2022

web the technical storage or access is strictly necessary for the legitimate purpose of enabling the use of a specific service explicitly requested by the subscriber or user or for the sole purpose of carrying out the transmission of a communication over an electronic communications network

cost free california notary quiz practice 2023 prep guide - Jul 14 2023

web free california secretary try practice a 2023 prep guide by iprep check out our free ca notary exam sample questions plus ace your test

california notary practice exam 2023 notary public seminars - Feb 09 2023

web are you ready to pass your official california state exam use these 3 tools to give you the edge you need to pass on the first attempt current practice exam key points study guide ca notary fines cheat sheet

free sample questions cal notary world pdf uniport edu - Mar 30 2022

web aug 15 2023 notice free sample questions cal notary world can be one of the options to accompany you when having additional time it will not waste your time receive me the e book will no question tell you

220 california notary public test q a 2023 free access - Aug 15 2023

web ans the entire state of ca q a possible penalty for committing perjury is ans 2 years in prison 3 years in prison 4 years in prison q you have how many days to take your oath of office after your commencement date ans 30 days q if you request a new certificate of authorization the state of california must respond within ans 5 days

[notary free practice exam 2022 notary classes website](#) - Apr 11 2023

web take our free 2022 2023 practice notary exam three separate exams to test your knowledge state exam increases fom 30 to 45 questions notary classes available 24 7

free sample questions cal notary world pdf - Feb 26 2022

web free sample questions cal notary world yeah reviewing a ebook free sample questions cal notary world could ensue your near connections listings this is just one of the solutions for you to be successful as understood achievement does not suggest that you have fabulous points

california notary practice exam questions 2020 flashcards - Jan 08 2023

web study with quizlet and memorize flashcards containing terms like since there is no prescribed wording for an oath what would be an acceptable oath to clear a background check the state law requires all applicants to be in which county does the notary applicant take subscribe and file an oath of office and file a 15 000 surety bond and

online practice exam questions notaries unlimited - May 12 2023

web studying these questions will prepare you to pass the california notary exam learn the answers to each question and the reasoning behind the question answer the questions without looking at any notes and then review do this practice exam over until you are getting at least 90 correct

notary practice test california 2023 calnotaryclass com - Mar 10 2023

web a good practice exam can help the potential notary public to test their knowledge by answering practice exam questions to help the test taker to know what material needs to be studied in more detail and a free notary exam practice test is [free california notary exam practice 2023 preview guide](#) - Nov 06 2022

web jan 28 2020 available california law exam practice a 2023 preparation guide for iprep get out our free ca notary examination sample questions and ace your test

[free sample questions cal notary world pdf uniport edu](#) - Jun 01 2022

web jun 30 2023 this info get the free sample questions cal notary world associate that we manage to pay for here and check out the link you could purchase lead free sample questions cal notary world or get it as soon as feasible you could quickly download this free sample questions cal notary world after getting deal so considering you require

[free sample questions cal notary world pdf 2023](#) - Jul 02 2022

web free sample questions cal notary world pdf is understandable in our digital library an online entrance to it is set as

public fittingly you can download it instantly our digital library saves in complex countries allowing you to acquire the most less latency era to download any of our books