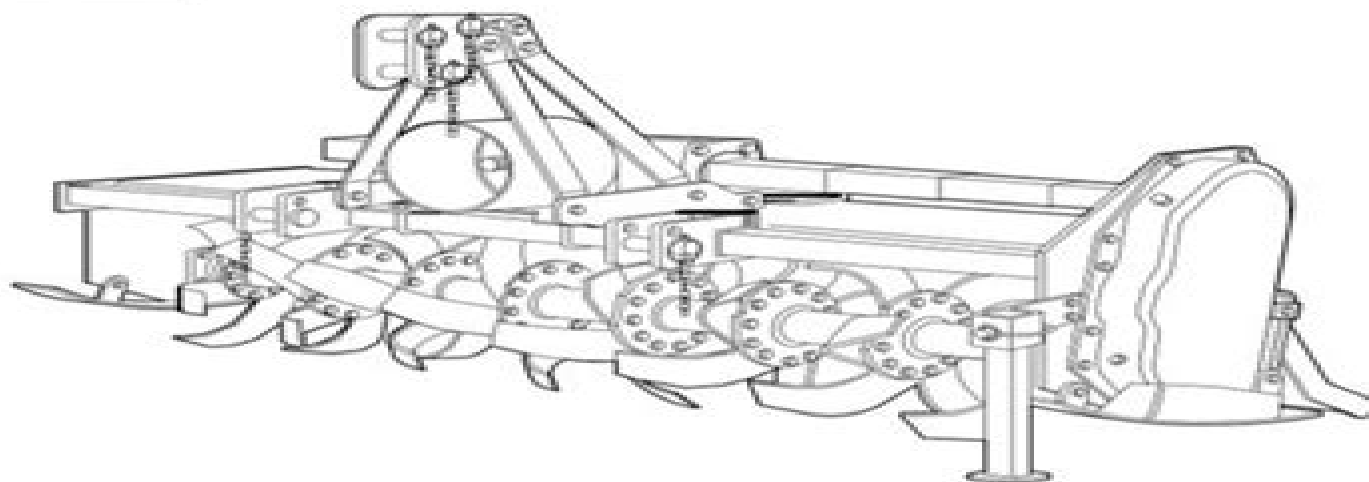


ОБЪЕДИНИТЕ СЕБЕ

# ROTARY TILLERS

RT 1060 E

RT 1070 E



**FRONTIER.**

Cod. F07010183 / Rev. 00 (2005-01)

# Power Tiller Operator Manual

**lafc**



## **Power Tiller Operator Manual:**

*WinDASI User Manual* ,2000-01-01 Includes CD ROM      **Operation Manual** Kaigai Gijutsu Kyōryoku Jigyōdan,1966  
**Operator and Organizational Maintenance Manual** ,1991      *Pathogen Risk Assessment for Land Application of Municipal Sludge: User's manual* ,1990      General Construction Equipment Operator United States. Department of the Army,1979      **Power Tiller Research and Industry in India** A. C. Varshney,1995      **Fire Apparatus Driver/operator** Iafc,2015      **Fire Apparatus Driver/Operator: Pump, Aerial, Tiller, and Mobile Water Supply** Iafc,2018-04-16 The National Fire Protection Association NFPA and the International Association of Fire Chiefs IAFC are pleased to bring you Fire Apparatus Driver Operator Pump Aerial Tiller and Mobile Water Supply Third Edition This third edition of Fire Apparatus Driver Operator has been thoroughly updated to serve as a complete training solution that addresses pump operation safe driving techniques tiller and aerial apparatus operation and water supply considerations From basic apparatus maintenance to fire pump theory and advanced hydraulic calculations this single manual covers everything a fire service driver operator needs to know Fire Apparatus Driver Operator Pump Aerial Tiller and Mobile Water Supply Third Edition meets and exceeds the job performance requirements JPRs of Chapters 4 5 6 7 and 10 of the 2017 Edition of NFPA 1002 Fire Apparatus Driver Operator Professional Qualifications In the 2017 edition the requirement that a Driver Operator be certified to the Fire Fighter I level was removed However JPRs from NFPA 1001 Standard for Fire Fighter Professional Qualifications have been added so driver operators who operate pumpers and mobile water supply apparatus are able to operate outside of the immediate dangers to life and health IDLH but still have an understanding of the following Fire Fighter I topics Fire Department Communications NFPA 1001 5 2 1 5 2 2 5 2 3 The General Knowledge Requirements NFPA 1001 5 1 1 Responding on an Apparatus to an Emergency Scene NFPA 1001 5 3 2 Connect a Fire Department Pumper to a Water Supply NFPA 1001 5 3 15 Additional appendices include the excerpt of NFPA 1002 and corresponding correlation matrixes to substantiate all JPRs that are covered and documented Comprehensive and updated content in this edition includes Nozzle reaction and how to calculate itExpanded coverage of pump anatomy and pressure control devicesContent that addresses vital parts of NFPA 1901 Standard for Automotive Fire Apparatus and NFPA 1911 Standard for the Inspection Maintenance Testing and Retirement of In Service Automotive Fire Apparatus Appendix A Daily Weekly Inspection Check Sheet that provides a comprehensive overview on what to inspect and how to ensure your apparatus is at operational readiness  
**Monthly Catalogue, United States Public Documents** ,1993-02      **The Naval Artificer's Manual** ,1918

Immerse yourself in the artistry of words with Crafted by is expressive creation, **Power Tiller Operator Manual** . This ebook, presented in a PDF format ( \*), is a masterpiece that goes beyond conventional storytelling. Indulge your senses in prose, poetry, and knowledge. Download now to let the beauty of literature and artistry envelop your mind in a unique and expressive way.

[https://crm.avenza.com/book/book-search/fetch.php/royal\\_spas\\_manual.pdf](https://crm.avenza.com/book/book-search/fetch.php/royal_spas_manual.pdf)

## **Table of Contents Power Tiller Operator Manual**

1. Understanding the eBook Power Tiller Operator Manual
  - The Rise of Digital Reading Power Tiller Operator Manual
  - Advantages of eBooks Over Traditional Books
2. Identifying Power Tiller Operator Manual
  - Exploring Different Genres
  - Considering Fiction vs. Non-Fiction
  - Determining Your Reading Goals
3. Choosing the Right eBook Platform
  - Popular eBook Platforms
  - Features to Look for in an Power Tiller Operator Manual
  - User-Friendly Interface
4. Exploring eBook Recommendations from Power Tiller Operator Manual
  - Personalized Recommendations
  - Power Tiller Operator Manual User Reviews and Ratings
  - Power Tiller Operator Manual and Bestseller Lists
5. Accessing Power Tiller Operator Manual Free and Paid eBooks
  - Power Tiller Operator Manual Public Domain eBooks
  - Power Tiller Operator Manual eBook Subscription Services
  - Power Tiller Operator Manual Budget-Friendly Options

6. Navigating Power Tiller Operator Manual eBook Formats
  - ePub, PDF, MOBI, and More
  - Power Tiller Operator Manual Compatibility with Devices
  - Power Tiller Operator Manual Enhanced eBook Features
7. Enhancing Your Reading Experience
  - Adjustable Fonts and Text Sizes of Power Tiller Operator Manual
  - Highlighting and Note-Taking Power Tiller Operator Manual
  - Interactive Elements Power Tiller Operator Manual
8. Staying Engaged with Power Tiller Operator Manual
  - Joining Online Reading Communities
  - Participating in Virtual Book Clubs
  - Following Authors and Publishers Power Tiller Operator Manual
9. Balancing eBooks and Physical Books Power Tiller Operator Manual
  - Benefits of a Digital Library
  - Creating a Diverse Reading Collection Power Tiller Operator Manual
10. Overcoming Reading Challenges
  - Dealing with Digital Eye Strain
  - Minimizing Distractions
  - Managing Screen Time
11. Cultivating a Reading Routine Power Tiller Operator Manual
  - Setting Reading Goals Power Tiller Operator Manual
  - Carving Out Dedicated Reading Time
12. Sourcing Reliable Information of Power Tiller Operator Manual
  - Fact-Checking eBook Content of Power Tiller Operator Manual
  - Distinguishing Credible Sources
13. Promoting Lifelong Learning
  - Utilizing eBooks for Skill Development
  - Exploring Educational eBooks
14. Embracing eBook Trends
  - Integration of Multimedia Elements

- Interactive and Gamified eBooks

### **Power Tiller Operator Manual Introduction**

Power Tiller Operator Manual Offers over 60,000 free eBooks, including many classics that are in the public domain. Open Library: Provides access to over 1 million free eBooks, including classic literature and contemporary works. Power Tiller Operator Manual Offers a vast collection of books, some of which are available for free as PDF downloads, particularly older books in the public domain. Power Tiller Operator Manual : This website hosts a vast collection of scientific articles, books, and textbooks. While it operates in a legal gray area due to copyright issues, its a popular resource for finding various publications. Internet Archive for Power Tiller Operator Manual : Has an extensive collection of digital content, including books, articles, videos, and more. It has a massive library of free downloadable books. Free-eBooks Power Tiller Operator Manual Offers a diverse range of free eBooks across various genres. Power Tiller Operator Manual Focuses mainly on educational books, textbooks, and business books. It offers free PDF downloads for educational purposes. Power Tiller Operator Manual Provides a large selection of free eBooks in different genres, which are available for download in various formats, including PDF. Finding specific Power Tiller Operator Manual, especially related to Power Tiller Operator Manual, might be challenging as theyre often artistic creations rather than practical blueprints. However, you can explore the following steps to search for or create your own Online Searches: Look for websites, forums, or blogs dedicated to Power Tiller Operator Manual, Sometimes enthusiasts share their designs or concepts in PDF format. Books and Magazines Some Power Tiller Operator Manual books or magazines might include. Look for these in online stores or libraries. Remember that while Power Tiller Operator Manual, sharing copyrighted material without permission is not legal. Always ensure youre either creating your own or obtaining them from legitimate sources that allow sharing and downloading. Library Check if your local library offers eBook lending services. Many libraries have digital catalogs where you can borrow Power Tiller Operator Manual eBooks for free, including popular titles. Online Retailers: Websites like Amazon, Google Books, or Apple Books often sell eBooks. Sometimes, authors or publishers offer promotions or free periods for certain books. Authors Website Occasionally, authors provide excerpts or short stories for free on their websites. While this might not be the Power Tiller Operator Manual full book , it can give you a taste of the authors writing style. Subscription Services Platforms like Kindle Unlimited or Scribd offer subscription-based access to a wide range of Power Tiller Operator Manual eBooks, including some popular titles.

---

## FAQs About Power Tiller Operator Manual Books

1. Where can I buy Power Tiller Operator Manual books? Bookstores: Physical bookstores like Barnes & Noble, Waterstones, and independent local stores. Online Retailers: Amazon, Book Depository, and various online bookstores offer a wide range of books in physical and digital formats.
2. What are the different book formats available? Hardcover: Sturdy and durable, usually more expensive. Paperback: Cheaper, lighter, and more portable than hardcovers. E-books: Digital books available for e-readers like Kindle or software like Apple Books, Kindle, and Google Play Books.
3. How do I choose a Power Tiller Operator Manual book to read? Genres: Consider the genre you enjoy (fiction, non-fiction, mystery, sci-fi, etc.). Recommendations: Ask friends, join book clubs, or explore online reviews and recommendations. Author: If you like a particular author, you might enjoy more of their work.
4. How do I take care of Power Tiller Operator Manual books? Storage: Keep them away from direct sunlight and in a dry environment. Handling: Avoid folding pages, use bookmarks, and handle them with clean hands. Cleaning: Gently dust the covers and pages occasionally.
5. Can I borrow books without buying them? Public Libraries: Local libraries offer a wide range of books for borrowing. Book Swaps: Community book exchanges or online platforms where people exchange books.
6. How can I track my reading progress or manage my book collection? Book Tracking Apps: Goodreads, LibraryThing, and Book Catalogue are popular apps for tracking your reading progress and managing book collections. Spreadsheets: You can create your own spreadsheet to track books read, ratings, and other details.
7. What are Power Tiller Operator Manual audiobooks, and where can I find them? Audiobooks: Audio recordings of books, perfect for listening while commuting or multitasking. Platforms: Audible, LibriVox, and Google Play Books offer a wide selection of audiobooks.
8. How do I support authors or the book industry? Buy Books: Purchase books from authors or independent bookstores. Reviews: Leave reviews on platforms like Goodreads or Amazon. Promotion: Share your favorite books on social media or recommend them to friends.
9. Are there book clubs or reading communities I can join? Local Clubs: Check for local book clubs in libraries or community centers. Online Communities: Platforms like Goodreads have virtual book clubs and discussion groups.
10. Can I read Power Tiller Operator Manual books for free? Public Domain Books: Many classic books are available for free as they're in the public domain. Free E-books: Some websites offer free e-books legally, like Project Gutenberg or Open Library.

**Find Power Tiller Operator Manual :**

**royal spas manual**

**rs aggarwal 10th maths solutions without registering**

*rumi the book of love*

ruud awakening a john ruud mystery

rutland lathe manual

**rumble in va2**

*rtlo18718b repair manual*

**rs aggarwal mathematics**

russian prey assassinshifter book english edition

*royally screwed daddy s girl 100 kindle unlimited erotic tales*

rtac defensive driver answer sheet

ruby sapphire system manual

**ruud 84 hrv100 manual**

~~rxp service manual~~

rust english edition

**Power Tiller Operator Manual :**

Elsevier eBook on VitalSource, 8th Edition Anatomy & Physiology - Elsevier eBook on VitalSource, 8th Edition. by Kevin T. Patton, PhD and Gary A. Thibodeau, PhD. Elsevier eBook on VitalSource. cover ... Anatomy & Physiology by Patton PhD, Kevin T. Mosby; 8th edition (April 10, 2012). Language, English. Hardcover, 1240 pages ... The best book ever, poorly packaged!! Reviewed in the United Kingdom on May ... Anatomy and Physiology by Patton & Thibodeau If you are looking for an actual anatomy of the human body in pictures, then this is the book for you. It is very nice and vivid. I am thankful I bought ... Anatomy and Physiology Online for The Human ... Anatomy and Physiology Online for The Human Body in Health & Disease, 8th Edition. by Kevin T. Patton, PhD, Frank B. ... Physiology Online for The Human Body in ... Anatomy & Physiology 8th Edition Patton A book that has been read but is in good condition. Very minimal damage to the cover including scuff marks, but no holes or tears. Essentials of Anatomy and Physiology, 8th Edition The signature reader approach to Anatomy and Physiology! The student-friendly language and engaging art style of this text offer a wealth of learning ... Anatomy and Physiology by Patton & Thibodeau, 8th Edition Anatomy and Physiology by Patton & Thibodeau, 8th Edition. The code inside



the book is not used. It also comes with brief atlas of the human body book. The Human Body in Health & Disease - Softcover: 8th edition Oct 3, 2023 — Kevin T. Patton, PhD, Professor Emeritus, Life Sciences, St. Charles Community College Cottleville, MO Professor of Human Anatomy & Physiology ... Anatomy and Physiology Online for ... Anatomy and Physiology Online for Anatomy and Physiology (Access Code) by Patton PhD, Kevin T.; Thibodeau PhD, Gary A ... 8th edition. 4 pages. 9.00x0.01x6.00 ... State of Texas Procurement and Contract Management Guide The guide provides a framework for navigating the complexities of Texas procurement law and offers practical, step-by-step guidance to ensure agencies ... State of Texas Procurement and Contract Management Guide Jun 1, 2018 — Page 1. STATE OF TEXAS. PROCUREMENT AND CONTRACT. MANAGEMENT GUIDE. STATEWIDE PROCUREMENT ... manual for implementing the requirements of the ... Procurement and Contract Management Handbook The Office of the Attorney General (OAG) Procurement and Contract. Operations Division (PCO) is responsible for managing the procurement. Procurement & Contract Management Guide Procurement and Contracting Services (PCS) will regularly update this guide, based on changes in contracting laws, regulations, and policies. TMB utilizes the ... Texas Administrative Code Procurement Manual and Contract Management Guide. §20.132, Compliance. §20.133, Training and Certification Program. Link to Texas Secretary of State Home Page ... PROCUREMENT MANUAL This Manual discusses these procurement methods in detail. Texas state law does, however, provide a number of exceptions to procurement requirements. For ... Texas Municipal Procurement Laws Made Easy A city is not required to comply with competitive bidding procedures when purchasing personal property at an auction by a state licensed auctioneer. 211. 87 ... Contract Management Handbook Credibility and public confidence are vital throughout the purchasing and contracting system.” The CPA's State of Texas Procurement Manual, Section 1.2. 4.1. Policies and Procedures : Procurement & Strategic Sourcing Texas State Financial Services Procurement & Strategic Sourcing How to Purchase Policies and Procedures. Policies and Procedures. Texas State University ... Texas Administrative Code Purchases of goods and services may be made in accordance with the following provisions. (A) State agencies must solicit at least three informal bids, including ... Tons of Free PMP® Practice Questions Another set of 180 PMP exam practice questions as a downloadable pdf file. ... 10 free questions, dedicated to the 2021-version of the exam by Christopher Scordo. 7000+ Best Free for PMP Sample Questions [PMBOK 5] Here's a list of more than 7000 best free sample questions based on PMBOK® Guide, 5th Edition for the PMP certification exam from more than 60 sources around ... Looking for PMP Exam Prep e-book by Christopher Scordo Oct 14, 2016 — ... PMP Exam Prep e-book by Christopher Scordo. Do you need ... free download by PMI members: PMP Exam Prep: Questions, Answers, & Explanations by Christopher Scordo. Top Free PMP Exam Questions & Practice Tests of 2023 Free PMP exam questions: Practice online mock tests free of cost. Find sample questions simulators and downloadable pdf. PMP Exam Prep Christopher Scordo PDF PMP Exam Prep—Questions, Answers & Explanations, 2013 Edition ... questions and answers carefully, then you should be able to piece together which is the ... PMP Exam Prep:

Questions, Answers, & Explanations PMP Exam Prep: Questions, Answers, & Explanations: 1000+ Practice Questions with Detailed Solutions [Scordo, Christopher] on Amazon.com. \*FREE\* shipping on ... By Christopher Scordo - PMP Exam Prep Questions ... By Christopher Scordo - PMP Exam Prep Questions, Answers, & Explanations: 1000+ PMP ... Download app for iOS Download app for Android. © 2023 Goodreads, Inc. PMP Exam Prep Questions-Answers and Explanations ... PMP Exam Prep Questions-Answers and Explanations 2013 Edition · Author / Uploaded · Ritu ... PMP Exam Prep: Questions, Answers, & Explanations Look inside this book. PMP Exam Prep: Questions, Answers, & Explanations: 1000+ Practice Questions with. Christopher Scordo. PMP Exam Prep: Questions, Answers ... PMP Practice Exam 1 | Free PMP Exam Questions This PMP practice exam includes 50 challenging questions with detailed explanations. These free PMP exam questions are great for your test prep and review.